

ENGINEERING
TOMORROW

Danfoss

Danfoss Power Solutions presents

e-book

**Orbital Motor
Portfolio**

Navigate through this e-book
by **clicking** on the different icons



START HERE



O-series



Flexible beyond compare

- Delivering premium power across the board
- Motors cover small to large, medium to heavy-duty needs
- Pressure capability up to 280 bar [4,061 psi]

W-series



The cost-competitive option

- The W-series is a competitive fit at a competitive price in low to medium-duty cycle applications
- High reliability and pressure ratings from 160-207 bar [2,320-3,000 psi]

Orbital X



The new generation of OMP and OMR motors

- A modular platform, and form and fit with your existing applications
- Improves performance
- Reduces total cost of ownership

R-series



An outstanding performer in a wide range of applications

- Highly efficient and dependable
- The rugged motors are especially suited for low flow and high pressure situations
- A perfect fit for use in the mobile hydraulic market

T-series



For tough applications

- With pressure capability up to 350 bar [5,080 psi]
- High starting torque
- The energy-efficient choice for the toughest working environments

kW version	HP version	Nm version	ft lb version
------------	------------	------------	---------------

Orbital Motor Portfolio (kW)

O OML 1-3 kW

O OMM 2-3 kW

W WP 5-13 kW

X OMP X 5-14 kW

W WR 7-17 kW

X OMR X 7-18 kW

O OMEW 12-16 kW

O OMH 4-17 kW

W WS 10-22 kW

O OMS 9-23 kW

R RE 5-24 kW

T TMK 13-27 kW

O OMT 27-40 kW

T TMK 27-51 kW

O OMV 43-64 kW

T TMTHW 50-65 kW

T TMVW 67-112 kW

These stand-alone spring applied, hydraulic release brakes provide safe stopping capabilities in many critical machine functions. These brakes provide 225-1,500 Nm [2,000-13,300 lb-in] of reliable holding torque.



B 225-1,500 Nm
Stand alone brakes

APPLICATIONS



O-series



Flexible beyond compare

- Delivering premium power across the board
- Motors cover small to large, medium to heavy-duty needs
- Pressure capability up to 280 bar [4,061 psi]

W-series



The cost-competitive option

- The W-series is a competitive fit at a competitive price in low to medium-duty cycle applications
- High reliability and pressure ratings from 160-207 bar [2,320-3,000 psi]

Orbital X



The new generation of OMP and OMR motors

- A modular platform, and form and fit with your existing applications
- Improves performance
- Reduces total cost of ownership

R-series



An outstanding performer in a wide range of applications

- Highly efficient and dependable
- The rugged motors are especially suited for low flow and high pressure situations
- A perfect fit for use in the mobile hydraulic market

T-series



For tough applications

- With pressure capability up to 350 bar [5,080 psi]
- High starting torque
- The energy-efficient choice for the toughest working environments

kW version	HP version	Nm version	ft lb version
------------	------------	------------	---------------

Orbital Motor Portfolio (HP)

O OML 1-4 HP

O OMM 3-4 HP

W WP 7-17 HP

X OMP X 7-19 HP

W WR 9-23 HP

X OMR X 9-24 HP

O OMEW 16-21 HP

O OMH 5-23 HP

W WS 13-30 HP

O OMS 12-31 HP

R RE 7-32 HP

T TMK 17-36 HP

O OMT 36-54 HP

T TMK 36-68 HP

O OMV 58-86 HP

T TMTHW 67-87 HP

T TMVW 90-150 HP

These stand-alone spring applied, hydraulic release brakes provide safe stopping capabilities in many critical machine functions. These brakes provide 225-1,500 Nm [2,000-13,300 lb-in] of reliable holding torque.



B 225-1,500 Nm
Stand alone brakes

APPLICATIONS



O-series



Flexible beyond compare

- Delivering premium power across the board
- Motors cover small to large, medium to heavy-duty needs
- Pressure capability up to 280 bar [4,061 psi]

W-series



The cost-competitive option

- The W-series is a competitive fit at a competitive price in low to medium-duty cycle applications
- High reliability and pressure ratings from 160-207 bar [2,320-3,000 psi]

Orbital X



The new generation of OMP and OMR motors

- A modular platform, and form and fit with your existing applications
- Improves performance
- Reduces total cost of ownership

R-series



An outstanding performer in a wide range of applications

- Highly efficient and dependable
- The rugged motors are especially suited for low flow and high pressure situations
- A perfect fit for use in the mobile hydraulic market

T-series



For tough applications

- With pressure capability up to 350 bar [5,080 psi]
- High starting torque
- The energy-efficient choice for the toughest working environments

kW version	HP version	Nm version	ft lb version
------------	------------	------------	---------------

Orbital Motor Portfolio (Nm)

O OML 5-51 Nm

O OMM 7-88 Nm

W WP 35-460 Nm

X OMP X 35-480 Nm

W WR 93-530 Nm

X OMR X 85-550 Nm

O OMEW 230-870 Nm

O OMH 255-540 Nm

W WS 230-970 Nm

O OMS 180-1,000 Nm

R RE 327-1,291 Nm

T TMK 430-1,400 Nm

O OMT 340-1,370 Nm

T TMT 780-2,420 Nm

O OMV 710-2,110 Nm

T TMTHW 910-3,510 Nm

T TMVW 1,245-3,400 Nm

These stand-alone spring applied, hydraulic release brakes provide safe stopping capabilities in many critical machine functions. These brakes provide 225-1,500 Nm [2,000-13,300 lb-in] of reliable holding torque.



B 225-1,500 Nm Stand alone brakes

APPLICATIONS



Salt Spreaders
WOX



Sweepers & Scrubbers
WORXT



Lawn & Turf
WOTB



Harvesters
WORX



Compact Wheel Loaders
WORXT



Mobile Elevating Work Platforms
ORB



Road Building Machinery
WOXT



Skid Steer Loaders
WORXTB



Forestry Machinery
OT

O-series



Flexible beyond compare

- Delivering premium power across the board
- Motors cover small to large, medium to heavy-duty needs
- Pressure capability up to 280 bar [4,061 psi]

W-series



The cost-competitive option

- The W-series is a competitive fit at a competitive price in low to medium-duty cycle applications
- High reliability and pressure ratings from 160-207 bar [2,320-3,000 psi]

Orbital X



The new generation of OMP and OMR motors

- A modular platform, and form and fit with your existing applications
- Improves performance
- Reduces total cost of ownership

R-series



An outstanding performer in a wide range of applications

- Highly efficient and dependable
- The rugged motors are especially suited for low flow and high pressure situations
- A perfect fit for use in the mobile hydraulic market

T-series



For tough applications

- With pressure capability up to 350 bar [5,080 psi]
- High starting torque
- The energy-efficient choice for the toughest working environments

kW version	HP version	Nm version	ft lb version
------------	------------	------------	---------------

Orbital Motor Portfolio (ft lb)

O OML 4-38 ft lb

O OMM 5-65 ft lb

W WP 26-339 ft lb

X OMP X 26-354 ft lb

W WR 969-391 ft lb

X OMR X 63-406 ft lb

O OMEW 170- ft lb

O OMH 188-398 ft lb

W WS 170-715 ft lb

O OMS 133-738 ft lb

R RE 241-952 ft lb

T TMK 317-1,033 ft lb

O OMT 251-1,010 ft lb

T TMT 575-1,785 ft lb

O OMV 524-1,556 ft lb

T TMTHW 671-2,589 ft lb

T TMVW 918-2,508 ft lb

These stand-alone spring applied, hydraulic release brakes provide safe stopping capabilities in many critical machine functions. These brakes provide 225-1,500 Nm [2,000-13,300 lb-in] of reliable holding torque.



B 225-1,500 Nm
Stand alone brakes

APPLICATIONS



Salt Spreaders
WOX



Sweepers & Scrubbers
WORXT



Lawn & Turf
WOTB



Harvesters
WORX



Compact Wheel Loaders
WORXT



Mobile Elevating Work Platforms
ORB



Road Building Machinery
WOXT



Skid Steer Loaders
WORXTB



Forestry Machinery
OT



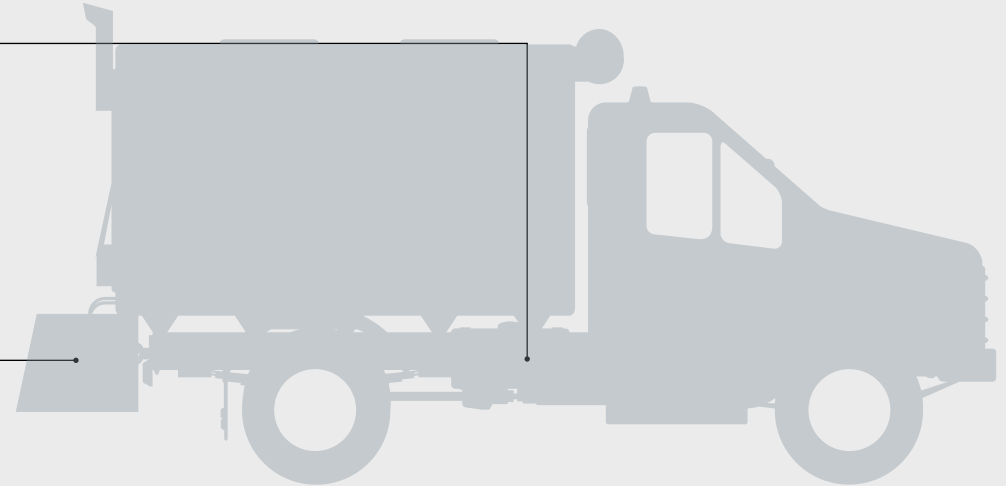
Salt Spreaders / Augers / Conveyors / Dispensings

Augers / Conveyors **W O X**

- Optimize efficiency over the life of the application – maintain right dosage of salt
- Bearings, shaft seal, and seal protector guarantee long life in harsh conditions

Spreaders / Spinners **W O**

- Optimize efficiency over the life of the application – maintain right dosage of salt
- Bearings, shaft seal, and seal protector guarantee long life in harsh conditions
- High torque for crushing lumps of salt





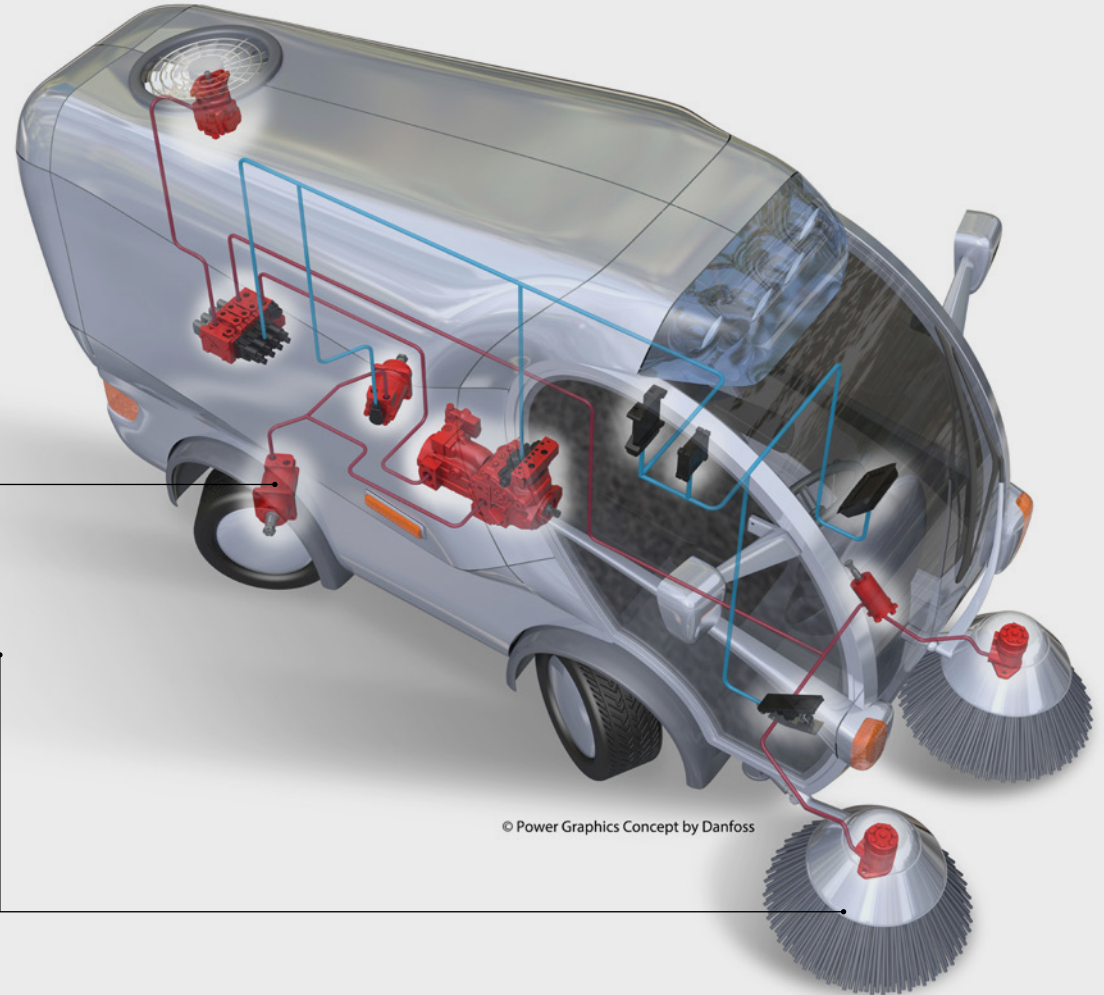
Sweepers & Scrubbers

Traction Motors **O T**

- Take advantage of efficiency, durability and starting torque
- Wheel mount and shaft mount
- Integrated brakes and loop flushing
- Speed sensor compatibility

Broom / Brush Motors **W O R X**

- Full range of motors for any duty cycle
- Optimize efficiency over the life of the application – maintain broom / brush speed
- Bearings, shaft seal, and seal protector guarantee long life in harsh conditions





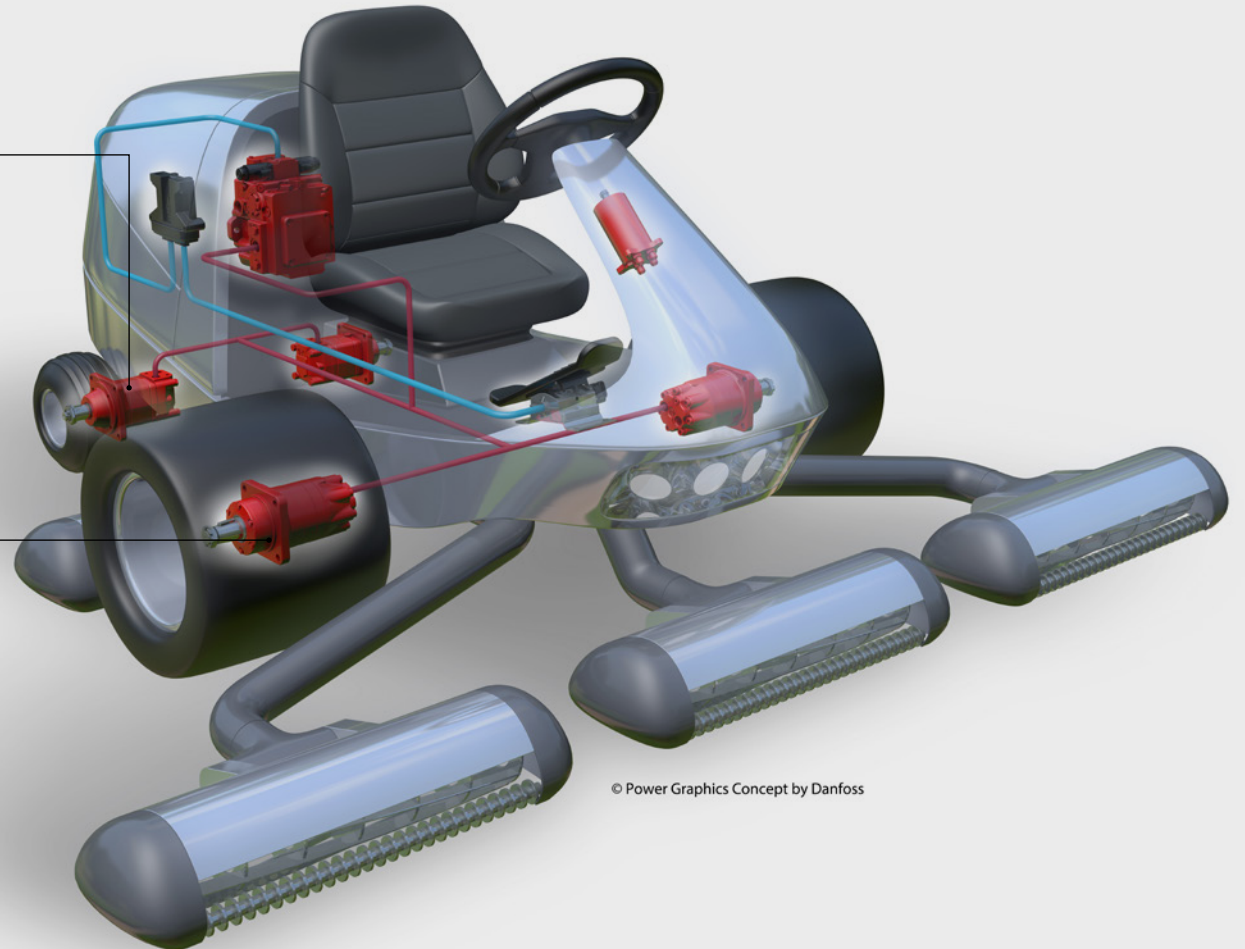
Lawn & Turf

Traction Motors **W O T**

- Take advantage of efficiency, durability and high starting torque
- Wheel mount and shaft mount
- Integrated brakes and loop flushing
- High bearing capacity
- Outstanding motor efficiency for reduced fuel consumption

Brakes **B**

- Integrated or stand alone brakes
- Spring applied – hydraulic release
- Up to 2,000 Nm of reliable holding torque



© Power Graphics Concept by Danfoss



Harvesters

Chaff Spreaders

W O X

- High torque and consistent speed
- Speed sensor compatibility
- High pressure shaft seals
- Seal protector available

Auger / Belt Drive Motors

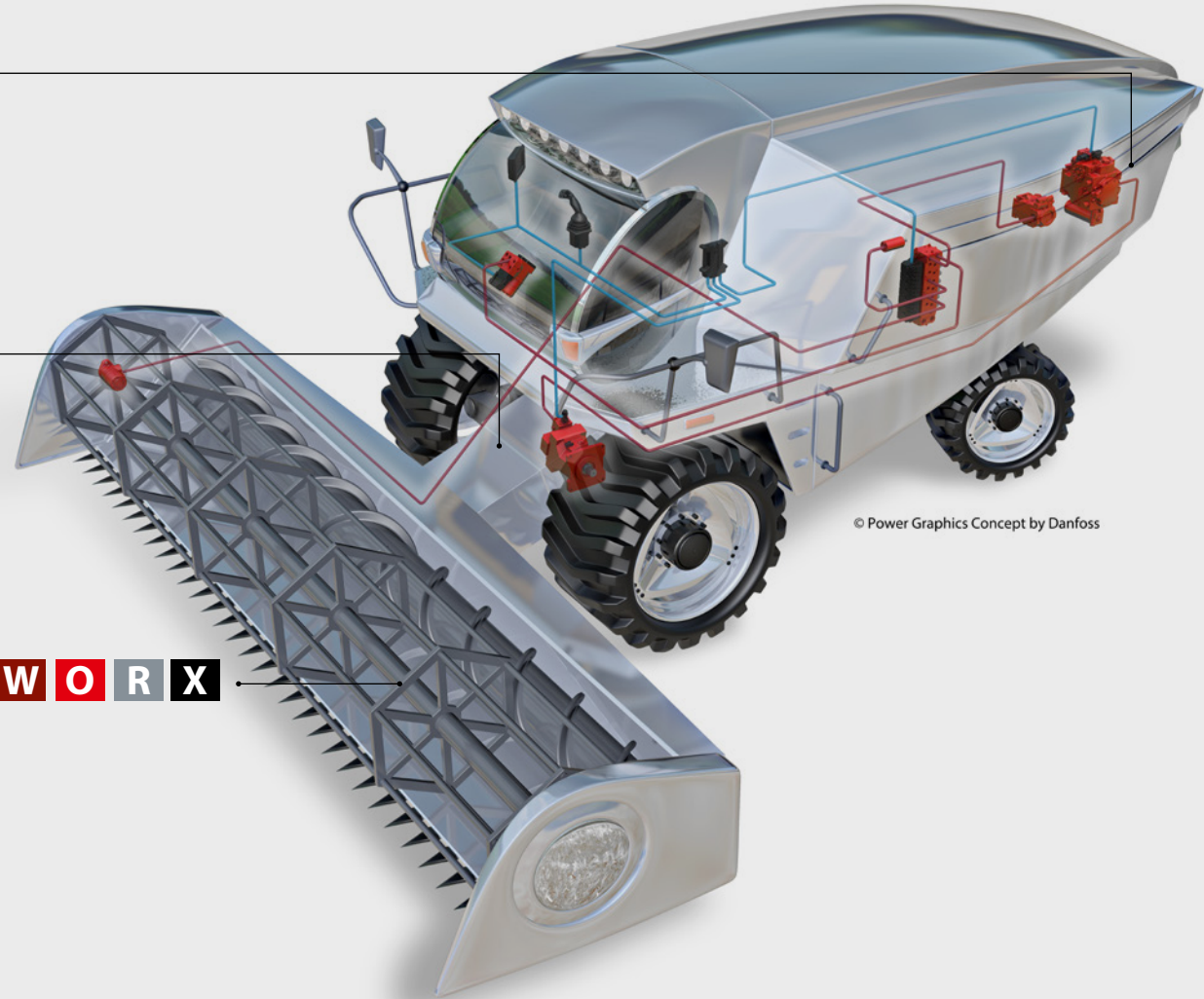
W O X

- Industry-leading torque
- High pressure shaft seal for series operation
- Bearing packages for high radial loads
- Seal protector available

Header / Side Cutter / Reel Drive Motors

W O R X

- Full range of motors for any duty cycle. Sugar cane, wheat, sorghum, beets
- Optimize efficiency over the life of the application
- Bearings, shaft seal, and seal protector guarantee long life in harsh conditions
- Speed sensor capability allows you to know exactly how the machine is performing or adjust for different crops



© Power Graphics Concept by Danfoss



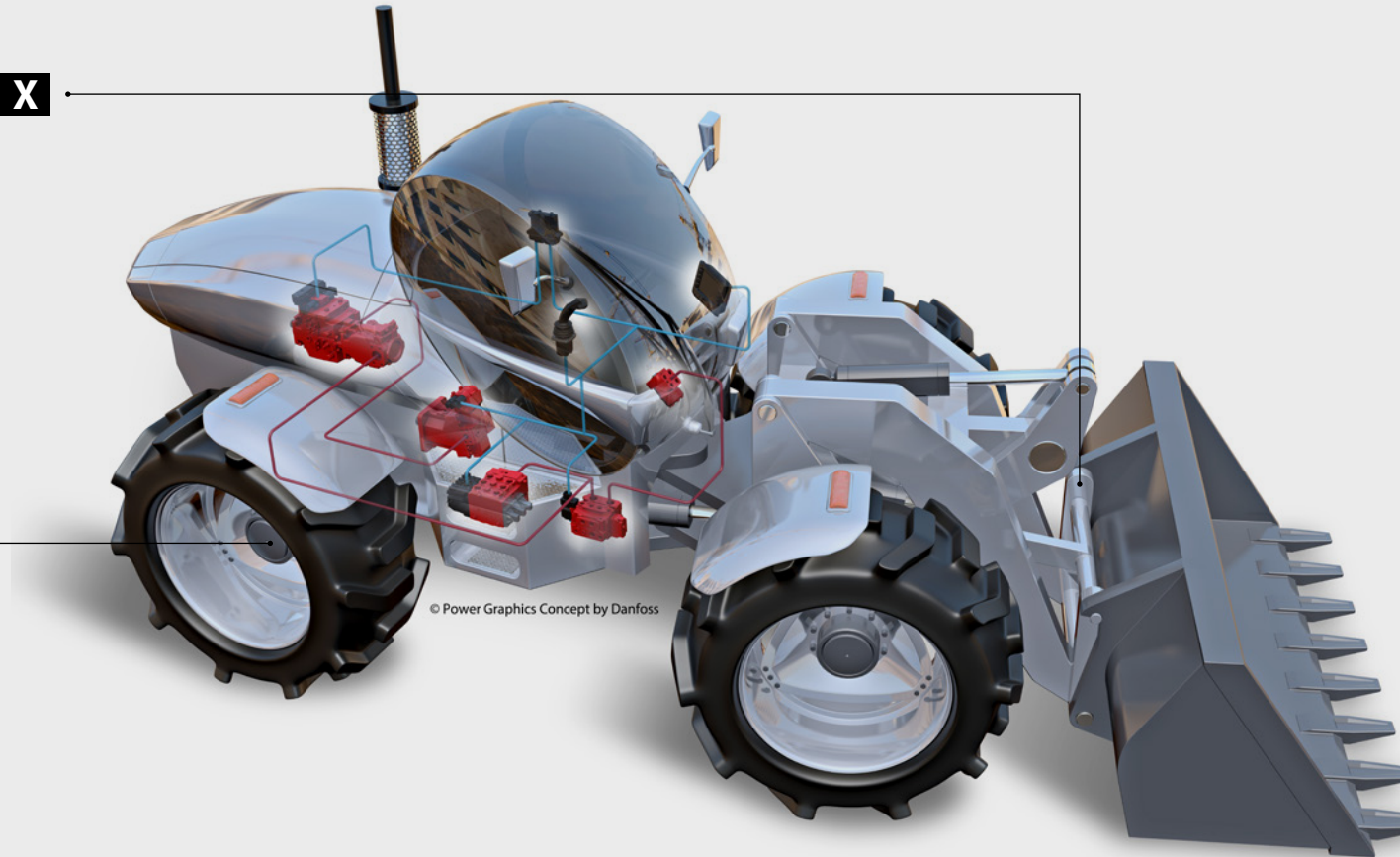
Compact Wheel Loaders

Work Tool Motors **W O R X**

- Full range of motors for any duty cycle
- Optimize efficiency over the life of the application
- Bearings, shaft seal, and seal protector guarantee long life in harsh conditions

Traction Motors **T O**

- Take advantage of efficiency, durability and starting torque
- High bearing capacity
- Outstanding motor efficiency for reduced fuel consumption
- Wheel mount and shaft mount
- Integrated brakes and loop flushing





Mobile Elevating Work Platforms

Traction Motors **O** **R**

- High efficiencies at low speeds allows the application to move smoothly even when climbing a ramp at low speeds
- Take advantage of efficiency, durability and starting torque
- Wheel mount and shaft mount
- Integrated brakes and loop flushing

Brakes **B**

- Integrated or stand alone brakes
- Spring applied – hydraulic release
- Up to 2,000 Nm of reliable holding torque



© Power Graphics Concept by Danfoss



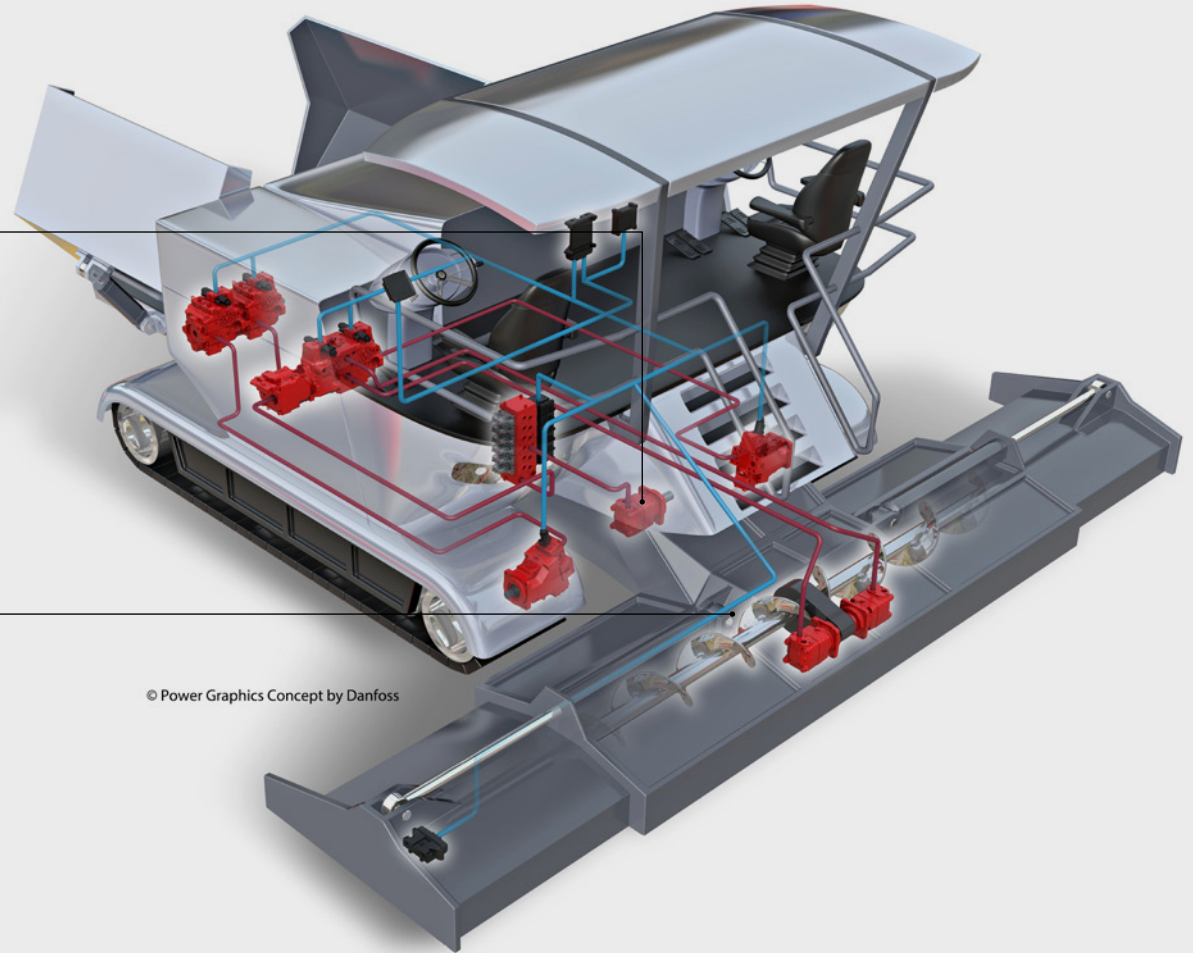
Road Building Machinery

Conveyer / Belt Drive **W O X**

- Full range of motors for any duty cycle
- Optimize efficiency over the life of the application – maintain constant flow
- Bearings, shaft seal, and seal protector guarantee long life in harsh conditions

Auger / Screed Motors **O R**

- Full range of motors for any duty cycle
- Optimize efficiency over the life of the application – maintain flow
- Bearings, shaft seal, and seal protector guarantee long life in harsh conditions



© Power Graphics Concept by Danfoss



Skid Steer Loaders / Multi-Terrain Loaders

Work Tool Motors **W O R X**

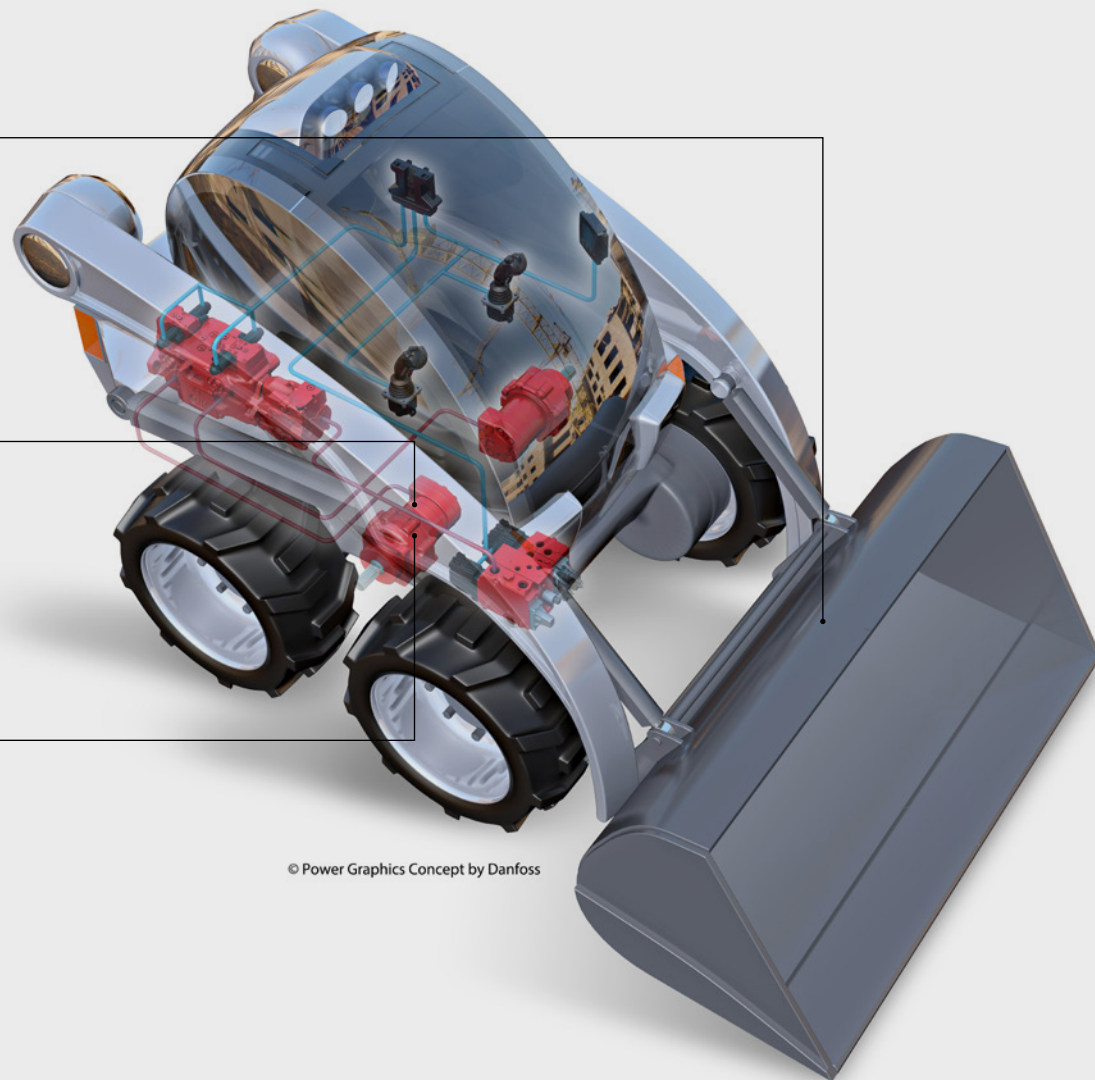
- Full range of motors for almost any duty cycle
- Optimize performance and value by selecting the right motor for the application
- Bearings, shaft seal, and seal protector guarantee long life in harsh conditions

Traction Motors **O T**

- Take advantage of efficiency, durability and starting torque
- Wheel mount and shaft mount

Brakes **B**

- Integrated brakes and loop flushing
- Spring applied – hydraulic release
- Up to 2,000 Nm of reliable holding torque



© Power Graphics Concept by Danfoss



Forestry Machinery

Slew Drives **O**

- Optimize efficiency over the life of the application
- Bearings, shaft seal, and seal protector guarantee long life in harsh conditions

Feeder Rollers **O T**

- Take advantage of efficiency, durability and high starting torque
- Wheel mount and shaft mount
- High bearing capacity
- Outstanding motor efficiency for reduced fuel consumption



© Power Graphics Concept by Danfoss



O-series

The flexible choice

- The O-series is flexible beyond compare. Delivering premium power across the range, these motors cover small to large, medium to heavy-duty needs with pressure capability up to 275 bar [3,990 psi].
- The O-series is the flexible and safe choice that will fit into most applications, and will provide the extended lifetime under tough conditions e.g. at high pressure and speed. Typical applications are: harvesters, drilling, salt spreaders, lawn & turf, and forestry machines.
- The O-series consists of:



OMM / OML



OMP / OMR X



OMH



OMEW



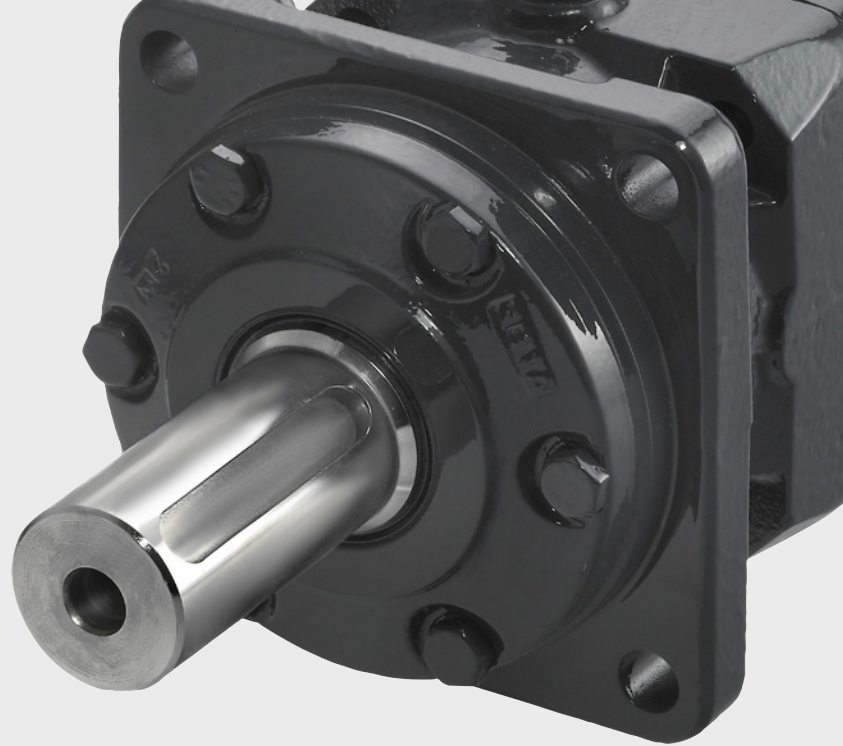
OMS



OMT



OMV



> VISIT WEBSITE





W-series

The competitive option for the competitive market

- The W-series is a competitive fit at a competitive price in low to medium-duty cycle applications. High reliability and pressure ratings from 160-207 bar [2,320-3,000 psi] make these motors a perfect match in a wide range of applications in multiple hydraulic markets.
- The W-series can be used to replace competitor products, and can also be used for low to medium duty applications like: conveyors, walk behind lawn mowers, brooms, winches, and salt spreaders.
- The W-series consists of:



WP



WR



WD



WG



WS



[> VISIT WEBSITE](#)





The new generation

- Requirements in your business are increasing and demands are getting tougher. And that is why, we have developed the new standard in orbital motors: The Orbital X Program.
- Orbital X is the new generation of OMP and OMR motors. With its unseen modular platform, and form and fit with your existing applications, it redefines motor conversion, improves your performance and reduces your total cost of ownership. Orbital X is preparing for the future and is where the majority of product improvements will be made. A modular build program is available for Orbital X, allowing distributors to meet customer demands quickly, with limited inventory.
- The Orbital X is well suited for applications like: harvesters, combines, sweepers & scrubbers, mowers, and road building machines.
- The Orbital X consists of:



OMP X



OMR X



Modular build program



[> VISIT WEBSITE](#)





R-series

The medium-duty workhorse

- The R-series is an outstanding performer in a wide range of mobile hydraulic applications. Highly efficient and dependable, these rugged motors are especially suited for low flow, high pressure situations. With several bearing options, these motors are well suited for use in the mobile hydraulic market.
- The R-series has outstanding performance especially in situations requiring high pressure and low speed e.g. when climbing a ramp. It is well suited for applications like: aerial work platforms, mixers, augers, winch drives, and swing drives.
- The R-series consists of:



RE



> VISIT WEBSITE





T-series

For tough applications

- With pressure capability up to 350 bar [5,080 psi] and high starting torque, the T-series is the energy-efficient choice for the toughest working environments. Leading performance with a long lifetime makes light work of the heaviest duties. Up against high pressures, thin oil or frequent reversals, our motors are guaranteed to perform smoothly and efficiently – even at low speed.
- The T-series is well suited for applications in harsh environments with tough demands. It provides excellent torque and has high sideload and bearing capabilities. It is well suited for applications like: road building machines, skid steer loaders, forestry machines, and many industrial applications.
- The T-series consists of:



TMK



TMT



TMTHW



TMV



[> VISIT WEBSITE](#)



Danfoss

ENGINEERING
TOMORROW