

Damper - adjustable in both directions

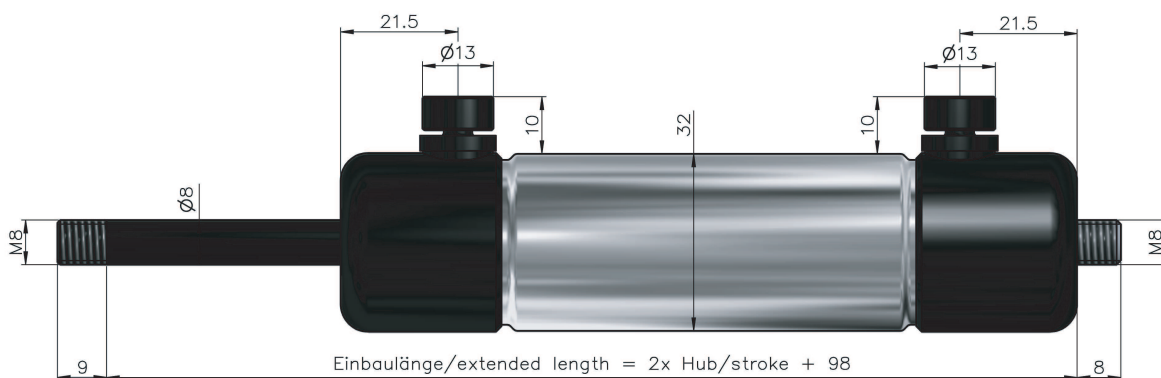
Adjustable damping in tension and compression? No problem with this kind of damper...

This kind of adjustable damper allows independent control of the damping force in tension and extension directions.

The very simple adjustment is done by turning the control knobs, which are located outside the damper. It is also possible to change the damping force even when the damper is installed in the application.

Facts:

- Independent adjustment of the damping force in tension and compression
- Max damping force: 2500 N
- Operating temperature: 0°C to 65°C
- A mechanical limit stop approximately 2 mm before end of stroke is required
- A wide range of connecting parts can be found in the gas spring catalog



Bi-directional adjustable damper	Connecting part piston rod	Connecting part cylinder	model	diameter piston rod/ cylinder	stroke	extension length (min)	Index*
DSED	B0	N0	-	X	100	298	001
	see gas spring catalog	see gas spring catalog	- = Standard B = Special	X = 8/32	20-150	2x stroke + 98	*only necessary for repeating orders

Technische Änderungen und Druckfehler vorbehalten. The flyer is subject to technical alterations and printing mistakes.