

Pneumatic Release System

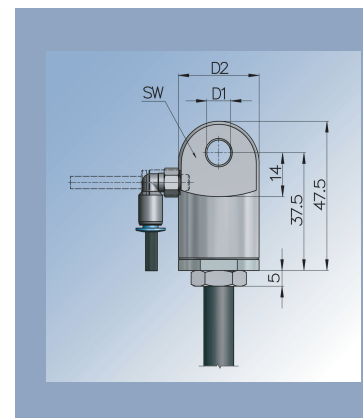
Release your lockable gas spring with compressed air!

The new release head allows you to operate your lockable gas spring with compressed air.

With this new release head you are able to implement your lockable gas spring in your pneumatic system and release it by the machine control.

Facts:

- Operation of multiple lockable gas springs
- Usable for standard and short release gas springs
- Piston rod diameters of 8 mm and 10 mm
- Different hole diameters and width across flats available
- Connection of air tube diameter 4 mm and 6 mm
- Angular and Linear Connectors available
- Approximately 200 N release force at 6 Bar (Please note the progressivity of the gas spring!)
- Maximum pressure = 10 Bar



Pneumatic Release System	Model	Code		Connection	Ø Tube	Specification	Thread	Index*
20AKP	-	A1		W	6	-	M	001
	- Standard		SW	D1	W = Angular	4 mm	- = Standard	*only necessary for repeating orders
	A acc. your drawing	A1	10	Ø8H9	G = Linear	6 mm	M = M8*1	
	B acc. our drawing	B1	12	Ø8H9			L = M10*1	
		L2	12	Ø10H9				
		M2	10	Ø10H9				

The flyer is subject to technical alterations and printing mistakes.