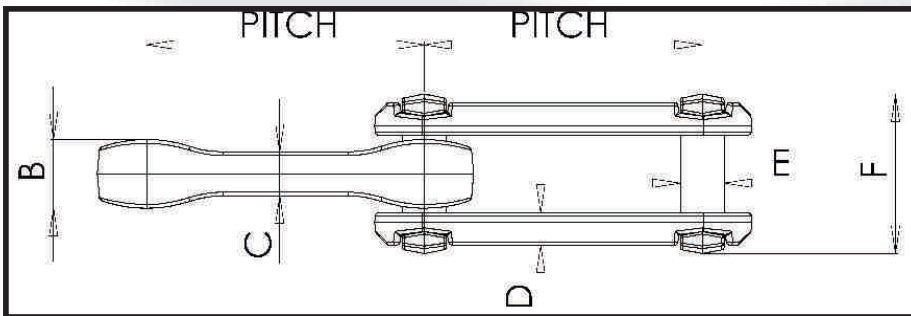




X- TYPE RIVETLESS CHAIN

SAE 1552 pin (40 - 45 HRC) - drop forged trimmed smoothed surface
 Groove oil on pins head
 SAE 1552 centre link (37-42 HRC) reworked
 SAE 1552 side link (37-42 HRC)



article N°	Inches	PITCH	B	C	D	E	F
CERSA6000112	X-348	3	0.73	0.49	0.38	0.49	1.73
CERSA6000109	X-458	4	0.98	0.63	0.47	0.63	2.28
CERSA6000108	X-678	6	1.28	0.81	0.75	0.85	3.15
article N°	mm	PITCH	B	C	D	E	F
CERSA6000112	X-348	76,2	18.5	12.5	9.6	12.5	44
CERSA6000109	X-458	101,6	25	16	12	16	58
CERSA6000108	X-678	152.4	32.5	20.5	19	21.7	80

	X-348	X-458	X-678
Min. ultimate strength (DaN)	11.000	26.000	38.640
Max. recomm. tensile	1.100	2.200	3.850
Vertical chain radius	9°	9°	6°
Magnaflux check	10%	10%	100%
Tensile strength test (DaN)	100% 6.600	100% 13.500	100% 23.184

