

ACE FPD shock absorbers are sealed maintenance-free, lightweight units. The optional mounting accessories make the assembly simple and reliable. The mounting elements are just fixed by two screws, and the damper is just clicked into place. Due to the precision ground bore of the mounting flanges the damper can easily be removed and replaced. The FPD series are particularly suitable for applications in the furniture industry, for example drawers, doors, covers and openings etc.

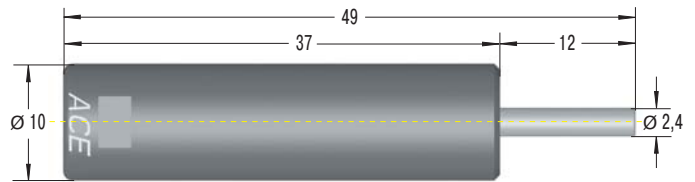
Special damping characteristics are available on request.



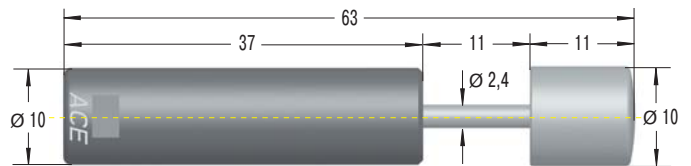
"The super lightweight damping solution!"



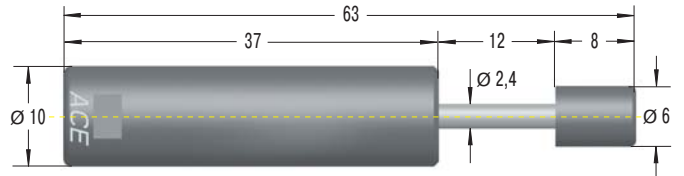
Type S



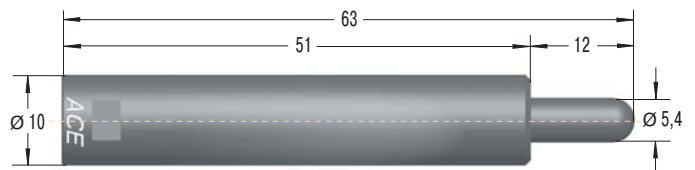
Type R



Type C



Type D



Technical Data

Impact velocity: Max. 0.5 m/s

Material: Shock absorber body: Polyacetal. Piston rod: Steel.

Max. side load angle: Type S/C/R $\pm 2.5^\circ$; type D $\pm 6^\circ$

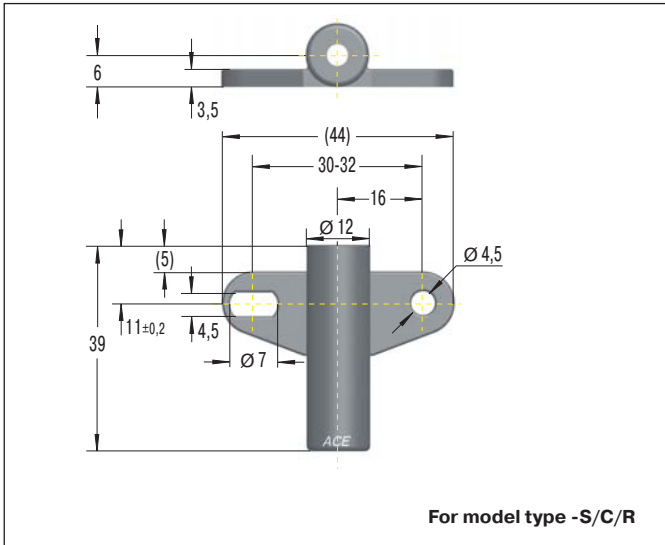
Weight: Depending on the type 4.5 g to 6 g

Operating temperature: 5 °C to 40 °C

Capacity Chart

Type Part Number	Stroke (Type R) mm	Max. Energy Capacity		Max. Impact Mass kg	Max. Return Force N
		W_3 Nm/Cycle			
FPD-1012A1	12 (11)	0.5		1	3
FPD-1012A3	12 (11)	0.8		3	3
FPD-1012A5	12 (11)	1.0		5	3

Mounting Flange OP-200-01 B/W*



Mounting

To mount the damper, we recommend the use of original ACE mounting accessories shown on the left-hand side of the page. When removing the FPD unit from the mount do not pull the piston rod of the shock absorber as this could damage the internal structure. Do not use the damper in a vacuum. Ensure that the load is not offset causing a side load to the shock absorber. Please see the maximum side load information on the previous page.

External Stop

Do not use damper as final end stop. Fit external mechanical stop at the end of travel.

Ordering Example

FPD-1012A1-CB

Plastic Damper _____ ↑

Diameter 10 mm _____ ↑

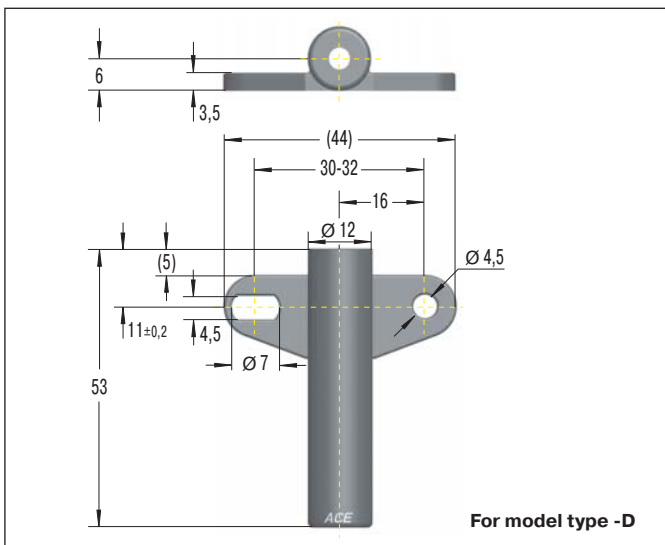
Stroke 12 mm _____ ↑

Damping Characteristics _____ ↑

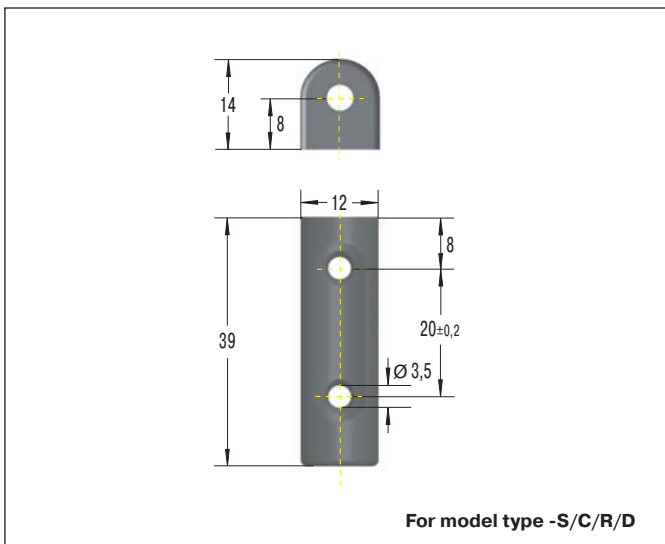
Model Type _____ ↑

Colour (B = black, W = white) _____ ↑

Mounting Flange OP-200-02 B/W*



Mounting Flange OP-200-03 B/W*



*"Fasten the mounting flange –
and just click the damper
into place!"*



* Colour (B = black, W = white)