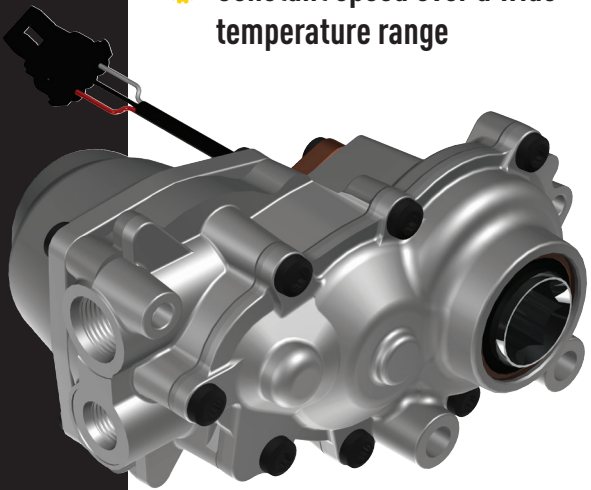


AGM6 MOTOR

OPTIMAL TRANSFER OF POWER

- ⚙️ A compact fixed-displacement axial piston motor.
- ⚙️ Uni-directional or Bi-directional configuration
- ⚙️ Low-speed operation—down to 1-2 rpm
- ⚙️ Speed sensor output allows for precise RPM control
- ⚙️ Constant speed over a wide temperature range



HYDRO-GEAR®
COMMERCIAL

DESIGNED & ASSEMBLED IN THE USA

COMPACT AXIAL PISTON MOTOR

SPECIFICATIONS

Geometric Displacement	2.0 in ³ [32 cc/rev]
Pressure Rating	
Continuous	950 psi [65 bar]
Intermittent	1450 psi [100 bar]
Peak	1800 psi [124 bar]
Output Speed	
Continuous	120 rpm
Peak	360 rpm
Torque	
Continuous	15 ft-lb
Peak	26 ft-lb
Case Pressure	
Continuous	200 psi [14 bar]
Peak	300 psi [21 bar]
Weight	4.5 lbs [2 kg]
Output Shaft	7/8 in. Hex
Speed Sensor Options	Deutsch or Delphi

Specifications subject to change without notice

APPLICATIONS

- Augers
- Automatic Clamping Equipment
- Belt Drives
- Conveyors
- Fan Drives
- Process Machinery
- Roller Drives
- Swing Drives
- Vibratory Drives
- Wheel Drives
- Winch Drives

**FOR MORE INFORMATION VISIT:
WWW.HYDRO-GEAR.COM**



AGM6-10/2017-V1