

# DOUBLE JU INTERNATIONAL Ltd.

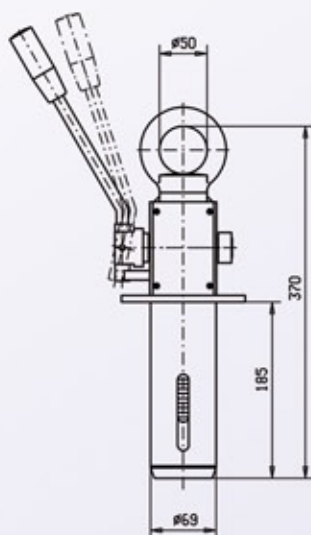
Distribution of BARTHOLOMY Reel Handling Units



## BARTHOLOMY RH REEL LIFTER / BARTHOLOMY RHK REEL LIFTER COMBINED



RH



Dimension drawing RH 70/76

### Product features:

- simple and safe operation
- very sturdy
- manual switch of gripping / releasing

### Reel datas:

- Reel weight, standard: 1.000, 2.000 kg  
Gmax: 4.000 kg
- Gripper: standard 70, 76,2 and 150, 152,4 mm
- Available gripper for core: 30 - 650 mm
- Other dimension on request



RHK

- Combined Reel Lifter for different core sizes

A working operation is shown on the back

# DOUBLE JU INTERNATIONAL Ltd.

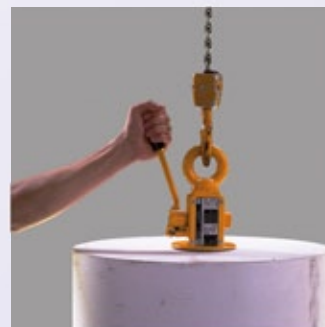
Distribution of BARTHOLOMY Reel Handling Units



## Working operation BARTHOLOMY RH REEL LIFTER:



1. Inserting and set down



2. Manuel switch to gripping



3. Lifting