

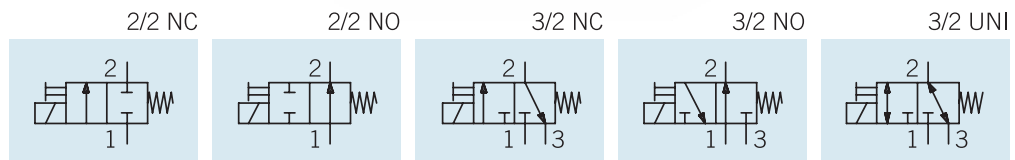


ITALIAN QUALITY AND FLEXIBILITY

E.V. 15 mm 3/2 STD

The most compact design in the market
High flow-to-orifice size ratio

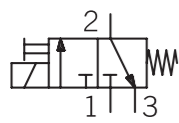
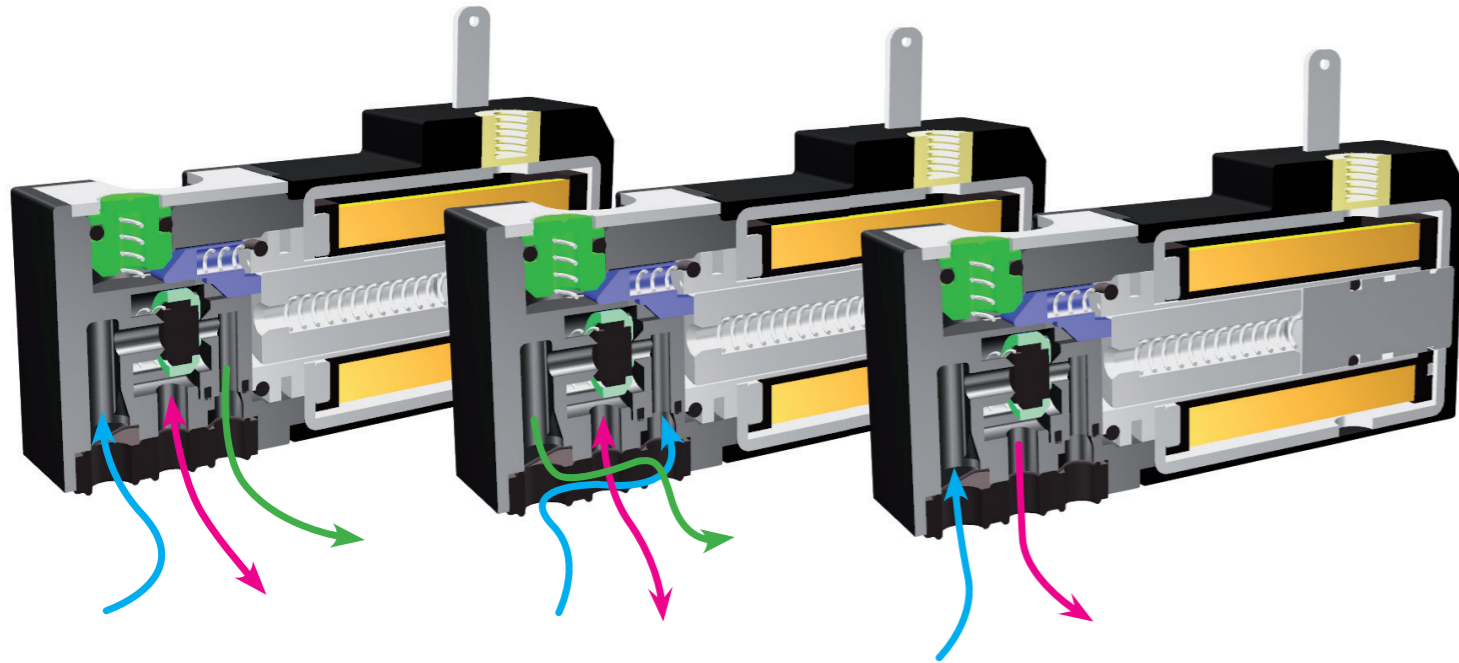
Il design più compatto sul mercato
Elevato rapporto portata/diametro ugello



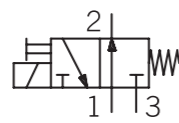
Monostable solenoid valves consists of an insulated copper wire class H (180°C) wound coil injection encapsulated with a glass fiber reinforced polyamide polymer and an independent valve body "click" separable.

This patented design solution allows to keep mechanical and electric parts separated guaranteeing greater ruggedness, reliability, consistency of performance and flexibility, making FIM competitive and the reference point on the market.

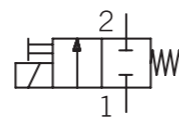
Microvalvola monostabile a solenoide costituita da una bobina avvolta con filo di rame smaltato classe H (180°C) ed inglobata ad iniezione con tecnopolimero polyammide caricato fibra vetro e da un corpo valvola indipendente separabile a "click". Questa soluzione costruttiva brevettata consente di mantenere separate la parte meccanica da quella elettrica garantendo maggiore robustezza, affidabilità, costanza di prestazioni e flessibilità produttiva che rendono FIM competitiva e punto di riferimento sul mercato.



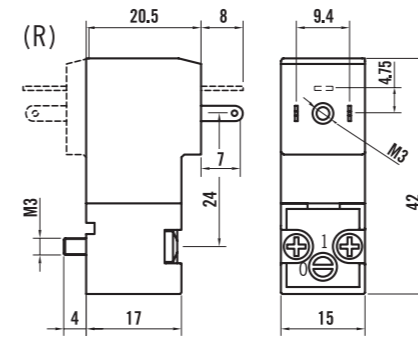
3/2 N.C.
(Normally closed)
(Normalmente chiusa)



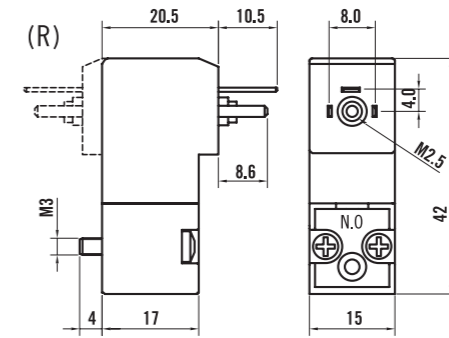
3/2 N.O.
(Normally open)
(Normalmente aperta)



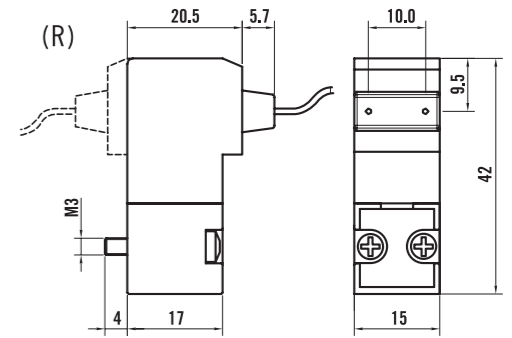
2/2 N.C.
(Normally closed)
(Normalmente chiusa)



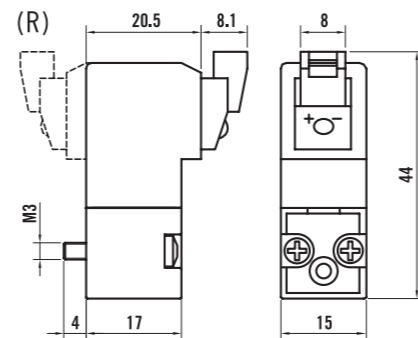
FASTON STD [+ GROUND] [OPTIONAL FOR DC VERSION]
FASTON STD [+ TERRA] [OPZIONALE PER VERSIONE DC]



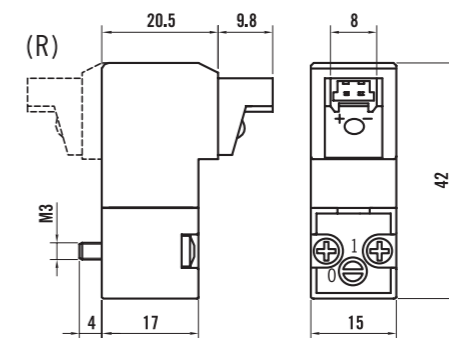
DIN FASTON 43650-C
FASTON DIN 43650-C



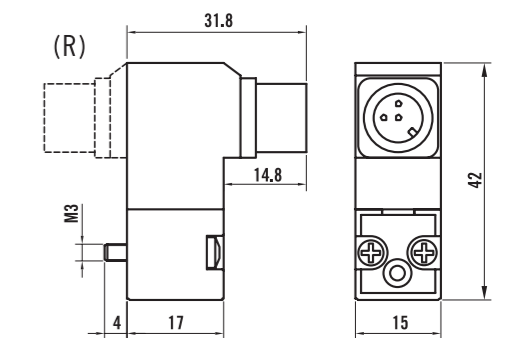
ENCAPSULATED CABLES
CAVI INGLOBATI



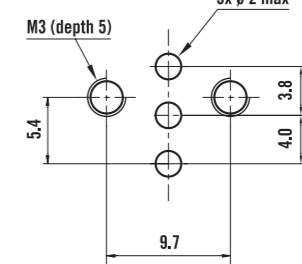
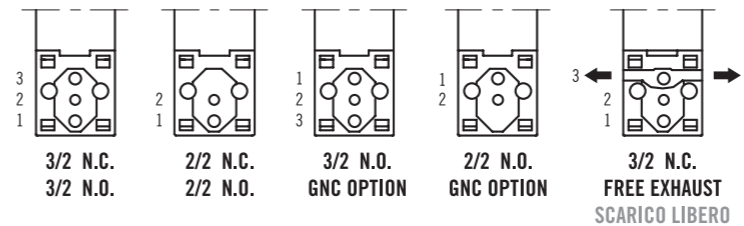
LINE CONNECTOR
CONNETTORE LINEA



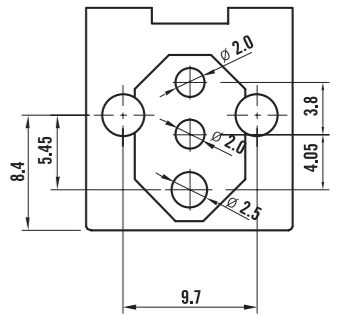
90° CONNECTOR
CONNETTORE 90°



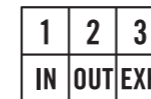
M12 CIRCULAR CONNECTOR
CONNETTORE CIRCOLARE M12



SUGGESTED SUBBASE



PNEUMATIC INTERFACE
(ACCORDING TO ISO: 15218)



TECHICAL SPECIFICATIONS

15 mm STD

	1 W Ø 0.8 mm (N.C.)	1 W Ø 0.8 mm (N.O.)	2 W Ø 1.1 mm (N.C.) (N.O.)	2.5 W Ø 1.6 mm (N.C.) (N.O.)
Working pressure [bar]	0 - 10 bar	0 - 10 bar	0 - 10 bar	0 - 7 bar (NC DC only) 0 - 5 bar (NO and/or AC)
Nominal orifice size Ø [mm]	0.8 (1→2) 1.1 (2→3)	0.9 (1→2) 0.8 (2→3)	1.1 (1→2) 1.1 (2→3)	1.6 (1→2) 1.6 (2→3)
Flow rate at 6bar Δ 1bar [NI/min]	20 (1→2) 35 (2→3)	20 (1→2) 20 (2→3)	35 (1→2) 35 (2→3)	50 (1→2) 50 (2→3)
Response time (ISO 12238) [msec]	6 (ON) 8 (OFF)	6 (ON) 8 (OFF)	5 (ON) 6 (OFF)	4 (ON) 6 (OFF)
Voltages DC [Volt]	12 - 24 V DC	12 - 24 V DC	6 - 12 - 24 V DC	12 - 24 V DC
Voltages AC 50/60 Hz [Volt]	-	-	24 - 110 - 230 V AC	24 - 110 - 230 V AC
Power [Watt]	1 W	1 W	2 W	2.5 W
Voltage tolerance	±10%	±10%	±10%	±10%
Electrical insulation	1000 V AC	1000 V AC	1000 V AC	1000 V AC
Wire insulation class	H (180° C)	H (180° C)	H (180° C)	H (180° C)
Coil resistance tolerance	+/-5%	+/-5%	+/-5%	+/-5%
Fluid/ambient temperature	-10° / +50° C	-10° / +50° C	-10° / +50° C	-10° / +50° C
Max working frequency [Hz]	30	30	30	30
Duty cycle	100% ED	100% ED	100% ED	100% ED
Life expectancy	> 50 Million cycles	> 50 Million cycles	> 50 Million cycles	> 50 Million cycles
Fixing	2 screws M3	2 screws M3	2 screws M3	2 screws M3
Weight	35 gr	35 gr	35 gr	35 gr
Protection degree (IEC 60529)	IP65 (coil with cables, faston and M12)		IP51 (coil with 90° or Line connector)	



CODIFICATIONS

15 mm STD

N	FUNCTION	VOLTAGE / WATTAGE	/	(R)	ELECTRICAL CONNECTION	ORIFICE	-	(MANUAL OVERRIDE OPTIONS)	(A) / (GNC)
2	2/2 NC	1 = 24 Vdc (2 / 2.5 W)		R = Rotated Coil 180°	0 = Faston standard (9.4 mm)	E = Ø 0.8 mm		2 = without manual override	A = Free exhaust (in atmosphere) 3/2 NC only
3	3/2 NC	2 = 12 Vdc (2 / 2.5 W)			1 = Faston DIN form-C (8 mm)	A = Ø 1.1 mm		8 = 2-position manual override	GNC = NC gasket option (NO only)
4	3/2 NO	4 = 6 Vdc (2 / 2.5 W)			2 = Encapsulated Cables 300 mm	B = Ø 1.6 mm		() = push & release manual override	
5	2/2 NO	5 = 24 Vac 50/60 Hz			3 = M12 circular connector				
		6 = 110 Vac 50/60 Hz			6 = 90° Connector				
		7 = 230 Vac 50/60 Hz			7 = Line Connector				
		8 = 24 Vdc 1 W			6L = 90° + LED & suppressor diode				
		D = 12 Vdc 1 W			7L = Line + LED & suppressor diode				

Example: **N331/0B** = 15 mm STD 3/2 NC Ø 1.6 mm 7 bar 24 Vdc 2.5 W Faston STD 9.4 mm P&R manual override

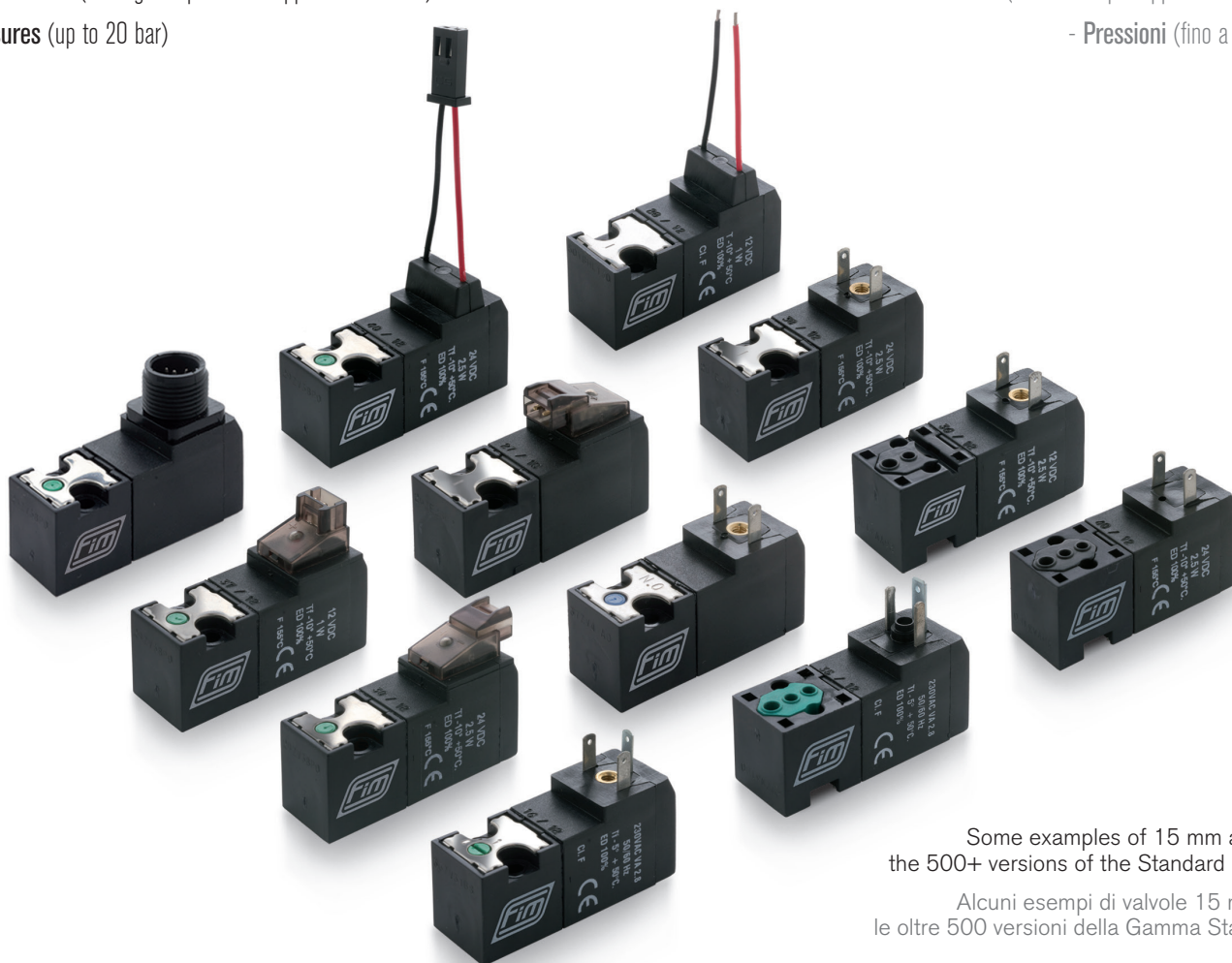


Customizations available on request

- Voltages (Volt)
- Powers (Watt)
- Electrical connectors (Molex, Tyco, Hirose, Jst)
- IP Protection (Potting compound for applications IP 67)
- Pressures (up to 20 bar)

Personalizzazioni disponibili su richiesta

- Tensioni (Volt)
- Potenze (Watt)
- Connettori elettrici (Molex, Tyco, Hirose, Jst)
- Protezione IP (Resinatura per applicazioni IP 67)
- Pressioni (fino a 20 bar)



Some examples of 15 mm among the 500+ versions of the Standard Range

Alcuni esempi di valvole 15 mm tra le oltre 500 versioni della Gamma Standard

traceability code
codice di rintracciabilità

WW Y XXXXX
week valve body ref.
year
...
Z=2012
A=2013
B=2014
C=2015
...



"click"

90° / 180°

MODULAR
SYSTEM
PATENTED IN 1996

SISTEMA
COSTRUTTIVO
MODULARE
BREVETTATO DAL 1996

Coil can be rotated in any position with a "click" system
Bobina orientabile in ogni posizione con sistema a "click"



ITALIAN QUALITY AND FLEXIBILITY