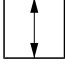


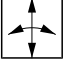


520L0507

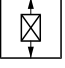
520L0507

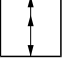


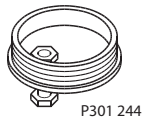
 155B342.10	Standard with spring return	155U2601
	Standard with spring return and with neutral switch	155U2605

 155B343.10	Friction hold, by turning the knob	155U2602
	Friction hold, by turning the knob and with neutral switch	155U2606

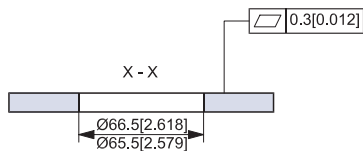
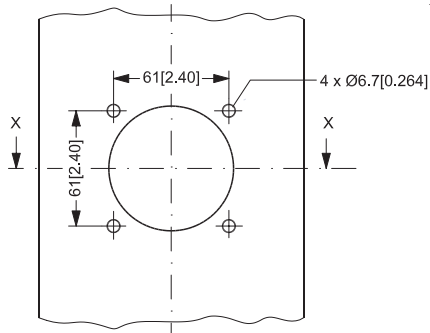
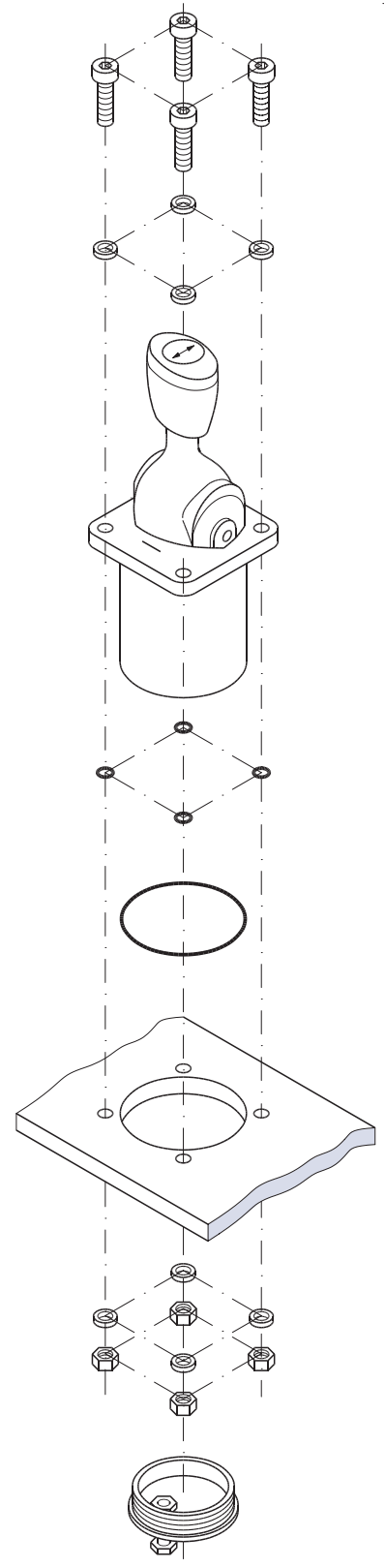


 155B344.10	Neutral lock and spring return	155U2603
	Neutral lock and spring return with neutral switch	155U2607

 155B345.10	Float position lock and spring return	155U2604
	Float position lock and spring return with neutral switch	155U2608



	Bottom cover	155U2600
--	--------------	----------

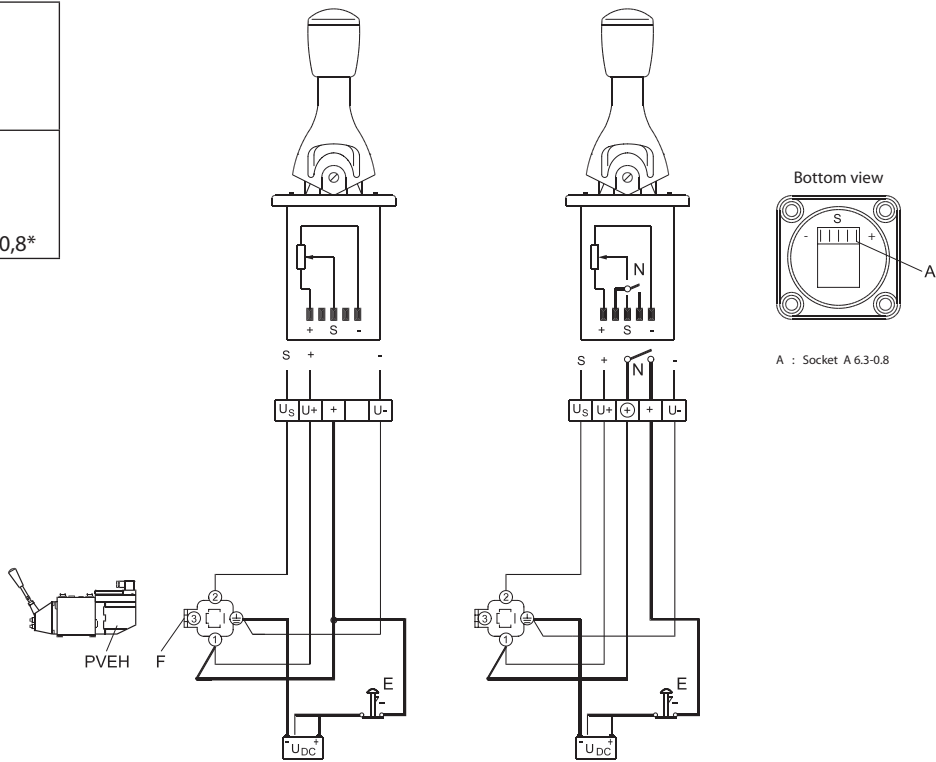


155B402.10

155B403.10

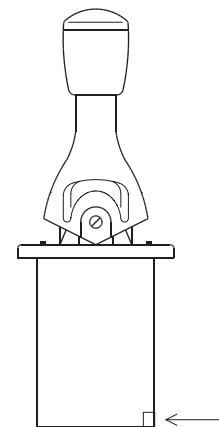
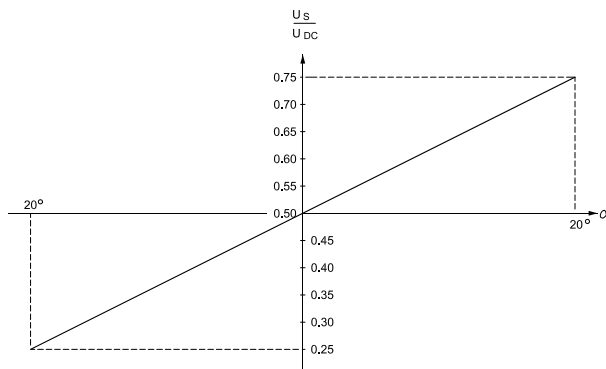
E	Nødstop
	Emergency stop
	Notschalter
T	Arrêt d'urgence
	Fladstik A 6,3 - 0,8*
	Tabs A 6.3 - 0.8*
	Flachstecker A 6,3 - 0,8*
	Languettes mâles A 6,3 - 0,8*

\* (DIN 46244)



155B348.12

**Signal ( $U_s$ ) som funktion af håndtagsvinkel**  
**Signal ( $U_s$ ) as a function of the lever angle**  
**Signal ( $U_s$ ) als Funktion des Geberwinkels**  
**Signal ( $U_s$ ) en fonction de l'angle de levier**



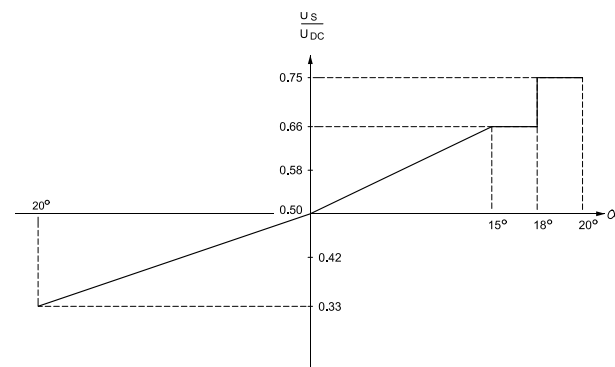
P301 225

\*PVREL med holdefunktion  
 \*PVREL with hold function  
 \*PVREL mit Haltefunktion  
 \*PVREL avec la fonction de maintien



155B346.10

**Flydestilling**  
**Float position**  
**Fließstellung**  
**Position flottante**



155B347.10