



## Micro Hydraulic

### The small power-pack

With the new micro-hydraulic cylinders, high forces can be realized in a very compact construction. With the standard piston diameters from 13 - 24 mm and a maximum pressure of 200 bar, forces up to 9.000N can be achieved. The stroke will be individually adjusted according to customer's requirements.

By using the numerous components of the gas spring manufacture, a high flexibility combined with shortest delivery times can be offered

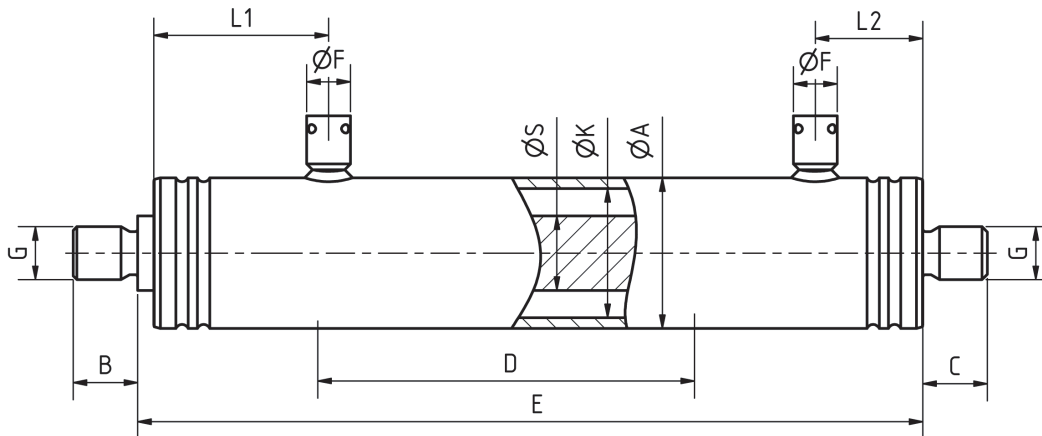
#### Facts:

Piston diameter:	13, 16, 19 and 24 mm
Stroke:	30 - 250 mm
Function:	double acting
Operating pressure:	max. 200 bar
Extension force:	up to 9.000N

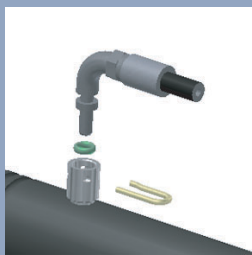
Piston diameter	Diameter piston rod/ cylinder	Stroke	Length E (retracted)	Index*
<b>MH16 -</b>	<b>0 -</b>	<b>100 -</b>	<b>155 -</b>	<b>001</b>
<b>MH13 = Ø 13</b>	<b>6 = 6/15</b>	30-50	stroke + 55	* With the index no. – only necessary for repeating orders – we can reproduce exactly the same gas spring which has already been produced. You will receive the index no. with the order confirmation/ invoice.
<b>MH16 = Ø 16</b>	<b>0 = 8/19</b>	40-100	stroke + 61	
<b>MH16 = Ø 16</b>	<b>P = 10/19</b>	40-190	stroke + 61	
<b>MH19 = Ø 19</b>	<b>2 = 10/22</b>	50-150	stroke + 64	
<b>MH24 = Ø 24</b>	<b>5 = 14/28</b>	50-250	stroke + 76	

The flyer is subject to technical alterations and printing mistakes.

## Dimensions:



ØK piston	ØS piston rod	D stroke [mm]	E retracted [mm]	B	C	G	L1	max force [N]	max traction force [N]	L2	ØA	ØF
13	6	30-50	stroke + 55	9	9	M6	24,5	2.654	2.089	16	15	8,2
16	8	40-100	stroke + 61	12	12	M8	27,5	4.021	3.015	18	19	8,2
16	10	40-190	stroke + 61	12	12	M8	27,5	4.021	2.450	18	19	8,2
19	10	50-150	stroke + 64	12	12	M8	28,5	5.670	4.099	18	22	8,2
24	14	50-250	stroke + 76	12	12	M10	32,5	9.047	5.969	20	28	8,2



## Connectors:

Connectors for standard high pressure tubes with plug-in coupling DN2

## Maximum stroke lengths:

The maximum stroke length will be determined in relation to the force of the cylinders in order to avoid the bending of the cylinders

ØK piston	ØS piston rod	max stroke at 80 bar	max stroke at 100 bar	max stroke at 120 bar	max stroke at 140 bar	max stroke at 160 bar	max stroke at 180 bar	max stroke at 200 bar
13	6	125	105	91	78	66	58	50
16	8	200	172	152	134	120	107	100
16	10	350	305	270	245	222	205	190
19	10	290	246	220	198	180	165	150
24	14	450	395	352	318	290	266	250