

Stainless steel body air-operated valve for chemical liquids

AMD3¹/₂² Series

● Orifice: Ø8/Ø10



Specifications

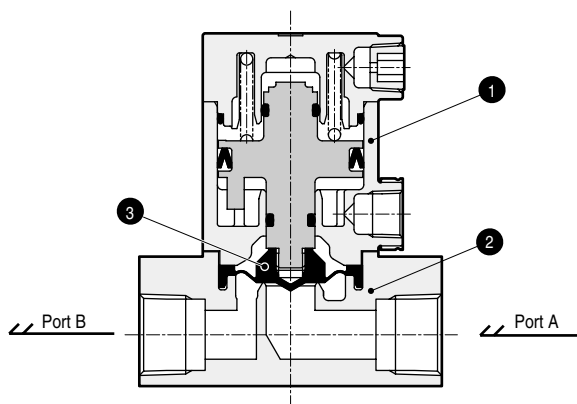
Descriptions	AMD3 ¹ / ₂ -8-3BT-6S	AMD3 ¹ / ₂ -10-4BT-8S
Working fluid	Chemical liquids, pure water (Note 1)	
Fluid temperature °C	5 to 120	
Withstanding pressure MPa	0.9	
Working pressure range (A → B) MPa	0 to 0.3 (Note 2)	
Working pressure range (B → A) MPa	0 to 0.1 (Note 2)	
Valve seat leakage cm ³ /min	0 (at, water pressure)	
Back pressure MPa	0 to 0.1 (Note 2)	
Ambient temperature °C	0 to 60	
Frequency	30 times/min or less	
Installation attitude	Free	
Connection	Rc1/4 3/8" SUS weld tube Double barbed fitting for 3/8" (Note 3)	Rc3/8 1/2" SUS weld tube Double barbed fitting for 1/2" (Note 3)
Orifice	Ø8	Ø10
Operation section	NC/NO 0.3 to 0.5, double acting 0.3 to 0.4	
Operation pressure range MPa	NC/NO 0.3 to 0.5, double acting 0.3 to 0.4	
Operation pressure connection port	Rc1/8	

Note 1: Check the compatibility of the product's configuration materials, working fluid, and ambient atmosphere before use.

Note 2: See page 56 for high-pressure specifications.

Note 3: For the double-barbed fitting, fluorine-based lubricant is applied on the sliding surface of the front ferrule and fitting.

Internal structure and parts list



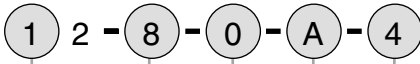
No.	Parts name	Material	Quantity
1	Actuator assembly	PPS	1
2	Body	SUS316L	1
3	Diaphragm	PTFE	1

The material differs with the model. Contact CKD for details.

How to order

AMD3

Model No.



E Operation port direction

D Actuator material

B Connection

A Actuation
*1

C Option

B Connection					
8	3BT	6S	10	4BT	8S
Rc 1/4	3/8" X 11.0 SUS weld tube	3/8" tube connection Double barbed fitting	Rc 3/8	1/2" X 11.24 SUS weld tube	1/2" tube connection Double barbed fitting

Symbol	Descriptions	Orifice					
		Ø8			Ø10		
A Actuation							
1	NC (normally closed)	●	●	●	●	●	●
2	NO (normally open)	●	●	●	●	●	●
3	Double acting	●	●	●	●	●	●
C Option							
0	ON/OFF only	●	●	●	●	●	●
1	With flow adjustment	●	●	●	●	●	●
6	With indicator	●	●	●	●	●	●
D Actuator material							
Blank	PPS	●	●	●	●	●	●
A	A5056	●	●	●	●	●	●
E Operation port direction							
4	<p>Indicates that fluid flows in direction of the black arrow when looking at valve from above. The white arrow indicates operation port direction.</p>	●	●	●	●	●	●
1		●	●	●	●	●	●
2		●	●	●	●	●	●
3		●	●	●	●	●	●

- AMDZ
- AMD0
- AMD0*2
- AMD3*2
- AMD4*2
- AMD5*2
- AMGZ0
- AMG00
- AMG*02
- GAMD*2
- High pressure specifications
- AMD
- AMB
- Flow characteristics
- MMID*02
- GMMD*02
- MMID*0
- TMID*02
- AMS
- AMDS
- TOAS
- Fine regulator
- KML
- Others
- Solenoid valve