

### How to order

MVB 5 0 - 25K

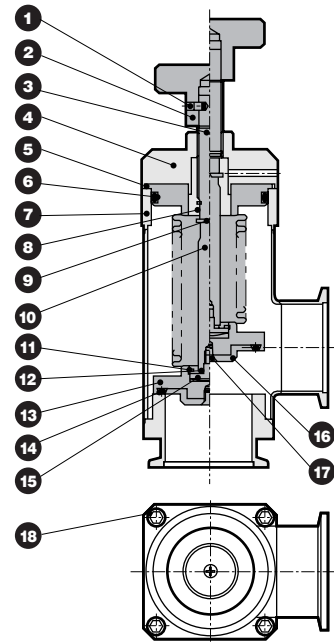
Manual

A Series

B Connection

Symbol	Descriptions
<b>A Series</b>	
5	Orifice $\varnothing 24$
6	Orifice $\varnothing 40$
7	Orifice $\varnothing 50$
<b>B Connection</b>	
25K	25A (Only MVB50 is available)
40K	40A (Only MVB60 is available)
50K	50A (Only MVB70 is available)

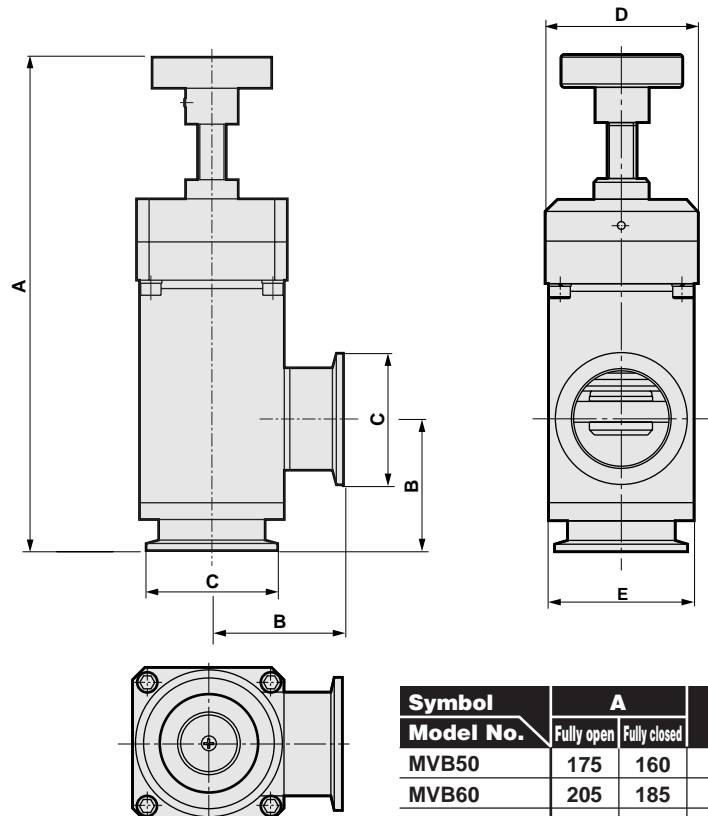
### Internal structure and parts list



No.	Parts name	Material	No.	Parts name	Material
1	Hexagon socket set screw	SUS304	10	Rod	SUS316
2	Handle		11	Spring washer	SUS304
3	Manual rod	SUS303	12	C snap ring	SUS304
4	Adaptor	A2011	13	Valve disk A	SUS316
5	Bellows assembly	ASL350,SUS316	14	O ring	FKM
6	O ring	FKM	15	Rod piece	SUS304
7	Body assembly	SUS304	16	Valve disk B	SUS316
8	E snap ring	SUS304	17	Flat headed cross cut screw	SUS304
9	Spring washer	SUS304	18	Cross headed bolt	SUS304

### Dimensions

#### MVB\*0



Symbol Model No.	A		B	C	D	E
	Fully open	Fully closed				
MVB50	175	160	50	$\varnothing 40$ (NW25)	63	$\varnothing 48.6$
MVB60	205	185	55	$\varnothing 55$ (NW40)	63	$\varnothing 60.5$
MVB70	252	230	70	$\varnothing 75$ (NW50)	78	$\varnothing 79$