

# Gripper

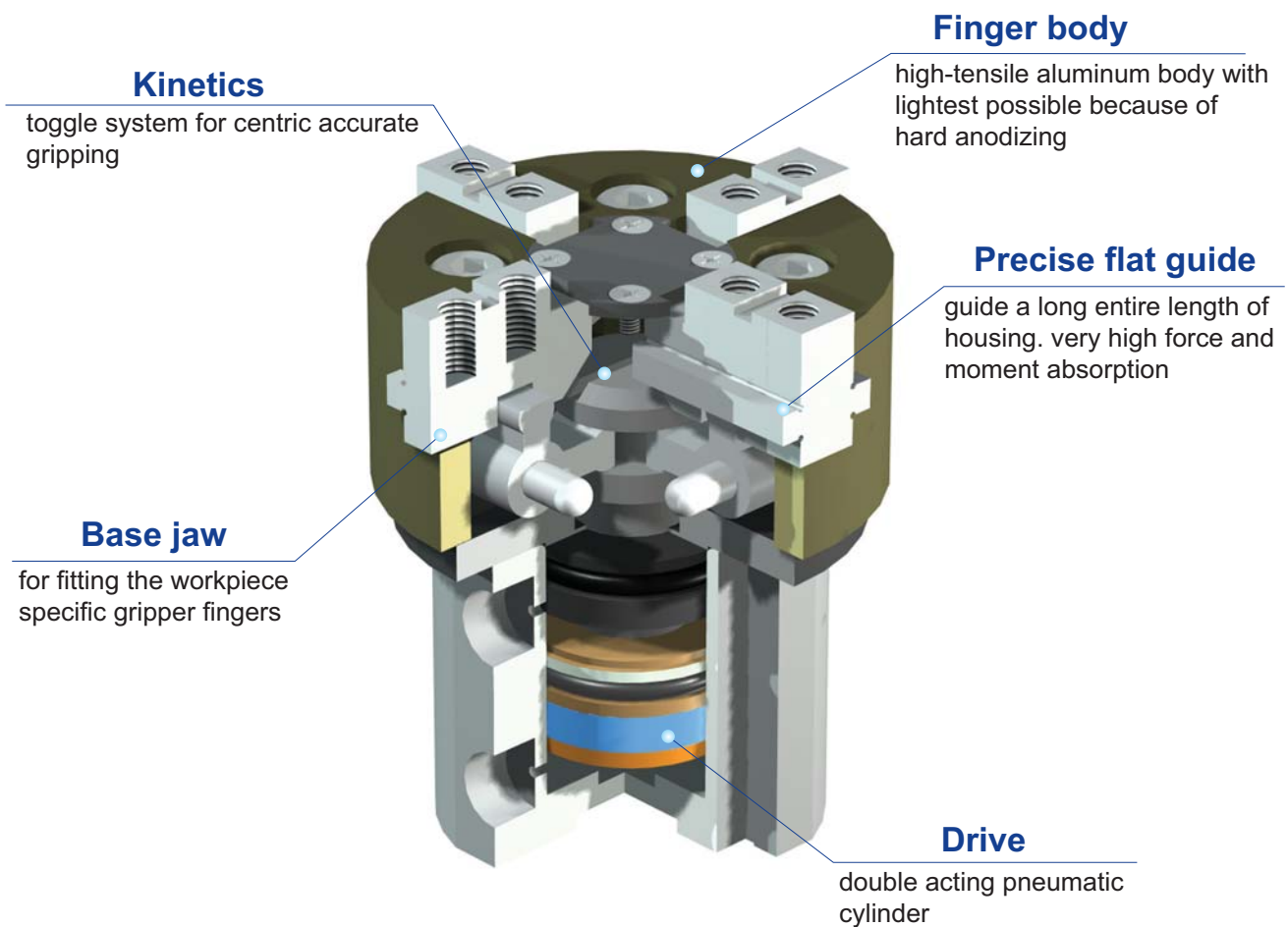
AF26-16,20,25,30,40,50,63,80,100

## Character

- Great gripping force by link lever
- Wide and various selection possible by various size
- Easy to grip the center of workpiece by the cylindrical structure
- Various type by 2,3,4 jaw
- Magnetic sensor is available for open-close sensing

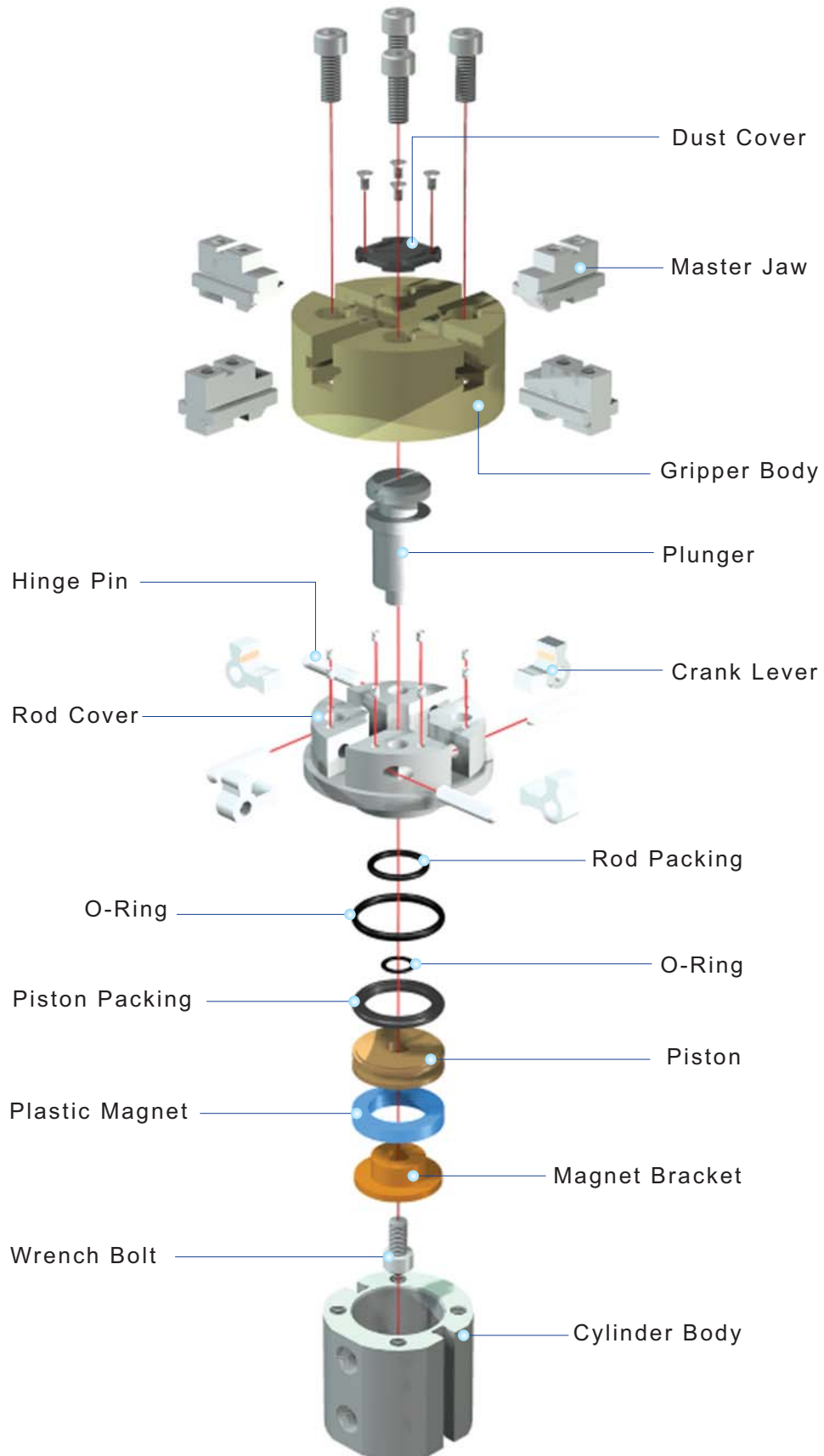


## Link lever type



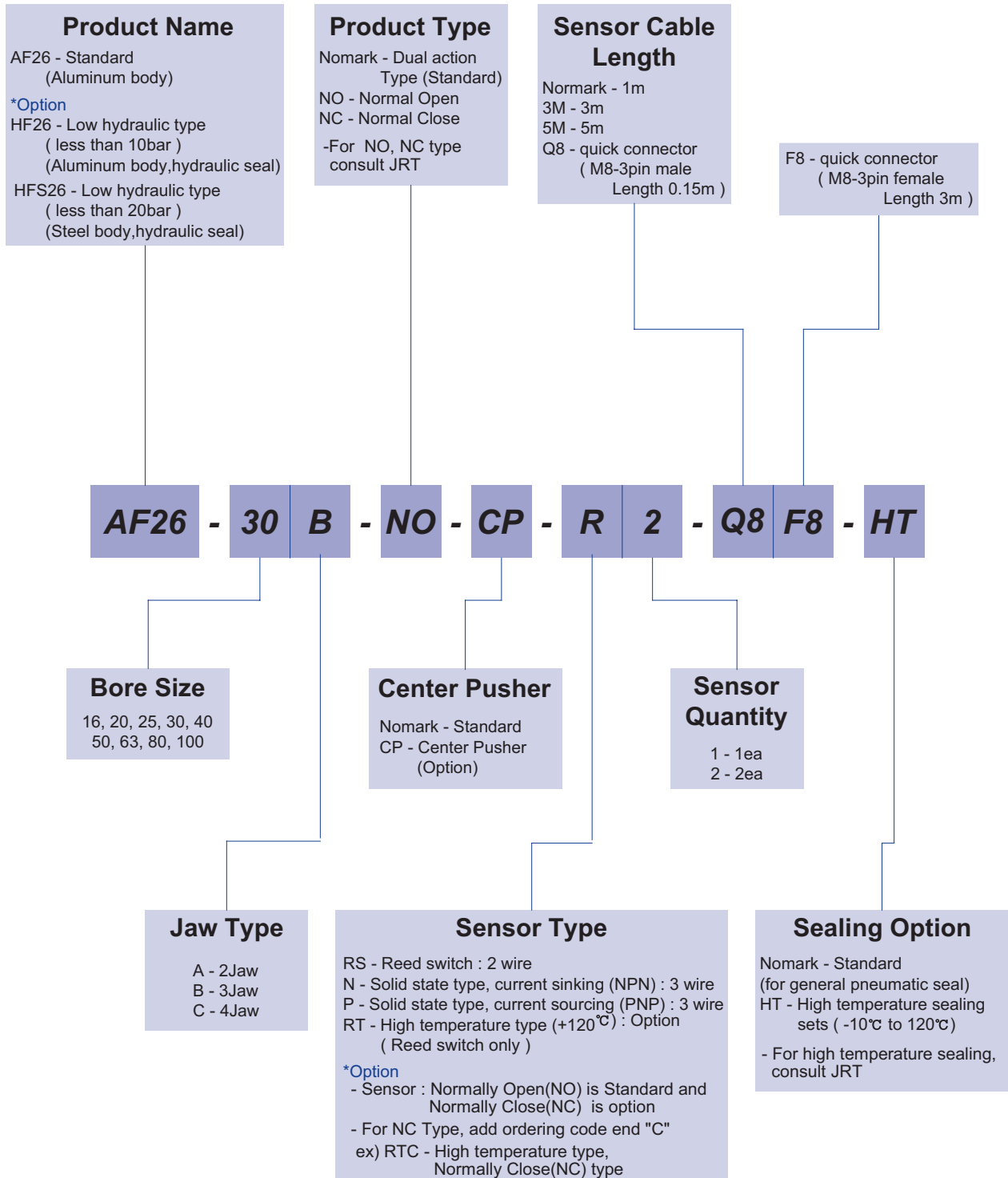
# AF26

## Exploded view



# AF26

## Ordering Code



The delivery of \* mark option is longer than a standard, So inquire of JRT

# AF26

## Specification

P=Air Pressure[bar] , L=Exertion length[mm]

Products Name	AF26-16	AF26-20	AF26-25	AF26-30	AF26-40	Unit
Stroke	6	8	12	12	20	mm
Weight	0.21	0.32	0.51	0.63	1.59	kg
Max. length of attach	30	40	50	55	70	mm
Fitting size	M5	M5	M5	PF(G) 1/8	PF(G) 1/8	
Gripping force:Open	17.66P/(1+0.04L)	29.43P/(1+0.035L)	46.11P/(1+0.025L)	66.71P/(1+0.025L)	115.76P/(1+0.015L)	N
Gripping force:Close	13.73P/(1+0.04L)	22.56P/(1+0.035L)	37.28P/(1+0.025L)	49.05P/(1+0.025L)	87.31P/(1+0.015L)	
Air consumption per cycle	1.1	2.9	6.9	9.7	30.8	cm <sup>3</sup>
Closing / Opening time	0.01 / 0.01	0.01 / 0.01	0.02 / 0.02	0.02 / 0.02	0.03 / 0.04	sec
* Repeat accuracy	0.01	0.01	0.01	0.01	0.01	mm
Max.cycle per minute	60	60	60	50	50	
Operating pressure	3~7					bar
Ambient temperature	-5 to 60					°C
Lubrication	Needless					

\* After 100 consecutive strokes to end positions

P=Air Pressure[bar] , L=Exertion length[mm]

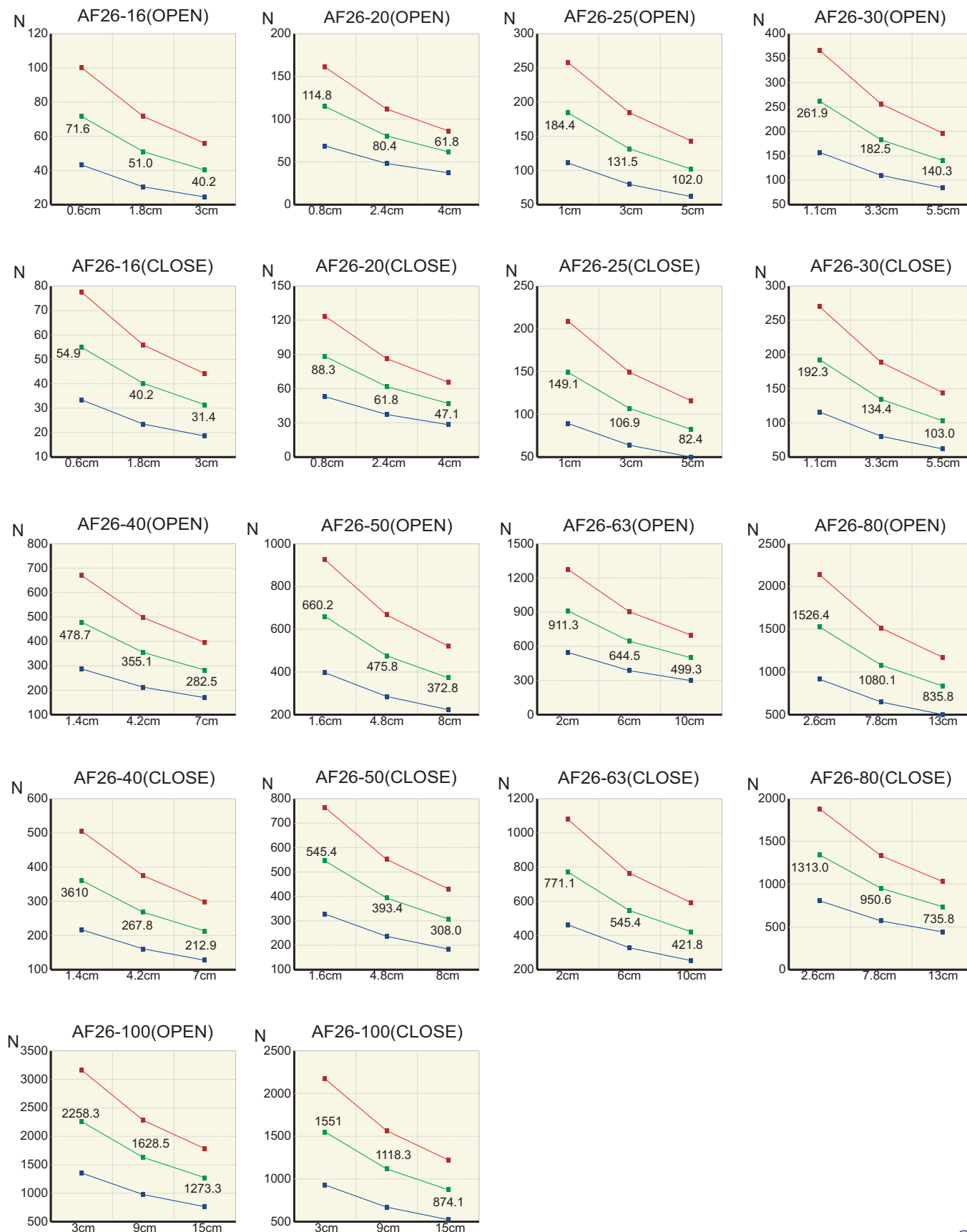
Products Name	AF26-50	AF26-63	AF26-80	AF26-100	Unit
Stroke	20	26	30	42	mm
Weight	2.12	3.44	5.08	7.83	kg
Max. length of attach	80	100	130	150	mm
Fitting size	PF(G) 1/8	PF(G) 1/8	PF(G) 1/8	PF(G) 1/8	
Gripping force:Open	163.8P/(1+0.015L)	229.6P/(1+0.013L)	384.6P/(1+0.01L)	560.2P/(1+0.008L)	N
Gripping force:Close	135.4P/(1+0.015L)	194.2P/(1+0.013L)	338.4P/(1+0.01L)	384.6P/(1+0.008L)	
Air consumption per cycle	48.1	109.1	219.9	442.5	cm <sup>3</sup>
Closing / Opening time	0.03 / 0.04	0.06 / 0.08	0.15 / 0.20	0.30 / 0.35	sec
* Repeat accuracy	0.01	0.01	0.01	0.01	mm
Max.cycle per minute	40	40	30	30	
Operating pressure	3~7				bar
Ambient temperature	-5 to 60				°C
Lubrication	Needless				

\* After 100 consecutive strokes to end positions

# AF26

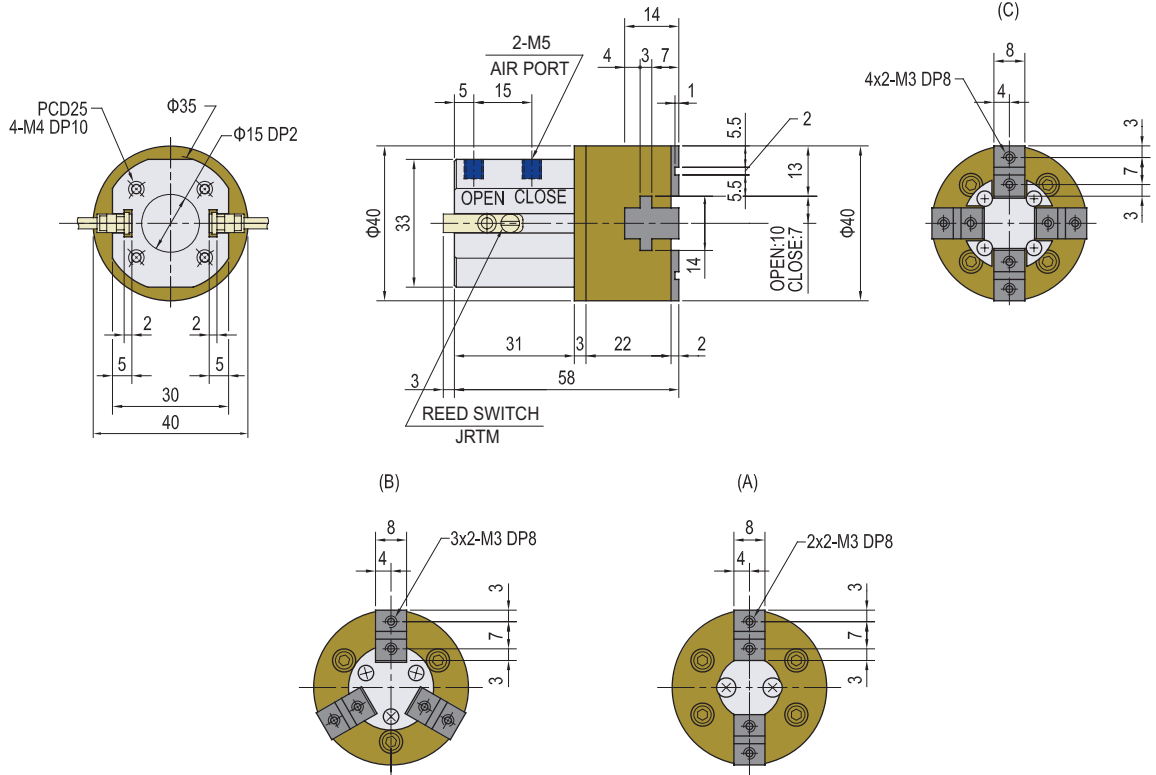
## Gripping Force per exertion length

Legend : ■ 7[bar] ■ 5[bar] ■ 3[bar]

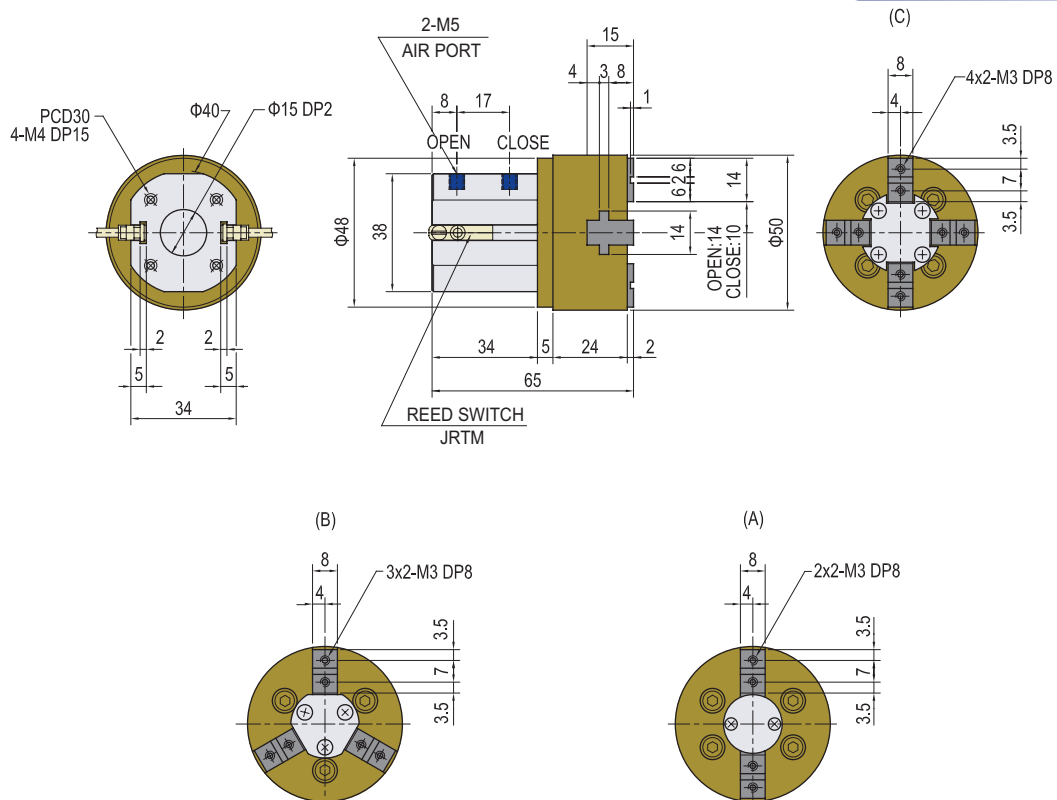


# AF26

## AF26-16

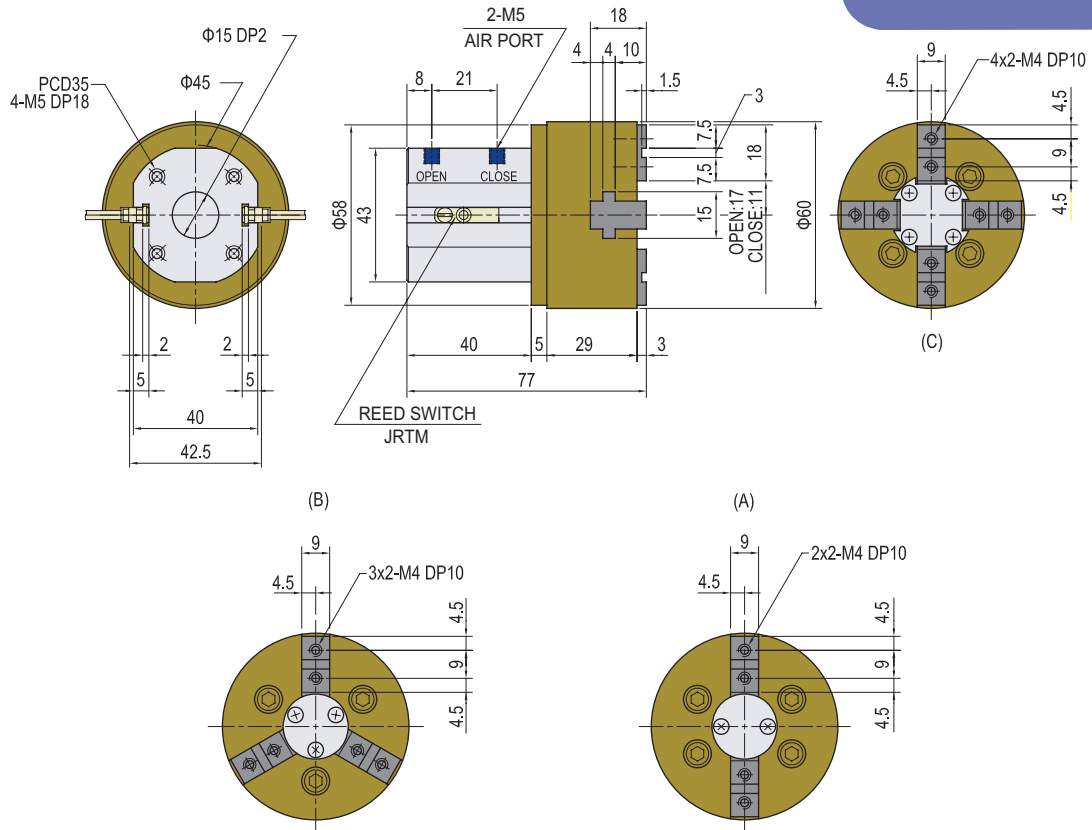


## AF26-20

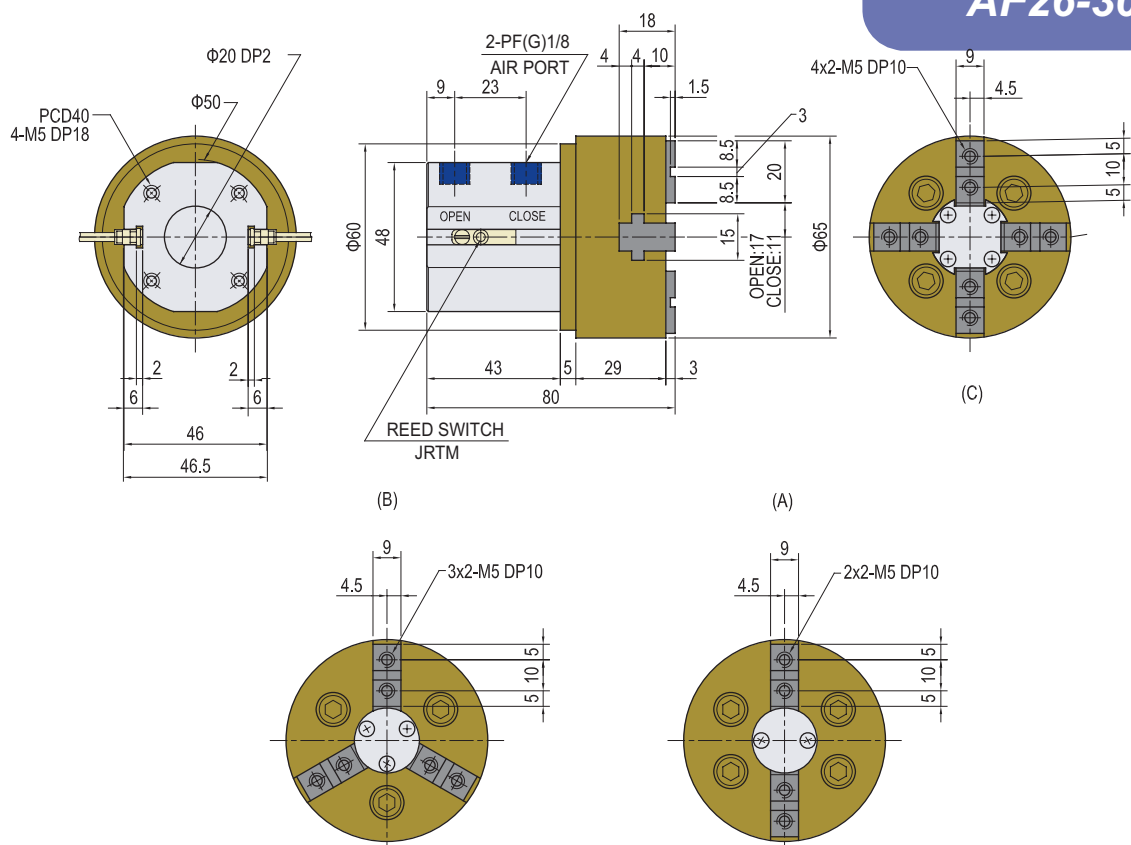


# AF26

## AF26-25

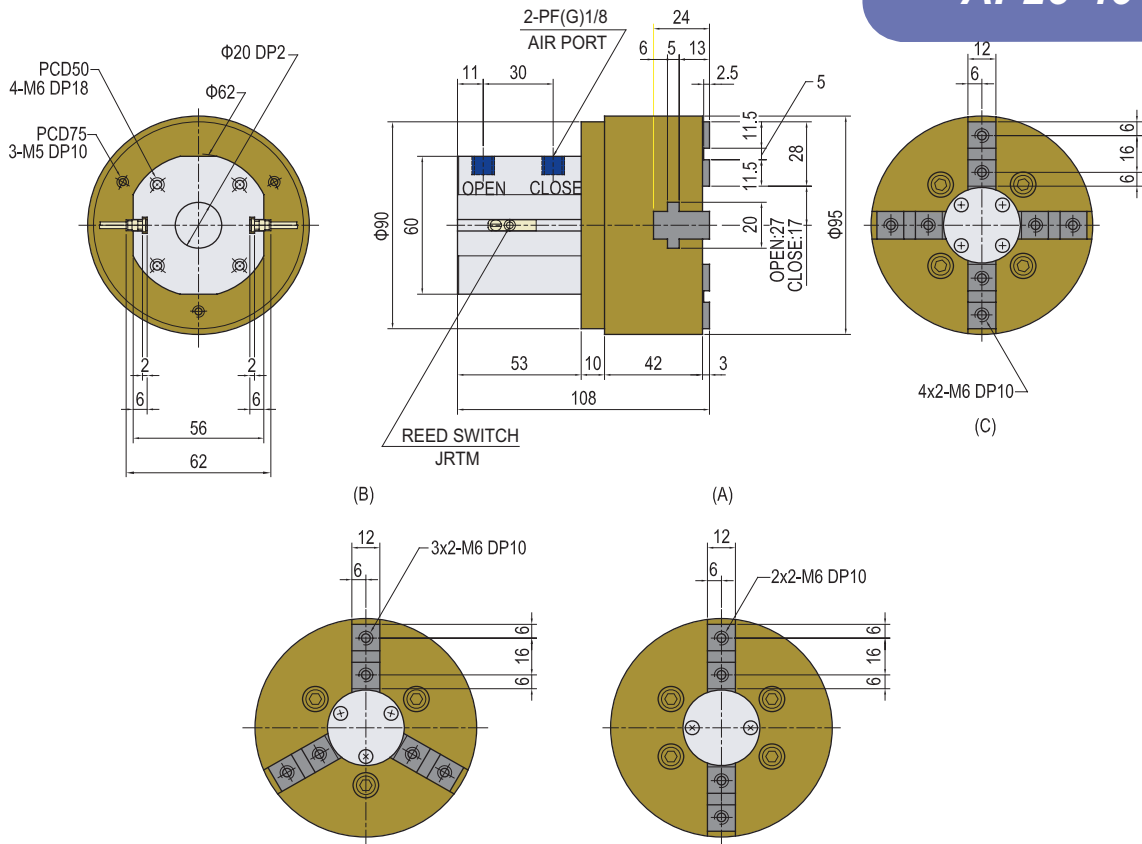


## AF26-30

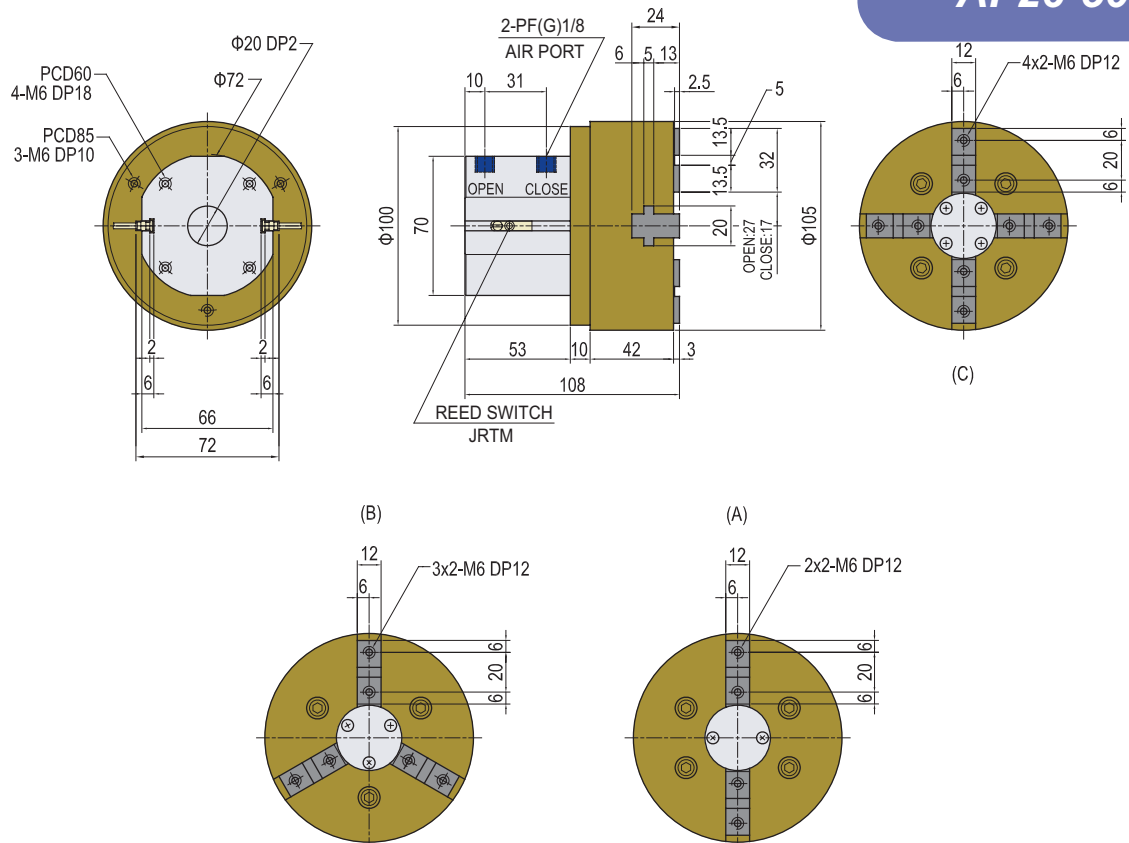


# AF26

## AF26-40



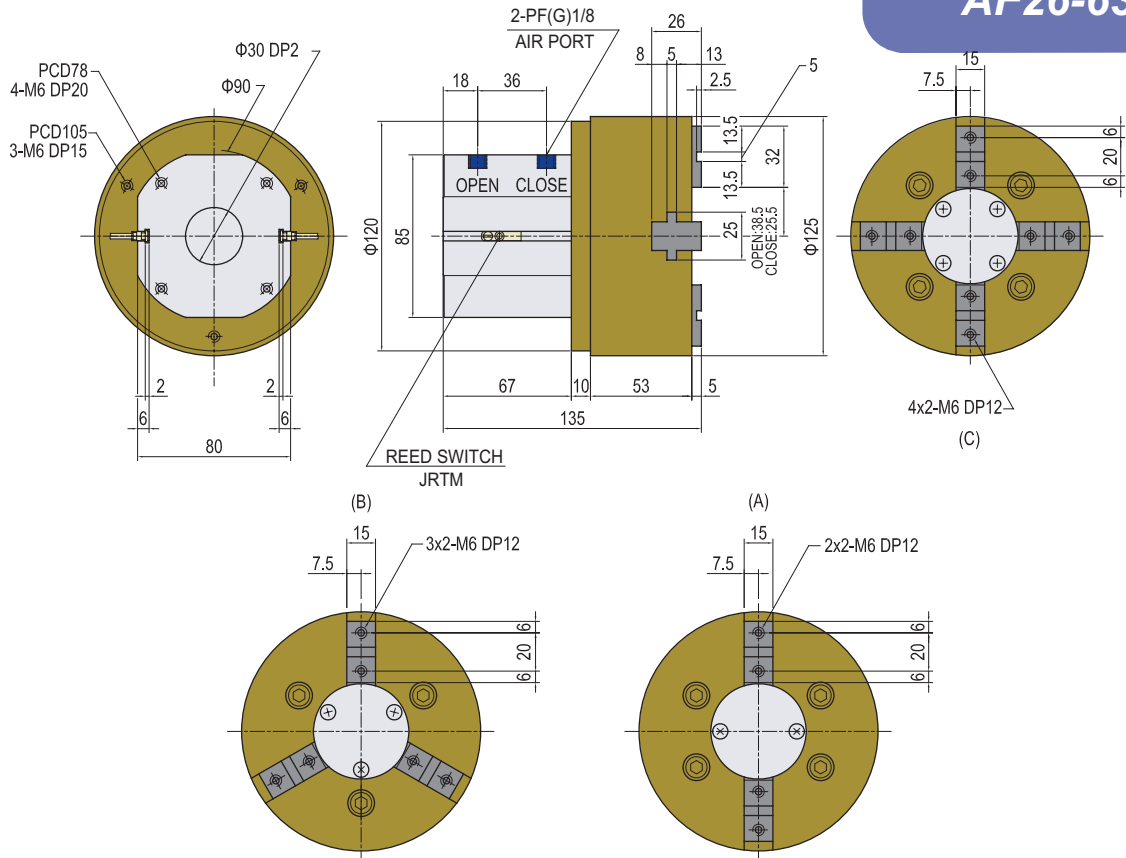
## AF26-50



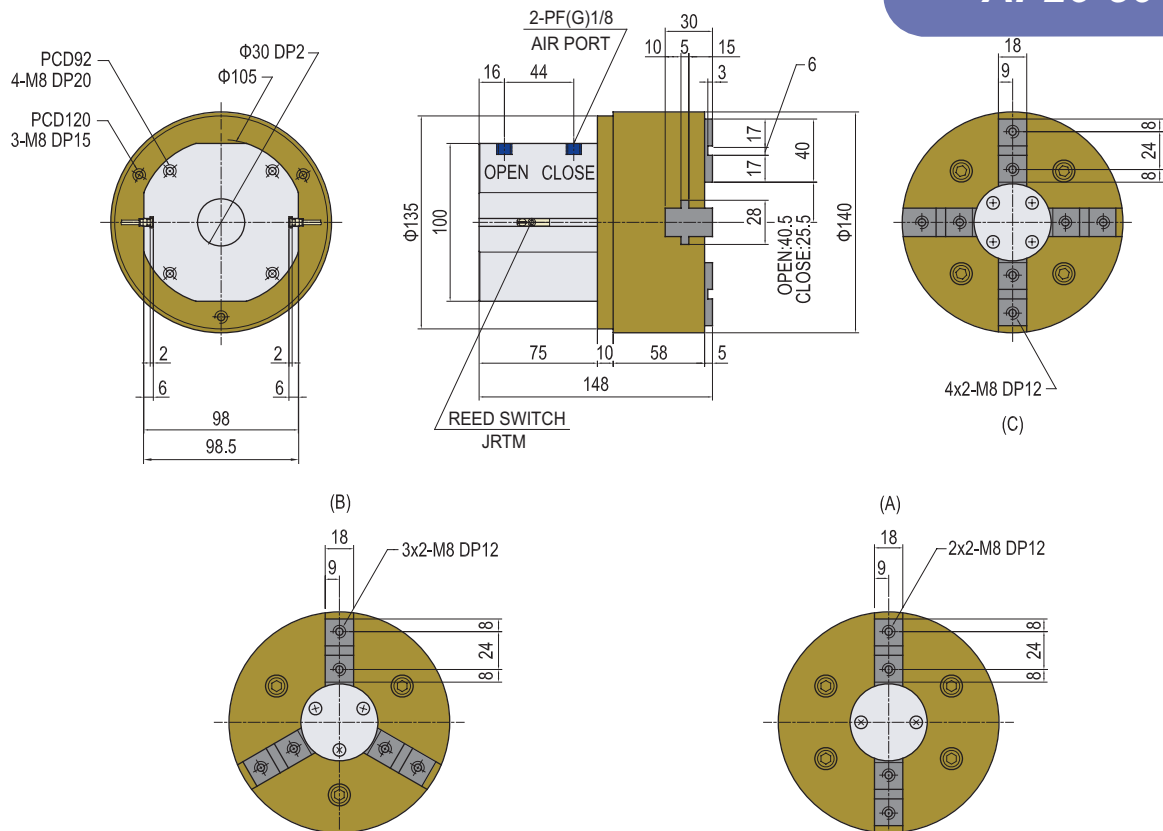


# AF26

## AF26-63

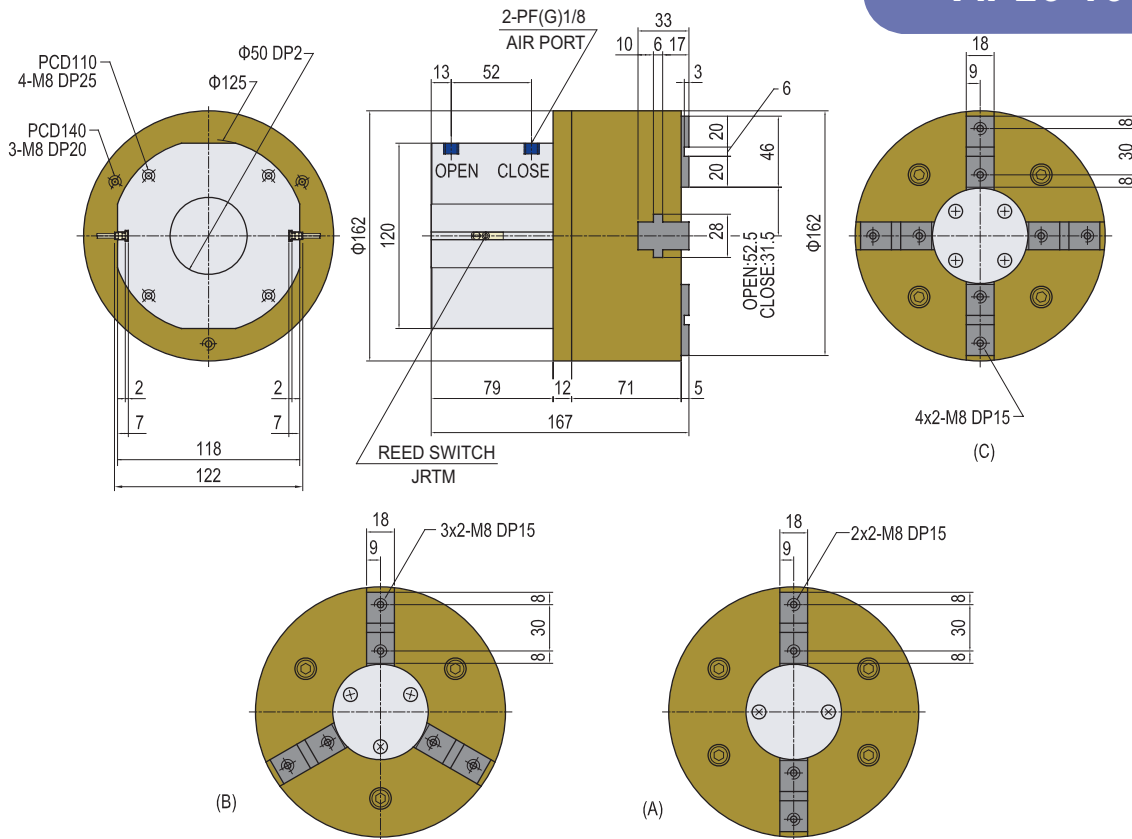


## AF26-80



# AF26

## AF26-100



## Note