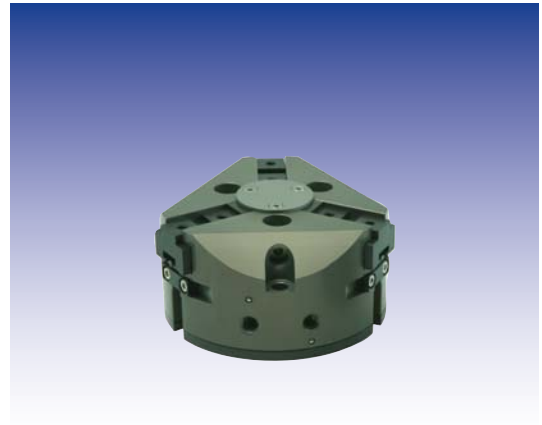


Gripper

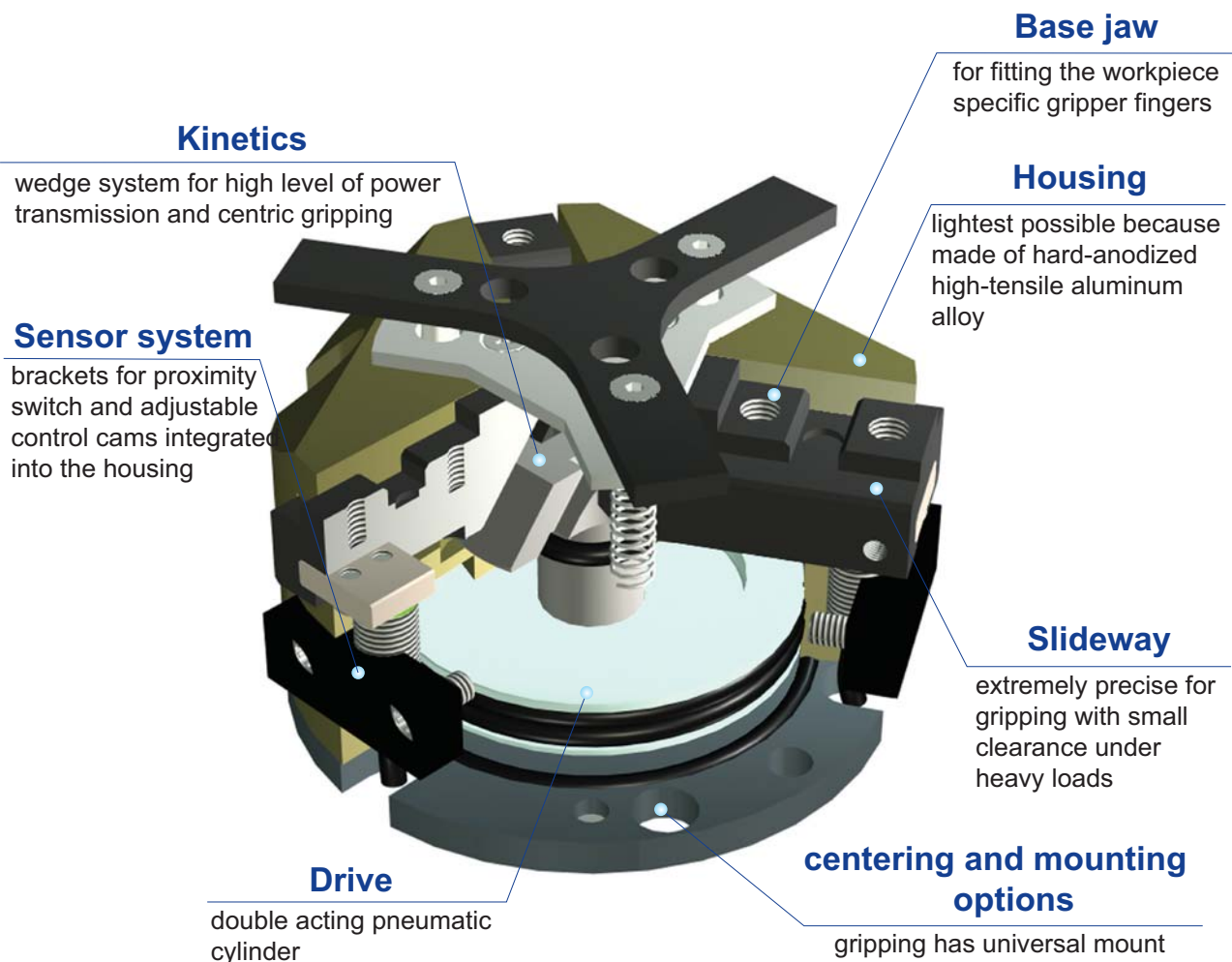
AF46-30,40,55,75,95,125,160N

Character

- Compact structure by wedge guide driving unit
- Possible to use without the supply tube when you use back side support port (BP option)
- Proximity sensor is available for open-close sensing
- Easy to grip the center of workpiece by the cylindrical structure

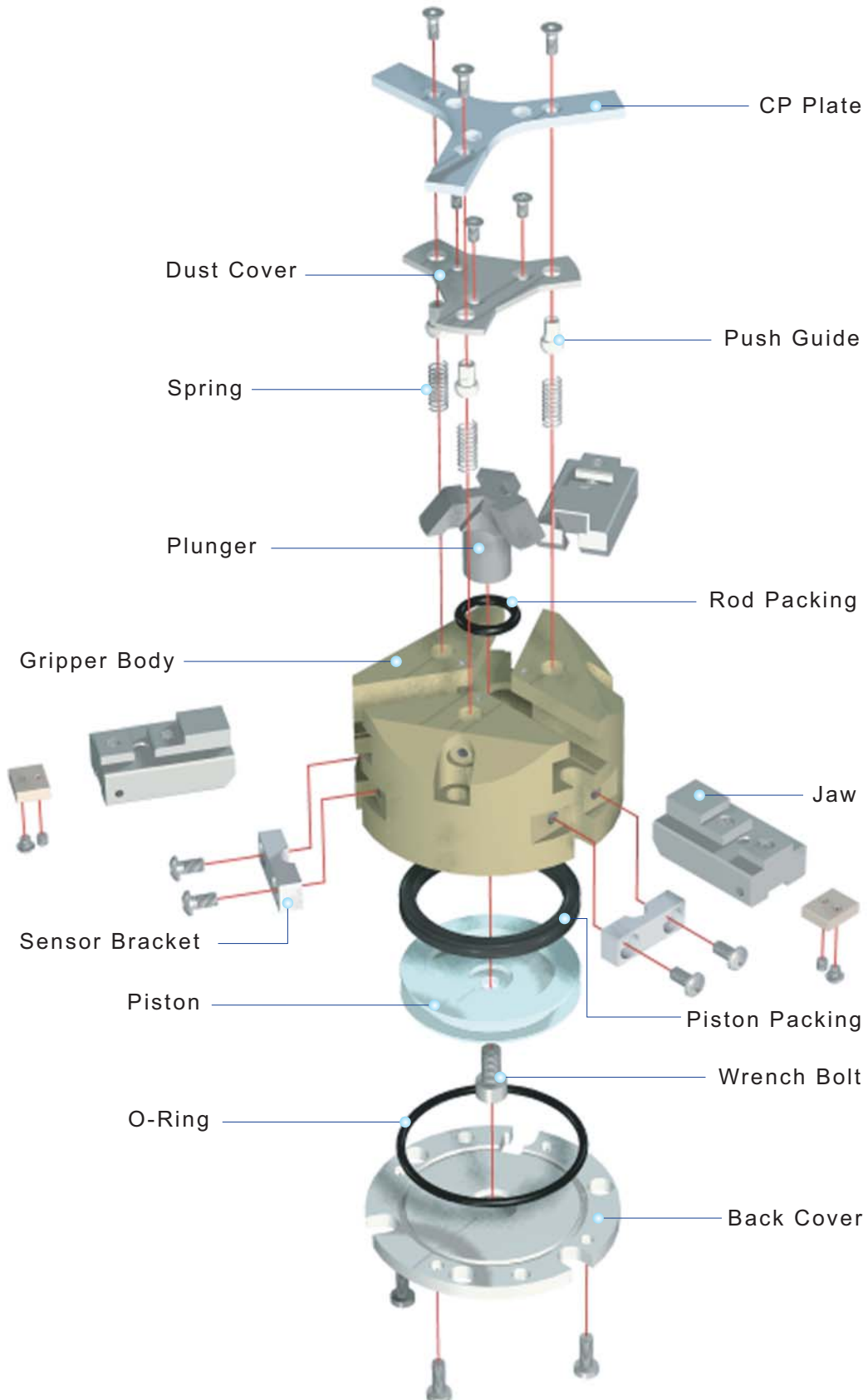


Wedge type



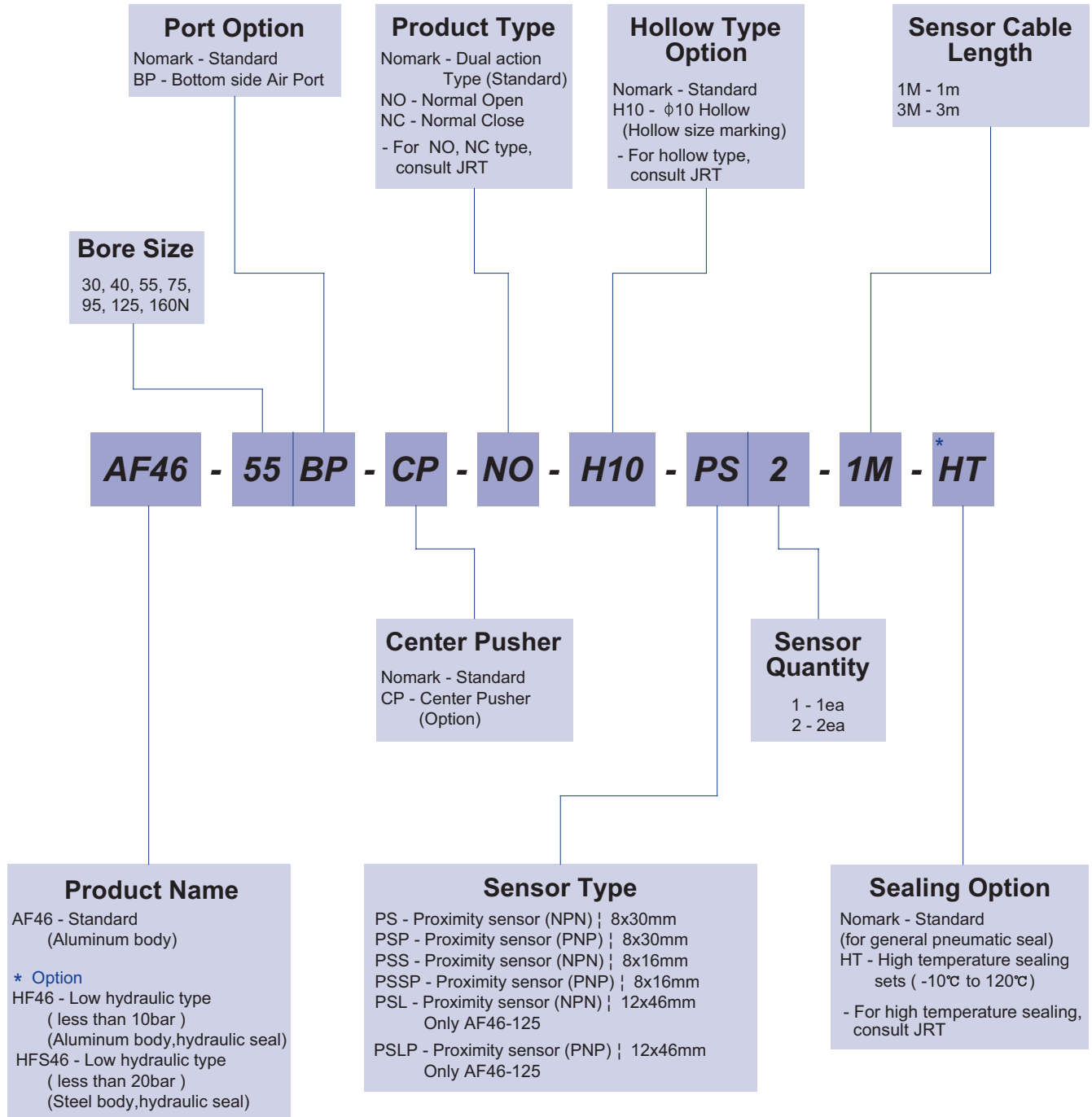
AF46

Exploded view



AF46

Ordering Code



The delivery of * mark option is longer than a standard, So inquire of JRT

AF46

Specification

P=Air Pressure[bar] , L=Exertion length[mm]

Products Name	AF46-30	AF46-40	AF46-55	AF46-75	Unit
Stroke	8	12	16	20	mm
Weight	0.24	0.43	0.75	1.30	kg
Max. length of attach	50	60	80	100	mm
Fitting size	M5	M5	M5	PF(G) 1/8	
Gripping force:Open	60.82P/(1+0.01L)	109.87P/(1+0.008L)	241.33P/(1+0.01L)	421.83P/(1+0.007L)	N
Gripping force:Close	52.97P/(1+0.01L)	98.1P/(1+0.008L)	233.48P/(1+0.01L)	403.19P/(1+0.007L)	N
Air consumption per cycle	6.8	19.9	46.0	103.6	cm ³
Closing / Opening time	0.01 / 0.01	0.02 / 0.02	0.05 / 0.05	0.10 / 0.10	sec
* Repeat accuracy	0.01	0.01	0.01	0.01	mm
Max.cycle per minute	60	50	50	40	
Operating pressure	3~7				bar
Ambient temperature	-5 to 60				°C
Lubrication	Needless				

* After 100 consecutive strokes to end positions

P=Air Pressure[bar] , L=Exertion length[mm]

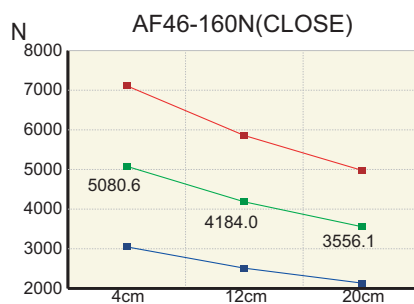
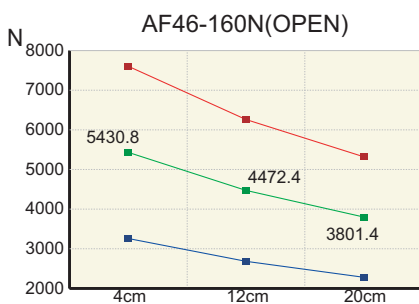
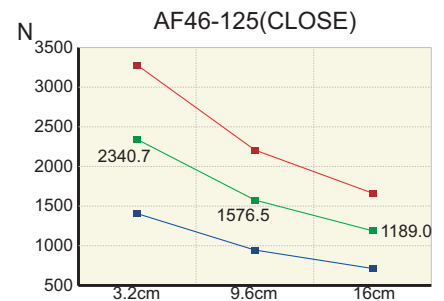
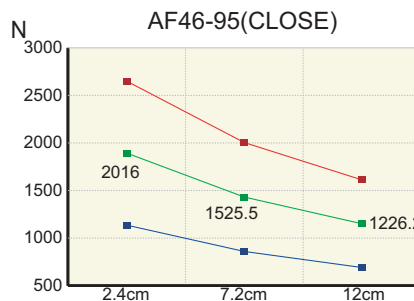
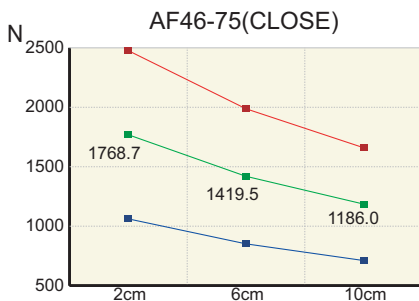
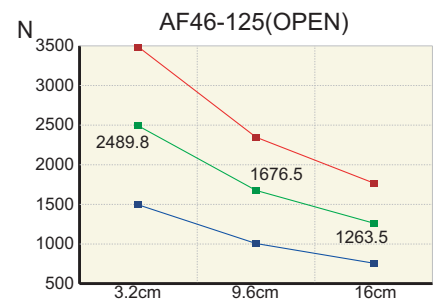
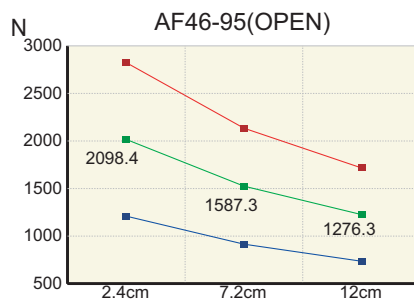
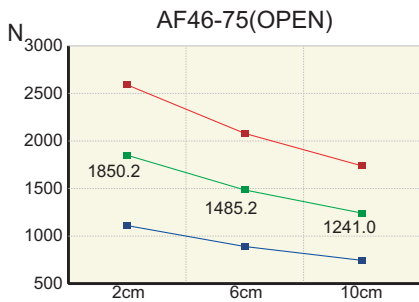
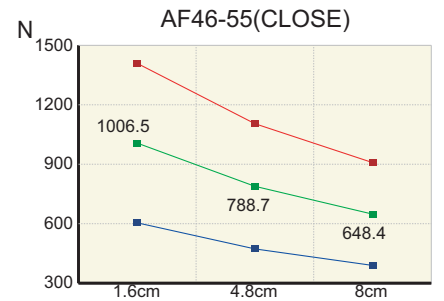
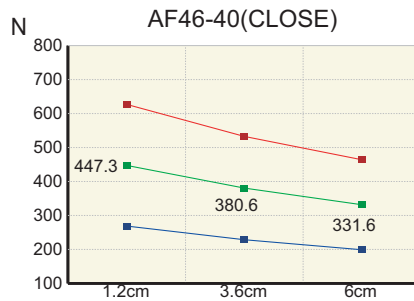
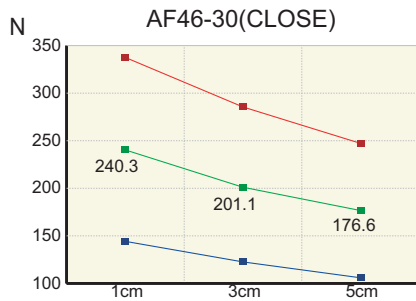
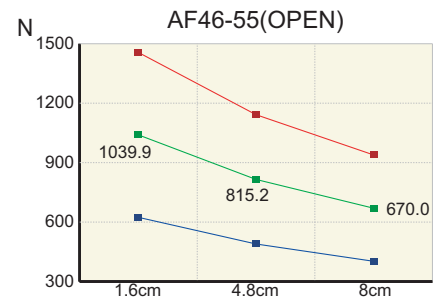
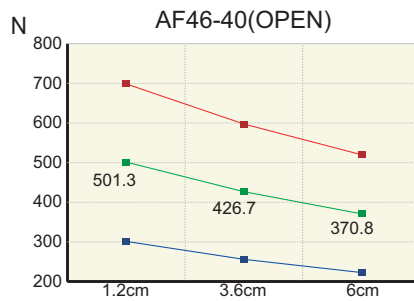
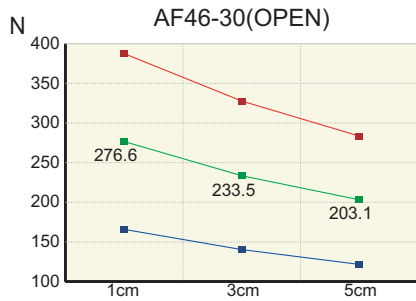
Products Name	AF46-95	AF46-125	AF46-160N	Unit
Stroke	26	32	50	mm
Weight	2.05	4.07	10.85	Kg
Max. length of attach	120	160	200	mm
Fitting size	PF(G) 1/8	PF(G) 1/8	PF(G) 1/8	
Gripping force:Open	500.31P/(1+0.008L)	657.27P/(1+0.01L)	1216.44P/(1+0.003L)	N
Gripping force:Close	480.69P/(1+0.008L)	618.03P/(1+0.01L)	1137.96P/(1+0.003L)	N
Air consumption per cycle	213.8	466.6	1182.2	cm ³
Closing / Opening time	0.22 / 0.22	0.50 / 0.50	0.12 / 0.12	sec
* Repeat accuracy	0.02	0.05	0.05	mm
Max.cycle per minute	40	30	20	
Operating pressure	3~7			bar
Ambient temperature	-5 to 60			°C
Lubrication	Needless			

* After 100 consecutive strokes to end positions

AF46

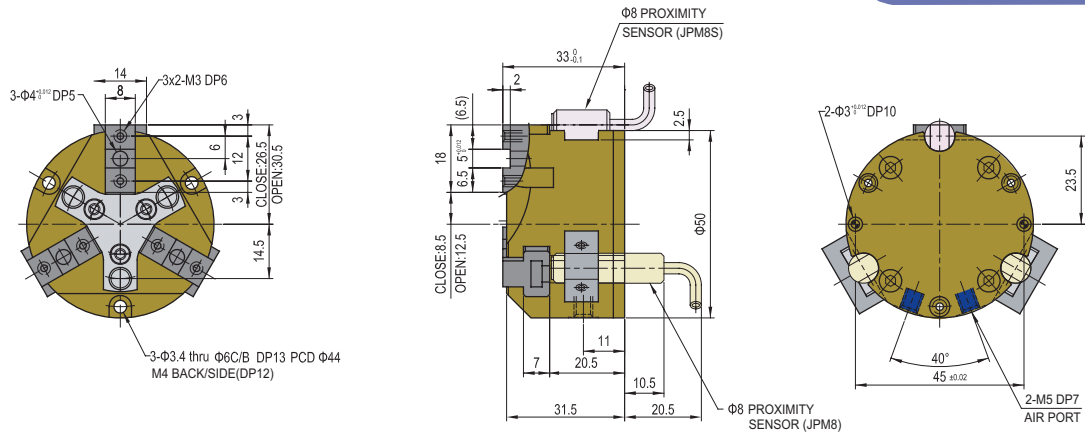
Gripping Force per exertion length

Legend : ■ 7[bar] ■ 5[bar] ■ 3[bar]

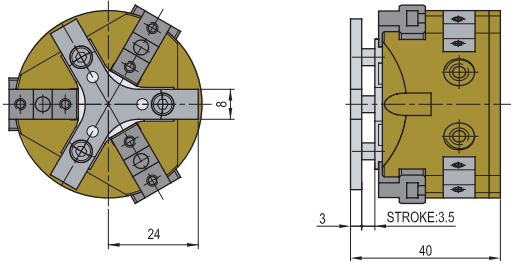


AF46

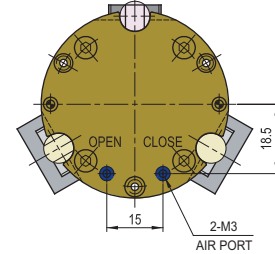
AF46-30



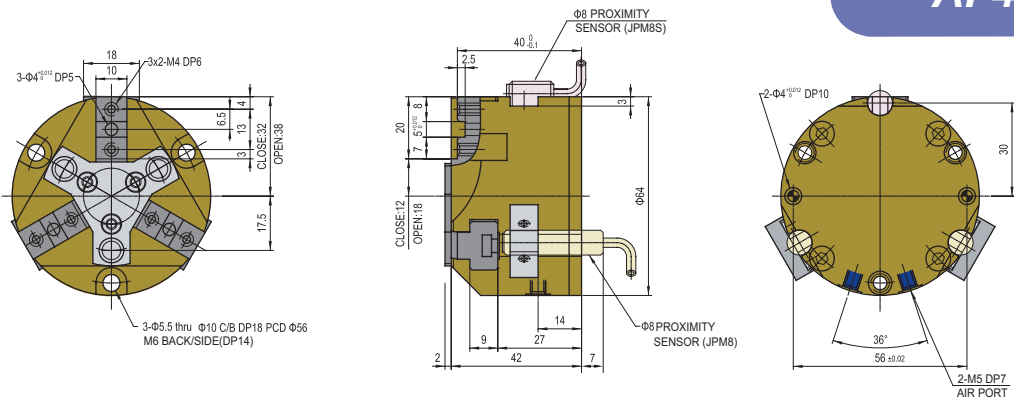
CP STANDARD OPTION DIMENSION



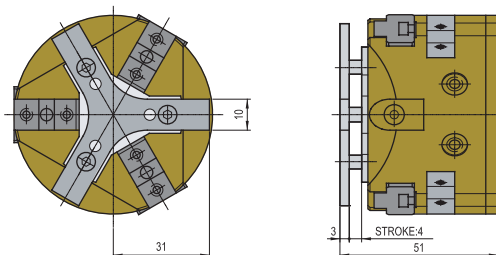
BP OPTION DIMENSION



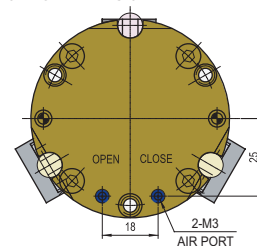
AF46-40



CP STANDARD OPTION DIMENSION

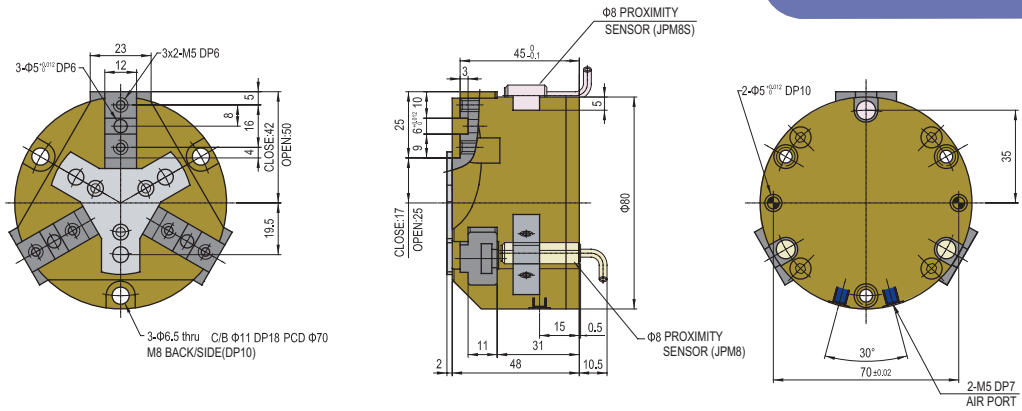


BP OPTION DIMENSION

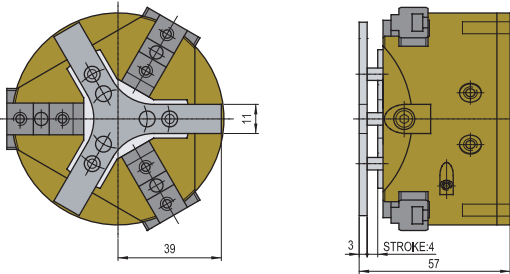


AF46

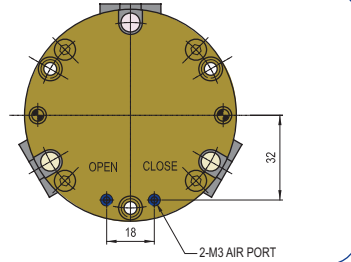
AF46-55



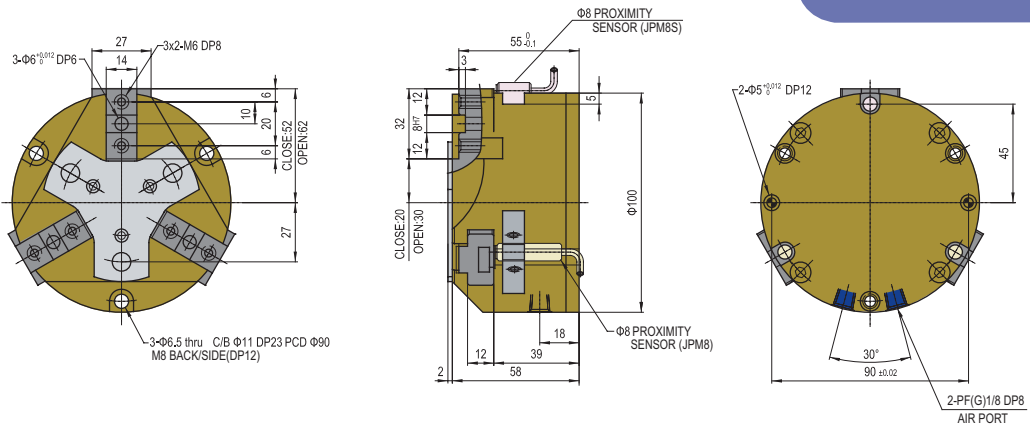
CP STANDARD OPTION DIMENSION



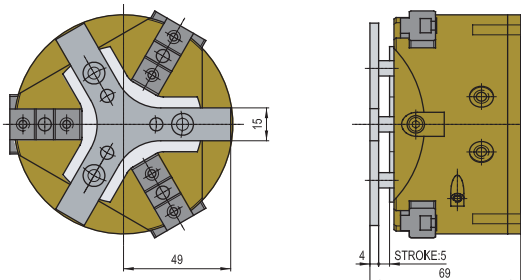
BP OPTION DIMENSION



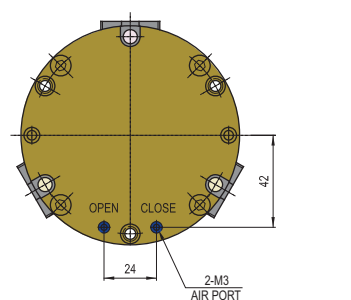
AF46-75



CP STANDARD OPTION DIMENSION

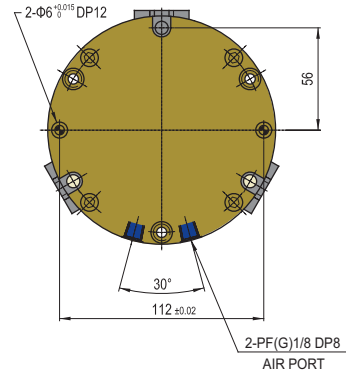
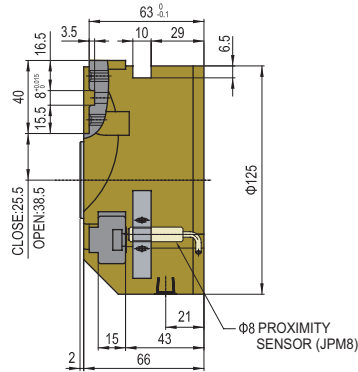
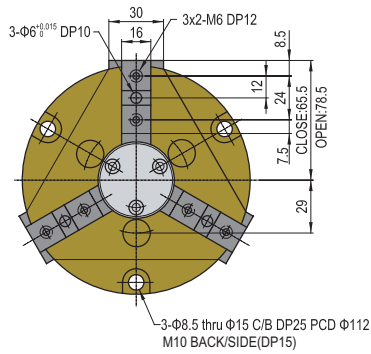


BP OPTION DIMENSION

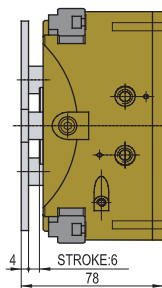
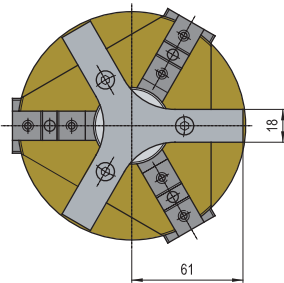


AF46

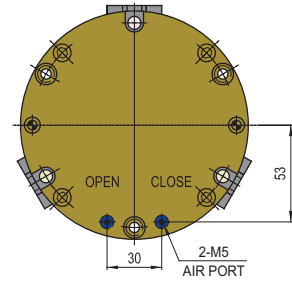
AF46-95



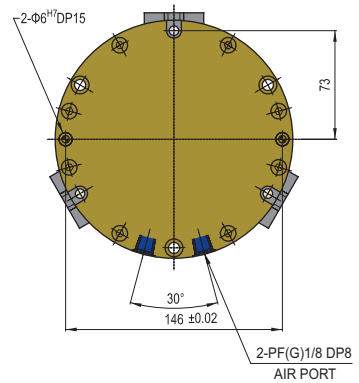
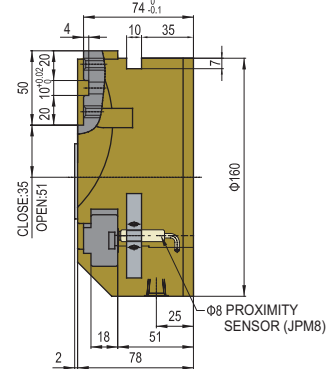
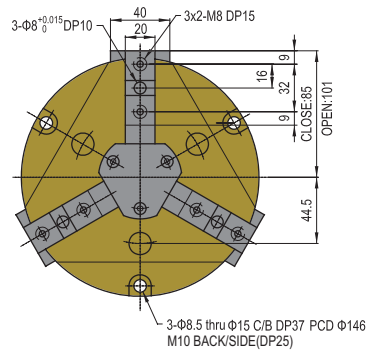
CP STANDARD OPTION DIMENSION



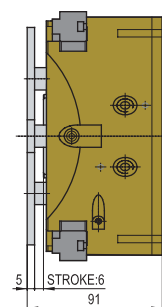
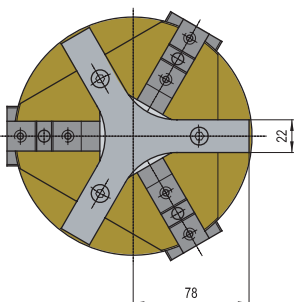
BP OPTION DIMENSION



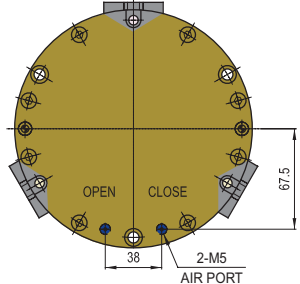
AF46-125



CP STANDARD OPTION DIMENSION

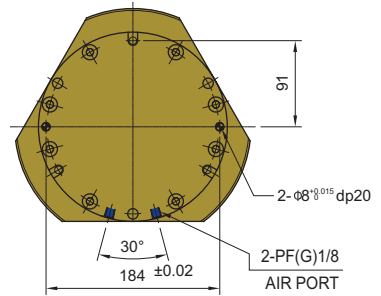
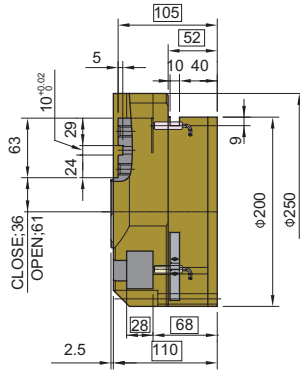
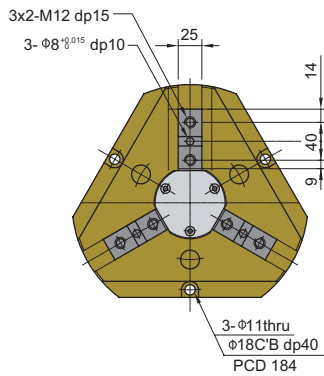


BP OPTION DIMENSION

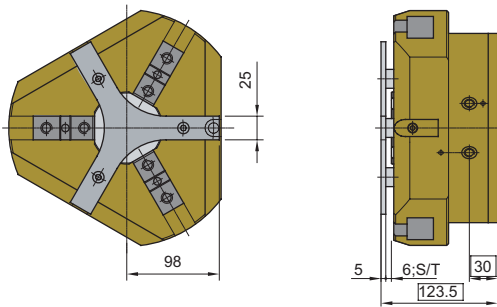


AF46

AF46-160N

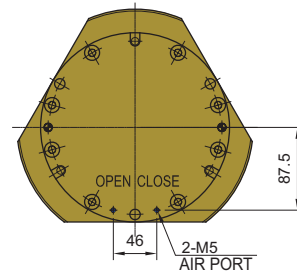


CP OPTION DIMENSION



1. The dimension was changed order to improve the operations of the standard AF46-160

BP OPTION DIMENSION



2. The measurements in the parenthesis are changed specifications, and other measurements are identical to those of AF46-160

Note

Notes

A large grid of dashed lines for writing notes. The grid consists of 20 columns and 20 rows of squares, with rounded corners on the top and bottom edges. The lines are thin and gray, creating a clean and professional appearance.