

KRACHT®

- | Gear Pumps
- | Flow Measurement
- | Hydraulics
- | Valves

Screw type flow meters **SVC**



Flow range	0.001 ... 3 750 l/min
Temperature range	-60 ... 210 °C
Maximum pressure	... 480 bar

In addition to our standard products, in close cooperation with our customers we have developed application-specific special solutions for fluidic measurement technology. The associated high-performance electronics process the signals supplied by the flow meter and ensure that processes are precisely monitored, regulated and controlled.

Benefit from our developments!
Get in touch with us. We would be glad to advise you.

Gear type flow meters

VC
Spheroidal cast iron / stainless steel



Gear type flow meters

VCA
Aluminium



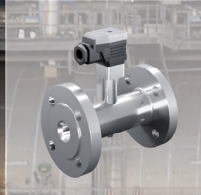
Screw type flow meters

SVC
Spheroidal cast iron



Turbine flow meters

TM
Stainless steel



Valve position indicator

VOLUMEC



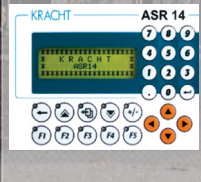
Electronics

ASR 30
Control unit



Electronics

ASR 14
Control unit



Electronics

AS 8
Control unit



Electronics

SD 1
Plug-in display



Exact with us

Applications and media

Pumpable liquids with a certain lubricity can be measured. These fluids include oils, brake fluid, diesel, Skydrol, paints, polyol + isocyanate, adhesives, resins, greases, silicones, paints, propellants, wax and solvents.

Automotive and Marine

- Test benches and plants
- Dosing and filling operating materials such as engine oils, brake fluids, antifreeze, preservatives, etc.
- Fuel consumption measurement
- Valve position indicator

Chemical Industry

- Flow rate and volume measurement in plants and plant systems
- Dosing and filling chemicals with and without abrasive fillers
- Measurement of extremely small amounts and microdosing
- Use in potentially explosive atmospheres

Paint and varnish industry

- Printing presses
- Painting systems
- Coating machines
- Dosing and filling
- Quantity, flow rate and consumption measurements
- Monitoring the mixing ratio

Hydraulics

- Flow and volume measurement
- Indirect, volumetric cylinder stroke measurement
- Cylinder synchronisation controllers
- Measurement, control, regulation of flow rates and volumes
- Test benches for pumps, motors and valves
- Filling and dosing
- Leakage monitoring
- Characteristic curve generation of hydraulic components
- Gear oil filling

Plastics Industry

- Mixing and dosing systems (single and multi-component systems)
- Consumption measurements
- Measurement and control of individual components and mixing ratios
- Flow rate and volume measurements
- Polyurethane (polyol and isocyanate)
- Low and high pressure dosing machines
- Dosing systems for pentane processing
- Block foam plants
- Paint dosages
- Premixing stations
- Hot melt adhesives

KRACHT®

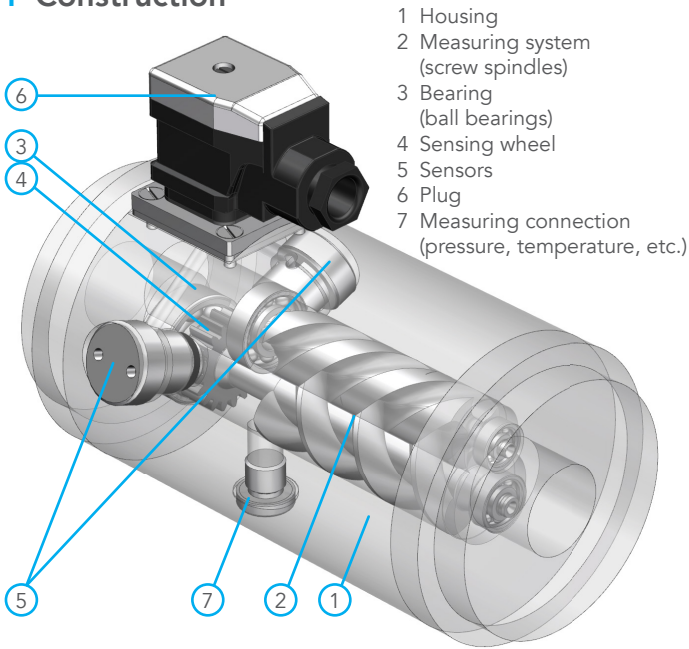
Your fluid solution partner

Contents

Construction Function General product characteristics Approvals	6
Sensor versions	7
General characteristics Accuracy characteristics	8
Technical data	9 – 10
Type key	11
Electrical connections Signal characteristics	12
Electrical characteristics	13
IO-Link	14
Explosion-proof design variant (ATEX/IECEX)	15
Pressure drop charts	16 – 17
SVC technical drawings overview	18
SVC technical drawings (dimensions/weights)	19 – 26
Flow measurement overview	27

Description

I Construction



I Function

Two high-precision screw spindles (2) with rolling-element bearings (3) for low friction. The liquid flow makes the spindles rotate (displacement principle) and runs through the device in axial direction. Flow in and out takes place without hardly any deflection, which means the device only loses comparatively little pressure. The measuring principle does not cause any pressure or volume flow pulsation. Because there is no need for settling sections on the inlet and outlet side, machines/plants can be designed to be more compact. All moving parts are lubricated by the measuring medium.

The spindle-mounted sensing wheel is scanned by two contact-free sensors by default. The plug is equipped with a pre-amplifier that converts the sensor signal into a square-wave signal which serves as output signal. The dual-channel scanning facilitates a higher measuring resolution and detection of the direction of flow. Alternatively available encoder specifications deliver maximal measurement resolution.

I Product characteristics

- High-precision measurements with excellent repeatability
- Pulsation-free measuring principle
- Maximal measurement resolution if used with encoder
- IO-Link technology available
- Wide measurement ranges with appropriate design sizes
- Application-optimised specification
- Very low pressure drop
- Any flow direction (see preferred direction of encoder versions)
- Wide temperature range
- High working pressure
- Very low noise
- Highly-dynamic measurements
- Explosion-proof versions ATEX/IECEx
- Electronics in EMV-compliant version
- RoHS-compliant

I Approvals

	Description	Country
	EU compliance – EMV – pressure equipment – RoHS	European Union
	EAC EMV guideline	Eurasian Economic Community
	GOST metrology, measurement technology	Russia
	IO-Link	International

Description

I Standard version



The standard versions come with an integrated pre-amplifier which converts the pulses from the magnetic sensors into square-wave signals which are then computed by an electronics into specific measurement values.

The optionally available remote-electronics version is designed to handle extreme temperature ranges.

I Encoder version with maximised measurement resolution



Compared with standard sensors, encoders are capable of generating considerably more pulses, thus increasing measurement resolution by orders of magnitude. Encoder-equipped SVC flow meters generate up to 2 500 pulses per revolution and can recognise the direction of flow.

Encoders, like the standard versions, send square-wave signals to the electronics.

I IO-Link version with internal calculation of measured values



SVC flow meters with IO-Link technology are based on standard SVCs with two sensors. Unlike the versions with pre-amplifier which always send a square-wave signal to the electronics, IO-Link devices have the added capability of internally computing concrete measurement values. Therefore, these flow meters lend themselves for use in classic PLC and in IO-Link infrastructures.

Please see page 14 for details.

Technical data

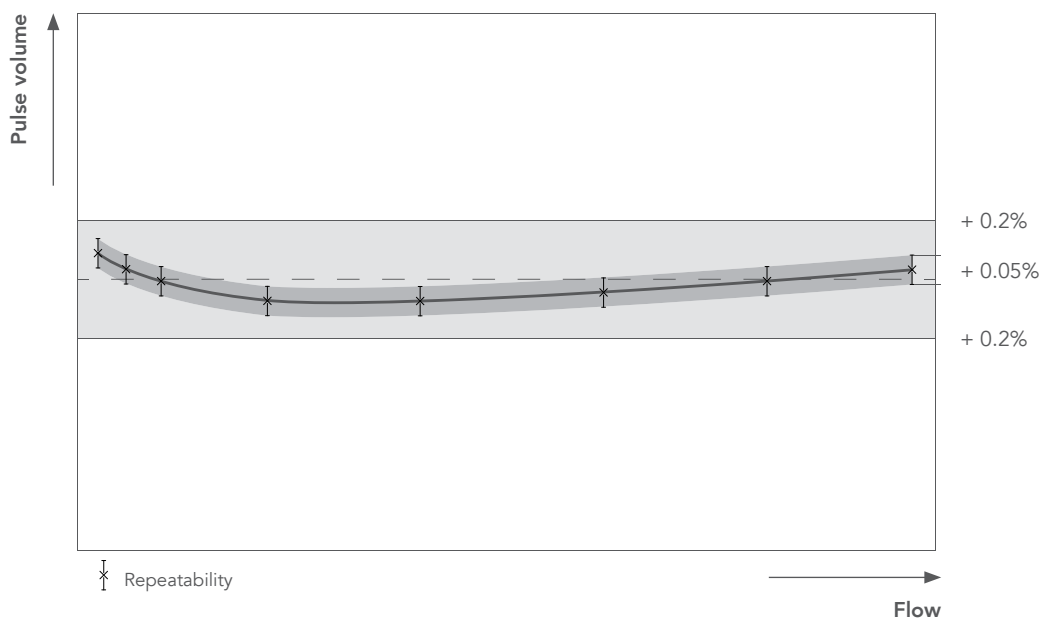
I General characteristics

Nominal sizes	4 · 10 · 40 · 100 · 250	
Type of connection	Pipe connection (R), SAE flange (S), DIN flange (D)	
Mounting position	any	
Flow direction	any	
Preferred direction of flow (only for encoder versions)	Large bearing > small bearing	
Typical measurement accuracy	+/- 0.2% from 20 mm ² /s viscosity values	
Maximum pressure (standard versions)	SVC 10	250 bar
	SVC 40	250 bar
	SVC 100	140 bar
	SVC 250	40 bar
Maximal pressure (high-pressure versions)	SVC 4	480 bar
	SVC 10	480 bar
	SVC 40	480 bar
maximum permissible pressure loss	temporary	25 bar
	permanent	7 bar (at 50% of max. flow rate)
	SVC 100 (ATEX version)	10 bar
Ambient temperature	-40 ... 150°C	
Media temperature	-40 ... 210°C	
Viscosity	... 2 500 000 mm ² /s (depending on flow)	
Sound pressure level	... 52 dB(A)	

I Accuracy characteristics

- The indicated measurement accuracy refers to the pulse volume, i.e. the percentage variance applies to the latest measurement value.
- The measurement accuracy is up to +/- 0.2% of the measured value by default.
- Repeatability is +/- 0.05% in stable conditions.
- The measurement accuracy tests performed can be traced to DAkkS (Deutsche Akkreditierungsstelle, German Accreditation Body).
- The measurement accuracy characteristics indicated by KRACHT is confirmed by DAkkS.
- A calibration is possible on request. The result of this calibration will be documented in the form of a measurement accuracy characteristic.

Typical measurement accuracy characteristic

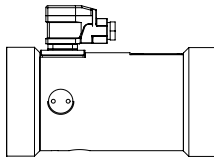
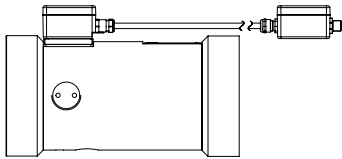


Technical data

I Materials

Housing and flanges	EN-GJS-400-15 (GGG-40)
Measuring spindles	Heat-treated steel
Ball bearing	Heat-treated steel
O-ring	FKM, EPDM, FEP, FKM low temperature

I Sealing elements and electronics temperature tolerance

	Versions with integrated electronics						Versions with remote electronics	
	Versions with appliance socket (Hirschmann) $T_{amb} = -40^* \dots 80^{\circ}C$						$T_{amb} = -40^* \dots 150^{\circ}C$ -40 ... 80°C	
								
Electronics versions	Standard	High-temperature	ATEX version	IO-Link	without pre-amplifier	Encoder	High-temperature PLUS	ATEX version high temperature PLUS
Type key ID	S	H	X	L	V	E	K	KX
Sealing material	Medium temperature in °C							
FKM	-30 ... 120	-30 ... 150	-15 ... 80	-40 ... 120	-40 ... 120	-15 ... 80	-	
EPDM		-	-30 ... 80			-20 ... 80	-	
FEP		-30 ... 150	-30** ... 80			-30 ... 210	-30** ... 180	
FKM low temperature	-40 ... 120	-40 ... 150	-	-	-	-	-40 ... 150	-15 ... 200

* For ATEX/IECEX: T_{amb} min FKM = -15 °C
 T_{amb} min EPDM = -30 °C
 T_{amb} min FEP = -30 °C
 T_{amb} min FKM low temp. = -15 °C

** Devices produced up to and including 2019 can be used at temperatures of up to -15°C

Technical data

I Operating characteristics

Nominal size	Pulse volume	Resolution	Resolution 4-fold*	Pulse frequency with Q_{max}	Measuring unit starting at		Measuring range
					Horizontal mounting position	Vertical mounting position	
	cm ³ /pulse	pulse/l	pulse/l	Hz	l/min	l/min	l/min
10	1.4180	705.20	2820.9	1763	0.05	0.02	1.0 ... 150
40	5.1300	194.90	779.7	1950	0.10	0.02	4.0 ... 600
100	9.8200	101.80	407.3	2546	0.15	0.03	10.0 ... 1500 10.0 ... 1,000 (ATEX version)
250	18.2500	54.80	219.2	3425	0.90	0.06	25.0 ... 3750

I High-pressure version characteristics

Nominal size	Pulse volume	Resolution	Resolution 4-fold*	Pulse frequency with Q_{max}	Measuring unit starting at		Measuring range
					Horizontal mounting position	Vertical mounting position	
	cm ³ /pulse	pulse/l	pulse/l	Hz	l/min	l/min	l/min
4	0.2550	3921.60	15686.3	3921	0.03	0.01	0.4 ... 60
10	0.7085	1410.44	5641.8	3534	0.05	0.02	1.0 ... 150
40	5.1300	194.90	779.7	1950	0.10	0.02	4.0 ... 600

* Resolution with both measuring channels and 4-fold evaluation

I Encoder version characteristics

Nominal size	Sensor resolution*	Pulse volume	Resolution	Measured value resolution 4-fold**	Pulse frequency at Q_{nom}	Measuring unit starting at		Measuring range
	pulse/rev					cm ³ /pulse	pulse/l	
10	512	0.078926	12670	50681	21117	0.05	0.02	1.0 ... 150
10	2500	0.016164	61866	247463	103110			

* More sensor resolutions available on request

** Resolution with both measuring channels and 4-fold evaluation

Type key

Example

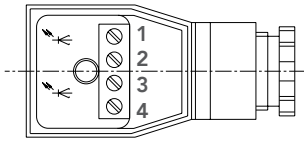
SVC	10	K	1	F	1	R	2	S	H
1	2	3	4	5	6	7	8	9	11

1 Product					
2 Nominal size					
4		10		40	
				100	
				250	
3 Bearing					
K			T		
Ball bearing			FKM cupsuled ball bearing (only nominal sizes 4 and 10)		
4 Material					
1			3		
Standard version Housing spheroidal cast iron GJS-400 / spindles steel			High-pressure version Housing spheroidal cast iron GJS-600 / spindles steel		
5 Sealing					
F		E		P	
FKM		EPDM		FEP	
				L	
				FKM low temperature	
6 Surface					
1		2		3	
Standard (coated)		Coating Skydrol-resistant		without coating	
7 Connection type					
R		S		D	
Pipe connection		SAE		DIN	
8 Sensors					Note
2	2 sensors				
5	Encoder (only nominal size 10)				
6	High-res (only nominal sizes 4 and 10)				Pos. 4: only with 3
9 Electronic version (pre-amplifier)					
		Voltage	Media temperature	Conversion	Note
S	Standard	24 V	-40 ... 120°C	internal	
H	High temperature	24 V	... 150°C	internal	
K	High temperature PLUS	24 V	... 210°C	external	
X	ATEX/IECEX (isolating switching amplifier to be ordered separately)		... 80°C	internal	Pos. 11: only with H
KX	ATEX/IECEX High Temperature PLUS		... 200°C	external	Pos. 11: only with V
L	IO-Link	9 ... 36 V	... 80°C	internal	
V	without pre-amplifier		... 120°C		
E	Encoder (only nominal size 10)	11 ... 30 V	... 100°C	internal	
10 Cable length					
without cable between flow meter and electronic		2 with 2m cable		5 with 5 m cable	
				10 with 10 m cable	
11 Electrical connection (plug and pre-amplifier case)					
H	Appliance socket (Hirschmann)	standard			
M	Appliance socket (Hirschmann)	with M12x1 4-pole connection			
C	Aluminium connection box	with Cannon plug KPTC			
V	without				
512	Encoder with 512 pulse/rev	with M12x1 4-pole connection			
2500	Encoder with 2500 pulse/rev	with M12x1 4-pole connection			

Electronics

I Electrical connections

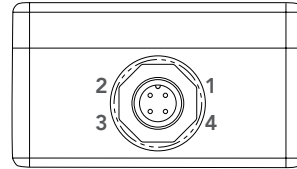
Standard and high-temperature versions



1: U _B (brown)
2: Channel 1 (green)
3: Channel 2 (yellow)
4: 0 Volt (white)

High-temperature PLUS and low-temperature version

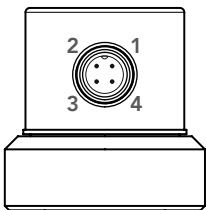
Connection plug arrangement (M12x1 4-pole round connector)



1: U _B (brown)
2: Channel 1 (white)
3: 0 Volt (blue)
4: Channel 2 (black)

Encoder version

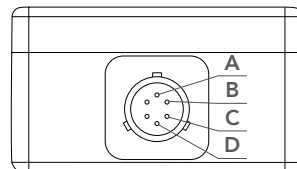
Connection plug arrangement (M12x1 metal/4-pole round connector)



1: U _B
2: Channel 1
3: 0 Volt
4: Channel 2

Cannon version

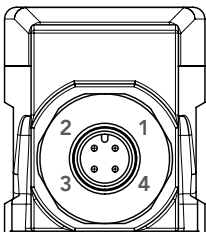
Connection plug arrangement



A: U _B (brown)
B: Channel 1 (green)
C: Channel 2 (yellow)
D: 0 Volt (white)

IO-Link version

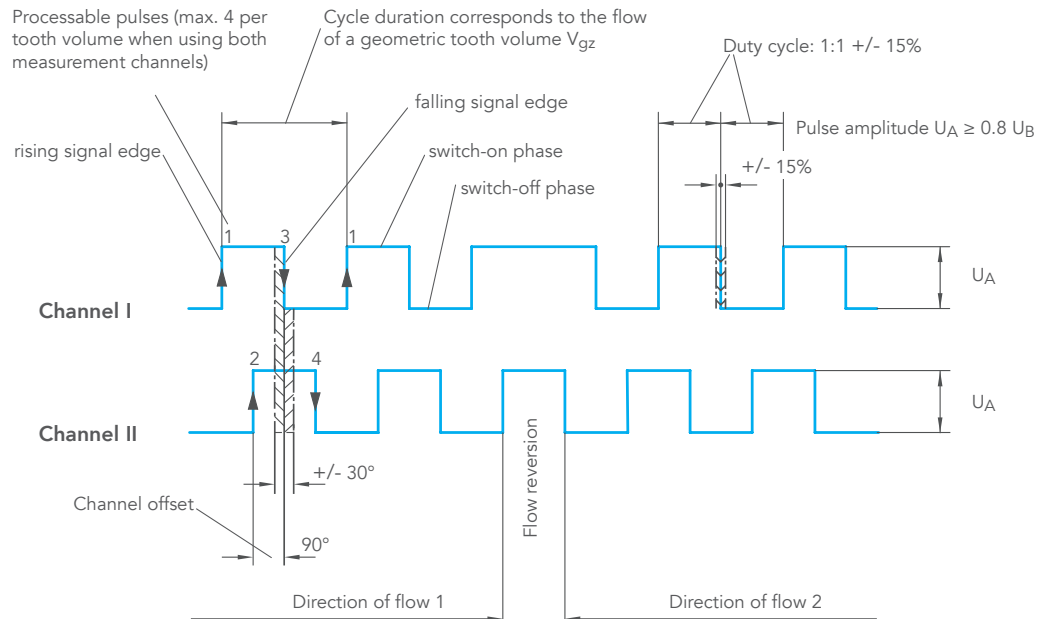
Connection plug arrangement (M12x1 metal/4-pole round connector)



	IO-Link mode	SIO mode
1: brown	U _B	
2: white	I/Q	Channel 1
3: blue	0 Volt	
4: black	C/Q	Channel 2

I Signal characteristics (standard, high-temperature, encoder, IO-Link versions in SIO mode)

The pre-amplifier-generated square-wave signal enables application-specific resolutions. Standard resolution means that the electronics will process one pulse from a channel/sensor per cycle time (rising signal edge in channel I). In contrast, the 4-fold evaluation uses the maximal pulse rate per cycle time, allowing for a resolution that is four times as high as in the standard evaluation. All characteristics of the signal (rising and falling signal edge of both sensors/channels) are exploited in the evaluation.



Electronics

I Standard versions electrical characteristics

Number of measuring channels	1 or 2
Working voltage U_B	24 V +/- 20% or 12 V +/- 20% for versions with reduced supply voltage
Pulse amplitude U_A	$\geq 0.8 U_B$
Pulse with symmetric output signal	Square duty factor/channel 1:1 $\pm 15\%$
Signal output	PNP / NPN
Pulse offset between the two channels	$90^\circ \pm 30^\circ$
Power requirement $P_{b \max}$	0.9 W
Output power / channel $P_{a \max}$	0.3 W short circuit-protected
Protection rating	IP 65

I Encoder versions electrical characteristics

Number of measuring channels	2
Working voltage U_B	11 ... 30 V
Pulse amplitude U_A	$Min_{High} \geq U_B - 3 V$ $Max_{Low} \leq 2,5 V$
Pulse shape with symmetric output signal	Square Duty factor/channel 1:1 $\pm 15\%$
Signal output	Push-Pull
Pulse offset between both channels	$90^\circ \pm 30^\circ$
Maximum load	+/- 30 mA
Power consumption	standard 45 mA Maximum 150 mA
Protection rating	IP 65

I IO-Link versions electrical characteristics

	IO-Link mode	SIO mode
Number of measuring channels	1 or 2	
Working voltage U_B	9 ... 36 V	
Pulse amplitude U_A	$Min_{High} \geq U_B - 2 V$ $Max_{Low} \leq 2 V$	
Pulse shape with symmetric Output signal	–	Square duty factor/channel 1:1 $\pm 15\%$
Signal output	active pull $\pm 200 mA$	
Pulse offset between the two channels	–	$90^\circ \pm 30^\circ$
Power requirement $P_{b \max}$	1 W	
Protection rating	IP 65	

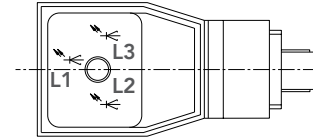
Electronics

I IO-Link

Thanks to its international standardisation (IEC 61131-9), the IO-Link technology offers a point-to-point connectivity with continuous monitoring between any desired control layer and the SVC-IO-Link assembly. Handling and startup is made easy by the associated IODD file (IO Device Description) strongly simplified

The SVC-IO-Link assembly directly delivers all measured values with units. In the preset SIO mode (standard input output), the volume counter gives square-wave signals if the IO-Link mode is not enabled by an IO-Link master. This guarantees downward compatibility of the SVC-IO-Link assembly with the standard square-wave signal (see page 12).

IO-Link connection plug

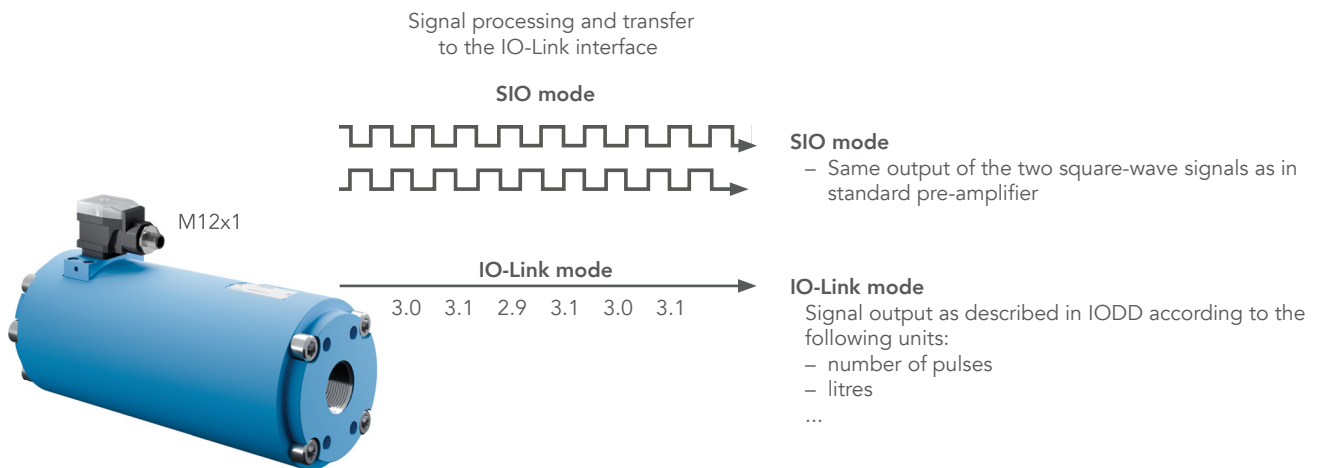


	IO-Link mode	SIO mode
L1 green	Flashing at 1/s	Continuous light, ready for operation
L2 red	Channel 1 gear detected = LED on gear not detected = LED off	
L3 red	Channel 2 gear detected = LED on gear not detected = LED off	

IO-Link characteristics

Name	SVC
Manufacturer ID	0x0524
Device ID	0x000001
Name of manufacturer	Kracht GmbH
IO-Link connection plug	V1.1
Bit rate	COM3 / 230.4 kbit/s
Minimum cycle time	500µs
SIO mode supported	Yes
Use of indexed service data (IS DU)	Yes
Data storage (DS) possible	Yes

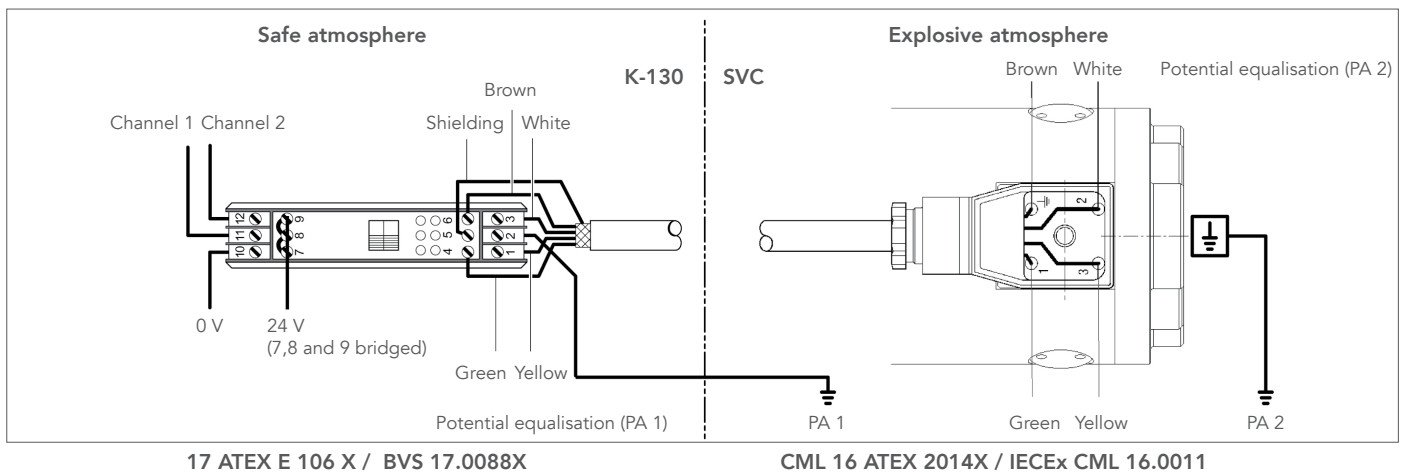
I Communication of the IO-Link assembly



Explosion-proof version (ATEX/IECEX)

I Function

- All screw type flow meters are available as explosion-proof versions according to ATEX and IECEx certification.
- The explosion-proof version consists of the flow meter (intrinsically safe electric gear) and the switching amplifier K 130 (accessory electric gear). This layout meets the ignition protection type "intrinsic safety".
- The flow meter is installed in the explosive atmosphere.
- The switching amplifier K 130 is assembled in the safe atmosphere.
- The flow meter is electrically connected with the switching amplifier. The switching amplifier analyses the sensor signals coming from the flow meter and converts them into square-wave signals.
- It is prohibited to deploy the flow meter in explosive atmospheres without switching amplifier.
- The cable between the flow meter and switching amplifier may be up to 400 m long.
- The switching amplifier features LEDs to monitor for line breakage / short circuit, channel switching state, and voltage supply.



Notes

This drawing only serves as an example for the connection of the sensors to the isolating switching amplifier K 130. Observe the applicable standards when assembling a plant in an explosive atmosphere.

Ignition protection marking (device-dependent)

⊕ II 2G Ex ia IIC T4 Gb

⊕ II 2D Ex ia IIIC T135 °C Db

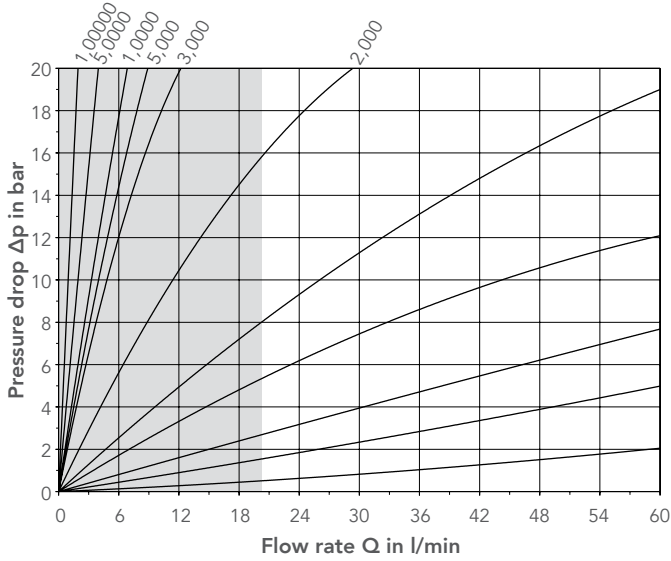
I Switching amplifier K-130 technical characteristics

Supply	
Supply voltage terminal 7 (L+), terminal 10 (L-)	DC 24 Volt +/- 20%
Output (not intrinsically safe / nominal data terminals 9, 12, 8, 11)	
Electronic outputs	electrically isolated via photocoupler
Signal level 1-signal	Output voltage > 15 V
Signal level 0-signal	Output voltage ≤ 5 V
Ambient conditions	
low threshold temperature	248 K (- 25°C)
high threshold temperature	333 K (+ 60°C)
Mechanics	
Dimensions	114.5 x 99 x 22 mm
Mounting	can be snapped on to 35mm sectional rail, DIN EN 60715

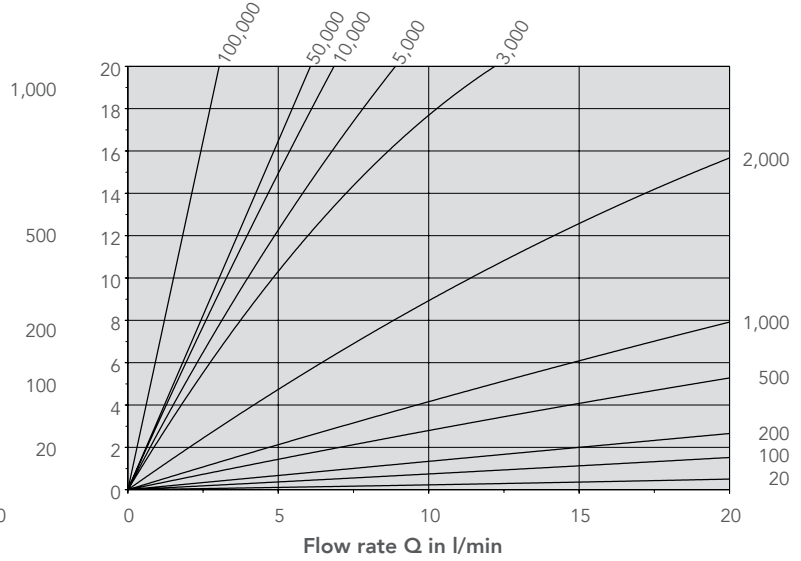
Pressure drop

I SVC 4 ... 40 parameter: Viscosity in mm²/s

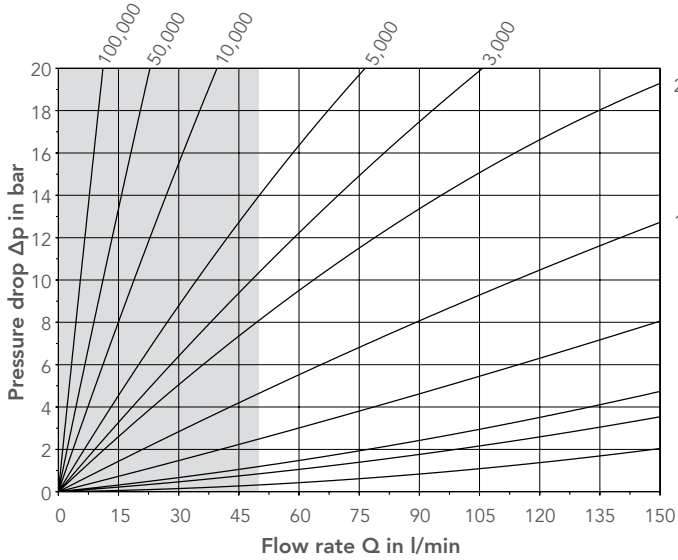
SVC 4



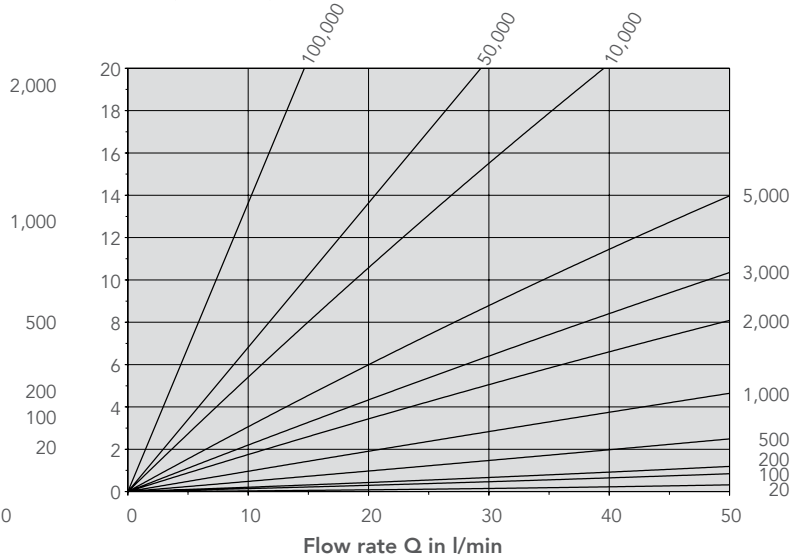
SVC 4 (section)



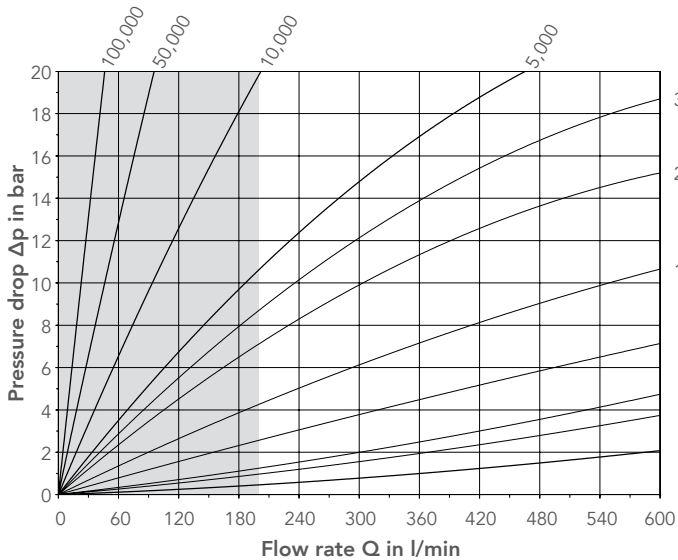
SVC 10



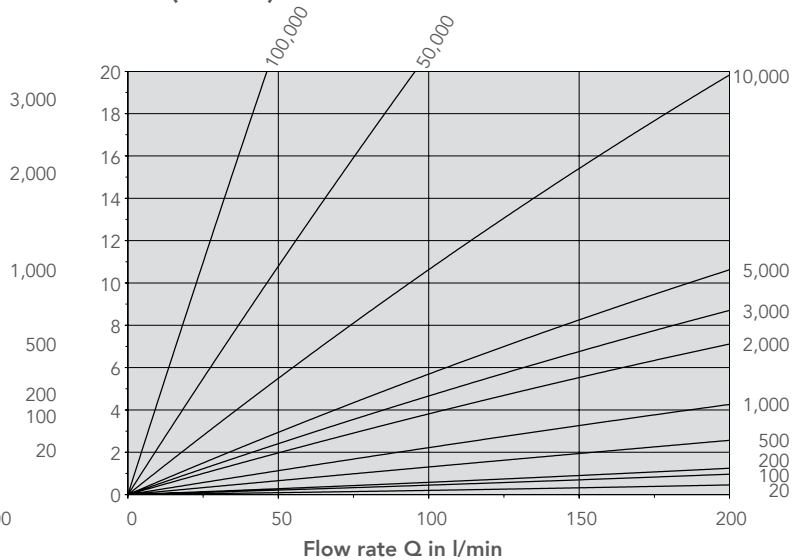
SVC 10 (section)



SVC 40



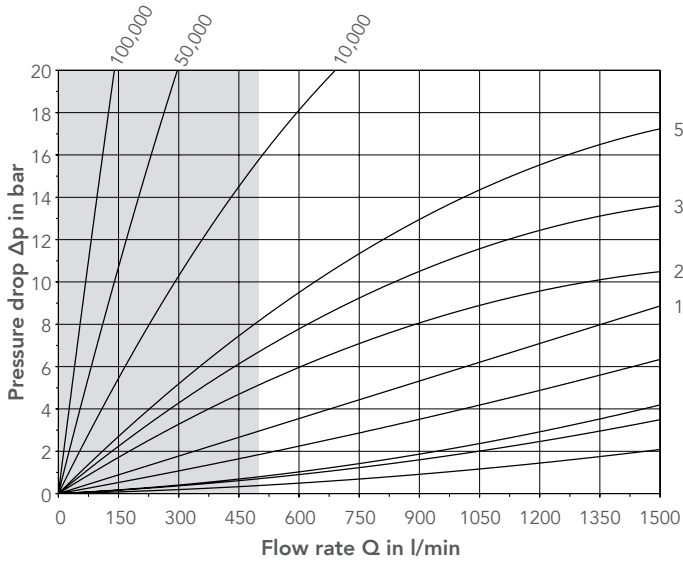
SVC 40 (section)



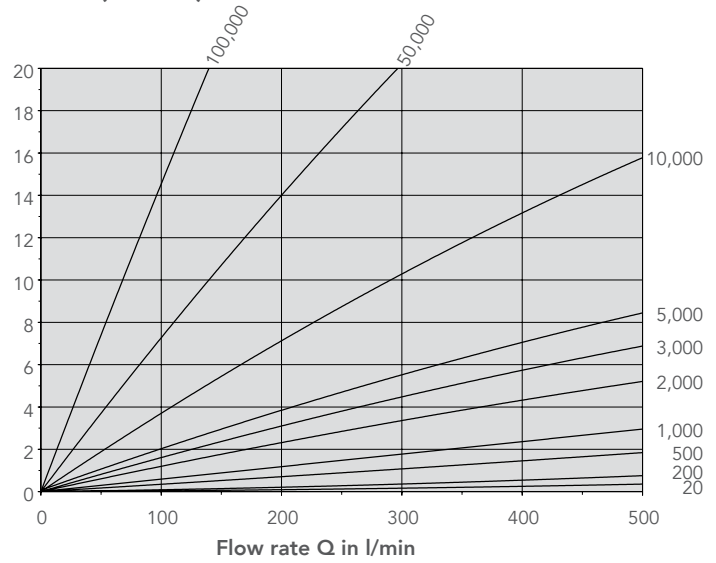
Pressure drop

I SVC 100 ... 250 parameter: Viscosity in mm²/s

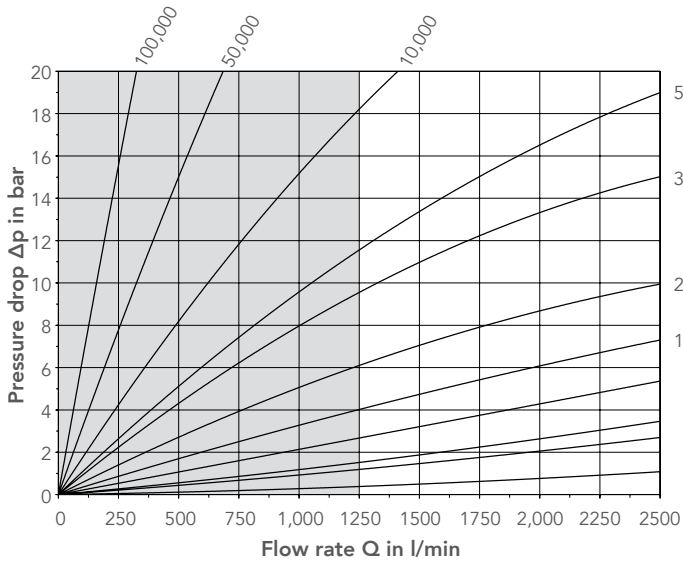
SVC 100



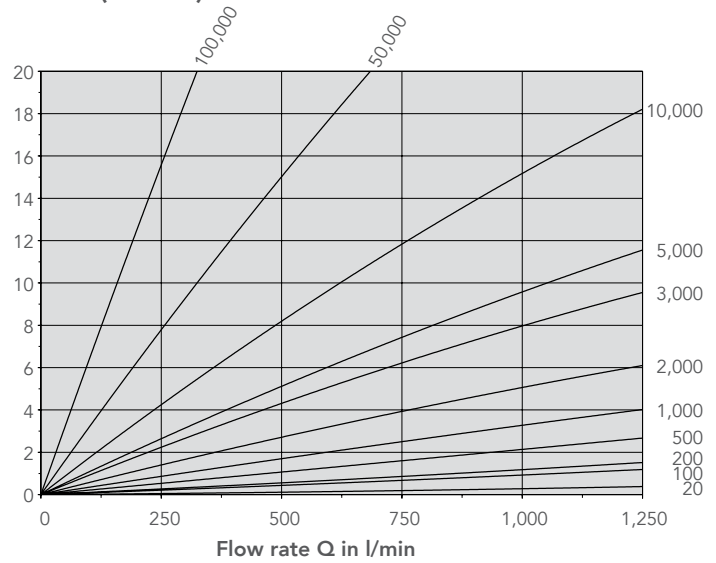
SVC 100 (section)



SVC 250



SVC 250 (section)



SVC technical drawings overview

Versions	Nominal sizes	Electronics version	Page
High-pressure versions with high-res sensors	4	> standard > high-temperature > ATEX/IECEEx > IO-Link	19
High-pressure versions with high-res sensors	10	> standard > high-temperature > ATEX/IECEEx > IO-Link	20
2-sensor versions	10	> standard > high-temperature > ATEX/IECEEx > IO-Link	21
Sensors with maximal sensor resolution	10	> encoder	22
2-sensor high-pressure versions	40	> standard > high-temperature > ATEX/IECEEx > IO-Link	23
2-sensor versions	40	> standard > high-temperature > ATEX/IECEEx > IO-Link	24
2-sensor versions	100	> standard > high-temperature > ATEX/IECEEx > IO-Link	25
2-sensor versions	250	> standard > high-temperature > ATEX/IECEEx > IO-Link	26
Remote-electronics versions	4 ... 250	> high-temperature Plus > ATEX high-temperature Plus	on request

Dimensions

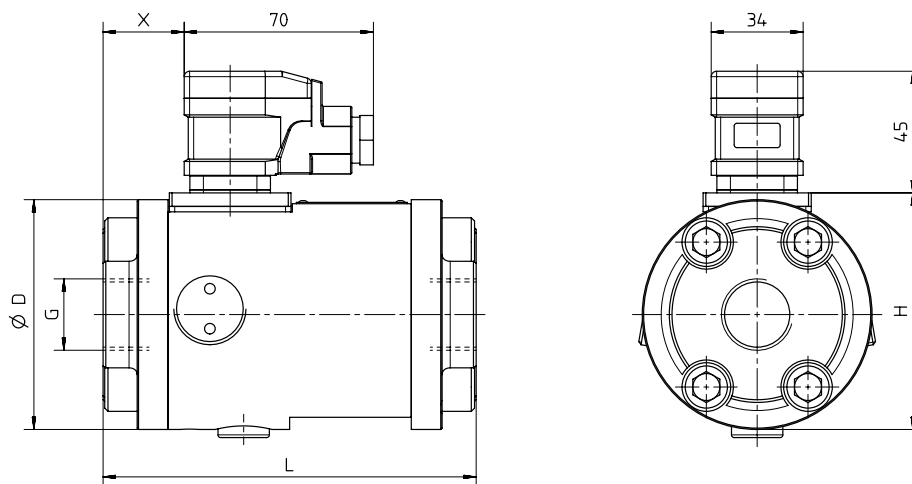
I SVC 4

Electronics versions: standard / high-temperature / ATEX/IECEX / IO-Link

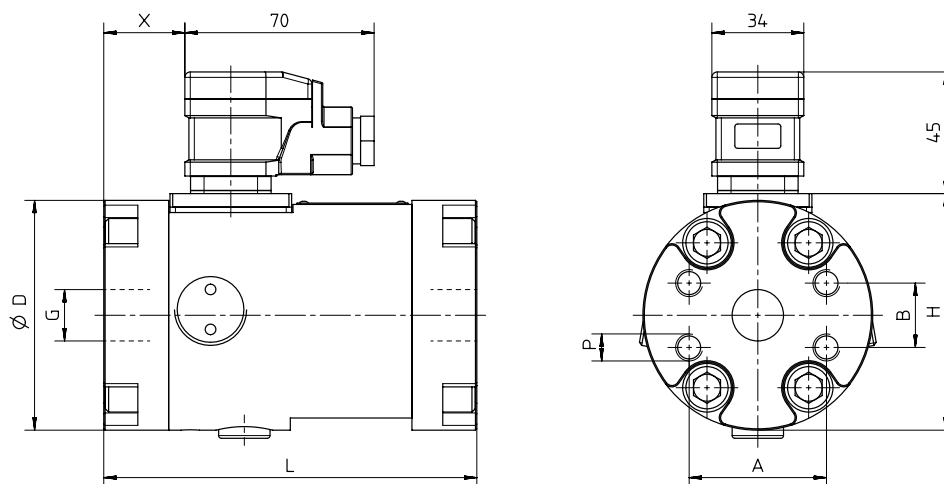
Type key ID			Dimensions								Weight	
Material	Connection	Sensor	A	B	D	L	H	G	P	X	kg	m
3	R	6	–	–	85	138	87.5*	G ¾	–	30	4.7	
3	S	6	50.8	23.8	85	138	87.5*	SAE ¾	M10 – 22 deep	30	5	

* electronics version H: plus 3 mm

Pipe connection, high-pressure version, high-res sensor



SAE connection (Code 62), high-pressure version, high-res sensor



Dimensions

I SVC 10

Electronics versions: standard / high-temperature / ATEX/IECEX / IO-Link

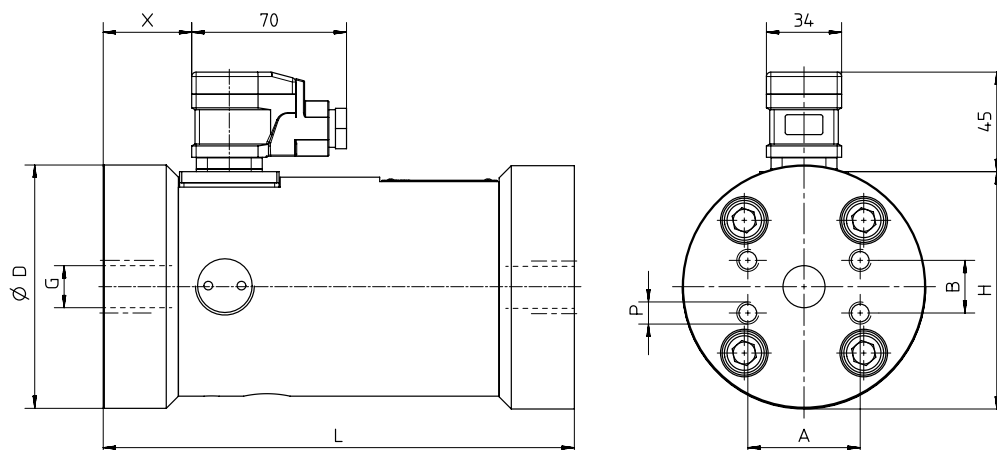
Type key ID			Dimensions										Weight
Material	Connection	Sensor	A	B	D	L	K	H	G	P	T	X	kg
1	R	2	-	-	99	196	-	101.5*	G 1	-	19	33	9.6
1	S	2	52.4	26.2	99	197	-	101.5*	SAE 1	M10 – 17 deep	-	32	9.6
1	D	2	-	-	140	265	100	167.0*	32	M10 – 25 deep	-	76	17.2
1	D	2	-	-	140	265	100	167.0*	25	M10 – 25 deep	-	76	17.3
1	D	2	-	-	150	275	105	172.0*	25	M10 – 30 deep	-	81	19.15
3	R	6	-	-	110	213	-	107.3*	G 1	-	23	40	11.3
3	S	6	50.8	23.8	110	213	-	107.3*	SAE 3/4	M10 – 15 deep	-	40	11.3

* electronics version H: plus 3 mm

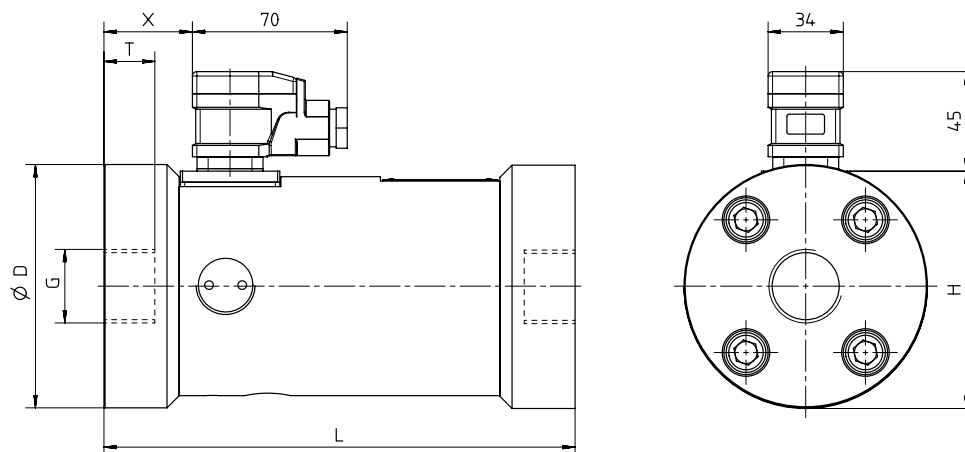
Available DIN flanges – SVC 10

Nominal bore DN	Pressure stage PN
32	40

SAE connection (Code 62), high-pressure version, high-res sensor



Pipe connection, high-pressure version, high-res sensor

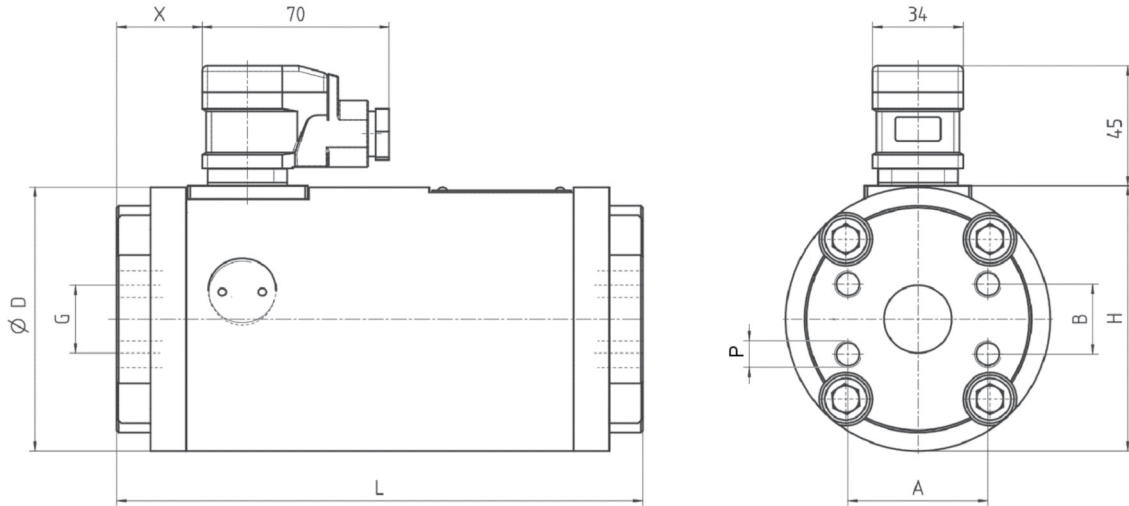


Dimensions

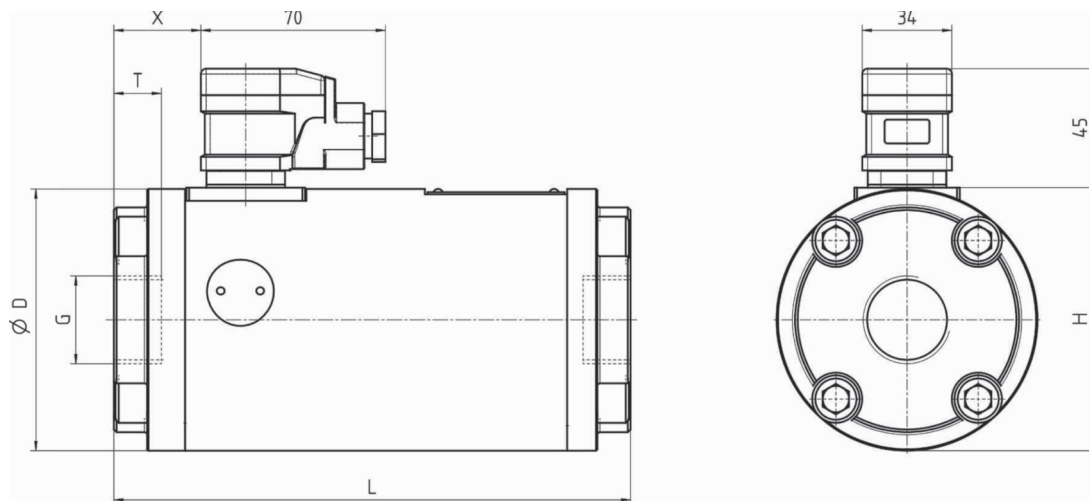
I SVC 10

Electronics versions: standard / high-temperature / ATEX/IECEX / IO-Link

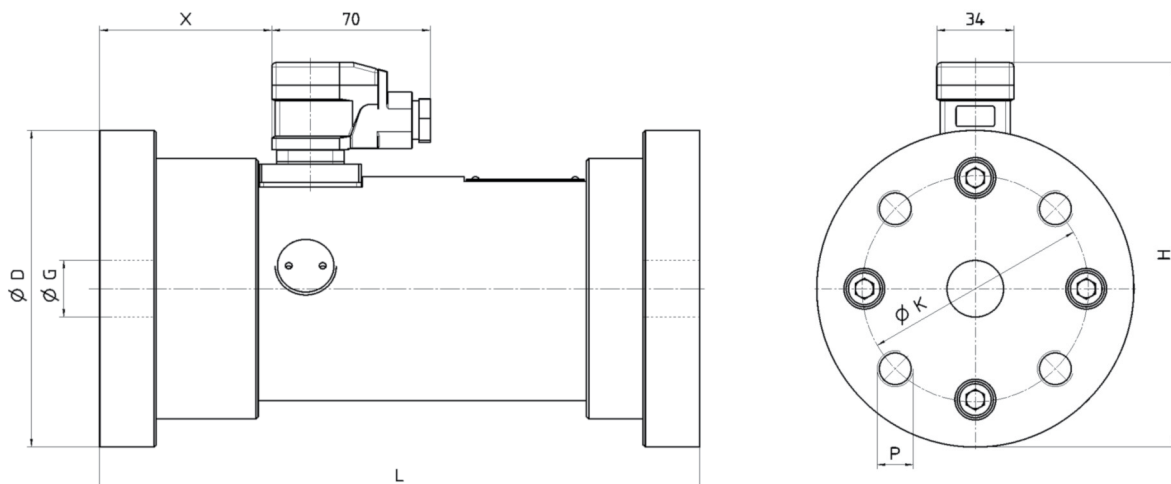
SAE connection (Code 61), 2 sensors



Pipe connection, 2 sensors



DIN connection



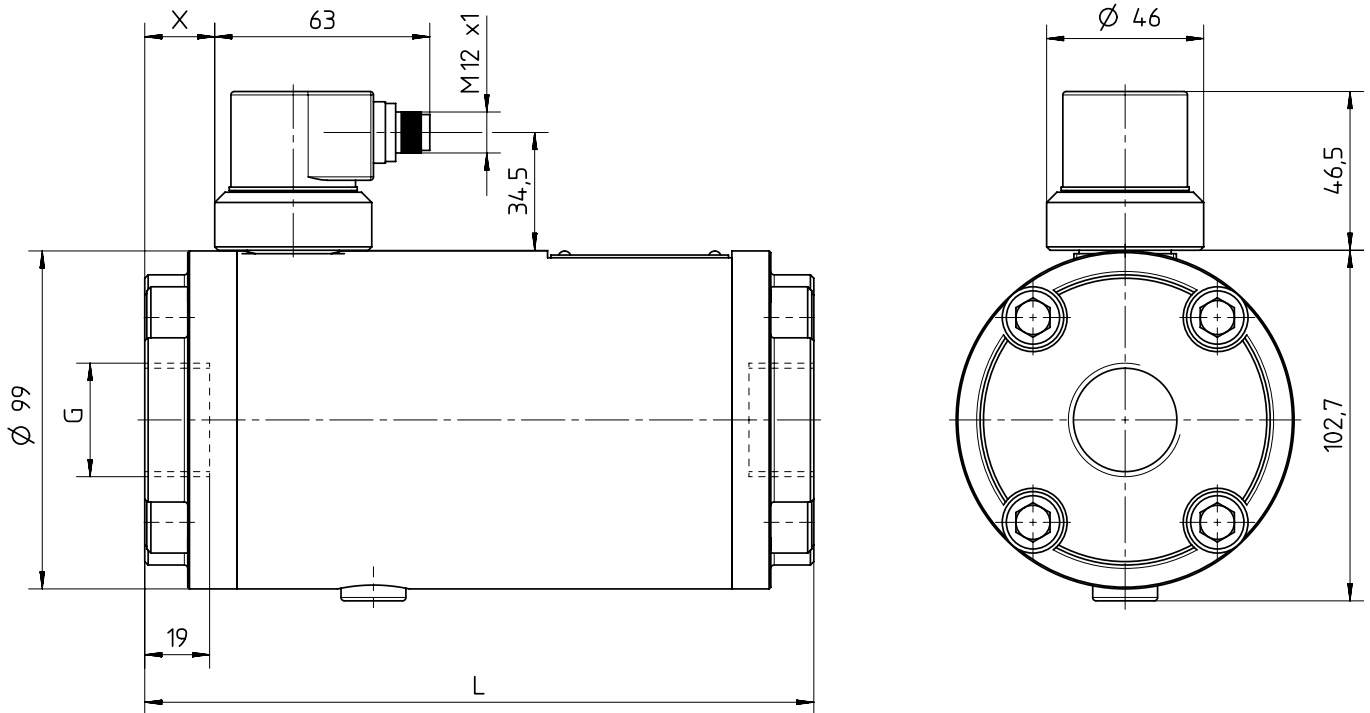
Dimensions

I SVC 10

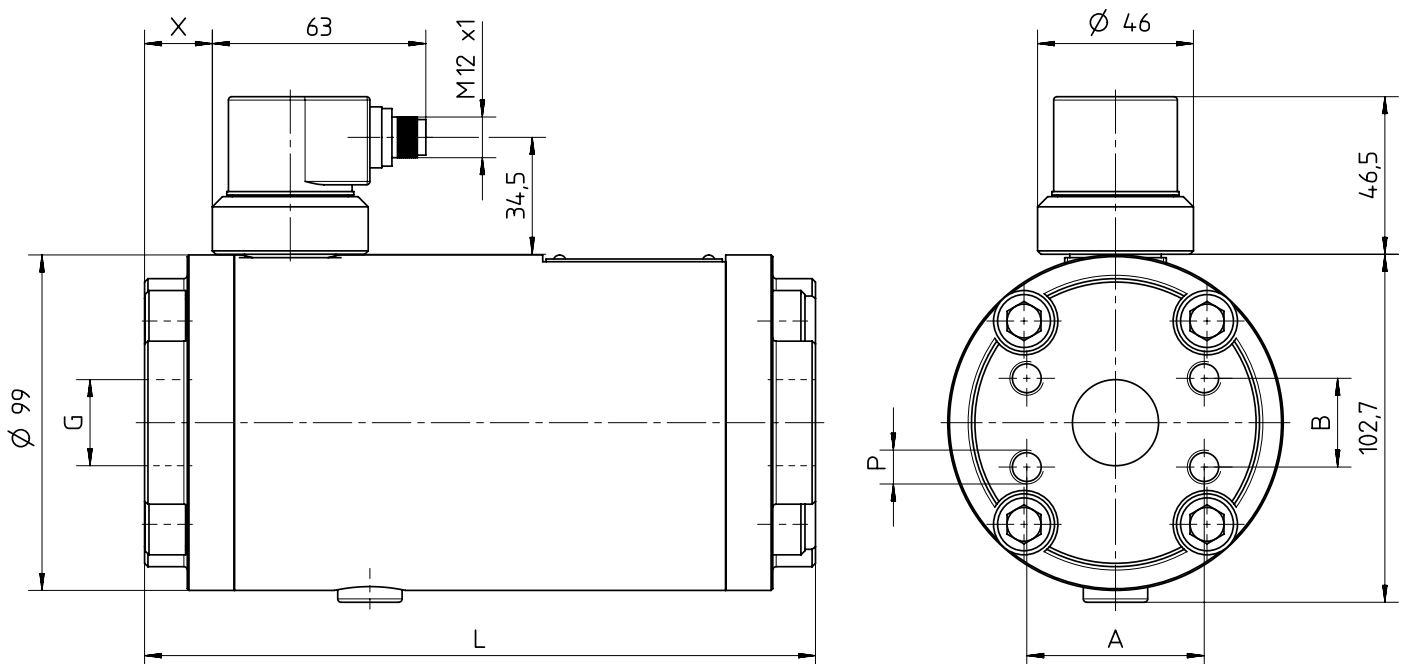
Electronics versions: encoder

Type key ID			Dimensions					
Material	Connection	Sensor	A	B	L	G	P	X
1	R	5	-	-	196	G1	-	20.5
1	S	5	52.4	26.2	198	SAE 1	M10 – 17 deep	20

Pipe connection, maximal sensor resolution



SAE connection (Code 61), maximal sensor resolution



Dimensions in mm

Dimensions

I SVC 40

Electronics versions: standard / high-temperature / ATEX/IECEX / IO-Link

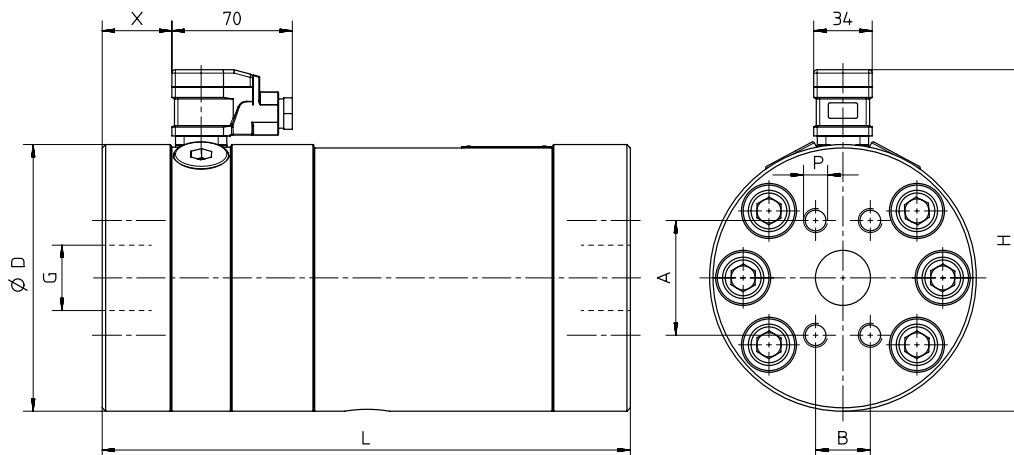
Type key ID			Dimensions										Weight
Material	Connection	Sensor	A	B	D	L	K	H	G	P	T	X	kg
1	R	2	-	-	121	265	-	123.5*	G1½	-	23	26	18.00
3	R	2	-	-	155	307	-	198.5	G 1 1/2	-	28	40.5	36.00
1	S	2	69.9	35.7	-	287	-	123.5*	SAE1½	M10 – 27 deep	-	38	18.90
3	S	2	66.7	31.8	155	307	-	198.5	SAE 1 1/4	M10 – 27 deep	-	40.5	36.00
1	D	2	-	-	150	285	110	183.0*	40	M16 – 20 deep	-	37	24.65
1	D	2	-	-	170	295	125	193.0*	40	M20 – 25 deep	-	42	27.50

* electronics version H: plus 11 mm

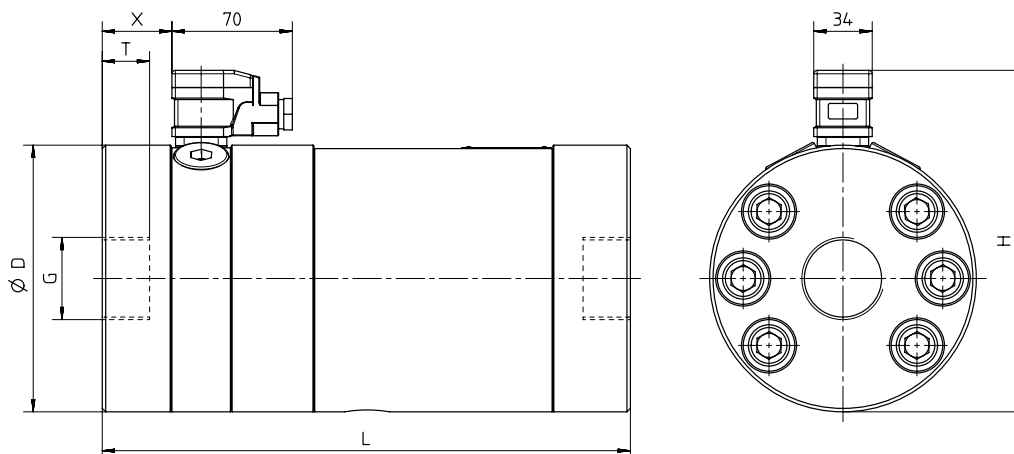
Available DIN flanges – SVC 40

Nominal bore DN	Pressure stage PN
40	40

SAE connection (Code 62), high-pressure version, 2 sensors



Pipe connection, high-pressure version, 2 sensors

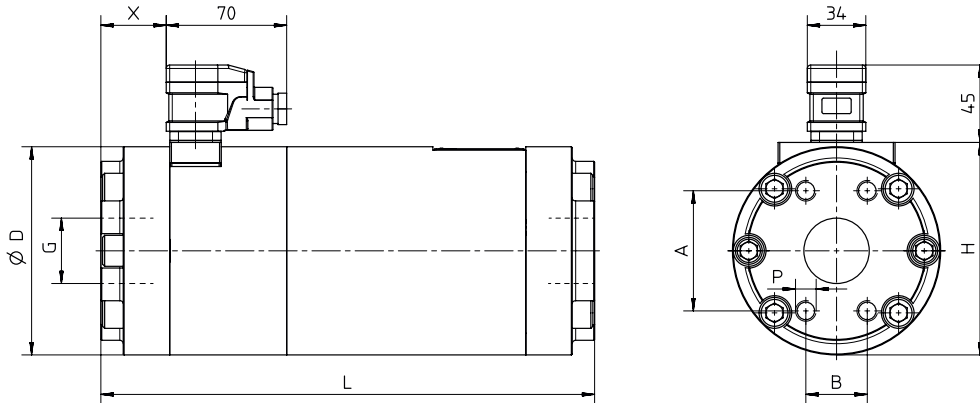


Dimensions

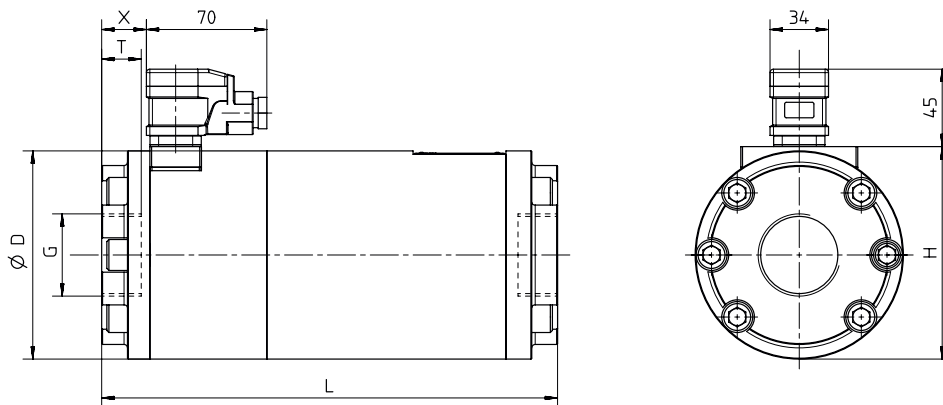
I SVC 40

Electronics versions: standard / high-temperature / ATEX/IECEX / IO-Link

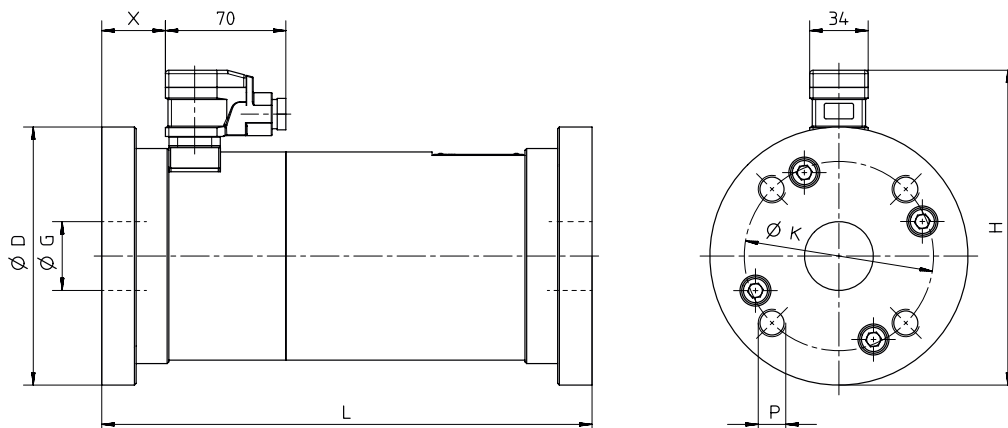
SAE connection (Code 61), 2 sensors



Pipe connection, 2 sensors



DIN connection



Dimensions

I SVC 100

Electronics versions: standard / high-temperature / ATEX/IECEX / IO-Link

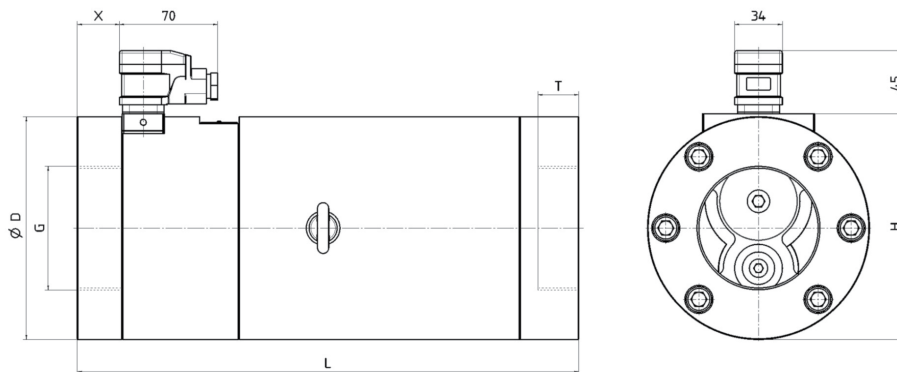
Type key ID			Dimensions										Weight
Material	Connec-tion	Sensor	A	B	D	L	K	H	G	P	T	X	kg
													m
1	R	2	-	-	158	357	-	160*	G3	-	32	30	39.1
1	S	2	106.4	61.9	158	347	-	160*	SAE 3	M16 - 32 deep	-	32	38.7
1	D	2	-	-	200	365	160	226*	80	M16 - 25 deep	-	45	46.2

* electronics version H: plus 11 mm

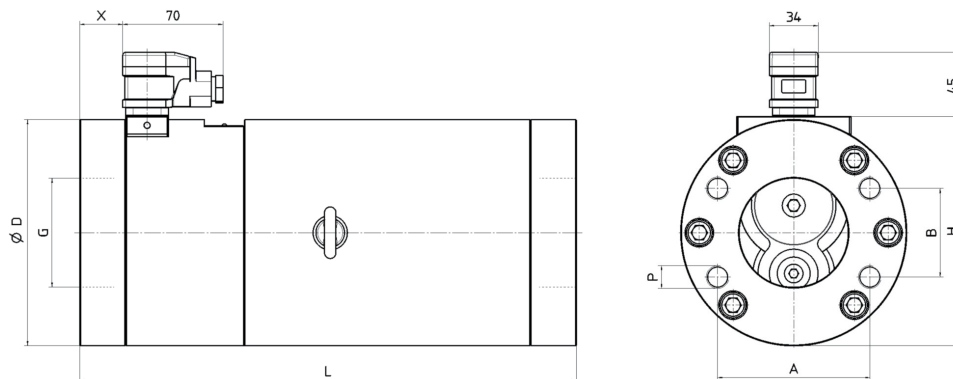
Available DIN flanges – SVC 100

Nominal bore DN	Pressure stage PN
80	40

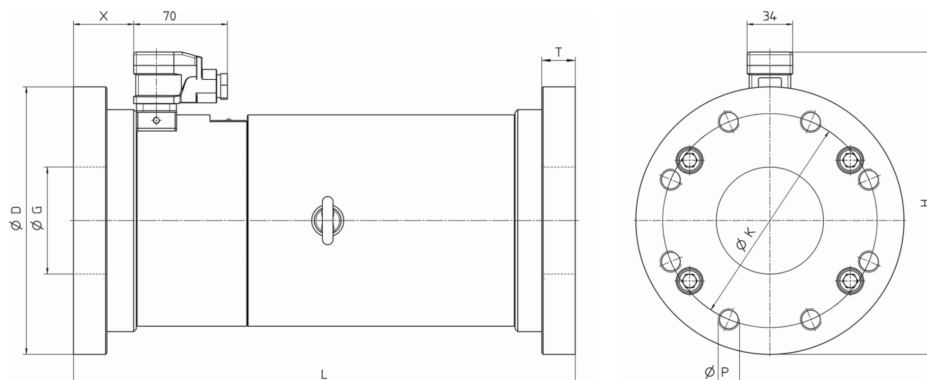
Pipe connection, 2 sensors



SAE connection (Code 61), 2 sensors



DIN connection



Dimensions in mm

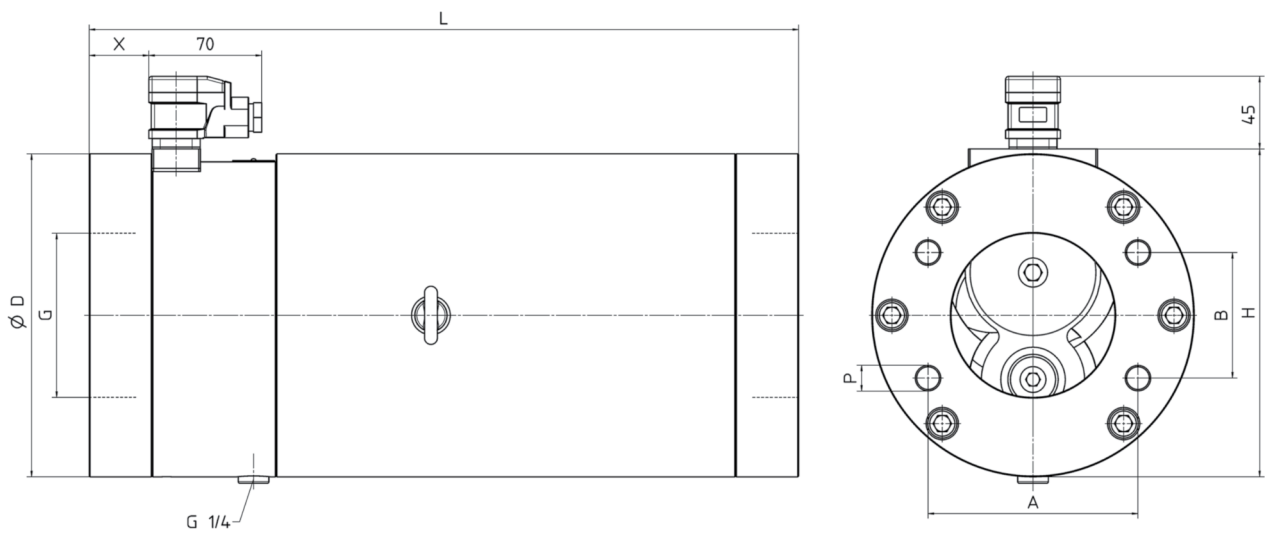
Dimensions

I SVC 250

Type key ID			Dimensions										Weight
Material	Connection	Sensor	A	B	D	L	K	H	G	P	T	X	kg
1	S	2	130.2	77.8	200	440	-	203*	SAE 4	M10 / 30 deep	-	37	76

* electronics version H: plus 11 mm

SAE connection (Code 61), 2 sensors



Flow measurement overview

Flow meter	Description	Flow range	Medium temperature range	Maximum pressure
VC	Gear type flow meter	0.001 ... 700 l/min	-60 ... 210°C	480 bar
VCA	Gear type flow meter	0.02 ... 200 l/min	-10 ... 80°C	240 bar
SVC	Screw type flow meter	0.01 ... 3 750 l/min	-40 ... 220°C	480 bar
TM	Turbine flow meter	0.92 ... 66 667 l/min	-30 ... 400°C	400 bar
VOLUMEC	The valve position indicator VOLUMEC is a linking unit consisting of a valve block, volume counter, and display unit.	... 7 l/min	-20 ... 80°C	240 bar
VOLUTRONIC®	The valve position indicator VOLUTRONIC® is the electronic variant of the VOLUMEC system. It indicates the direction of flow by generating two incremental signals.	0.16 ... 16 l/min	-30 ... 80°C	200 bar

Electronics	Description	Applications
SD 1	The plug-on display SD 1 is a universal local indicator for all volume counter series (VC, VCA, SVC, TM) with a DIN 43650-A valve plug connection. The display optionally shows the flow or the volume.	Volume measurement Flow measurement
AS 8	The AS 8 processes the output signals of the flow meters. The unit filters, transforms and computes the input signals into the physical parameters flow or volume, and displays them.	Measures volume, flow, mixing ratio, flexibility ratio, stroke, sums, and differences Controls flow, mixing ratio and revolutions Dosing
ASR 14	The ASR 14 integrates control, operation and visualisation functions. The programming of the ASR 14 is tailored to customer requirements.	like AS 8 – customisable
ASR 30	The ASR 30 is a control unit which can be operated via touch screen. In addition, the unit can be expanded with manual operating units. This allows the implementation of numerous fluid technology applications. Standardised programs are available for various applications. The programming of the ASR 30 can be optimised to match to the respective application.	like AS 8 – customisable

I Gear pumps

Low-pressure and high-pressure gear pumps for lubricating oil, hydraulic, process, and test bench applications, fuel and metering systems.



I Flow measurement

Gear, turbine and screw type flow meters and electronics for volume and flow, metering and consumption in the fields of chemistry, hydraulics, process and test bench technology



I Hydraulics

Single and multi-stage high-pressure gear pumps, gear motors and valves for construction machinery, municipal vehicles, agricultural vehicles, special-purpose vehicles and truck bodies.



I Valves

Cetop valves for all requirements of stationary and mobile applications. Pressure, switch and check valves with pipe connection for high flow rates. Special valves.



KRACHT®

KRACHT GmbH · Gewerbestraße 20 · 58791 Werdohl, Germany
 Phone +49 2392.935 0 · Fax +49 2392.935 209
 E-Mail info@kracht.eu · Web www.kracht.eu