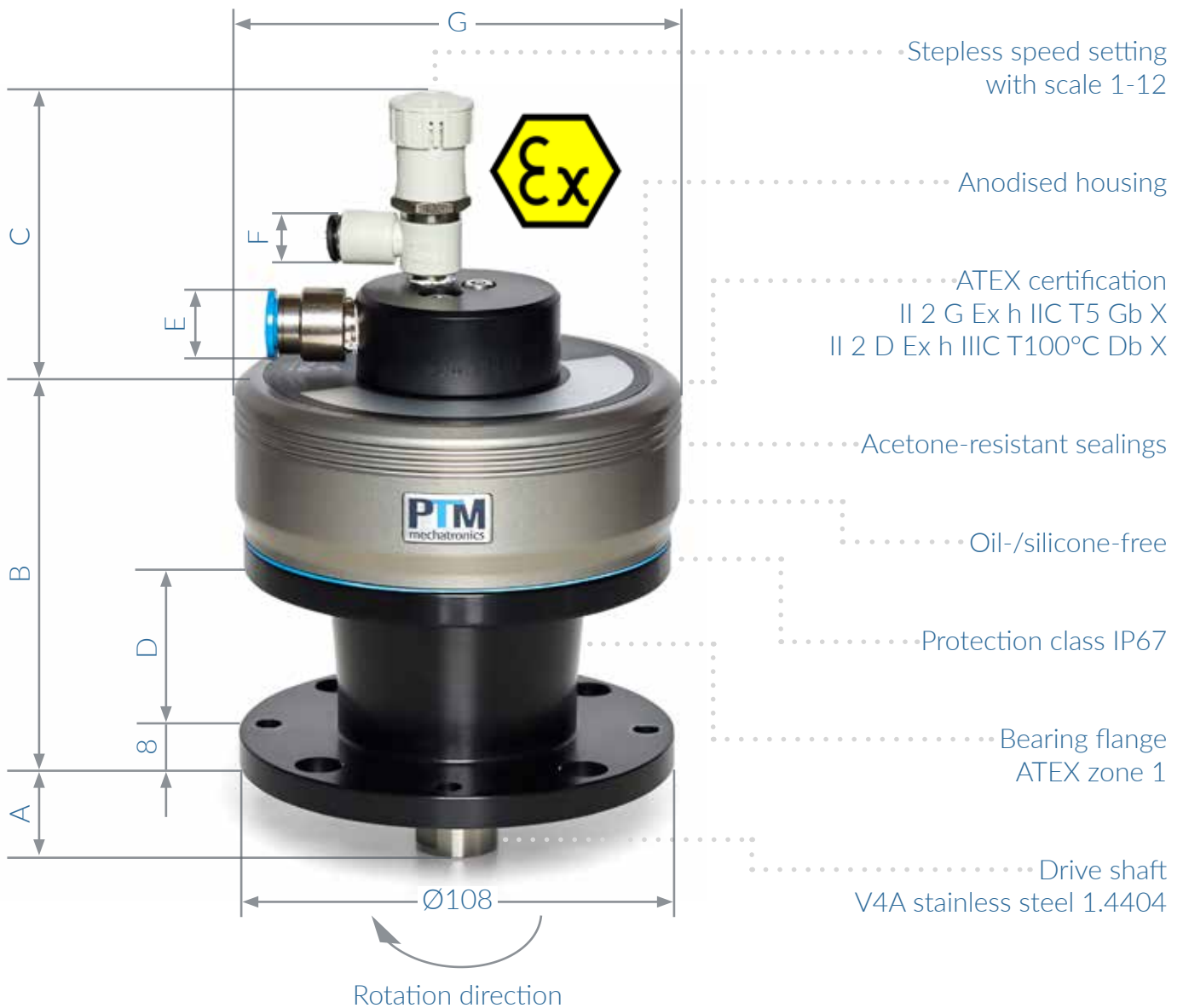


Drive and stirring technology for

CHEMICALS | FOOD | PHARMA | COSMETICS | AUTOMATION



# Agitator drive eco-Drive



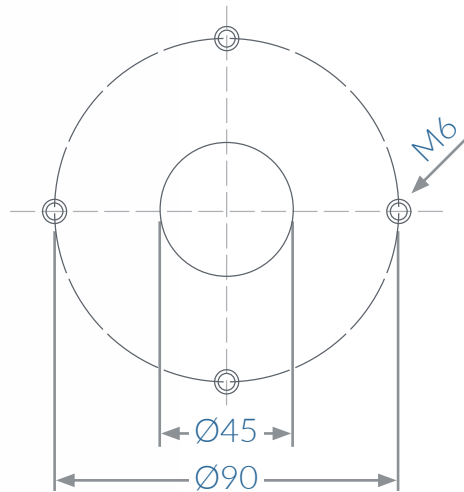
Dimensions	Air consumption at 100 rpm and average power	A	B	C	D	E	F	G
eco-Drive 450	25 l/min	22	94.5	65	39.5	10	6	105
eco-Drive 900	50 l/min	22	109	65	39.5	10	6	105
eco-Drive 1800	100 l/min	27	115.5	70	40	12	8	169
eco-Drive 3600	200 l/min	27	137.5	70	40	12	8	169

All dimensions in mm.

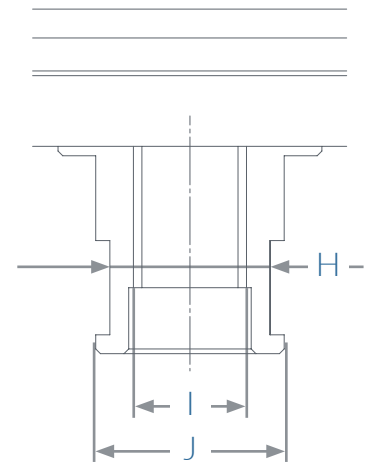
WE GENERATE MOVEMENT IN SPECIAL ENVIRONMENTS.

# Agitator drive eco-Drive

Compressed air supply 6 bar  
quality class 3 according to  
DIN ISO 8573-1.



Bore pattern on container for mounting



Threaded hub

Types	B	H	I	J	Torque	Speed	Radial force $F_r$	Axial force $F_a$
eco-Drive 450	94.5	SW17	M12	Ø20	4 Nm	0-300 1/min	400 N	100 N
transmission 1:2	137	SW17	M12	Ø20	2 Nm	0-600 1/min	400 N	100 N
transmission 3:1	137	SW17	M12	Ø20	12 Nm	0-100 1/min	400 N	100 N
transmission 9:1	163	SW17	M12	Ø20	36 Nm	0-33 1/min	400 N	100 N
eco-Drive 900	109	SW17	M12	Ø20	8 Nm	0-300 1/min	400 N	100 N
transmission 1:2	151.5	SW17	M12	Ø20	4 Nm	0-600 1/min	400 N	100 N
transmission 3:1	151.5	SW17	M12	Ø20	24 Nm	0-100 1/min	400 N	100 N
transmission 9:1	177.5	SW17	M12	Ø20	72 Nm	0-33 1/min	400 N	100 N
eco-Drive 1800	115.5	SW24	M16	Ø30	16 Nm	0-300 1/min	800 N	200 N
transmission 1:2	165.5	SW24	M16	Ø30	8 Nm	0-600 1/min	800 N	200 N
transmission 3:1	165.5	SW24	M16	Ø30	48 Nm	0-100 1/min	800 N	200 N
transmission 9:1	197	SW24	M16	Ø30	144 Nm	0-33 1/min	800 N	200 N
eco-Drive 3600	137.5	SW24	M16	Ø30	32 Nm	0-300 1/min	800 N	200 N
transmission 1:2	187.5	SW24	M16	Ø30	16 Nm	0-600 1/min	800 N	200 N
transmission 3:1	187.5	SW24	M16	Ø30	96 Nm	0-100 1/min	800 N	200 N
transmission 9:1	219	SW24	M16	Ø30	288 Nm	0-33 1/min	800 N	200 N

WE GENERATE MOVEMENT IN SPECIAL ENVIRONMENTS.