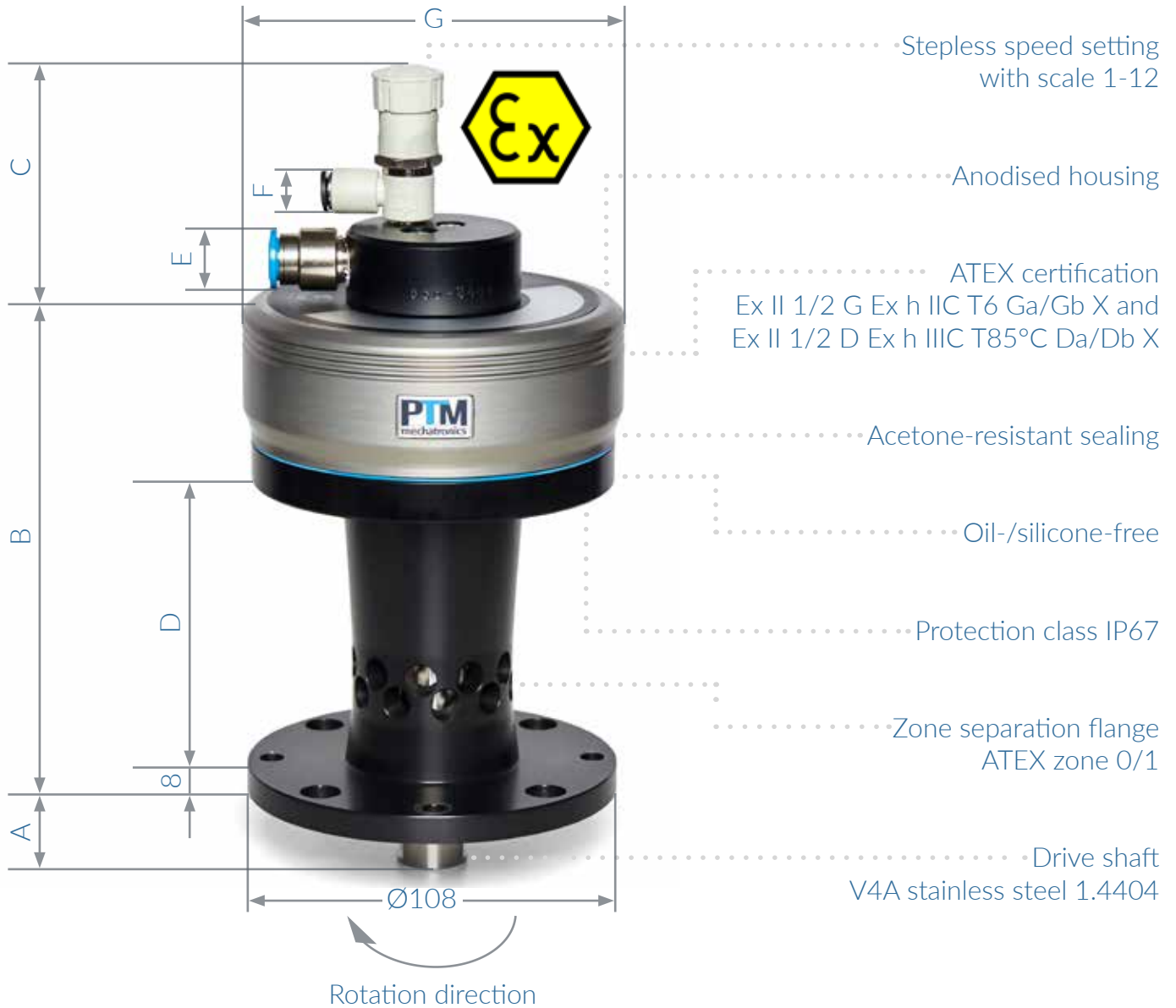


Drive and stirring technology for

CHEMICALS | FOOD | PHARMA | COSMETICS | AUTOMATION



Agitator drive eco-TopDrive



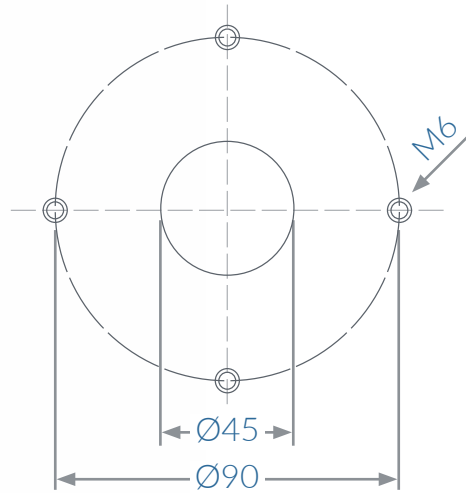
Types	Air consumption at 100 rpm and average power	A	B	C	D	E	F	G
eco-TopDrive 450	25 l/min	22	139	73	80.5	10	6	105
eco-TopDrive 900	50 l/min	22	151	73	80.5	10	6	105
eco-TopDrive 1800	100 l/min	27.5	162	74	86.5	12	8	169
eco-TopDrive 3600	200 l/min	27.5	180	74	86.5	12	8	169

All dimensions in mm.

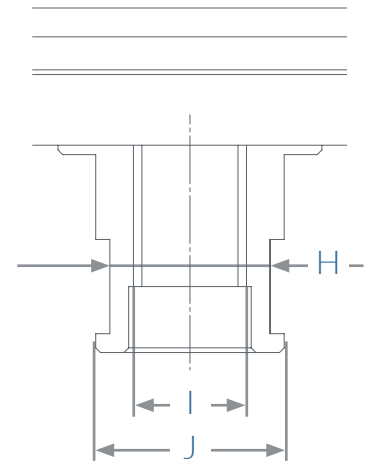
WE GENERATE MOVEMENT IN SPECIAL ENVIRONMENTS.

Agitator drive eco-TopDrive

Compressed air supply 6 bar
quality class 3 according to
DIN ISO 8573-1.



Bore pattern on container for mounting



Threaded hub

Types	B	H	I	J	Torque	Speed	Radial force F_r	Axial force F_a
eco-TopDrive 450	139	SW17	M12	Ø20	4 Nm	0-300 1/min	400 N	100 N
transmission 1:2	181.5	SW17	M12	Ø20	2 Nm	0-600 1/min	400 N	100 N
transmission 3:1	181.5	SW17	M12	Ø20	12 Nm	0-100 1/min	400 N	100 N
transmission 9:1	207.5	SW17	M12	Ø20	36 Nm	0-33 1/min	400 N	100 N
eco-TopDrive 900	151	SW17	M12	Ø20	8 Nm	0-300 1/min	400 N	100 N
transmission 1:2	193.5	SW17	M12	Ø20	4 Nm	0-600 1/min	400 N	100 N
transmission 3:1	193.5	SW17	M12	Ø20	24 Nm	0-100 1/min	400 N	100 N
transmission 9:1	219.5	SW17	M12	Ø20	72 Nm	0-33 1/min	400 N	100 N
eco-TopDrive 1800	162	SW24	M16	Ø30	16 Nm	0-300 1/min	800 N	200 N
transmission 1:2	212	SW24	M16	Ø30	8 Nm	0-600 1/min	800 N	200 N
transmission 3:1	212	SW24	M16	Ø30	48 Nm	0-100 1/min	800 N	200 N
transmission 9:1	243.5	SW24	M16	Ø30	144 Nm	0-33 1/min	800 N	200 N
eco-TopDrive 3600	180	SW24	M16	Ø30	32 Nm	0-300 1/min	800 N	200 N
transmission 1:2	230	SW24	M16	Ø30	16 Nm	0-600 1/min	800 N	200 N
transmission 3:1	230	SW24	M16	Ø30	96 Nm	0-100 1/min	800 N	200 N
transmission 9:1	261.5	SW24	M16	Ø30	288 Nm	0-33 1/min	800 N	200 N

WE GENERATE MOVEMENT IN SPECIAL ENVIRONMENTS.