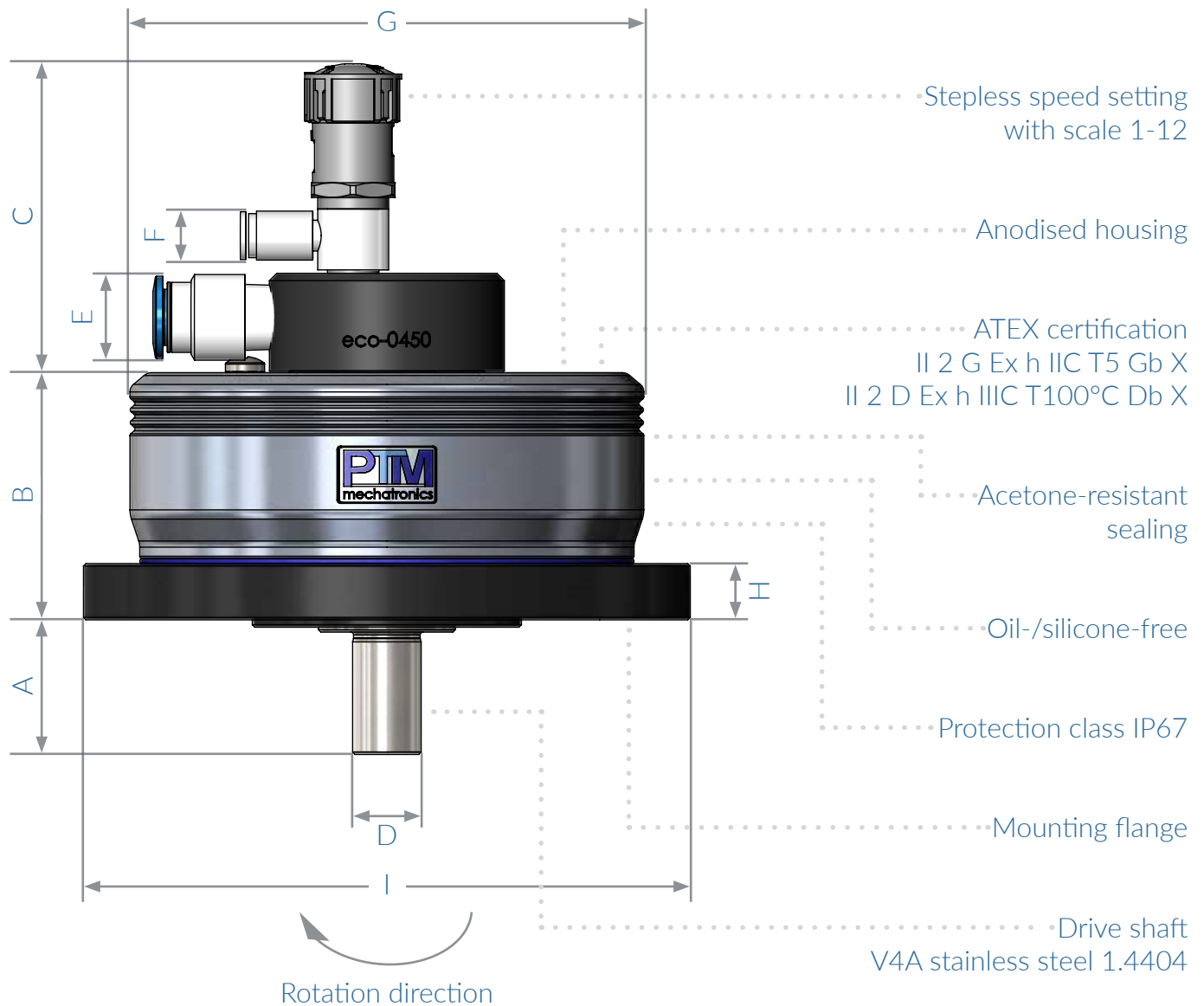


Agitator motor eco with mounting flange



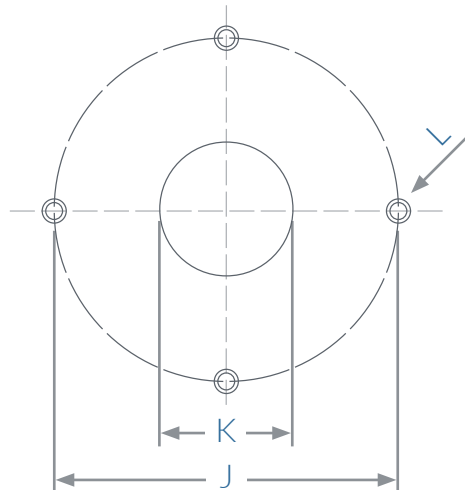
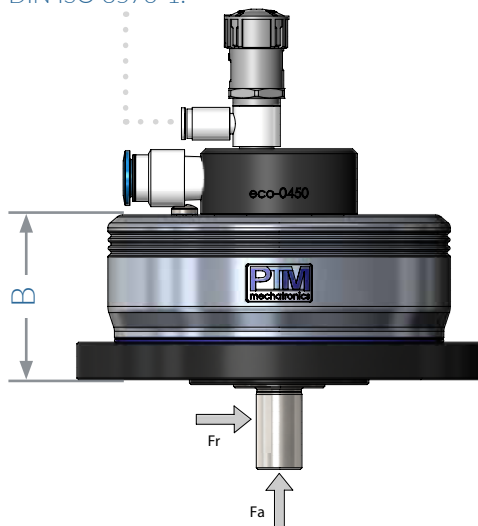
Dimensions	Air consumption at 100 rpm and average power	A	B	C	D	E	F	G	H	I
eco 450	25 l/min	27.5	50.5	65	Ø14h6	10	6	105	11.5	Ø124
eco 900	50 l/min	27.5	65	65	Ø14h6	10	6	105	11.5	Ø124
eco 1800	100 l/min	43.5	67.5	70	Ø19h6	12	8	169	12.5	Ø218
eco 3600	200 l/min	43.5	89.5	70	Ø19h6	12	8	169	12.5	Ø218

All dimensions in mm.

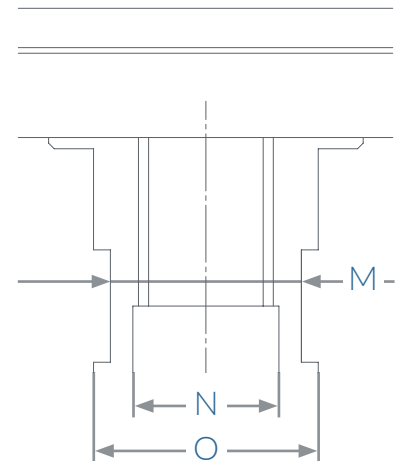
WE GENERATE MOVEMENT IN SPECIAL ENVIRONMENTS.

Agitator motor eco with mounting flange

Compressed air supply 6 bar
quality class 3 according to
DIN ISO 8573-1.



Bore pattern on container for mounting



Threaded hub

Types	B	J	K	L	M	N	O	Torque	Speed	Radial force Fr	Axial force Fa
eco 450	50.5	Ø115	Ø55	M5	SW17	M12	Ø20	4 Nm	0-300 1/min	75 N	100 N
transmission 1:2	93	Ø115	Ø55	M5	SW17	M12	Ø20	2 Nm	0-600 1/min	75 N	100 N
transmission 3:1	93	Ø115	Ø55	M5	SW17	M12	Ø20	12 Nm	0-100 1/min	75 N	100 N
transmission 9:1	119	Ø115	Ø55	M5	SW17	M12	Ø20	36 Nm	0-33 1/min	75 N	100 N
eco 900	65	Ø115	Ø55	M5	SW17	M12	Ø20	8 Nm	0-300 1/min	75 N	100 N
transmission 1:2	107.5	Ø115	Ø55	M5	SW17	M12	Ø20	4 Nm	0-600 1/min	75 N	100 N
transmission 3:1	107.5	Ø115	Ø55	M5	SW17	M12	Ø20	24 Nm	0-100 1/min	75 N	100 N
transmission 9:1	133.5	Ø115	Ø55	M5	SW17	M12	Ø20	72 Nm	0-33 1/min	75 N	100 N
eco 1800	67.5	Ø200	Ø95	M8	SW24	M16	Ø30	16 Nm	0-300 1/min	75 N	200 N
transmission 1:2	117.5	Ø200	Ø95	M8	SW24	M16	Ø30	8 Nm	0-600 1/min	75 N	200 N
transmission 3:1	117.5	Ø200	Ø95	M8	SW24	M16	Ø30	48 Nm	0-100 1/min	75 N	200 N
transmission 9:1	149	Ø200	Ø95	M8	SW24	M16	Ø30	144 Nm	0-33 1/min	75 N	200 N
eco 3600	89.5	Ø200	Ø95	M8	SW24	M16	Ø30	32 Nm	0-300 1/min	75 N	200 N
transmission 1:2	139.5	Ø200	Ø95	M8	SW24	M16	Ø30	16 Nm	0-600 1/min	75 N	200 N
transmission 3:1	139.5	Ø200	Ø95	M8	SW24	M16	Ø30	96 Nm	0-100 1/min	75 N	200 N
transmission 9:1	171	Ø200	Ø95	M8	SW24	M16	Ø30	288 Nm	0-33 1/min	75 N	200 N

WE GENERATE MOVEMENT IN SPECIAL ENVIRONMENTS.