



SINDBY PROFILES 5

Gummi til industri og autobranschen

Hos BIBUS SINDBY A/S har vi beskæftiget os med gummiprofiler, kantlister, svampegummi og gummimåtter i over 100 år. Vi har således en solid erfaring på området og besvarer gerne spørgsmål vedr. kemisk modstandsdygtighed, UV belastning, hårdhedsområde, trækstyrke, brudforlængelse, max. temperaturområde, slidstyrke, bestandighed o.s.v.

Alle profiler/gummiplader er lagervarer, hvis ikke andet er opgivet. Specialprofiler leveres efter ordre.

Vi løser alle opgaver - spørg os og få løsningen.

Note

Tegningerne i dette katalog er ikke målfaste. Visse profiler i dette katalog lagerføres ikke men hjemtages kun på bestilling og ud fra mængde. Afklippede profiler tages ikke retur. Alle mål er i mm, hvis ikke andet er opgivet.

Rubber for industry and automotive sector

At BIBUS SINDBY A/S we have been working with rubber profiles, edge profiles, sponge rubber and rubber plates for more than 100 years. We therefore have a thorough knowledge in this area and are always at your disposal if you have questions concerning chemical resistance, UV impact, hardness, tractive power, elongation at break, max. temperature range, resistance, constancy etc. All profiles / rubber plates in the catalogue are stock items unless otherwise stated. Special profiles can be supplied to order.

We can offer our assistance in all kinds of projects - ask us and we have the solution.

Note

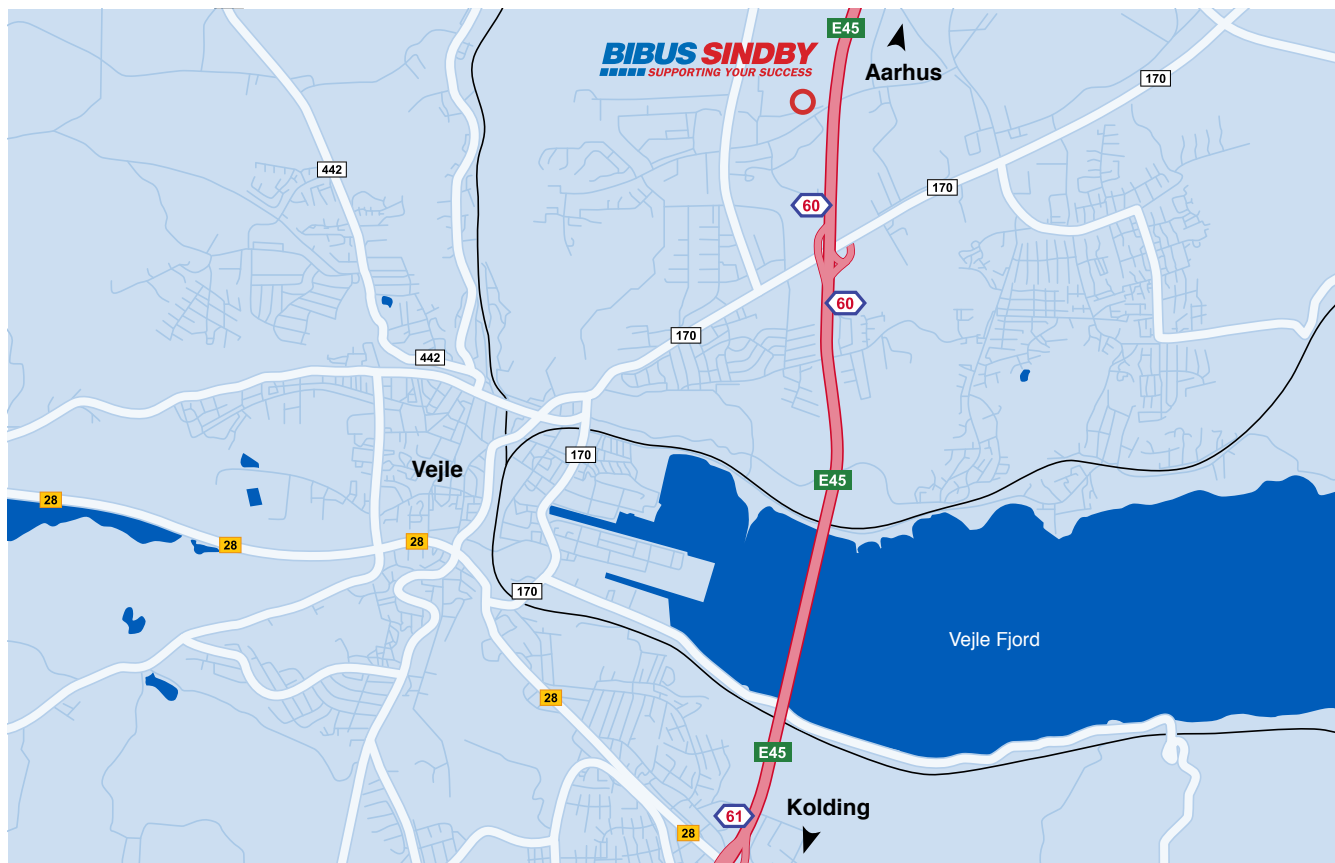
The drawings in this catalogue are not fixed. Certain profiles in this catalogue are not in stock and are only stocked on order. Profiles which are cut off cannot be returned. All measures are in mm unless otherwise stated.



Keld Asp Hansen

Adm. direktør
Managing Director

Her finder du BIBUS SINDBY A/S / Here you will find BIBUS SINDBY A/S

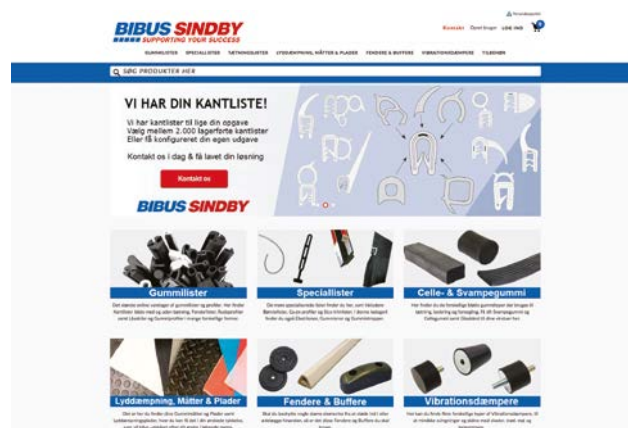


BIBUS SINDBY A/S • Edisonvej 11 • DK-7100 Vejle

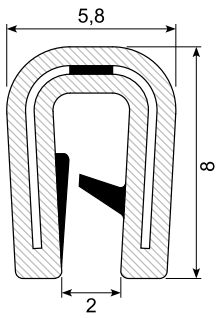
2	Kantlister / Edge trims
14	Silikonekantlister / Silicone edge trims
16	Silikoneskaffeprofiler / Silicone order profiles
20	POM-profiler / POM edge trims
22	Gummisnor / Rubber cord profiles
23	Specialprofiler / Special profiles
34	Co-ekstruderede plastprofiler / Co-extruded plastic profiles
37	U-profiler / U-profiles
42	P-profiler / P-profiles
44	Rudeprofiler / Glazing sections
47	Låsekiler / Glazing sections
47	Svampegummiskaffeprofiler / Sponge rubber order profiles
48	Svampegummi / Sponge rubber
55	Glasbånd / Window seals
56	Cellegummi / Cellular rubber
57	Fenderlister / Fender lists
60	Sico Trim / Sico Trim
63	Gummibuffer / Rubber buffer
69	Vibrationsdæmpere / Vibration muffler
74	Fendere / Fenders
80	Børste- og flock-lister / Brush sections
83	Lydisolering / Soundproofing
86	Kinagummiplader / Rubber sheets from China
94	Gummimåtter / Rubber mats
101	Gummistropper / Rubber straps
103	Bumpers / Bumpers
104	Poliiall / Poliiall
105	Oppustelige tætninger / Inflatable seals
107	Portsluser og tilbehør / Dock shelters
111	Tilbehør / Equipment
113	Egenskaber / Properties
115	Varenummerindex / Product number index

Besøg vores webshop på
kantlister.dk

Visit our webshop at
kantlister.dk

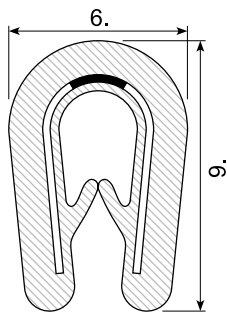


33.306



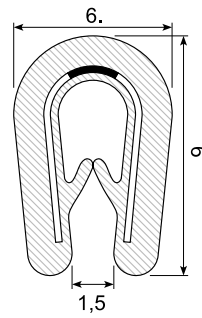
Edge trim: PVC black + bi
Grip range: 1 - 2 mm
Hardness: SH 75 / 65
Insert: 15 x 0,3 mm steel

33.409F



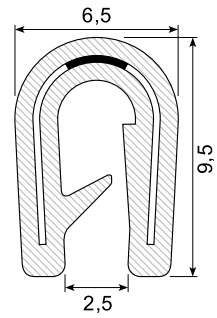
Edge trim: EPDM
Grip range: 1 - 2 mm
Hardness: SH 60
Insert: Steel
Flame retardent EN 45545

33.409 / 33.401G



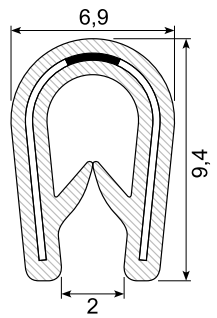
Edge trim: PVC black
Grip range: 1 - 2 mm
Hardness: SH 78
Insert: 16 x 0,3 mm steel
33.401G (grey)

33.307A



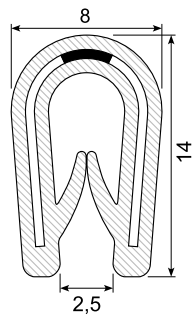
Edge trim: PVC black
Grip range: 1 - 2 mm
Hardness: SH 75
Insert: 17,5 x 0,3 mm steel
On cardboard coil

33.410X / 33.410XG



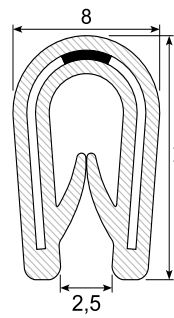
Edge trim: PVC black
Grip range: 1 - 2 mm
Hardness: SH 75
Insert: 17,5 x 0,3 mm steel
33.410XG (grey)

33.310X



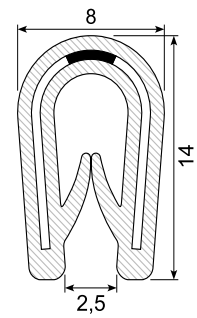
Edge trim: PVC black
Grip range: 1 - 3 mm
Hardness: SH 75
Insert: 26 x 0,47 mm steel

33.310SS



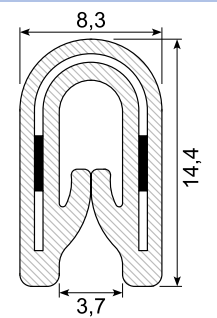
Edge trim: PVC black
Grip range: 1 - 2,5 mm
Hardness: SH 70 - 75
Insert: 26 x 0,5 mm stainless steel SS 304

33.310SS-316



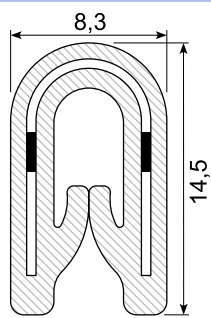
Edge trim: PVC black
Grip range: 1 - 2,5 mm
Hardness: SH 70 - 75
Insert: 26 x 0,5 mm stainless steel SS 316 (acid-proof)

33.422



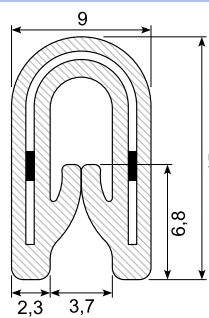
Edge trim: TPE flexible
Grip range: 1 - 2,5 mm
Hardness: SH 82
Insert: 25 x 0,48 mm steel

33.309XM



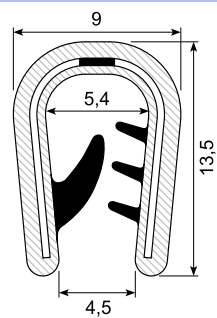
Edge trim: PVC mokka brown
Grip range: 1 - 2,5 mm
Hardness: SH 78
Insert: Steel
Special offer

33.003



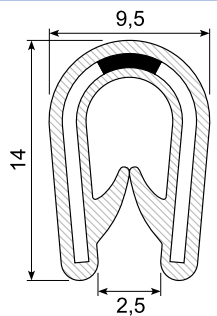
Edge trim: PVC black
Grip range: 1 - 2,5 mm
Hardness: SH 78
Insert: Steel
Current stock available

33.418SS



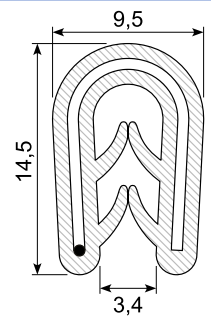
Edge trim: PVC black + bi
Grip range: 1,5 - 3 mm
Hardness: SH 78 / 78
Insert: 26 x 0,5 mm stainless 304 steel

33.308A



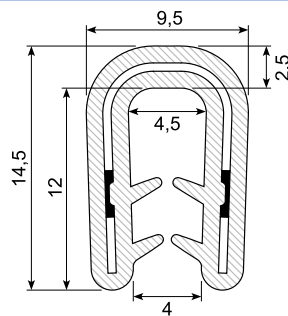
Edge trim: PVC black
Grip range: 1 - 4 mm
Hardness: SH 75
Insert: 26 x 0,47 mm steel
On cardboard coil

33.432



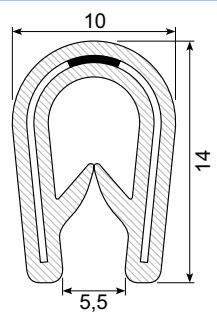
Edge trim: EPDM
Grip range: 1 - 3 mm
Hardness: SH 65
Insert: 27 mm wire

33.438



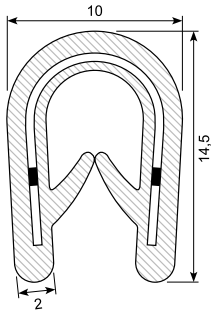
Edge trim: EPDM
Grip range: 1,5 - 3,5 mm
Hardness: SH 65
Insert: 29 x 0,5 mm steel

33.420X



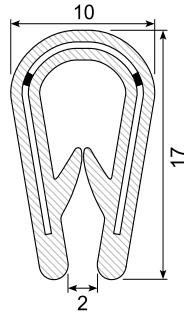
Edge trim: PVC black
Grip range: 1 - 4 mm
Hardness: SH 75
Insert: 27 x 0,47 mm steel

33.420F



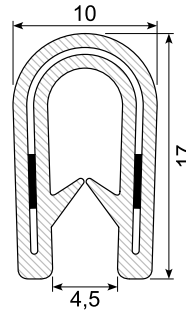
Edge trim: EPDM
Grip range: 1 - 3 mm
Hardness: SH 65
Insert: 26 x 0.5 mm steel
Flame retardent NNF 16-101

33.419



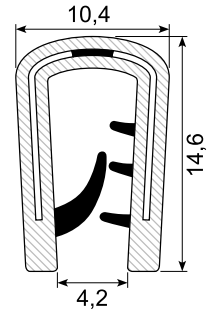
Edge trim: PVC black
Grip range: 1 - 4 mm
Hardness: SH 78
Insert: 31 x 0.5 mm steel

33.411



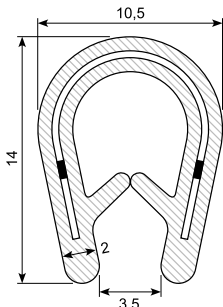
Edge trim: PVC Grey
Grip range: 2.5 - 4 mm
Hardness: SH 78
Insert: 29 x 0.48 mm steel

33.418X



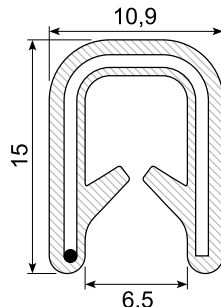
Edge trim: PVC black + bi
Grip range: 2 - 5 mm
Hardness: SH 75 / 75
Insert: 26 x 0.47 mm steel
White lips

33.420FX



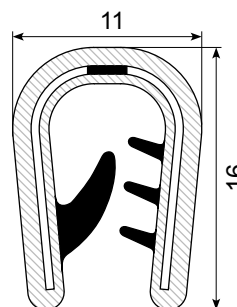
Edge trim: EPDM
Grip range: 1 - 3 mm
Hardness: SH 60
Insert: 26 x 0.5 mm steel
Flame retardent EN 45545

33.434



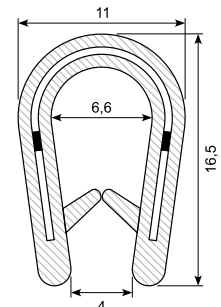
Edge trim: EPDM
Grip range: 2 - 4 mm
Hardness: SH 65
Insert: 30 mm wire

33.414 **



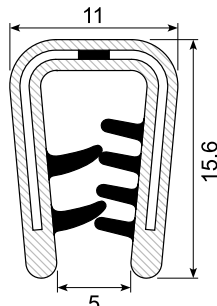
Edge trim: PVC black + bi
Grip range: 4-6 mm
Hardness: SH 78/57
Insert: 31x0.5 mm steel

33.419A



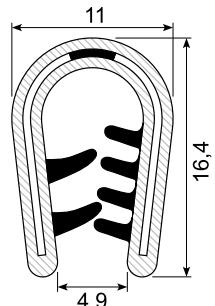
Edge trim: PVC black
Grip range: 2 - 4 mm
Hardness: SH 75
Insert: 30 x 0.5 mm steel

33.427X



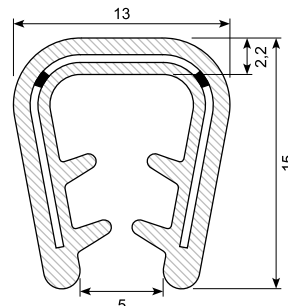
Edge trim: PVC black + bi
Grip range: 1.5 - 4.5 mm
Hardness: SH 75 / 75
Insert: 30 x 0.47 mm steel
Yellow lips

33.094X



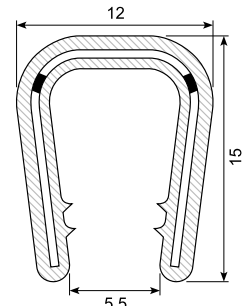
Edge trim: PVC black + bi
Grip range: 1 - 4 mm
Hardness: SH 75 / 75
Insert: 30 x 0.47 mm steel
Yellow lips

33.435X



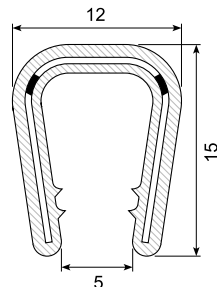
Edge trim: EPDM
Grip range: 5 - 8 mm
Hardness: SH 70
Insert: 31 x 0.5 mm steel

33.1153A



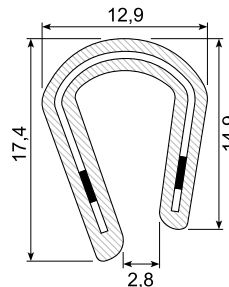
Edge trim: PVC black
Grip range: 6 - 8 mm
Hardness: SH 78
Insert: 32 mm steel

33.1153GA



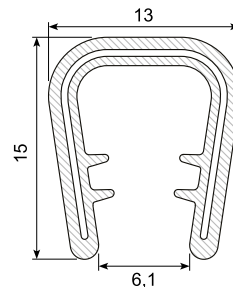
Edge trim: PVC grey
Grip range: 6 - 8 mm
Hardness: SH 78
Insert: 32 mm steel

33.415



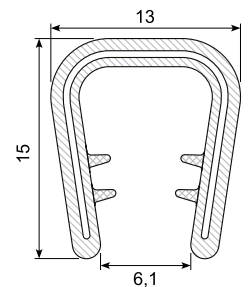
Edge trim: PVC black
Grip range: 5 - 7 mm
Hardness: SH 78
Insert: 29 x 0.48 mm steel

33.426XA



Edge trim: PVC black
Hardness: SH 78
Grip range: 4.5 - 7 mm
Insert: 32 mm
Min. order: 1.000 m

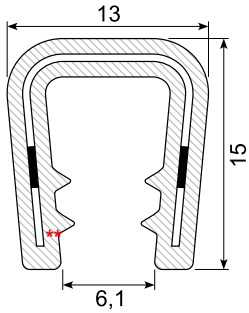
33.426A / 33.426GA **



Edge trim: PVC black + bi,
33.426GA: grey
Hardness: SH 78 / 65
Grip range: 4.5 - 7 mm
Insert: 32 mm
Min. order: 1.000 m

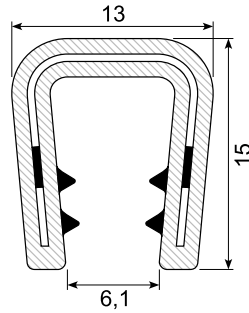
Kantlister / Edge trims

33.426X



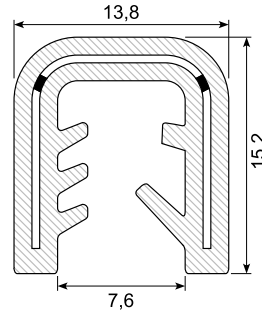
Edge trim: PVC black
Grip range: 4,5 - 7 mm
Hardness: SH 75
Insert: 30 x 0,8 mm steel

33.426



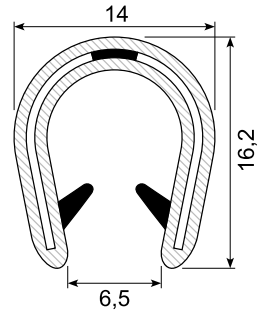
Edge trim: PVC + bi
Grip range: 4,5 - 7 mm
Hardness: SH 78 / 65
Insert: 29 x 0,48 mm steel

33.433**



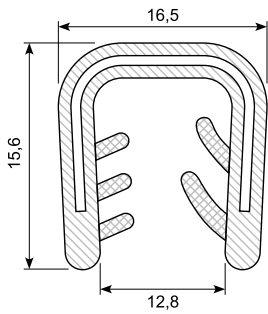
Edge trim: EPDM
Grip range: 4 - 6 mm
Hardness: SH 70
Insert: 33 x 0,47 mm steel

33.1154



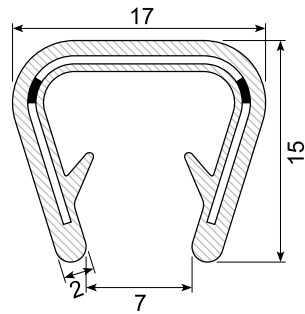
Edge trim: PVC black
Grip range: 6 - 8 mm mm
Hardness: SH 75 / 75
White lips

33.430



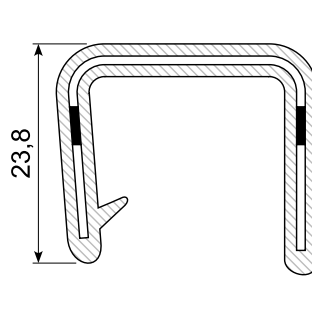
Edge trim: PVC black + bi
Grip range: 8 - 12 mm (9-11 mm)
Hardness: SH 75 / 57
Insert: 36 x 0,5 steel

33.428 / 33.428G



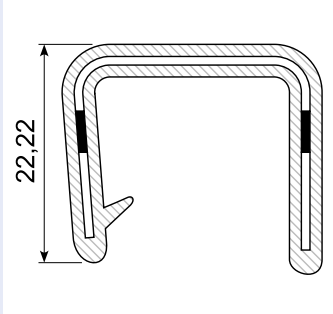
Edge trim: PVC black + bi
Grip range: 10 - 12 mm
Hardness: SH 78
Insert: 36 x 0,5 mm steel
33.428G (grey)

33.1155



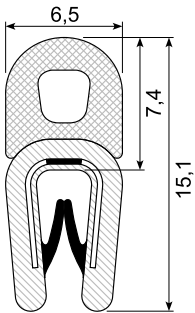
Edge trim: PVC black
Grip range: 15 - 16 mm
Hardness: SH 85
Insert: Steel

33.1156



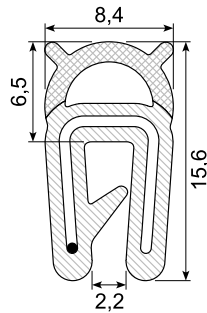
Edge trim: PVC black
Grip range: 18 - 19 mm
Hardness: SH 85
Insert: Steel

33.354



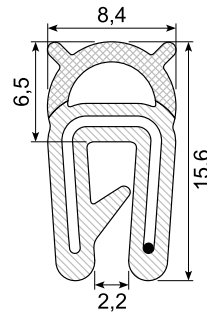
Edge trim: PVC+bi / sponge rubber
Grip range: 1 - 2 mm
Hardness: SH 78 / 57 / density 0,55
Insert: 16 x 0,3 mm steel

33.468F



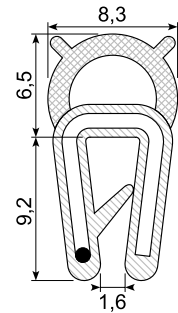
Edge trim: EPDM co-ex
Grip range: 1 - 2 mm
Hardness: SH 60 / density 0,8
Insert: 22 x 0,75 mm wire
Flame retardent EN 45545

33.468X



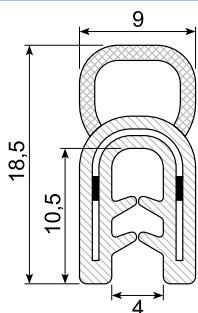
Edge trim: EPDM co-ex
Grip range: 1 - 2 mm
Hardness: SH 60 / density 0,55
Insert: 22 x 0,75 mm wire

33.468B *



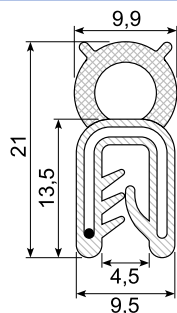
Edge trim: EPDM co-ex
Grip range: 1 - 2 mm
Hardness: SH 70 / density 0,55
Insert: 22 mm wire
Min. order: 3.000 mtr.

33.358C *



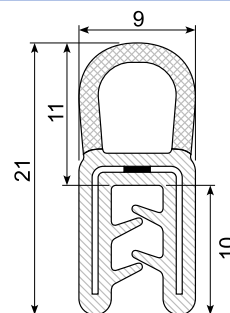
Edge trim: EPDM co-ex
Grip range: 0,8 - 2,5 mm
Hardness: SH 65
Insert: 25 x 0,5 mm steel
Min. order: 3.000 m

33.021



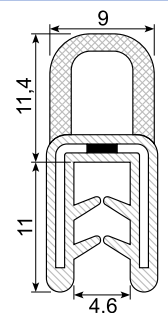
Edge trim: EPDM co-ex
Grip range: 0,8 - 2 mm
Hardness: SH 70 / density 0,55
Insert: 25 mm wire

33.358X**



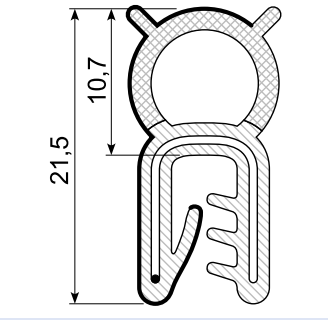
Edge trim: EPDM co-ex
Grip range: 1 - 2,5 mm
Hardness: SH 70 / density 0,55
Insert: 26 x 0,5 mm
Unbroken

33.358B



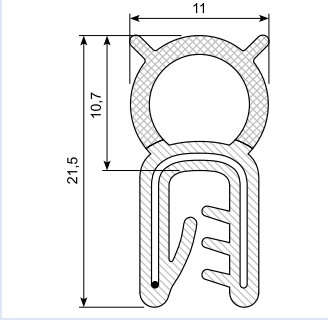
Edge trim: EPDM co-ex
Grip range: 1 - 3 mm
Hardness: SH 70 / density 0,55
Insert: 27 mm

33.371E EMV - EMC - EMI *



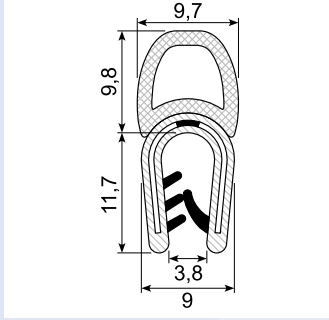
Edge trim: EPDM co-ex
 Grip range: 1 - 3 mm
 Hardness: SH 70 / density 0,55
 Insert: Wire
 Electromagnetic compatibility. On demand

33.371F *



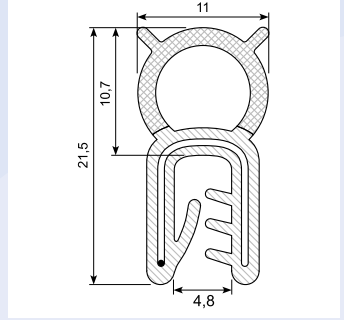
Edge trim: EPDM co-ex
 Grip range: 1 - 3 mm
 Hardness: SH 65 / density 0,6
 Insert: 26 x 0,75 mm wire
 Flame retardant NFF16-101
 Min. order 4.000 m

33.469X



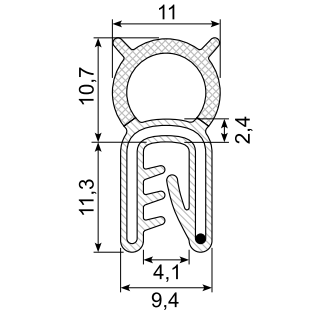
Edge trim: PVC+bi / sponge rubber
 Grip range: 1,5 - 3,5 mm
 Hardness: SH 75 / 63
 density 0,6 - 0,85
 Insert: 26 x 0,47 mm steel

33.371FX



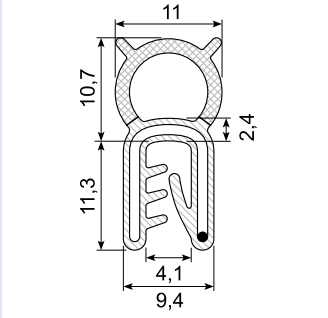
Edge trim: EPDM co-ex
 Grip range: 1 - 3 mm
 Hardness: SH 60 / density 0,8
 Insert: 26 x 0,75 mm wire
 Flame retardant EN 45545

33.371X



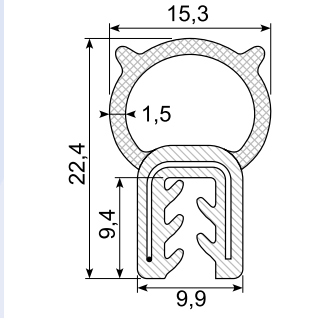
Edge trim: EPDM co-ex
 Grip range: 1 - 3,5 mm (1 - 3 mm)
 Hardness: SH 70 / density 0,55
 Insert: 27 mm wire

33.370NBR



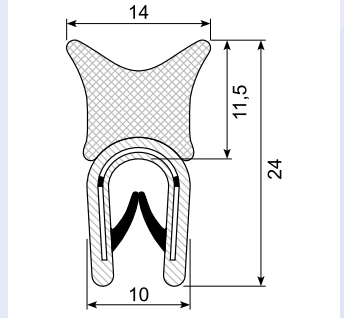
Edge trim: NBR co-ex
 Grip range: 1 - 3 mm
 Hardness: SH 70 / density 0,55
 Insert: Wire
 Oil resistant

33.369



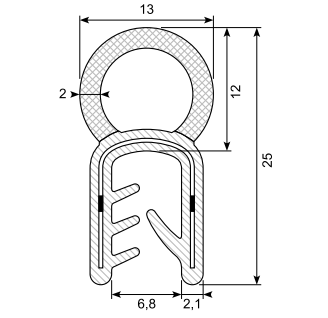
Edge trim: EPDM co-ex
 Grip range: 2 - 4 mm
 Hardness: SH 65 / density 0,6
 Insert: Wire

33.481



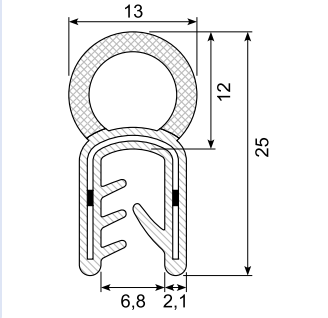
Edge trim: PVC + bi / spongerubber
 Grip range: 1 - 4 mm
 Hardness: SH 57 / 78 / density 0,55
 Insert: Steel

33.353NBR *



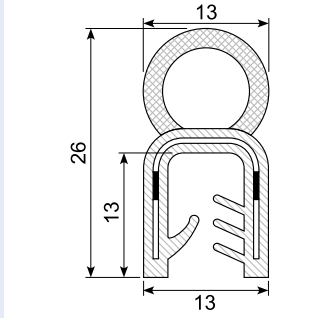
Edge trim: Co-ex
 Grip range: 3 - 4 mm
 Hardness: SH 70 / density 0,55
 Insert: 31 x 0,5 mm
 Min. order: 3.000 m

33.353S *



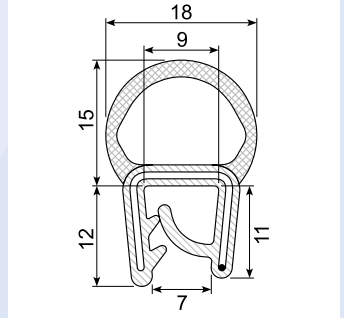
Edge trim: EPDM co-ex
 Grip range: 3 - 4 mm
 Hardness: SH 65 / density 0,6
 Insert: 31 x 0,5 mm steel
 Min. order: 6.000 m

33.353



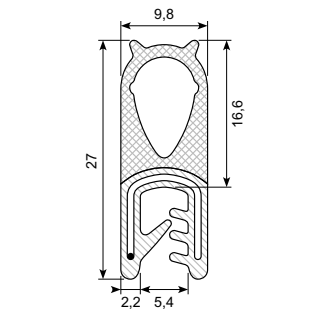
Edge trim: EPDM co-ex
 Grip range: 3 - 5 mm
 Hardness: SH 65 / density 0,6
 Insert: 32 mm steel

33.352



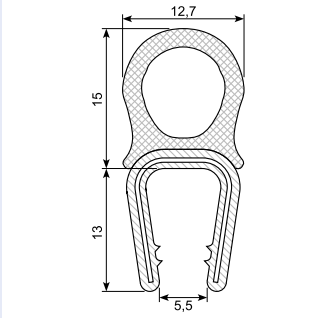
Edge trim: EPDM co-ex
 Grip range: 5 - 6 mm
 Hardness: SH 78 / density 0,6
 Insert: 31 x 0,5 mm

33.362FX



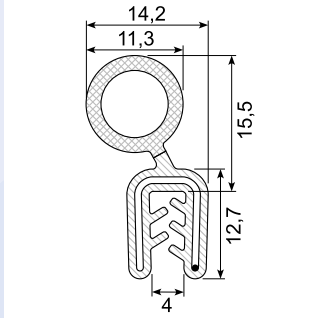
Edge trim: EPDM co-ex
 Grip range: 1 - 3,5 mm
 Hardness: SH 60 / density 0,8
 Insert: 26 x 0,75 mm wire
 Flame retardant EN 45545
 * Skaffevare / Special order item

33.357X



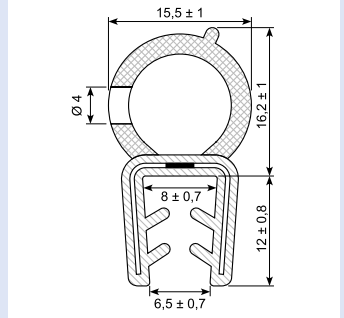
Edge trim: PVC / sponge rubber
 Grip range: 5 - 7 mm
 Hardness: SH 78 / density 0,6
 Insert: 31 x 0,5 mm

33.359X



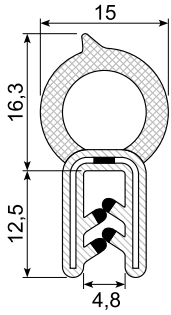
Edge trim: EPDM co-ex
 Grip range: 1,5 - 4 mm
 Hardness: SH 70 / density 0,6 - 0,85
 Insert: 25 wire

33.353X



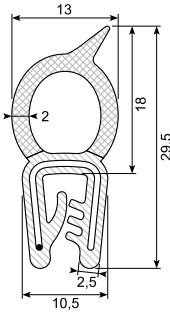
Edge trim: EPDM co-ex
 Grip range: 4 - 6 mm
 Hardness: SH 65 / density 0,6
 Insert: 33 mm steel

33.376



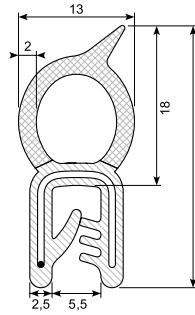
Edge trim: EPDM co-ex
Grip range: 1 - 3,5 mm
Hardness: SH 70 / density 0,75
Insert: 27 mm steel

33.360



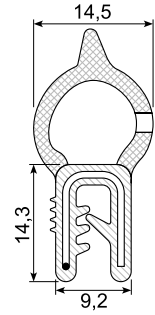
Edge trim: EPDM co-ex
Grip range: 1 - 2,5 mm
Hardness: SH 60 / density 0,6
Insert: 27 x 0,75 mm wire

33.360NBR *



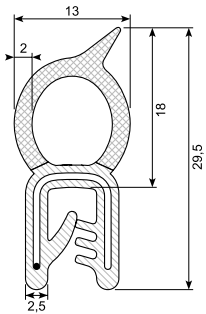
Edge trim: NBR co-ex
Grip range: 1 - 3 mm
Hardness: SH 70 / density 0,55
Insert: 27 x 0,75 wide
Oil resistant
Min. order: 4.000 m

33.377



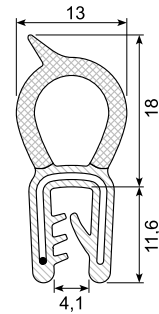
Edge trim: EPDM co-ex
Grip range: 1 - 3,5 mm
Hardness: SH 70 / density 0,75
Insert: 27 mm wire

33.360F *



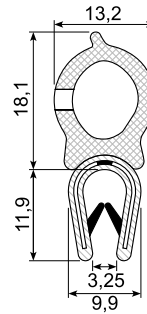
Edge trim: EPDM co-ex
Grip range: 2 - 4 mm
Hardness: SH 65 / density 0,6
Insert: 27 x 0,76 mm wire
Flame retardant NFF16-101
Min. order: 3.000 m

33.360X



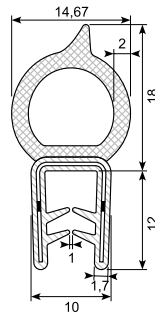
Edge trim: EPDM co-ex
Grip range: 1 - 3 mm
Hardness: SH 70 / density 0,6
Insert: 27 x 0,75 mm wire

33.365X



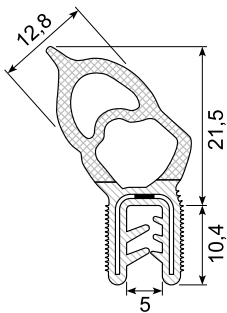
Edge trim: PVC+bi sponge rubber
Grip range: 1 - 4 mm
Hardness: SH 75 / 63 / density 0,6 - 0,85
Insert: 26 x 0,47 mm steel

33.362F *



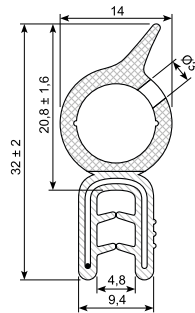
Edge trim: EPDM co-ex
Grip range: 2 - 4 mm
Hardness: SH 65 / density 0,6
Insert: 29 x 0,5 mm steel
Min. order: 1.000 m
Flame retardant BS6853 and DIN5510

33.374



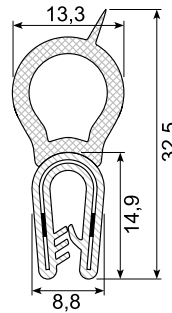
Edge trim: EPDM co-ex
Grip range: 1,5 - 4 mm
Hardness: SH 70 / density 0,55
Insert: 27 x 0,47 mm steel

33.362D



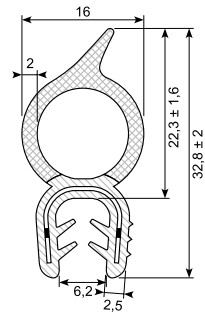
Edge trim: EPDM co-ex
Grip range: 2 - 4 mm
Hardness: SH 65 / density 0,6
Insert: 27 x 0,75 mm wire

33.360R



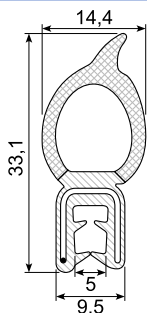
Edge trim: PVC sponge rubber
Grip range: 1 - 2,5 mm
Hardness: SH 77 / density 0,65 - 0,75
Insert: 26 x 0,5 mm stainless 304 steel

33.362E * **



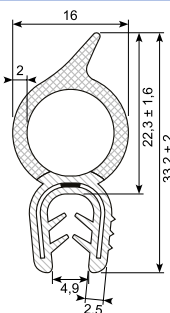
Edge trim: EPDM co-ex
Grip range: 3 - 5 mm
Hardness: SH 65 / density 0,6
Insert: 26 x 0,5 mm steel
Min. order: 1.500 m

33.362



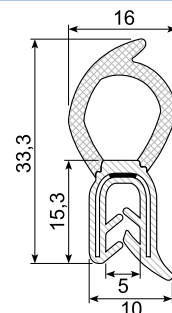
Edge trim: EPDM co-ex
Grip range: 1 - 3,5 mm
Hardness: SH 70 / density 0,6
Insert: 26 x 0,76 mm wire

33.362C *



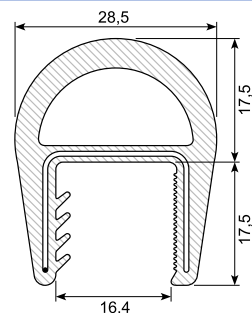
Edge trim: EPDM co-ex
Grip range: 1,5 - 3 mm
Hardness: SH 65 / density 0,6
Insert: 26 x 0,5 mm steel
Min. order: 1.000 m

33.025



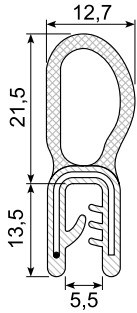
Edge trim: EPDM co-ex
Grip range: 1,5 - 3,5 mm
Hardness: SH 70 / density 0,55
Insert: 27 x 0,47 mm steel

33.367 *



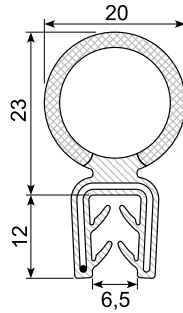
Edge trim: EPDM solid balloon
Grip range: 16 mm
Hardness: SH 60
Insert: 52 x 0,76 mm wire
Min. order: 3.000 m

33.380



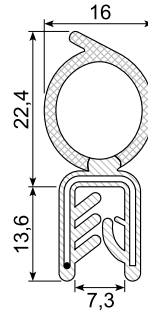
Edge trim: EPDM co-ex
Grip range: 2 - 4 mm
Hardness: SH 70 / density 0,55
Insert: 29 mm wire

33.379



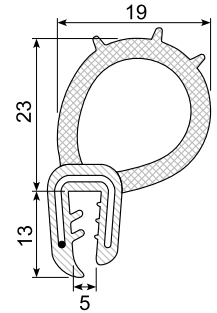
Edge trim: EPDM co-ex
Grip range: 2,5 - 5 mm
Hardness: SH 70 / density 0,55
Insert: 33 mm wire

33.378



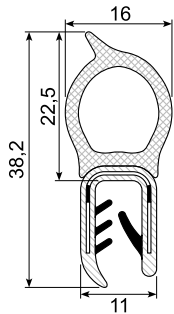
Edge trim: EPDM co-ex
Grip range: 1,5 - 5 mm
Hardness: SH 70 / density 0,55
Insert: 33 mm wire

33.375



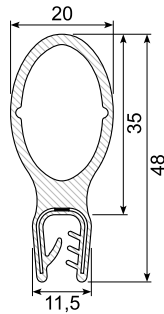
Edge trim: EPDM co-ex
Grip range: 4 - 5 mm
Hardness: SH 70 / density 0,6 - 0,85
Insert: 27 mm wire

33.463



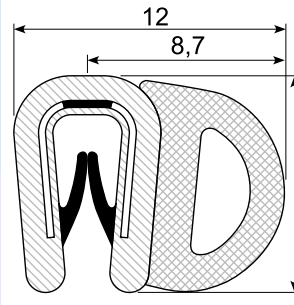
Edge trim: PVC+bi / sponge rubber
Grip range: 4 - 6 mm
Hardness: SH78/57 density 0,55
Insert: 31 x 0,5 mm steel

33.355B



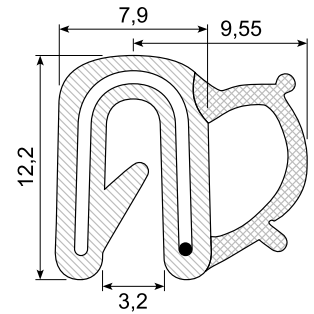
Edge trim: EPDM solid balloon
Grip range: 3 - 5 mm
Hardness: SH 60
Insert: 31 x 0,5 mm steel unbroken

33.408X



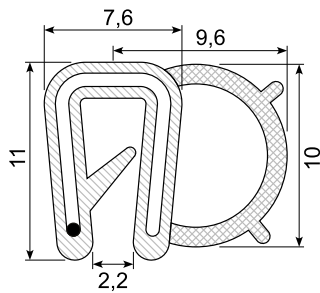
Edge trim: PVC+bi / sponge rubber
Grip range: 1 - 2 mm
Hardness: SH 78 / 57 density 0,55
Insert: 16 x 0,3 mm steel

33.407X



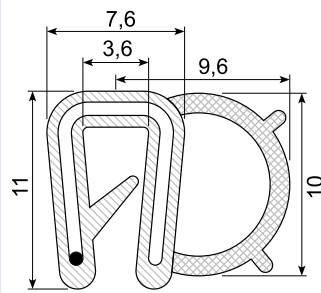
Edge trim: EPDM co-ex
Grip range: 0,8 - 2,5 mm
Hardness: SH 60 / density 0,55
Insert: 22 x 0,75 mm wire

33.403 *



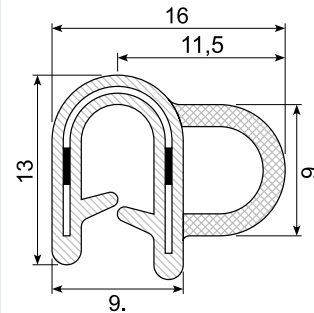
Edge trim: EPDM co-ex
Grip range: 1 - 2 mm
Hardness: SH 70 / density 0,55
Insert: 20 x 0,76 mm wire
Min. order: 8.000 m

33.403F



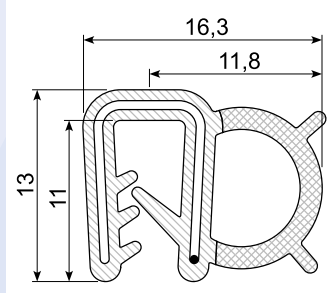
Edge trim: EPDM co-ex
Grip range: 1 - 2 mm
Hardness: SH 60 / density 0,8
Insert: 22 x 0,75 mm wire
Flame retardent EN 45545

33.9779



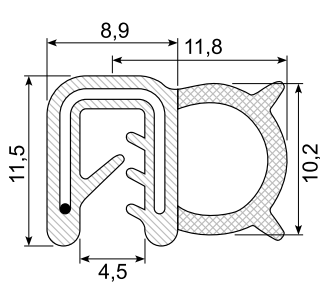
Edge trim: EPDM co-ex
Grip range: 1,5 - 3 mm (1 - 3 mm)
Hardness: SH 70 / density 0,65
Insert: 25 x 0,5 mm steel

33.395A



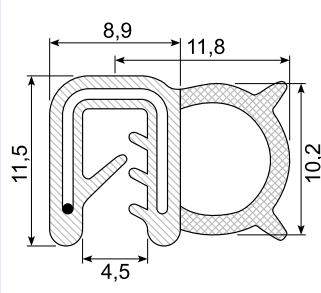
Edge trim: EPDM co-ex
Grip range: 2 mm
Hardness: SH 60 / density 0,6
Insert: 26 x 0,75 mm wire

33.395X



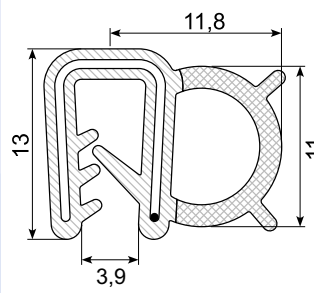
Edge trim: EPDM co-ex
Grip range: 1 - 3 mm
Hardness: SH 70 / density 0,55
Insert: Wire

33.395XX (Udgår) **



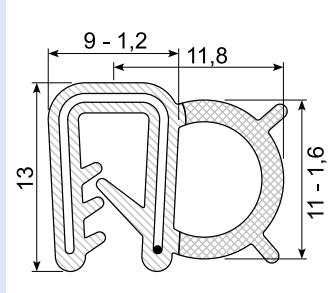
Edge trim: EPDM co-ex
Grip range: 1 - 2 mm
Hardness: SH 70 / density 0,55
Insert: Wire

33.395XA **



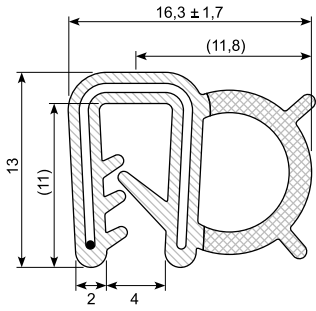
Edge trim: EPDM co-ex
Grip range: 1 - 3 mm
Hardness: SH 70 / density 0,55
Insert: Wire
Min. order: 4500m

33.398



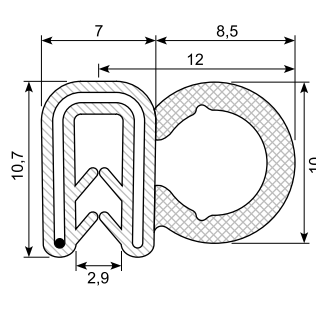
Edge trim: NBR co-ex
Grip range: 2 mm
Hardness: SH 60 / density 0,55
Insert: 27 x 0,76 mm wire
Oil resistant

33.395F



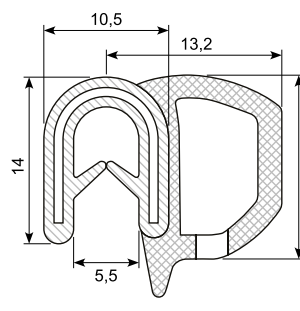
Edge trim: EPDM co-ex
Grip range: 1 - 3 mm
Hardness: SH 60 / density 0,8
Insert: 26 x 0,75 mm wire
Flame retardent EN 45545

33.381



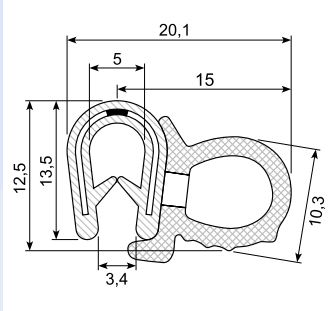
Edge trim: EPDM co-ex
Grip range: 1 - 2,5 mm
Hardness: SH 70 density 0,55
Insert: Wire

33.444A *



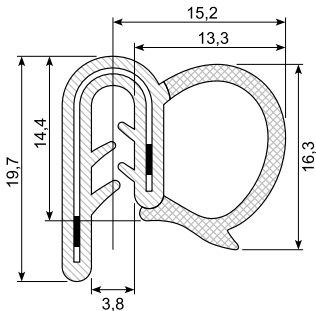
Edge trim: EPDM co-ex
Grip range: 1,5 - 4 mm
Hardness: SH 70 / density 0,55
Insert: Wire
Min. order: 1.000 m

33.372X



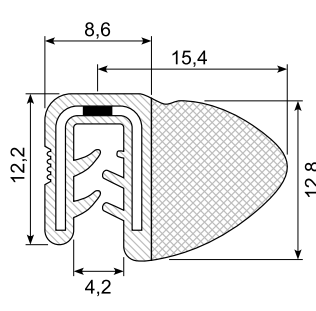
Edge trim: PVC + sponge rubber
Grip range: 1 - 3,5 mm
Hardness: SH 75 / 75 / density 0,6 - 0,85
Insert: 22 x 0,47 mm steel

33.506 *



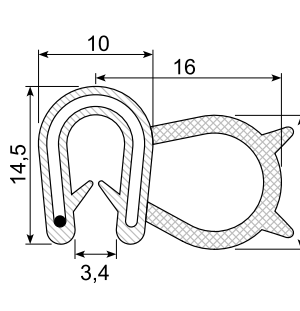
Edge trim: EPDM co-ex
Grip range: 1 - 2,5 mm
Hardness: SH 70 / density 0,6
Insert: 30 x 0,47 mm steel
On demand min. 4.000 m

33.480



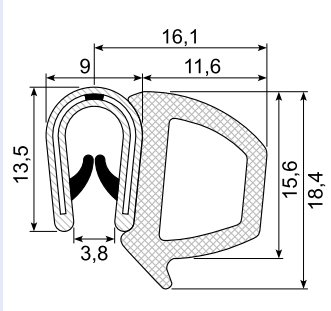
Edge trim: EPDM co-ex
Grip range: 1 - 3,5 mm
Hardness: SH 70 / density 0,55
Insert: Steel

33.396



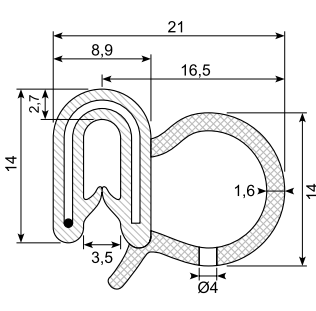
Edge trim: EPDM co-ex
Grip range: 1 - 3 mm
Hardness: SH 70 density 0,6 - 0,85
Insert: 27 mm wire

33.444X



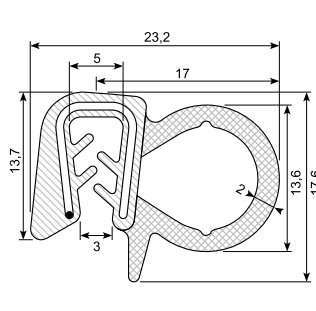
Edge trim: PVC + sponge rubber
Grip range: 1 - 3,5 mm
Hardness: SH75/75/density 0,6-0,86
Insert: 26 x 0,47 mm steel
Red lips

33.319



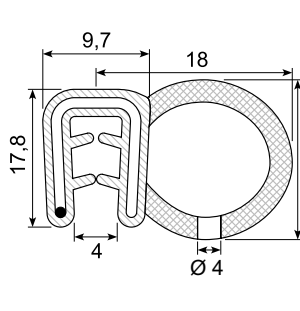
Edge trim: EPDM co-ex
Grip range: 1 - 3 mm
Hardness: SH 70 / density 0,6 0,85
Insert: Wire

33.319F *



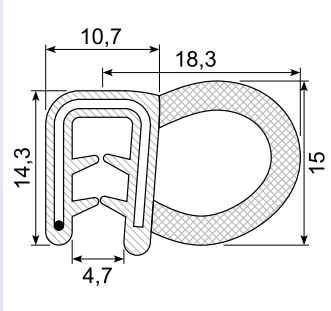
Edge trim: EPDM co-ex
Grip range: 1 - 2 mm
Hardness: SH 70 / density 0,6
Insert: 26 x 0,75 mm wire
Flame retardent NFF16-101
Min. order: 3.000 m

33.323



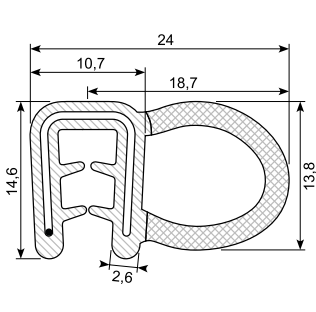
Edge trim: EPDM co-ex
Grip range: 1,5 - 3,5 mm
Hardness: SH 70 density 0,6 - 0,85
Insert: 27 mm

33.324CR



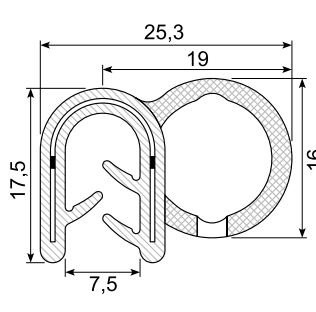
Edge trim: CR co-ex
Grip range: 1 - 3,5 mm
Hardness: SH70 / density 0,6 - 0,85
Insert: 29 mm wire
Conditional oil resistant

33.338F



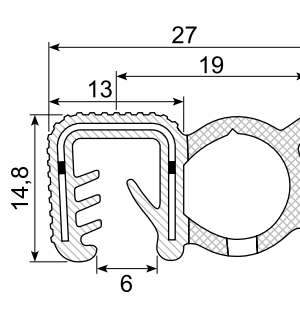
Edge trim: EPDM co-ex
Grip range: 1,5 - 3 mm
Hardness: SH 65 / density 0,60
Insert: 30 x 0,75 mm wire
Flame redardent EN45545

33.450NBR



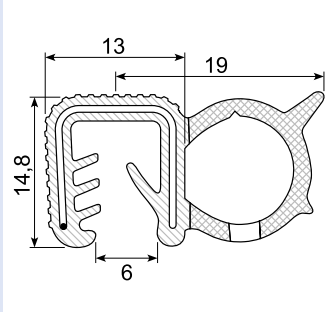
Edge trim: NBR co-ex
Grip range: 4 - 6 mm (3 - 6 mm)
Hardness: SH 70 / density 0,55
Insert: 34 x 0,5 mm steel
Oil resistant

33.457



Edge trim: EPDM co-ex
Grip range: 5 - 6 mm
Hardness: SH 60 / density 0,6
Insert: 32 x 0,6 mm steel unbroken

33.457ST

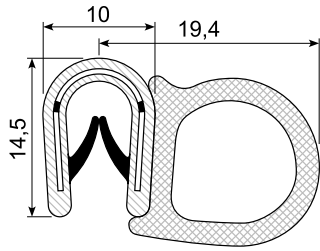


Edge trim: EPDM co-ex
Grip range: 5 - 6 mm
Hardness: SH 60 / density 0,55
Insert: 31 x 0,76 mm wire

* Skaffevare / Special order item

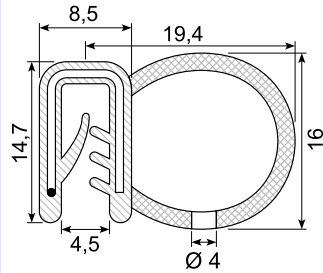
SINDBY PROFILES 5 - 00129-5-k201902

33.449



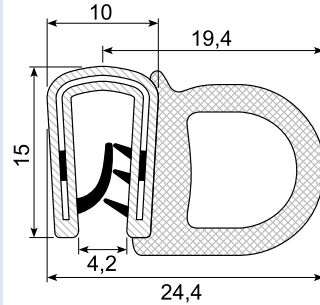
Edge trim: PVC+bi / sponge rubber
Grip range: 1 - 4 mm
Hardness: SH78/57 / density 0,55
Insert: 26 x 0,5 mm steel

33.321



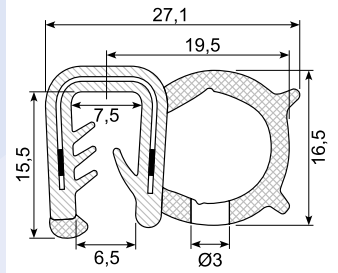
Edge trim: EPDM co-ex
Grip range: 1 - 3,5 mm
Hardness: SH 70 / density 0,6 - 0,85
Insert: 27 mm wire

33.452R



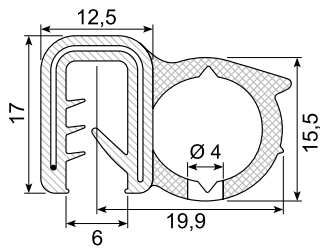
Edge trim: PVC+bi / sponge rubber
Grip range: 2 - 4 mm
Hardness: SH 78 / 65
density 0,65 - 0,75
Insert: 29 x 0,48 mm stainless steel

33.457S-6



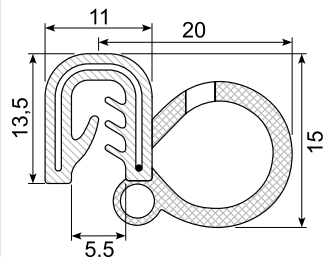
Edge trim: EPDM co-ex
Grip range: 3 - 6 mm
Hardness: SH 70 / density 0,6
Insert: 32 x 0,47 steel

33.024



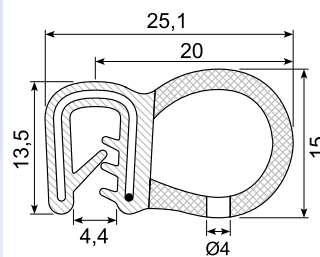
Edge trim: EPDM co-ex
Grip range: 2 - 4 mm (2 - 5 mm)
Hardness: SH 70 / density 0,55
Insert: 33 mm wire

33.454X



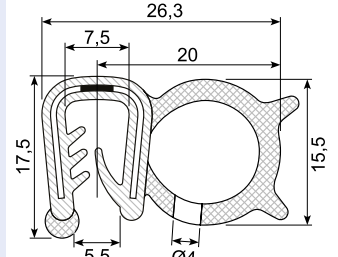
Edge trim: EPDM co-ex
Grip range: 2 mm
Hardness: SH 70 / density 0,55
Insert: 27 x 0,76 mm wire

33.335



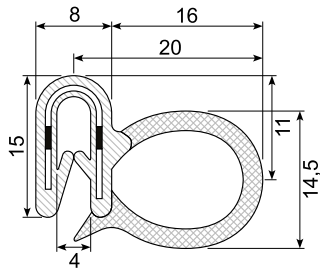
Edge trim: EPDM co-ex
Grip range: 1,5 - 3,5 mm
Hardness: SH70/density 0,55-0,85
Insert: 27 mm wire

33.457S-4 *



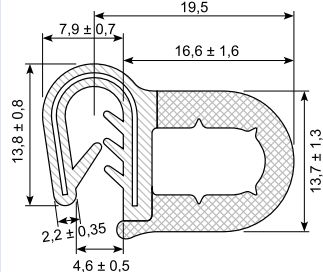
Edge trim: EPDM co-ex
Grip range: 2 - 4 mm
Hardness: SH 70 / density 0,6
Insert: Steel
Min. order: 3.000 m

33.333 *



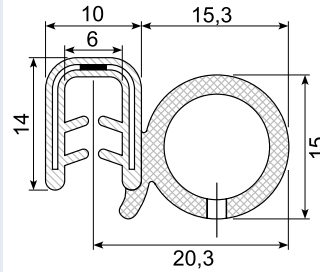
Edge trim: EPDM co-ex
Grip range: 1 - 3 mm
Hardness: SH 65 / density 0,6
Insert: 29 x 0,5 mm steel
Min. order: 4.000 m

33.451E



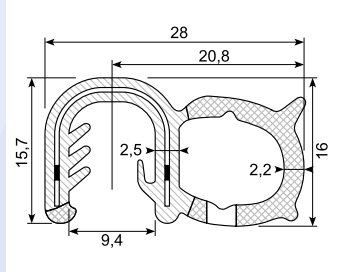
Edge trim: EPDM co-ex
Grip range: 2 - 5 mm
Hardness: SH 70 / density 0,6
Insert: 30 mm steel

33.020



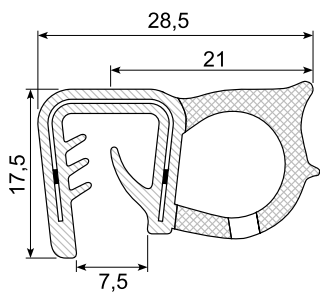
Edge trim: EPDM co-ex
Grip range: 1,5 - 3 mm
Hardness: SH 70 / density 0,55
Insert: 27 x 0,47 mm steel

33.332X *



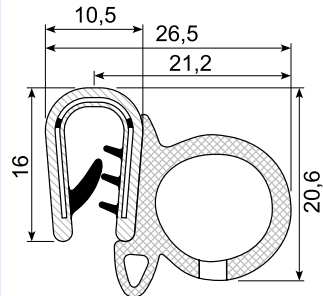
Edge trim: EPDM co-ex
Grip range: 5 - 6 mm
Hardness: SH 70 / density 0,6
Insert: 33 x 0,5 steel
Min. order: 5.000 m

33.470



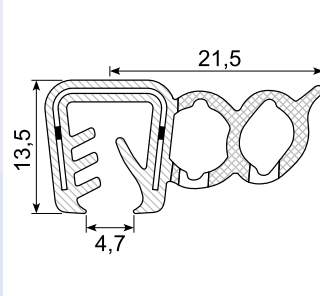
Edge trim: EPDM co-ex
Grip range: 5 - 8 mm
Hardness: SH 70 / density 0,6
Insert: 36 x 0,5 mm steel

33.339X



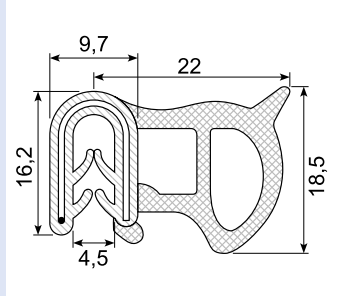
Edge trim: PVC+bi / sponge rubber
Grip range: 2,5 - 4 mm
Hardness: SH 78 / 65
Insert: Steel

33.456 *



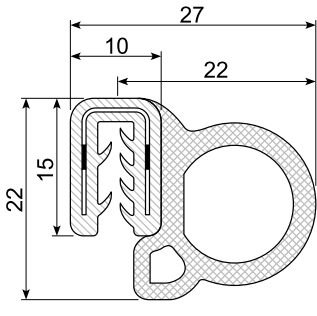
Edge trim: EPDM co-ex
Grip range: 5 - 6 mm
Hardness: SH 70 / density 0,6
Insert: 30 x 0,6 mm steel
Min. order: 4.000 m

33.12116 *



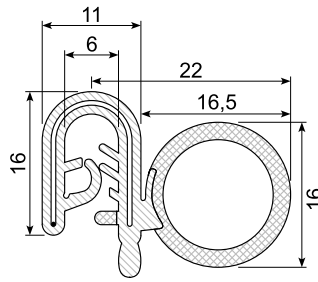
Edge trim: EPDM co-ex
Grip range: 1 - 4 mm
Hardness: SH 70 / density 0,6 - 0,85
Insert: 29 mm wire
Min. order: 3.000 m

33.328 *



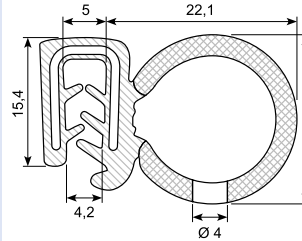
Edge trim: EPDM co-ex
Grip range: 1,5 - 2,5 mm
Hardness: SH 65 / density 0,6
Insert: 29 x 0,5 mm steel
Min. order: 4.000 m

33.022



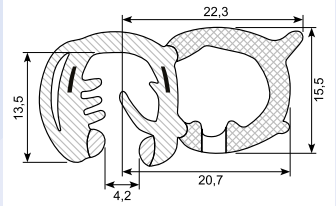
Edge trim: EPDM co-ex
Grip range: 1,5 - 3 mm (1,5 - 4 mm)
Hardness: SH 70 / density 0,6
Insert: 33 mm wire

33.340



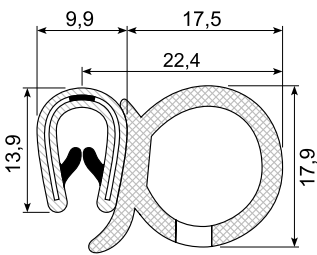
Edge trim: EPDM co-ex
Grip range: 2 - 4 mm
Hardness: SH 70
Insert: 29 x 0,74 mm steel

33.332B *



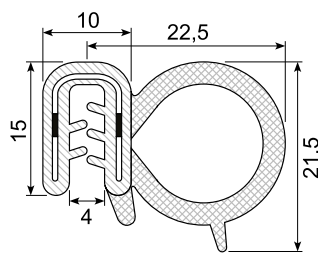
Edge trim: EPDM co-ex
Grip range: 3 - 6 mm
Hardness: SH 70 / density 0,55
Insert: 32 mm Steel
Min. order: 1.000 m

33.453X



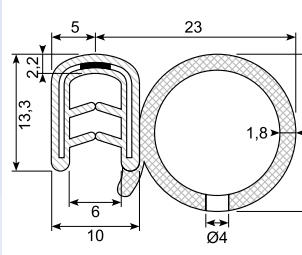
Edge trim: PVC + sponge rubber
Grip range: 1 - 3,5 mm
Hardness: SH75/75 density 0,6-0,85
Insert: 26 x 0,47 mm steel

33.320 *



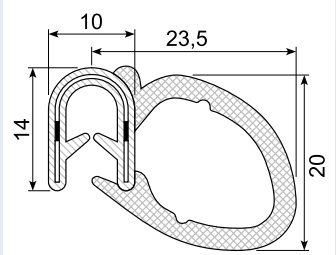
Edge trim: EPDM co-ex
Grip range: 1 - 2,5 mm
Hardness: SH 65 / density 0,6
Insert: 29 x 0,5 mm steel
Min. order: 4.000 m

33.019



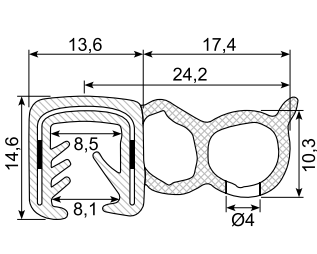
Edge trim: EPDM co-ex
Grip range: 1 - 4 mm
Hardness: SH 70 / density 0,6 - 0,85
Insert: Steel

33.447



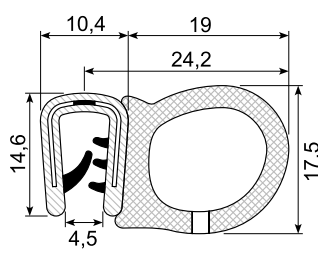
Edge trim: EPDM co-ex
Grip range: 2,5 - 5 mm
Hardness: SH 70 / density 0,6
Insert: Steel

33.455



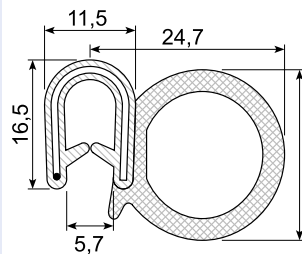
Edge trim: EPDM co-ex
Grip range: 4 - 6 mm
Hardness: SH 70 / density 0,6
Insert: Steel unbroken

33.452X



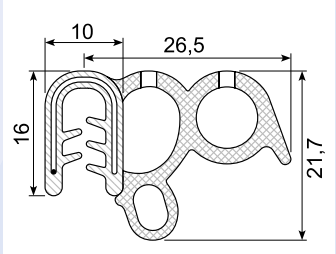
Edge trim: PVC+bi / sponge rubber
Grip range: 2 - 4 mm
Hardness: SH 78 / 65 density 0,65 - 0,75
Insert: 29 x 0,48 mm

33.326



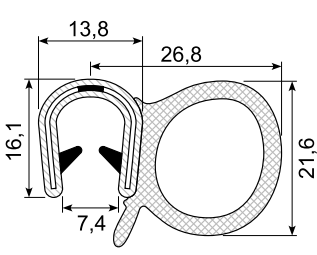
Edge trim: EPDM co-ex
Grip range: 1,5 - 4 mm
Hardness: SH70/density 0,55 - 0,85
Insert: 33 mm wire

33.464



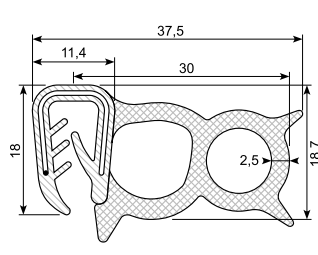
Edge trim: EPDM co-ex
Grip range: 1,5 - 3,5 mm
Hardness: SH 70 / density 0,6
Insert: 31 x 0,75 mm wire

33.331



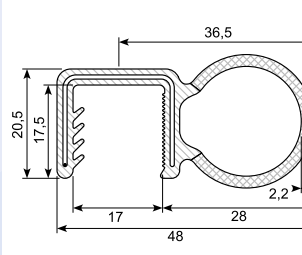
Edge trim: PVC + sponge rubber
Grip range: 6 - 8 mm
Hardness: SH75/75 density 0,6-0,85
Insert: 30 x 0,47 mm steel
White lips

33.456F



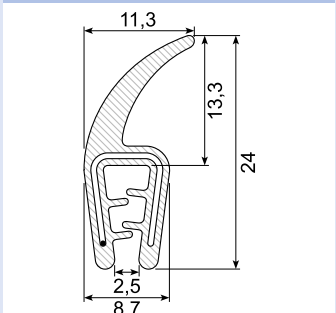
Edge trim: EPDM co-ex
Grip range: 2 - 4 mm
Hardness: SH 65 / density 0,6
Insert: 31 x 0,75 mm wire
Flame retardent NFF16-101
Min. order: 3.000 m

33.478 *



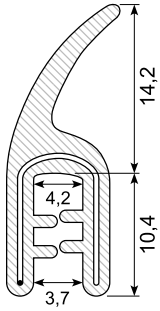
Edge trim: EPDM co-ex
Grip range: 16 mm
Hardness: SH 60 / density 0,6
Insert: 52 x 0,76 mm wire
Min. order: 3.000 m

33.458X



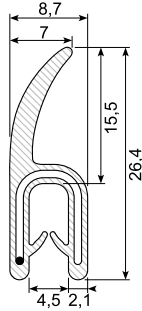
Edge trim: EPDM solid lip
Grip range: 1 - 2,5 mm
Hardness: SH 60
Insert: 26 x 0,76 mm wire

33.458A



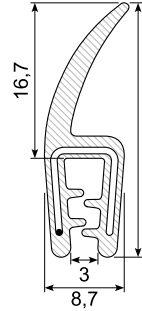
Edge trim: EPDM co-ex
Grip range: 1 - 3 mm
Hardness: SH 70
Insert: Wire

33.465C



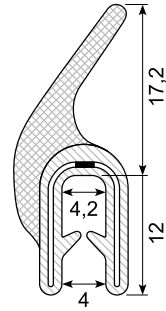
Edge trim: EPDM solid lip
Grip range: 2 - 4 mm
Hardness: SH 70
Insert: 27 x 0,76 wire

33.465X



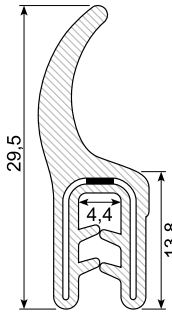
Edge trim: EPDM solid lip
Grip range: 1 - 3 mm
Hardness: SH 60
Insert: 26 x 0,76 mm wire

33.479



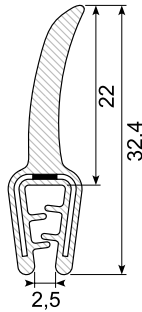
Edge trim: EPDM co-ex
Grip range: 2 - 4 mm
Hardness: SH 70 / density 0,6
Insert: Steel

33.465B *



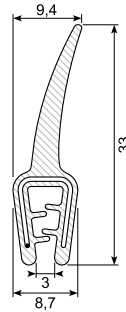
Edge trim: EPDM solid lip
Grip range: 1 - 3 mm
Hardness: SH 70
Insert: 27 x 0,5 mm steel unbroken
Min. ordre: 3.000 m

33.459P



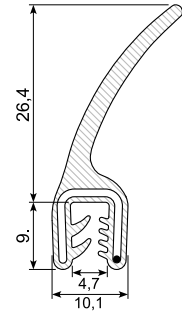
Edge trim: PVC solid lip
Grip range: 1 - 2,5 mm
Hardness: SH 57
Insert: 24 x 0,5 mm steel unbroken

33.459X



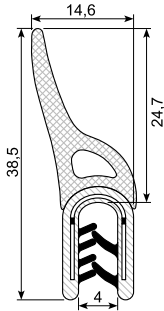
Edge trim: EPDM solid lip
Grip range: 1 - 2,5 mm
Hardness: SH 60
Insert: 26 x 0,76 mm wire

33.459B



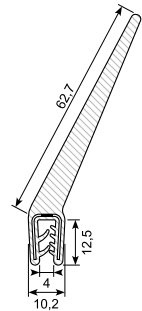
Edge trim: EPDM solid lip
Grip range: 1,5 - 3 mm
Hardness: SH 70
Insert: Wire

33.475



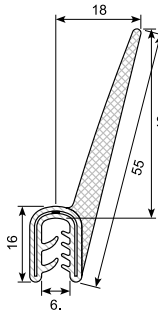
Edge trim: PVC + bi / sponge rubber
Grip range: 2 - 4 mm
Hardness: SH 78 / 57 / density 0,55
Insert: Steel

33.382



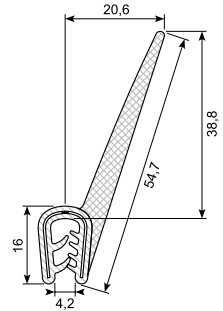
Edge trim: EPDM co-ex, solid lip
Grip range: 1 - 3,5 mm
Hardness: SH 70
Insert: Steel

33.482



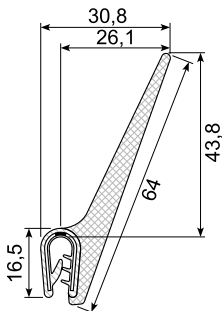
Edge trim: EPDM co-ex, solid lip
Grip range: 2 - 4,5 mm
Hardness: SH 70
Insert: 30 x 0,47 mm steel

33.483



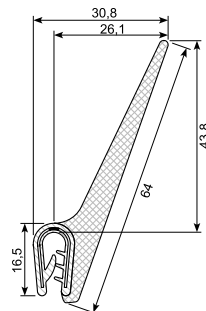
Edge trim: EPDM co-ex, solid lip
Grip range: 1 - 2,5 mm
Hardness: SH 70
Insert: 30 x 0,47 mm steel

33.460-2C



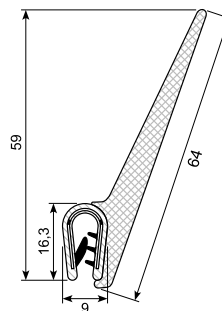
Edge trim: EPDM co-ex
Grip range: 1 - 2,5 mm
Hardness: SH 70 / density 0,6
Insert: 31 x 0,5 mm steel unbroken

33.460-2F *



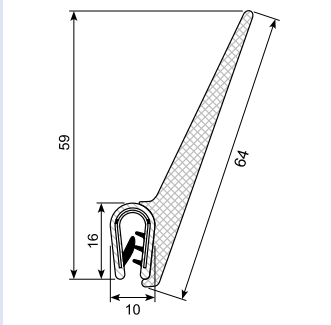
Edge trim: EPDM co-ex
Grip range: 1 - 2,5 mm
Hardness: SH 65 / density 0,6
Insert: 31 x 0,5 mm steel
Flame retardant NFF16-101
Min. order: 3.000 m

33.460-2X



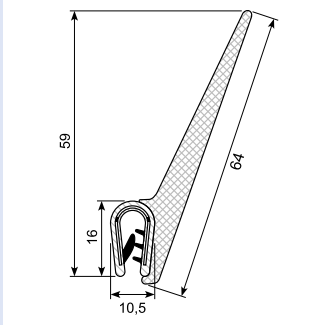
Edge trim: PVC+bi / sponge rubber
Grip range: 1 - 2,5 mm
Hardness: SH 78/57 / density 0,6
Insert: 31 x 0,5 mm steel

33.460-4X



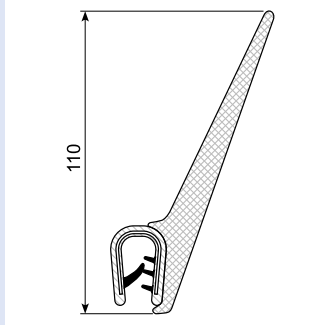
Edge trim: PVC+bi / sponge rubber
Grip range: 2 - 4 mm
Hardness: SH 78/57 / density 0,6
Insert: 31 x 0,5 mm steel

33.460-6X



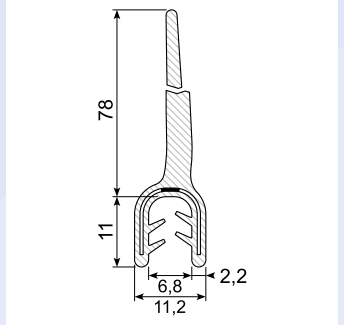
Edge trim: PVC+bi / sponge rubber
Grip range: 4 - 6 mm 25 m
Hardness: SH 78/57 / density 0,6
Insert: 31 x 0,5 mm steel

33.460-6XL



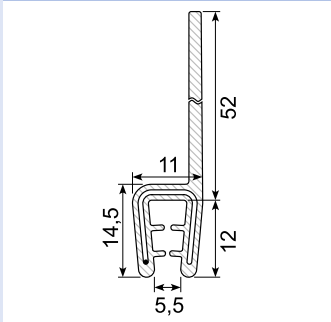
Edge trim: PVC bi/sponge rubber
Grip range: 3 - 6 mm
Hardness: SH 75/57 density 0,6
Insert: Steel

33.472



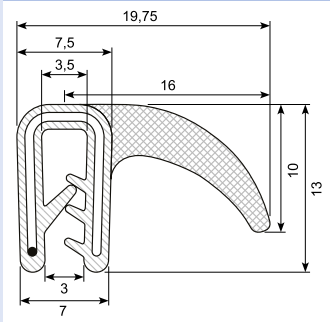
Edge trim: EPDM solid lip
Grip range: 2 - 4 mm
Hardness: SH 70
Insert: 29 x 0,5 mm unbroken

33.471



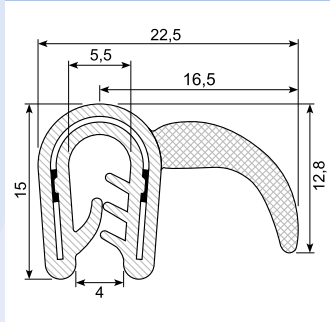
Edge trim: EPDM solid lip
Grip range: 3 - 4 mm
Hardness: SH 60 solid lip
Insert: 29 x 0,76 mm wire

33.443X



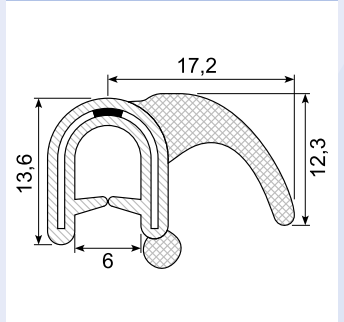
Edge trim: EPDM co-ex
Grip range: 1 - 2 mm
Hardness: SH 60 / density 0,6
Insert: Wire

33.383



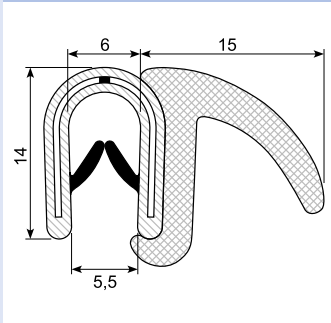
Edge trim: EPDM co-ex
Grip range: 2 - 4 mm
Hardness: SH 70 / density 0,6
Insert: 30 x 0,5 steel

33.474



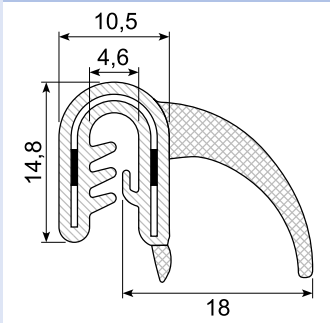
Edge trim: EPDM co-ex
Grip range: 2 - 5 mm
Hardness: SH 70 / density 0,6 - 0,85
Insert: 27 mm steel

33.439A



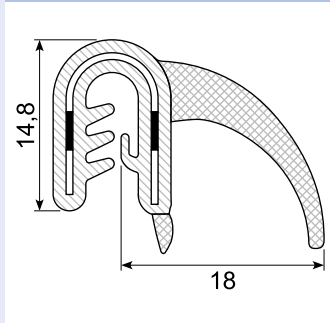
Edge trim: PVC+bi / sponge rubber
Grip range: 1 - 4 mm
Hardness: SH 78/57 / density 0,6
Insert: 26 x 0,5 mm steel
Yellow lips

33.026



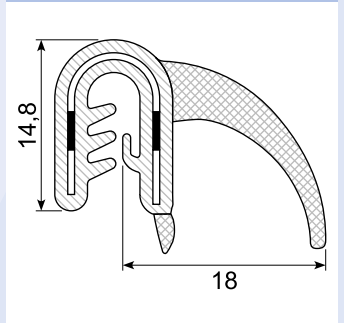
Edge trim: EPDM co-ex
Grip range: 1,5 - 2 mm (1 - 3,5 mm)
Hardness: SH 70 / density 0,55
Insert: 26 x 0,76 mm wire

33.026XA



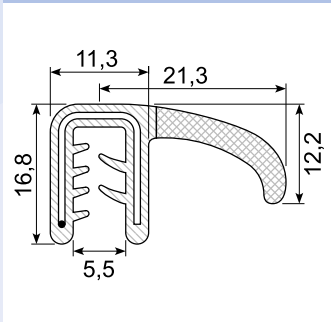
Edge trim: EPDM co-ex
Grip range: 2 - 3 mm
Hardness: SH 70 / density 0,55
Insert: 26 x 0,76 mm wire

33.026X



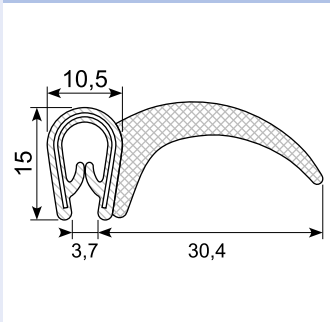
Edge trim: EPDM co-ex
Grip range: 3 - 4 mm
Hardness: SH 70 / density 0,55
Insert: 26 x 0,76 mm wire

33.436



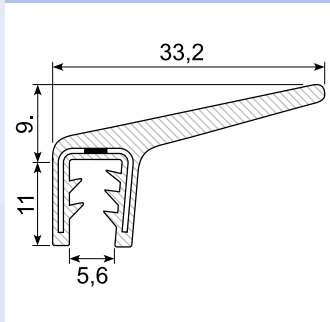
Edge trim: EPDM co-ex
Grip range: 2 - 4 mm
Hardness: SH 70 / density 0,6
Insert: 33 mm wire

33.442**



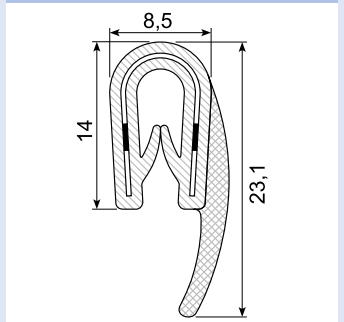
Edge trim: EPDM co-ex
Grip range: 1 - 3 mm
Hardness: SH 70 / density 0,65
Insert: 29 mm steel

33.473



Edge trim: EPDM co-ex
Grip range: 2 - 5 mm
Hardness: SH 70
Insert: 27 x 0,47 mm steel

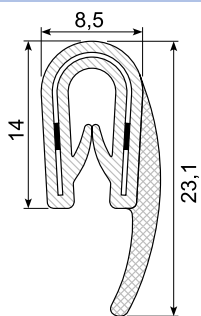
33.462



Edge trim: PVC / sponge rubber
Grip range: 1 - 2,5 mm
Hardness: SH 78/density 0,65 - 0,75
Insert: 25 x 0,48 mm steel

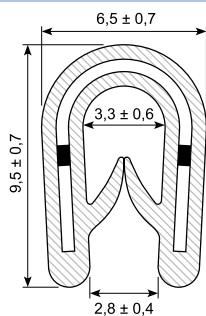
Kantlister / Edge trims

33.462R



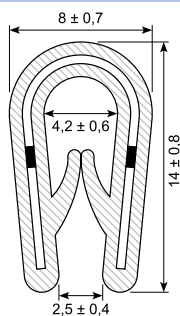
Edge trim: PVC / sponge rubber
 Grip range: 1 - 2,5 mm
 Hardness: SH 78/density 0,65 - 0,75
 Insert: 25 x 0,48 mm
 stainless steel

33.409ALU



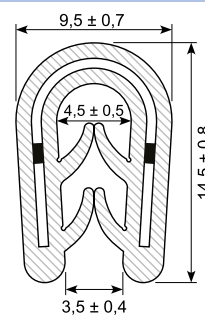
Edge trim: PVC black
 Grip range: 0,8 - 2 mm
 Hardness: SH 75
 Insert: 17,5 mm aluminium
 Min. order: 10.000 m

33.310ALU



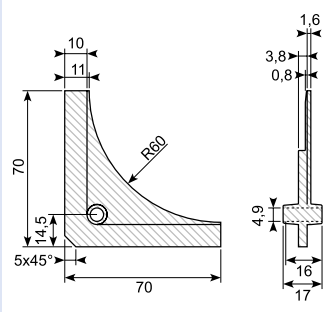
Edge trim: PVC black
 Grip range: 1 - 2,5 mm
 Hardness: SH 75
 Insert: 26 mm aluminium
 Min. order: 10.000 m

33.432ALU



Edge trim: EPDM
 Grip range: 2 - 4 mm
 Hardness: SH 65
 Insert: 26 mm aluminium
 Min. order: 10.000 m

33.000 *

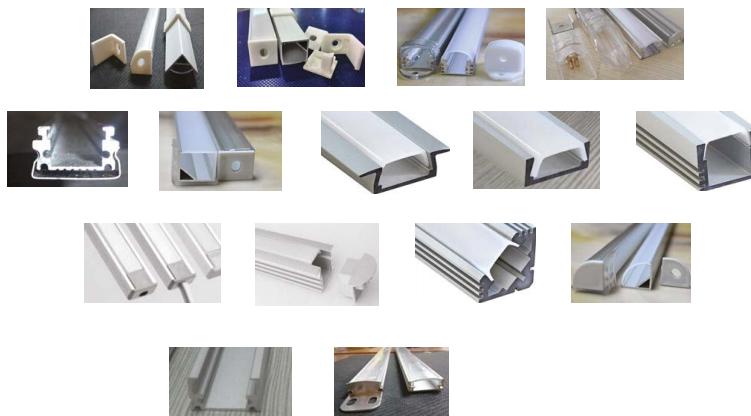
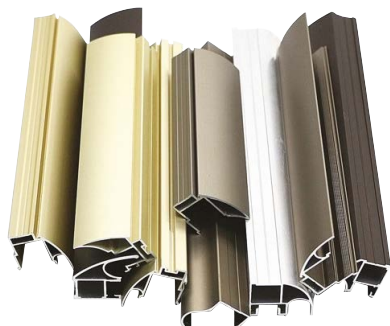
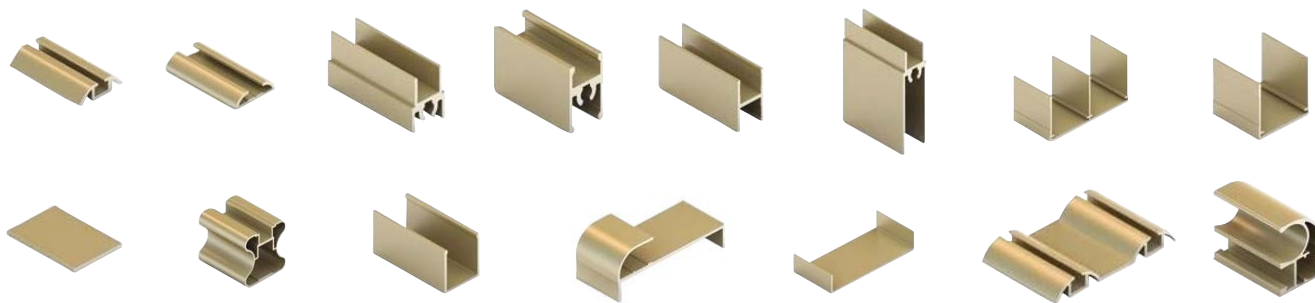


Nylon hjørnestykke
 PA6 + 30% GF
 Sikrer korrekt hjørneradius
 Min. order: 100

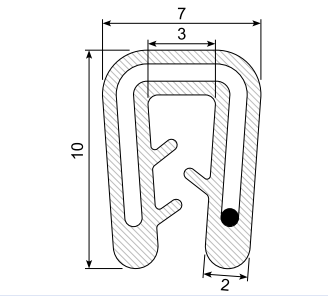
Alu-profiler / Alu profiles

Mangler du alu-profiler, kan vi skaffe dem i mange forskellige størrelser og former.

Are you looking for alu profiles? We can get a them in a lot of sizes and shapes.

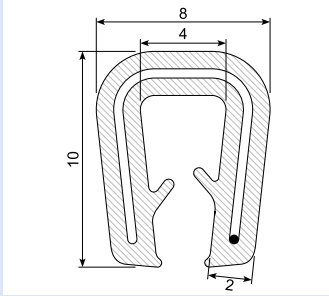


33.311



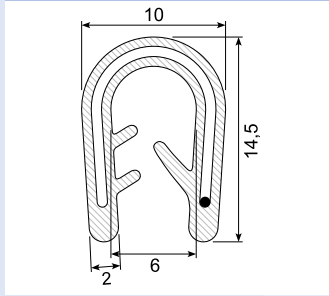
Edge trim: Silicone black
Grip range: 1 - 2 mm
Hardness: SH 60
Insert: Wire 18 x 0,76 mm. Stainless can be done, min. 500 m
Heat resistant 200° C
Silicone is FDA conform

33.510



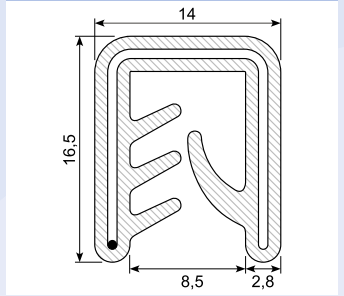
Edge trim: Silicone black
Grip range: 1 - 3 mm
Hardness: SH 60
Insert: Wire 26 x 0,76 mm. Stainless can be done, min. 500 m
Heat resistant 200° C
Silicone is FDA conform

33.312



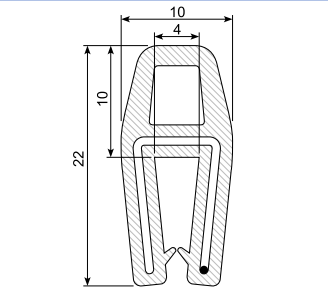
Edge trim: Silicone black
Grip range: 2 - 4 mm
Hardness: SH 60
Insert: Wire. Stainless can be done, min. 500 m
Heat resistant 200° C
Silicone is FDA conform

33.429



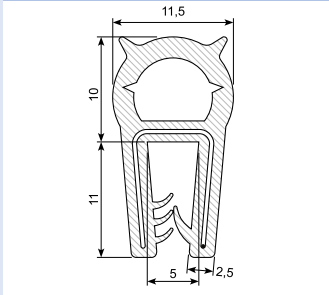
Edge trim: Silicone black
Grip range: 3 - 6 mm (5 - 7 mm)
Hardness: SH 60
Insert: Wire 39 x 0,76 mm. Stainless can be done, min. 500 m
Heat resistant 200° C
Silicone is FDA conform

33.511



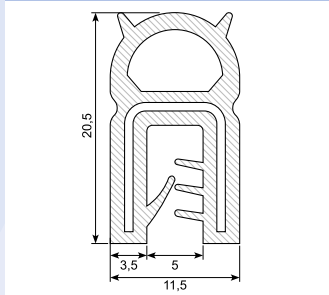
Edge trim: Silicone black
Grip range: 1,5 - 4 mm
Hardness: SH 50
Insert: Wire. Stainless can be done, min. 500 m
Heat resistant 200° C
Silicone is FDA conform

33.512



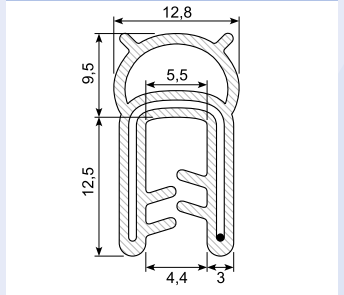
Edge trim: Silicone black
Grip range: 1 - 3,5 mm
Hardness: SH 50
Insert: Wire. Stainless can be done, min. 500 m
Heat resistant 200° C
Silicone is FDA conform

33.513



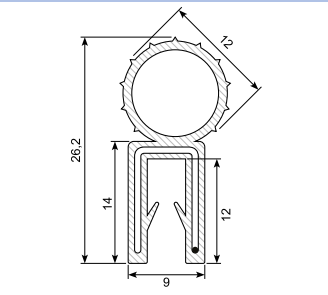
Edge trim: Silicone black
Grip range: 1,5 - 3,5 mm
Hardness: SH 50
Insert: Wire. Stainless can be done, min. 500 m
Heat resistant 200° C
Silicone is FDA conform

33.431A



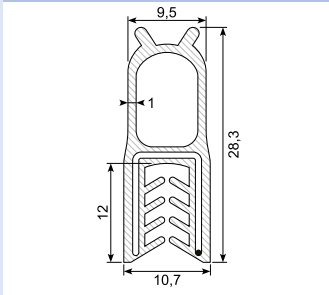
Edge trim: Silicone light grey RAL 7035
Grip range: 2 - 4 mm
Hardness: SH 60/60 Solid balloon
Insert: Wire. Stainless can be done, min. 500 m
Heat resistant 200° C.
Silicone is FDA conform

33.514



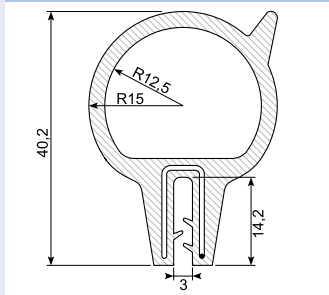
Edge trim: Silicone
Grip range: 1,5 - 3 mm
Hardness: SH 75
Insert: Wire. Stainless can be done, min. 500 m
Heat resistant 200° C
Silicone is FDA conform

33.515



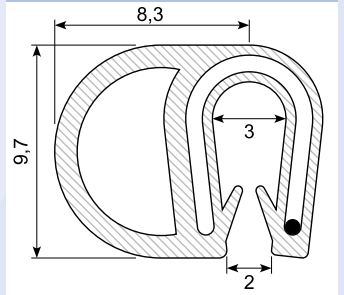
Edge trim: Silicone
Grip range: 1 - 2,5 mm
Hardness: SH 75
Insert: Wire. Stainless can be done, min. 500 m
Heat resistant 200° C
Silicone is FDA conform

33.516



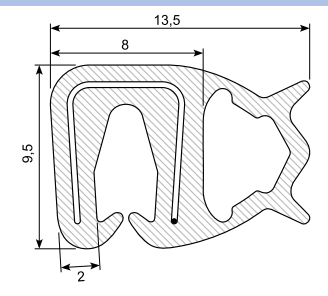
Edge trim: Silicone
Grip range: 2 - 3 mm
Hardness: SH 75
Insert: Wire. Stainless can be done, min. 500 m
Heat resistant 200° C
Silicone is FDA conform

33.517



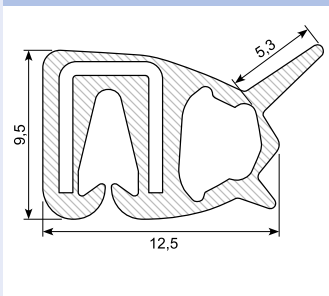
Edge trim: Silicone
Grip range: 2 - 3 mm
Hardness: SH 50
Insert: Wire. Stainless can be done, min. 500 m
Heat resistant 200° C
Silicone is FDA conform

33.518*



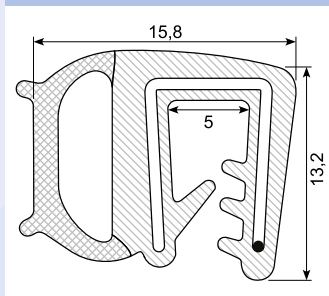
Edge trim: Silicone white
Grip range: 1,5 - 2,5 mm
Hardness: SH 60
Insert: Wire. Stainless can be done, min. 500 m
Heat resistant 200° C
Silicone is FDA conform
Min. order: 500 m

33.519



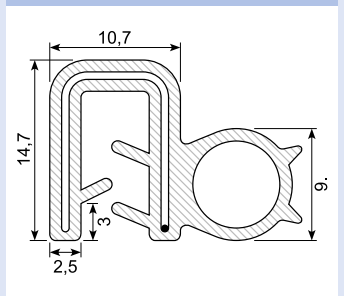
Edge trim: Silicone
Grip range: 1 - 2 mm
Hardness: SH 45
Insert: Wire. Stainless can be done, min. 500 m
Heat resistant 200° C
Silicone is FDA conform

33.520*



Edge trim: Silicone co-ex
Color: Black and redbrown
Grip range: 1,5 - 3 mm
Hardness: SH 60 / density 0,4
Insert: Wire. Stainless can be done, min. 500 m
Heat resistant 200° C
Min. order: 500 m

33.521

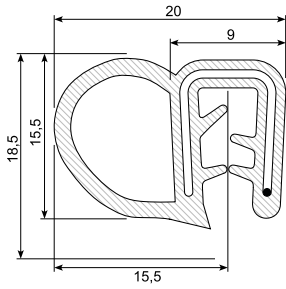


Edge trim: Silicone
Grip range: 1,5 - 4,5 mm
Hardness: SH 75
Insert: Wire. Stainless can be done, min. 500 m
Heat resistant 200° C
Silicone is FDA conform

* Skaffevare / Special order item

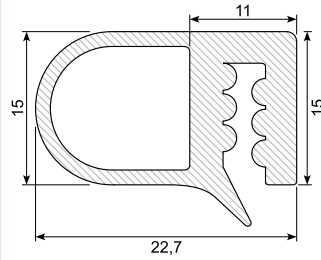
Silikonekantlister / Silicone edge trims

33.522 *



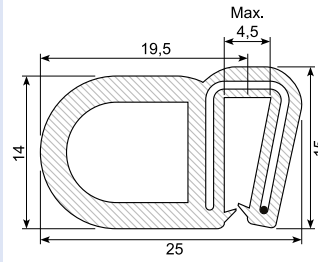
Edge trim: Silicone
 Grip range: 1 - 2,5 mm
 Insert: Wire. Stainless can be done, min. 500 m
 Heat resistant 200° C
 Silicone is FDA conform
 Min. order: 2.000 m

33.523 *



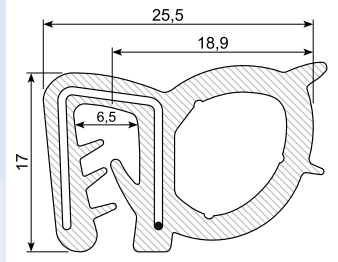
Edge trim: Silicone
 Grip range: 1,5 - 2,5 mm
 Hardness: SH 60
 Insert: Wire. Stainless can be done, min. 500 m
 Heat resistant 200° C
 Silicone is FDA conform
 Min. order: 500 m

33.524



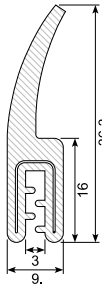
Edge trim: Silicone
 Grip range: 2 - 4 mm
 Hardness: SH 50
 Insert: Wire. Stainless can be done, min. 500 m
 Heat resistant 200° C
 Silicone is FDA conform

33.525



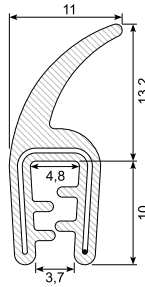
Edge trim: Silicone
 Grip range: 3 - 6 mm
 Hardness: SH 50
 Insert: Wire. Stainless can be done, min. 500 m
 Heat resistant 200° C
 Silicone is FDA conform

33.526 *



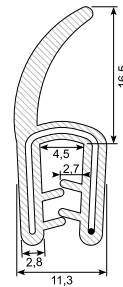
Edge trim: Silicone
 Grip range: 1 - 2,5 mm
 Hardness: SH 65
 Insert: Wire. Stainless can be done, min. 500m
 Heat resistant 200° C
 Silicone is FDA conform

33.527



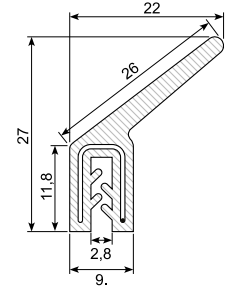
Edge trim: Silicone
 Grip range: 1 - 2,5 mm
 Hardness: SH 65
 Insert: Wire. Stainless can be done, min. 500m
 Heat resistant 200° C
 Silicone is FDA conform

33.528



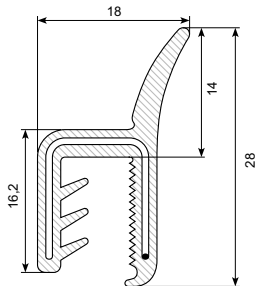
Edge trim: Silicone
 Grip range: 1 - 3 mm
 Hardness: SH 60
 Insert: Wire. Stainless can be done, min. 500m
 Heat resistant 200° C
 Silicone is FDA conform

33.529 *



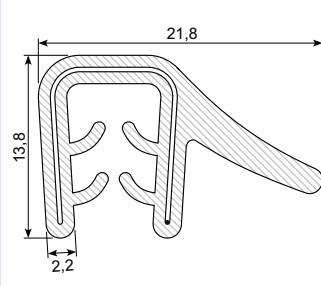
Edge trim: Silicone
 Grip range: 1 - 1,5 mm
 Hardness: SH 80
 Insert: Wire. Stainless can be done, min. 500 m
 Heat resistant 200° C
 Silicone is FDA conform
 Min. order: 500 m

33.530



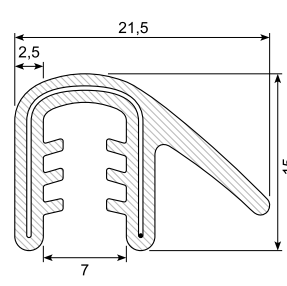
Edge trim: Silicone
 Grip range: 3,5 - 5 mm
 Hardness: SH 70
 Insert: Wire. Stainless can be done, min. 500 m
 Heat resistant 200° C
 Silicone is FDA conform

33.531 *



Edge trim: Silicone
 Grip range: 2,5 - 5,5 mm
 Hardness: SH 70
 Insert: Wire. Stainless can be done, min. 500 m
 Heat resistant 200° C
 Silicone is FDA conform
 Min. order: 100 m

33.532

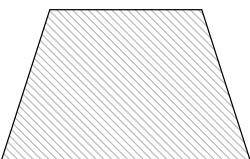
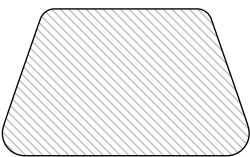
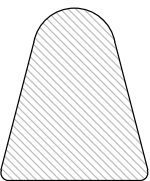
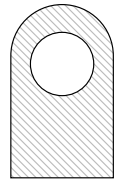
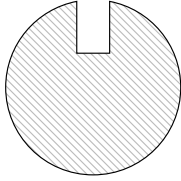
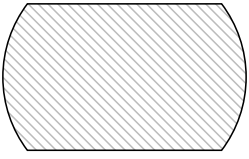
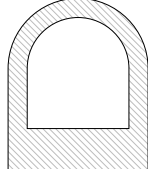
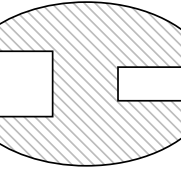
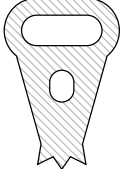


Edge trim: Silicone
 Grip range: 5,5 - 6,5 mm
 Hardness: SH 65
 Insert: Wire. Stainless can be done, min. 500 m
 Heat resistant 200° C
 Silicone is FDA conform

Silikoneskaffeprofiler / Silicone order profiles

Hent kataloget med silikoneskaffeprofiler på vores hjemmeside. bibus-sindby.dk

Download the catalog with silicone order profiles on our homepage. bibus-sindby.dk

Group 0010 	Group 0021 	Group 0023 	Group 0107 	Group 0030 
Group 0011 	Group 0175 	Group 0201 	Group 0106 	Group 0120 
Group 0012 	Group 0022 	Group 0024 	Group 0209 	Group 0124 
Group 0020 	Group 0101 	Group 0025 	Group 0111 	Group 0126 
Group 0121 	Group 0100 	Group 0109 	Group 0110 	Group 0125 
Group 0139 	Group 0108 	Group 0153 	Group 0112 	Group 0160 
Group 0150 	Group 0186 	Group 0169 	Group 0192 	Group 0159 
Group 0178 	Group 0113 	Group 0208 	Group 0214 	Group 0119 

Silikoneskaffeprofiler / Silicone order profiles

Group 0102 	Group 0104 	Group 0129 	Group 0127 	Group 0171
Group 0517 	Group 0145 	Group 0130 	Group 0191 	Group 0516
Group 0102A 	Group 0179 	Group 0131 	Group 0206 	Group 0144
Group 0103 	Group 0105 	Group 0132 	Group 0134 	Group 0194
Group 0103A 	Group 0172 	Group 0133 	Group 0211 	Group 0147
Group 0146 	Group 0188 	Group 0181 	Group 0167 	Group 0128
Group 0199 	Group 0158 	Group 0170 	Group 0140 	Group 0137
Group 0155 	Group 0141 	Group 0207 	Group 0508 	Group 0148

Silikoneskaffeprofiler / Silicone order profiles

Group 0122 	Group 0176 	Group 0177 	Group 0143 	Group 0164
Group 0123 	Group 0197 	Group 0165 	Group 0117 	Group 0166
Group 0157 	Group 0173 	Group 0182 	Group 0187 	Group 0138
Group 0151 	Group 0189 	Group 0190 	Group 0115 	Group 0196
Group 0200 	Group 0152 	Group 0215 	Group 0210 	Group 0205
Group 0180 	Group 0168 	Group 0198 	Group 0213 	Group 0163
Group 0156 			Group 0142 	Group 0154
				Group 0512

Silikonesskaffeprofiler / Silicone order profiles

Group 0193 	Group 0183 	Group 0202 	Group 0116 	Group 0510 
Group 0193 	Group 0514 	Group 0195 	Group 0501 	
Group 0174 	Group 0507 	Group 0203 	Group 0502 	
Group 0184 		Group 0212 	Group 0503 	
Group 0184 	Group 0118 	Group 0185 	Group 0504 	
Group 0513 	Group 0161 	Group 0204 	Group 0505 	
Group 0136 	Group 0515 	Group 0511 	Group 0506 	
Group 0135 			Group 0509 	

POM-profiler / POM edge trims

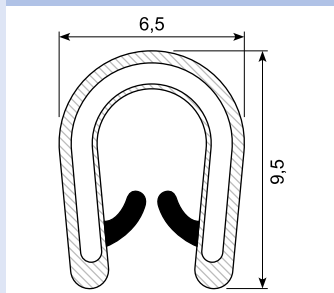
POM-profiler

- En meget mere fleksibel opbygning med dets hukommelseffekt
- POM-profiler vejer meget mindre end profiler med metal indlæg
- POM-profiler kan ikke ruste eller oxidere
- Fremstillingen af POM-profiler er meget nemmere end profiler med metal indlæg
- Større sikkerhed ved montering. Man undgår rifter fra skarpe metalstykker
- POM-indlæg er ikke ledende som metal og kan derfor anvendes til beskyttelse eller overflade materiale

POM-profiles

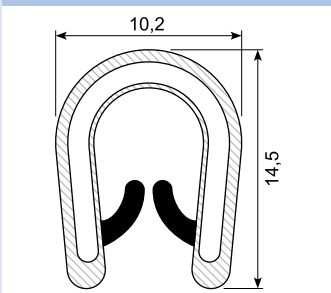
- A much more flexible structure with its memory effect
- POM-supported profiles is much lighter than metal-based profiles
- Over time, no metallic corrosion and oxidize
- Processing of manufacturing for POM-backed profiles is much easier than metal-backed profiles
- During installation does not damage human health such as sinking or cutting
- POM is not conductive support material, such as metal supports therefore wherever used in protection and coating material

33.409POMX



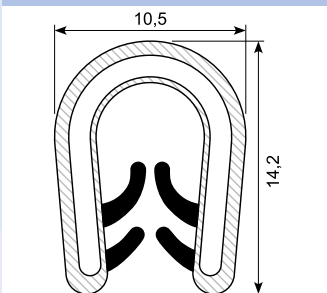
Edge trim: PVC + bi
Grip range: 0,8 - 2 mm
Hardness: SH 75 / 65
Insert: **POM plastic**
No rust. Easy cutting.

33.308POMX



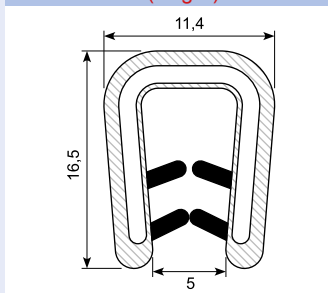
Edge trim: PVC + bi
Grip range: 1 - 4 mm
Hardness: SH 75 / 65
Insert: **POM plastic**
No rust. Easy cutting.

33.200POMX**



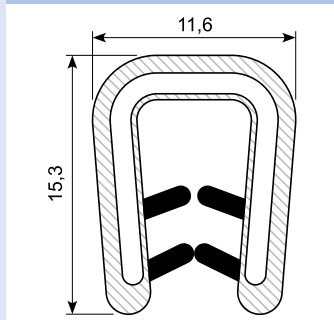
Edge trim: PVC + bi
Grip range: 1,5 - 4 mm
Hardness: SH 75 / 65
Insert: **POM plastic**
No rust. Easy cutting.
33.308POMXG: Grey

33.201POM (Udgår)



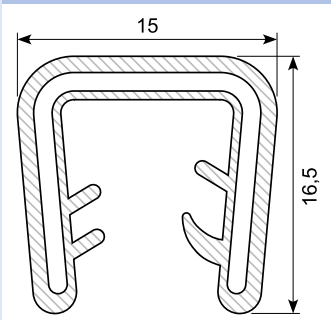
Edge trim: PVC + bi
Grip range: 2 - 4 mm
Hardness: SH 75 / 65
Insert: **POM plastic**
No rust. Easy cutting.

33.201POMX



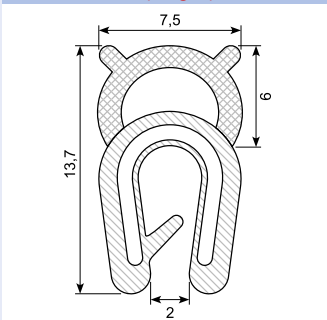
Edge trim: PVC + bi
Grip range: 2,5 - 5 mm
Hardness: SH 75 / 65
Insert: **POM plastic**
No rust. Easy cutting.

33.203POMX



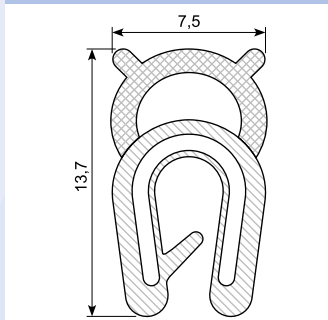
Edge trim: PVC + bi
Grip range: 5 - 8 mm
Hardness: SH 75 / 65
Insert: **POM plastic**
No rust. Easy cutting.

33.210POM (Udgår)



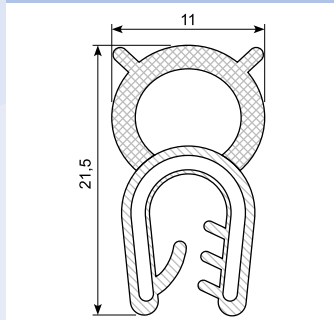
Edge trim: TPE co-ex
Grip range: 1 - 2 mm
Hardness: SH 75 / density 0,65
Insert: **POM plastic**
No rust. Easy cutting.

33.210POMX



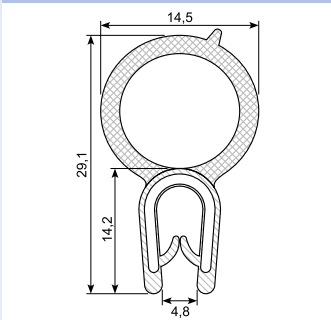
Edge trim: TPE co-ex
Grip range: 1 - 2 mm
Hardness: SH 75 / density 0,65
Insert: **POM plastic**
No rust. Easy cutting.

33.211POMX



Edge trim: TPE co-ex
Grip range: 1,5 - 4 mm
Hardness: SH 75 / density 0,65
Insert: **POM plastic**
No rust easy cutting

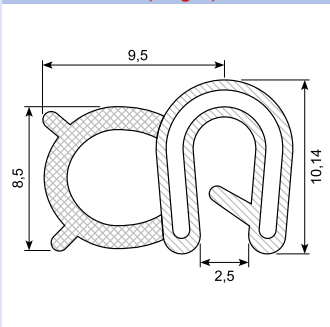
33.212POM (Udgår)



Edge trim: TPE co-ex
Grip range: 2 - 4 mm
Hardness: SH 75 / density 0,65
Insert: **POM plastic**
No rust easy cutting

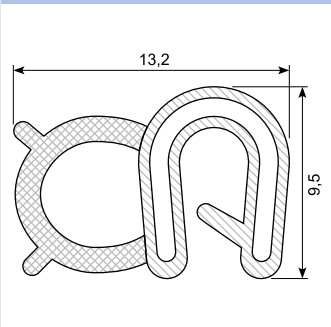
POM-profiler / POM edge trims

33.213POM (Udgår)



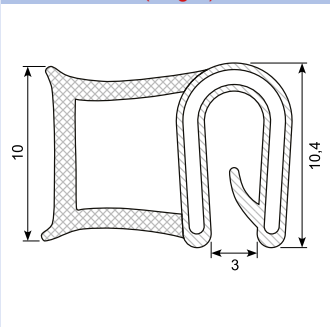
Edge trim: TPE co-ex
Grip range: 1 - 2 mm
Hardness: SH 75 / density 0,65
Insert: **POM plastic**
No rust easy cutting

33.213POMX



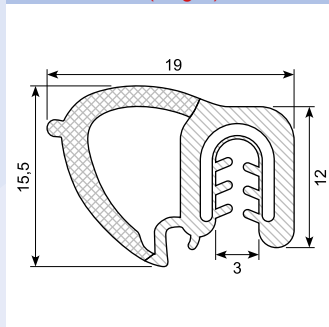
Edge trim: TPE co-ex
Grip range: 1 - 2 mm
Hardness: SH 75 / density 0,65
Insert: **POM plastic**
No rust easy cutting

33.214POM (Udgår)



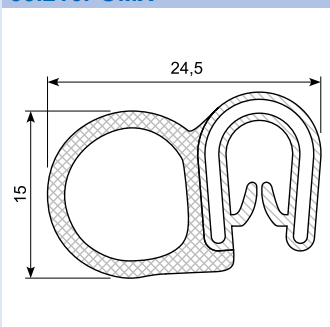
Edge trim: TPE co-ex
Grip range: 1 - 2 mm
Hardness: SH 75 / density 0,65
Insert: **POM plastic**
No rust easy cutting

33.215POM (Udgår)



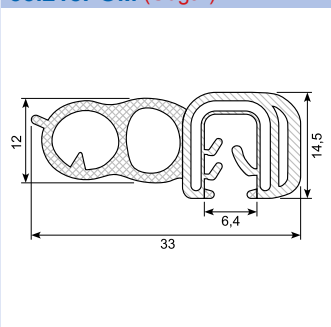
Edge trim: TPE co-ex
Grip range: 1 - 2 mm
Hardness: SH 75 / density 0,65
Insert: **POM plastic**
No rust easy cutting

33.216POMX



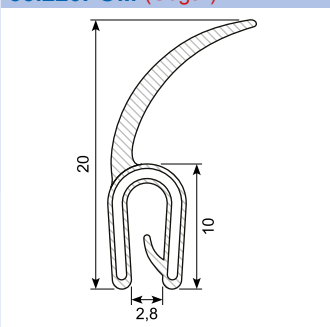
Edge trim: TPE co-ex
Grip range: 1,5 - 4 mm
Hardness: SH 75 / density 0,65
Insert: **POM plastic**
No rust easy cutting

33.218POM (Udgår)



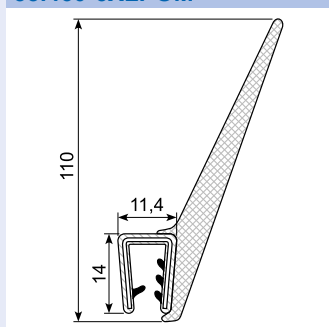
Edge trim: TPE co-ex
Grip range: 3 - 5 mm
Hardness: SH 75 / density 0,65
Insert: **POM plastic**
No rust easy cutting

33.220POM (Udgår)



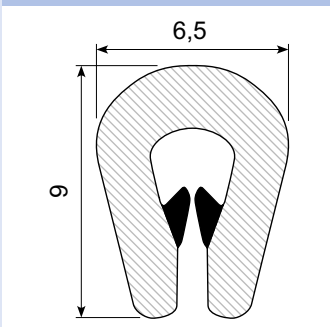
Edge trim: TPE
Grip range: 1 - 2 mm
Hardness: SH 75 / density 0,65
Insert: **POM plastic**
No rust easy cutting

33.460-6XLPOM



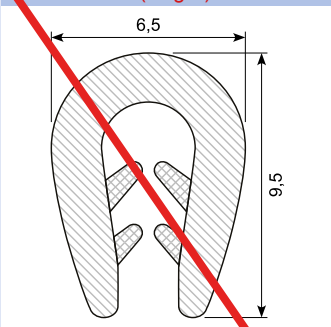
Edge trim: PVC bi/sponge rubber
Grip range: 2,5 - 5 mm
Hardness: SH 75/57 density 0,6
Insert: **POM plastic**
No rust. Easy cutting.

33.424 * **



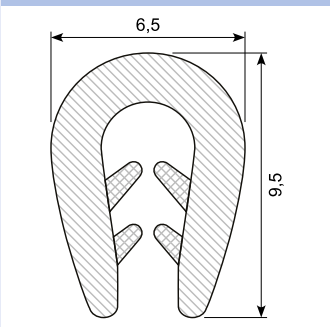
Edge trim: TPE + bi
Grip range: 0,8 - 2,5 mm
Hardness: SH 87 / 65 - 70
Insert: **None**
Alternative **33.424TPEX**

~~**33.424TPE (Udgår)**~~



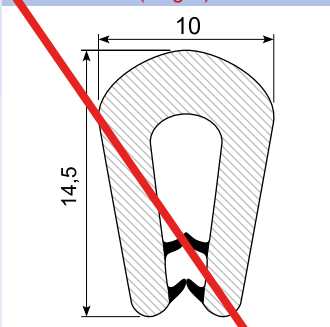
~~Edge trim: TPE + bi
Grip range: 1 - 2 mm
Hardness: SH 90 / 50
Insert: **None**~~

33.424TPEX



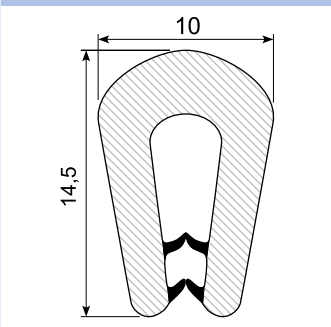
Edge trim: TPE + bi
Grip range: 1 - 2 mm
Hardness: SH 90 / 50
Insert: **None**

~~**33.417TPE (Udgår)**~~



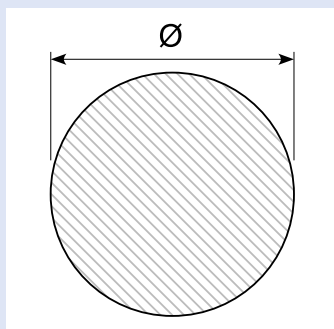
~~Edge trim: TPE + bi
Grip range: 1 - 4 mm
Hardness: SH 90 / 50
Insert: **None**~~

33.417TPEX



Edge trim: TPE + bi
Grip range: 1 - 4 mm
Hardness: SH 90 / 50
Insert: **None**

Gummisnor / Rubber cord profiles



EPDM black
Shore A 65 - 70

Art	Ø mm
30.101 *	1
30.101.25 *	1,25
30.101.5	1.5
30.102	2
30.102E	2 (single cord)
30.103E *	3
30.104E *	4
30.104.5E	4,5
30.105E	5
30.106E	6
30.107E *	7
30.108E	8
30.109E	9
30.110E *	10
30.112E *	12
30.113E	13
30.114E *	14
30.115E *	15
30.116E *	16
30.117E	17
30.118E	18
30.119E	19
30.120E	20
30.121E *	21
30.122E	22
30.124E	24
30.125E *	25
30.135E	35 (SH 75)

CR black
Shore A 60

Art	Ø mm
30.103CR *	3
30.103.5CR *	3,5
30.104CR	4
30.104.5CR *	4,5
30.105CR *	5
30.105.3CR *	5,3
30.105.7CR *	5,7
30.106CR *	6
30.106.5CR *	6,5
30.107CR *	7
30.107.5CR *	7,5
30.108CR *	8
30.108.4CR *	8,4
30.109CR *	9
30.109.5CR *	9,5
30.110CR *	10
30.111CR *	11
30.112CR *	12
30.113CR *	13
30.114CR *	14
30.115CR *	15
30.116CR *	16
30.118CR	18
30.120CR *	20
30.122CR *	22
30.125CR *	25
30.130CR *	30
30.132CR *	32
30.140CR *	40

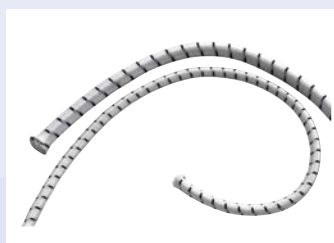
NBR black
Shore A 65

Art	Ø mm
30.103NBR	3
30.103.5NBR *	3,5
30.104NBR *	4
30.104.5NBR *	4,5
30.105NBR	5
30.105.3NBR *	5,3
30.105.7NBR *	5,7
30.106NBR *	6
30.106.5NBR *	6,5
30.107NBR *	7
30.107.5NBR *	7,5
30.108NBR *	8
30.108.4NBR *	8,4
30.109NBR *	9
30.109.5NBR *	9,5
30.110NBR *	10
30.111NBR *	11
30.112NBR *	12
30.113NBR *	13
30.114NBR *	14
30.116NBR *	16
30.118NBR *	18
30.120NBR *	20
30.122NBR *	22
30.125NBR *	25
30.130NBR *	30
30.132NBR *	32
30.135NBR *	35
30.140NBR *	40

Silicone white
Shore A 60

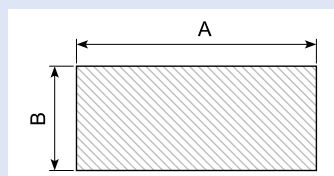
Art	Ø mm
30.103SIH *	3
30.104SIH *	4
30.105SIH *	5
30.106SIH *	6
30.108SIH	8
30.108SIHX	8

Elastiksnor / Rubber cord



Art.	Ø (mm)
50.260-4	4
50.260-5	5
50.260-6	6
50.260-8	8
50.260-10	10

Specialprofiler / Special profiles



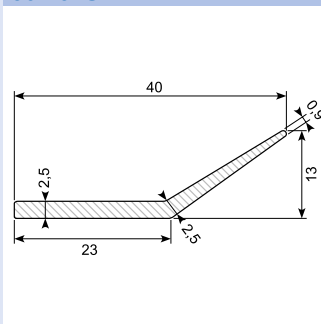
Material: EPDM

Flere størrelser kan skaffes. Find den komplette liste af firkant/retangulærprofiler på hjemmesiden.
Other sizes can be ordered. Find complete list on our homepage.

Art.	A (mm)	B (mm)	Hardness	Min. order (m)	Adhesive
30.1201KE *	12	1	SH 65	2.000	X
30.6502.5E *	65	2,5	SH 65	500	
30.3003E	30	3	SH 65		
30.5003E	50	3	SH 65		
30.5004E *	50	4	SH 60	600	
30.2005E *	20	5	SH 65	3.000	
30.2505E *	25	5	SH 65	3.000	
30.3305E *	33	5	SH 65	3.000	
30.5005E *	50	5	SH 65	2.000	
30.6705E *	67	5	SH 65	2.000	
30.7505E *	75	5	SH 65	1.500	
30.10005E *	100	5	SH 65	1.500	
30.15005E *	150	5	SH 65	1.000	
30.15005KE	150	5	SH 65		X
30.3006E *	30	6	SH 65	3.000	
30.5808E *	58	8	SH 65	1.500	
30.2310E *	23	10	SH 60	500	
30.3310E *	33	10	SH 65	2.000	
30.5010E *	50	10	SH 65	1.500	
30.6710E *	67	10	SH 65	1.000	
30.15005E *	100	10	SH 65	1.000	

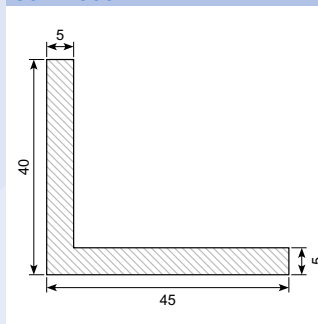
Other sizes can be obtained on request.

30.262S



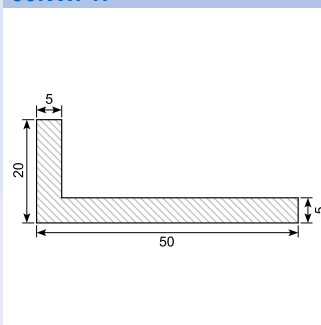
Material: EPDM black
Hardness: SH 65 - 75

30.WI660



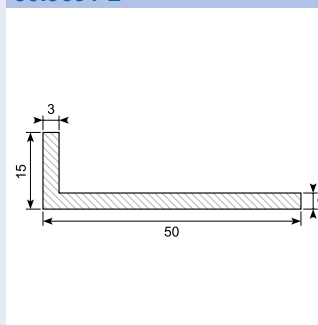
L-profil
Internal: 35 x 40 x 5 mm
External: 40 x 45 x 5 mm

30.WI747



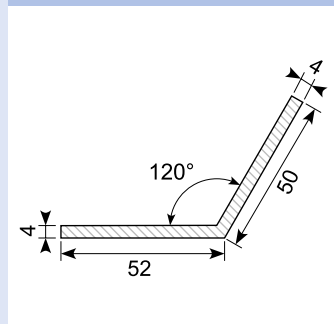
Material: EPDM
Hardness: SH 60

30.9691-2 *



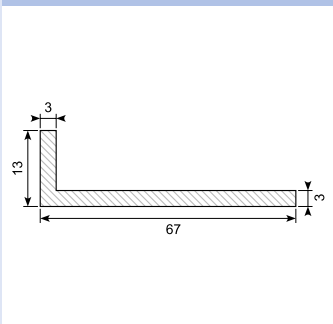
Material: EPDM white
Min. order: 504 m

30.7367



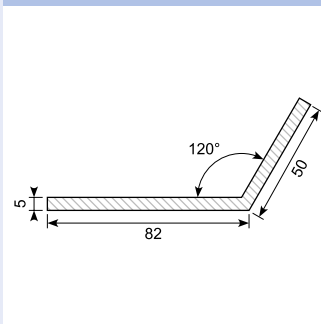
Material: CR black
Hardness: SH 65
Conditional oil resistant

30.9691-5 *



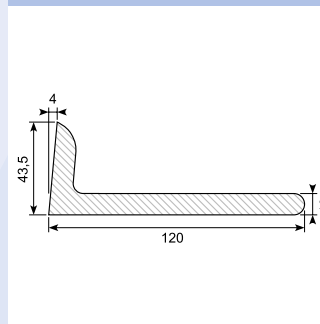
Material: EPDM white
Hardness: SH 65
Min. order: 504 m

30.7696



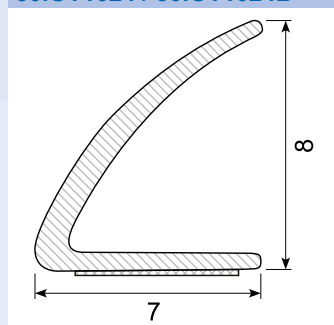
Material: CR black
Hardness: SH 65
Conditional oil resistant

30.12759



Material: EPDM black
Hardness: SH 60A

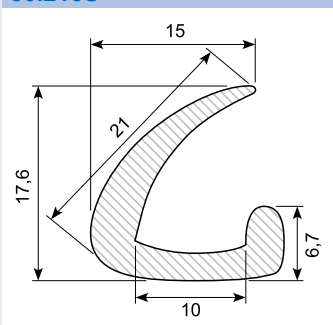
30.OT1024 / 30.OT1024B



Material: Silicone with adhesive
Hardness: SH 60
30.OT1024 white
30.OT1024B black
30.OT1024KPC transparent

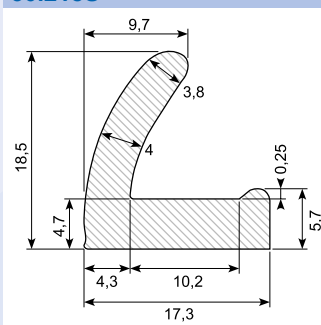
* Skaffevare / Special order item
00129-5-k201902 - SINDBY PROFILES 5

30.216S



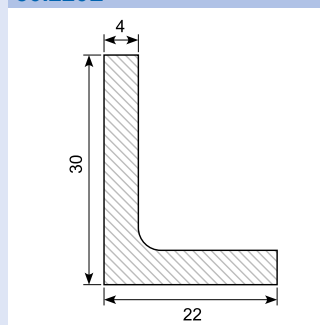
Material: EPDM black
Hardness: SH 65

30.218S



Material: EPDM black
Hardness: SH 75 - 81

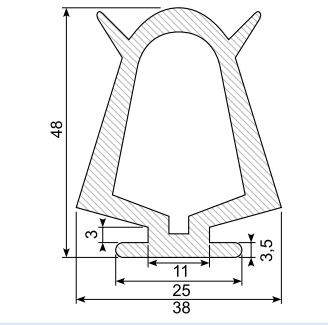
30.220L



Material: CR black
Hardness: SH 65
Length: 6,5 m
Conditional oil resistant

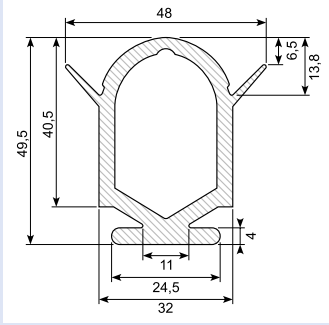
Specialprofiler / Special profiles

30.331



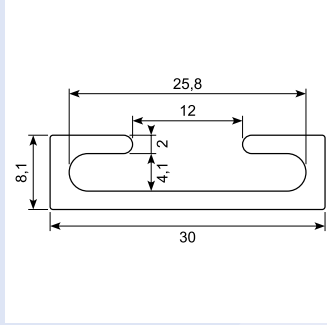
Material: EPDM black
Hardness: SH 70

30.9996-10



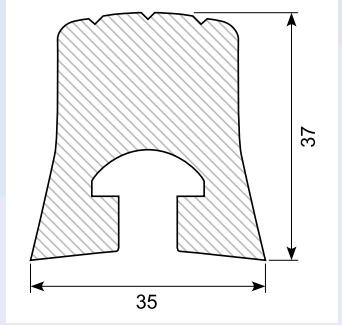
Material: EPDM
Hardness: SH 70

41.675A - 41.674A



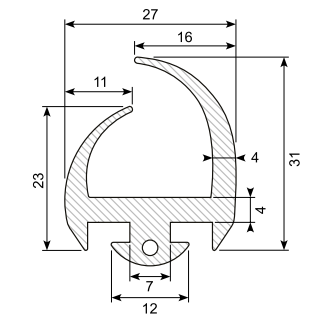
Material: Aluminium
41.675A: 5,2 m, untreated
41.674A: 5 m, anodized

39.1208P



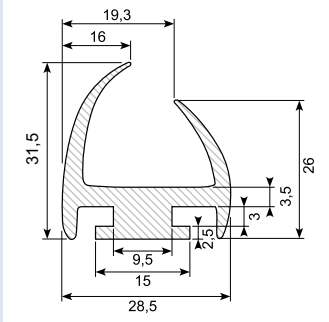
Fender profile with channel
Material: PE
Length: 3 m

30.12957-1



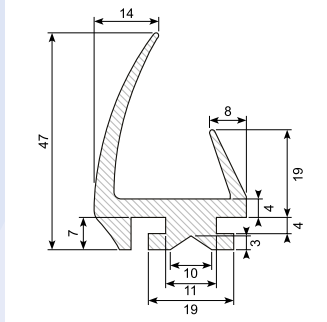
Material: EPDM
Hardness: SH 65
Length: 2,5 m

30.7933 **



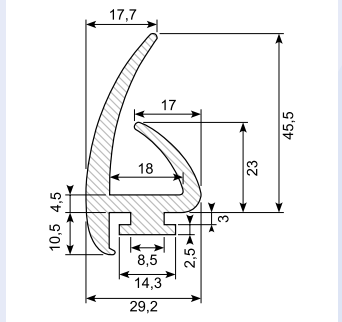
H-profile for aluminium rail
Material: EPDM
Hardness: SH 70

30.12957-2



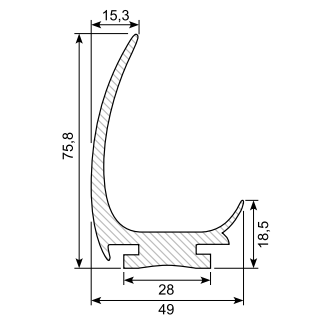
Material: EPDM
Hardness: SH 65
Length: 4,3 m

30.7932



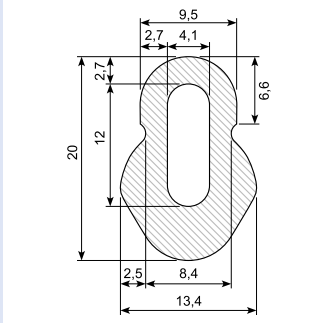
Rubber profile for alu. track
Material: EPDM
Hardness: SH 70

30.7935 *



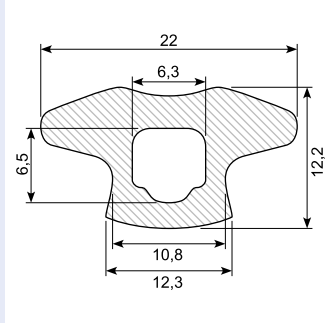
Material: EPDM black
Hardness: SH 65
Length: 2,8 m
Min. order: 22,4 m

30.7853X *



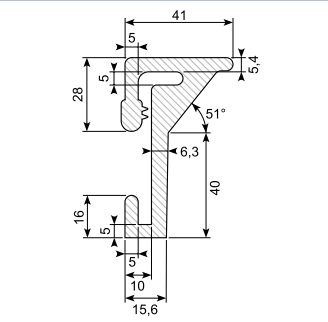
Material: EPDM black
Min. order: 800 m

30.7652



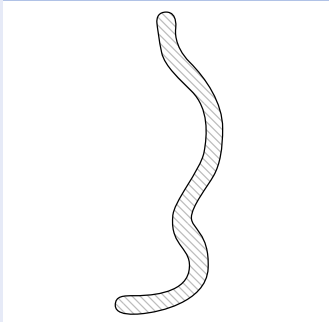
Rubber profile
Material: EPDM
Hardness: SH 65

30.333X



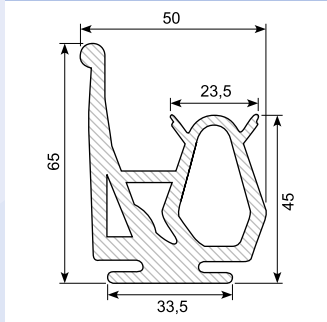
L-profile
Material: EPDM
Hardware: SH 70
Roll of 50 m

41.333S



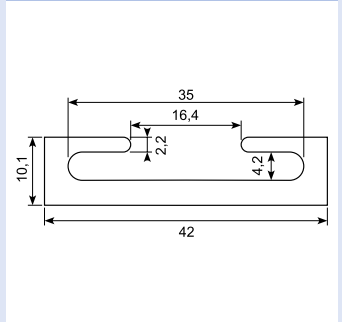
Steel profile for mounting of rubber profile 30.333
Length: 2,6 m

30.8469 *



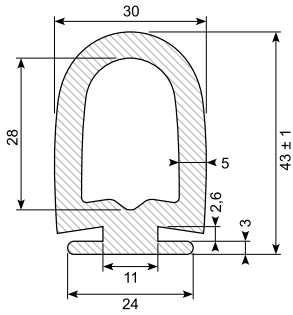
Rubber profile with drip cap
For loading tail board
Material: EPDM
Hardness: SH 67
Length: 8 m
Min. order: 80 m

41.678



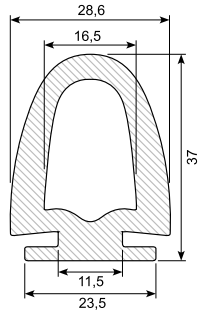
Alu c-profil 42 x 10 mm
Length 5,2 m
Fits to 30.8469

30.325X



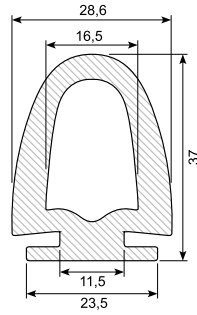
Material: EPDM black
Hardness: SH 65
Length: 5 m

30.324S



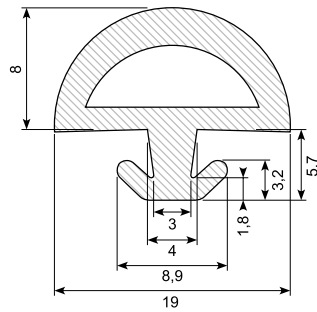
Material: EPDM black
Hardness: SH 65
Length: 5 m

30.324SB



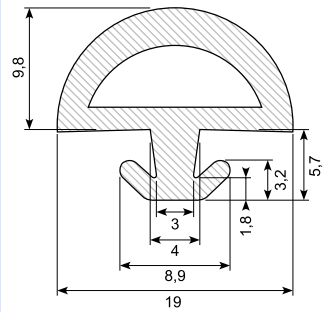
Material: EPDM black
Hardness: SH 45 (soft)
Length: 5 m

30.7649-8 *



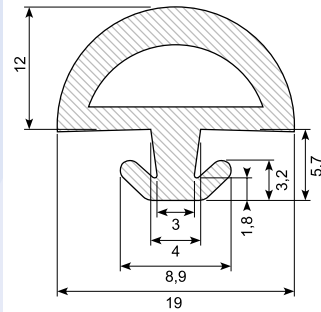
D-weatherstrip
Material: EPDM black
Hardness: SH 60
Min. order: 1.000 m

30.7649



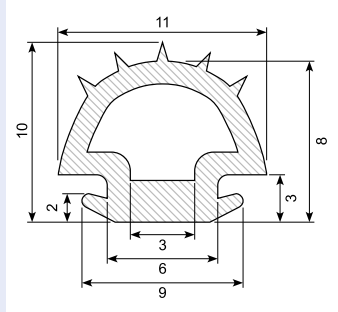
D-weatherstrip
Material: EPDM black
Hardness: SH 60

30.7649-12 *



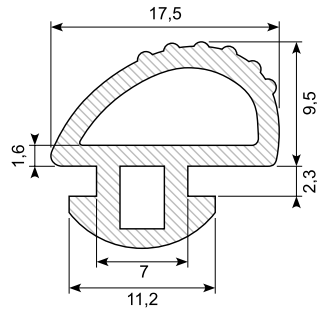
D-weatherstrip
Material: EPDM black
Hardness: SH 60
Min. order: 1.000 m

30.12957-3



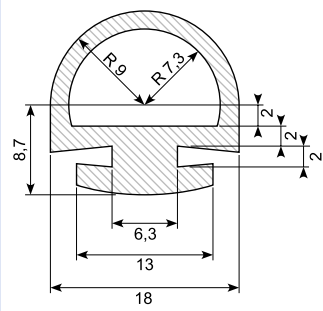
Material: EPDM
Hardness: SH 60

30.14098-2



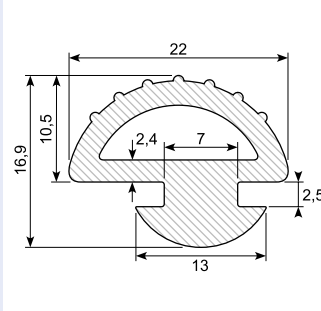
Material: EPDM
Hardness: SH 60A

30.9691-3



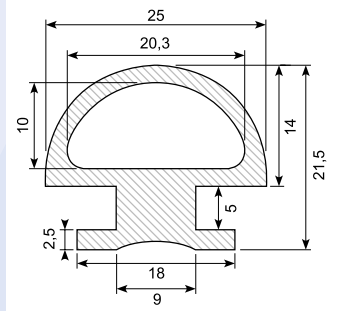
Material: EPDM black
Hardness: SH 65

30.7650



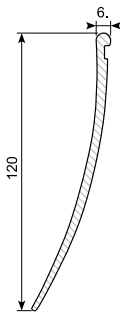
D-weatherstrip
Material: EPDM
Hardness: SH 70

30.5881



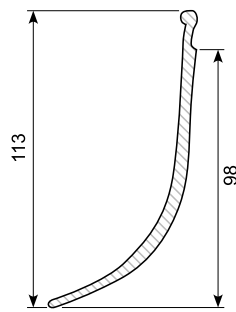
Material: CR black
Hardness: SH 65
Conditional oil resistant

30.2151 *



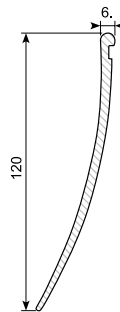
Skirt profile
Hardness: PVC white
Roll of 14 m
Min. order: 560 m

30.6648



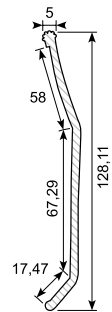
Skirt profile
Hardness: SH 75
30.6648: EPDM black
30.6648G: TPE grey
30.6648S: TPE black

30.2151S *



Material: PVC black
Hardness: SH 75 - 80
Min. order: 280 m

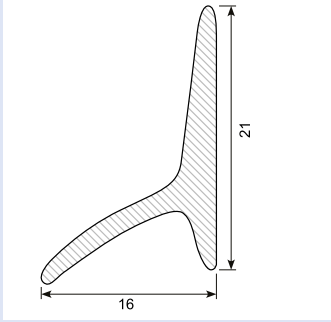
30.2566



Skirt profile
Material: PVC black
Hardness: SH 80
Height: 125 mm
Length: 1 m
Roll of 64 m

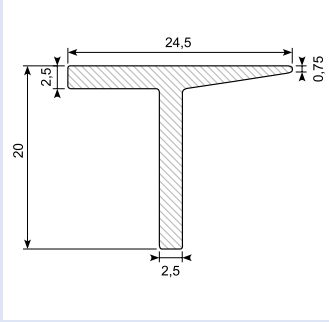
Specialprofiler / Special profiles

30.257S



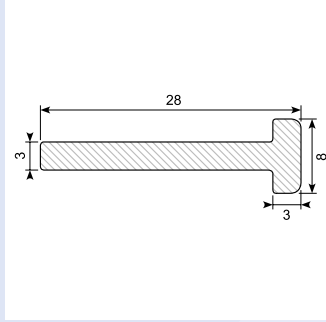
Material: EPDM black
Hardness: SH 65

30.258 *



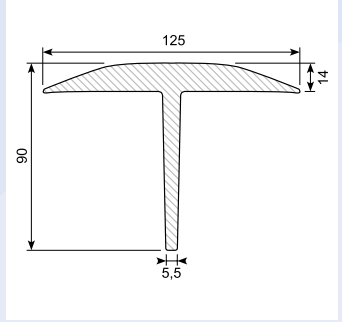
Material: EPDM black
Min. order: 1.000 m

30.5560 *



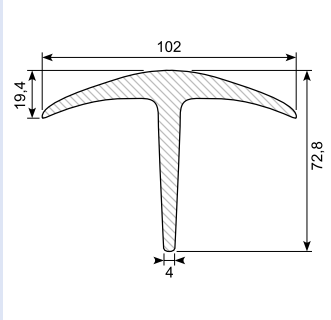
Material: EPDM black
Hardness: SH 65
Min. order: 450 m

30.7780/4



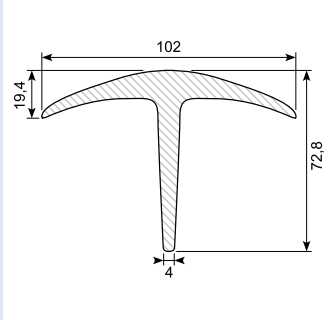
Material: EPDM black
Hardness: SH 65
Length: 4 m

30.7300 - 30.7300/4



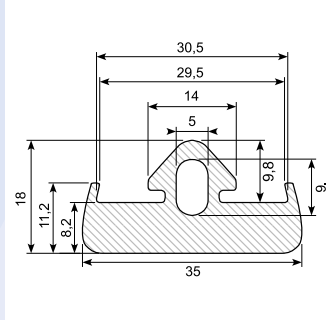
Material: EPDM black
Hardness: SH 65
Length 30.7300: 3 m
Length 30.7300/4: 4 m

30.7300/4Y *



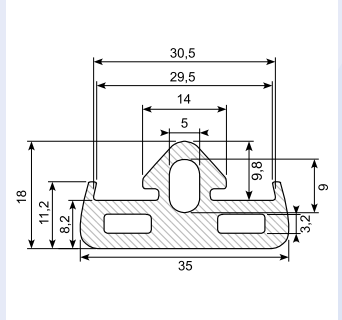
Material: EPDM yellow
Hardness: SH 65
Min. order: 64 m

30.6944 *



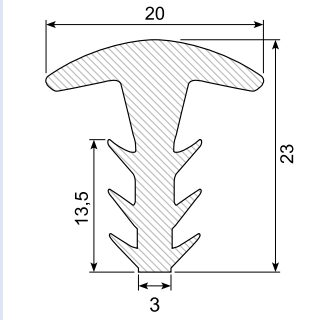
Material: EPDM black
Hardness: SH 65
Min. order: 200 m

30.5550M



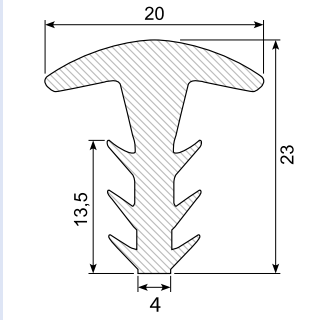
Material: EPDM black
Hardness: SH 65

30.2653 *



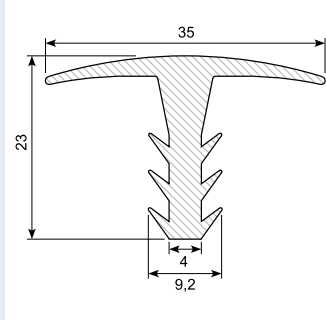
Material: EPDM black
Hardness: SH 65
Min. order: 1.000 m

30.5981



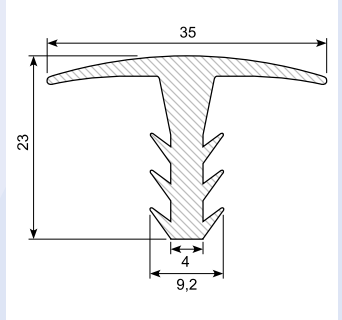
Material: EPDM black
Hardness: SH 65

30.8199



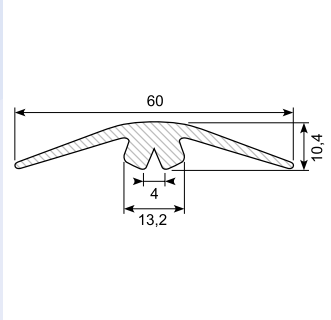
Material: EPDM black
Hardness: SH 65
Length: 4 m

30.8199W



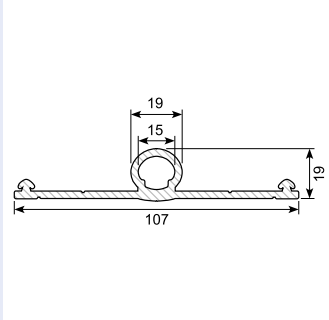
Material: EPDM white
Hardness: SH 65
Length: 4 m
Min. order: 223 m

30.6759



Material: EPDM black
Hardness: SH 65

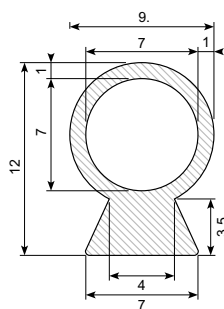
30.7770 *



Material: EPDM black
Hardness: SH 65
Min. order: 200 m

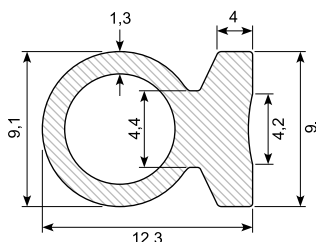
Specialprofiler / Special profiles

30.314S



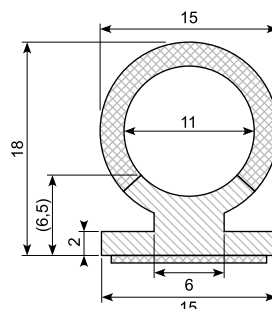
Rubber profile
Material: EPDM
Hardness: SH 60 / 65

30.7651



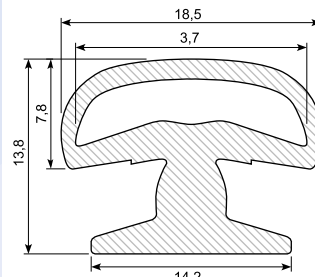
Balloon profile
Material: EPDM
Hardness: SH 65

30.313**



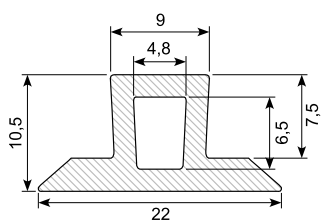
Co-ex profile
Material: EPDM / sponge rubber
With adhesive
Hardness: SH 80

30.7648



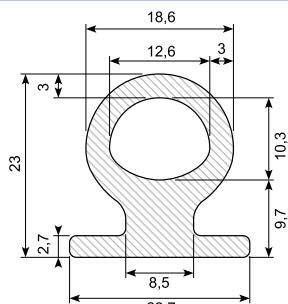
Material: EPDM black
Hardness: SH 65

30.7106* **



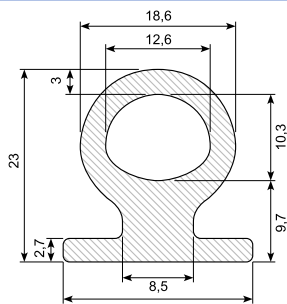
Material: EPDM, black
Hardness: SH 65
Min. order: 1.000 m

30.315S



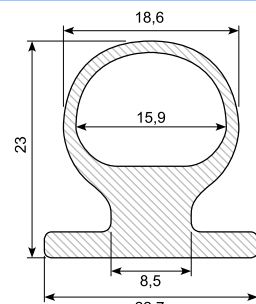
Material: EPDM black
Hardness: SH 65
Length: 10 m

30.315SB



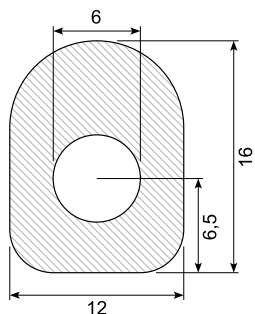
Material: EPDM black
Hardness: SH 45
Length: 10 m

30.7613*



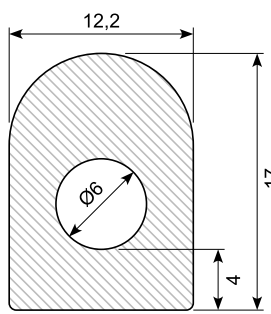
Material: EPDM black
Hardness: SH 60
Min. order: 500 m

30.50967*



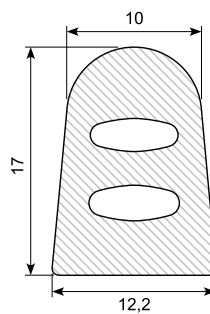
Material: NBR black
Hardness: SH 65
Min. order: 500 m
Oil resistant

30.13841



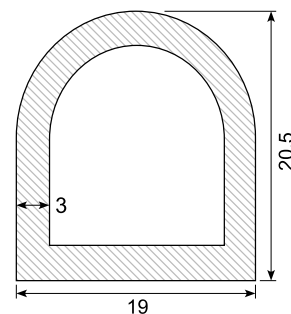
Material: NBR black
Hardness: SH 45A
Oil resistant

30.14053



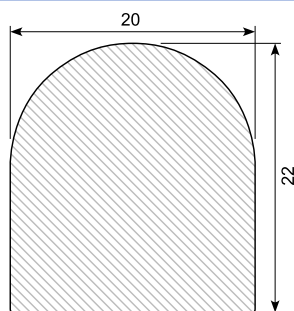
Material: NBR black
Hardness: SH 50A
Oil resistant

30.OT3354



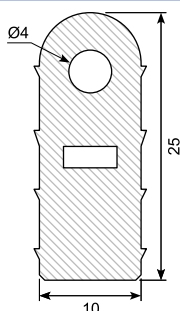
Material: Silicone white
Hardness: SH 60

30.7645*



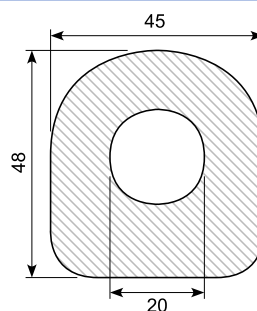
Material: EPDM black
Hardness: SH 45
Min. order: 50 m

30.13421



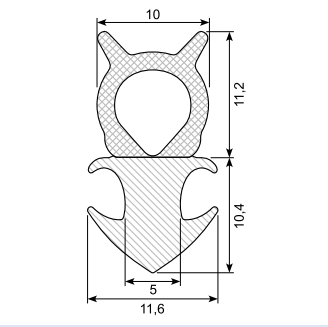
Material: EPDM
Hardness: SH 65

30.7559



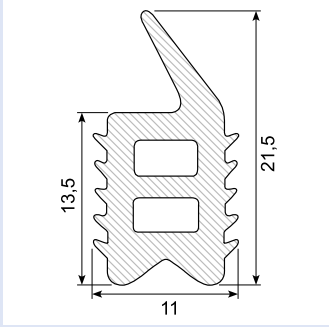
Material: NBR black
Hardness: SH 60
Oil resistant

30.14130



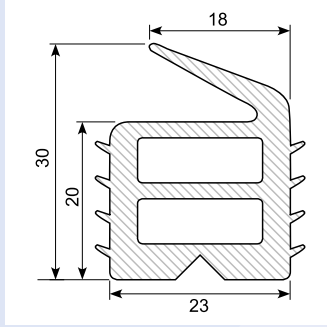
Co-ex profile
Material: EPDM
Hardness: SH 70 / density 85-95

30.190



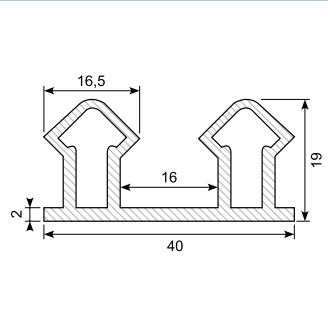
Material: PVC
Hardness: SH 57

30.8270 *



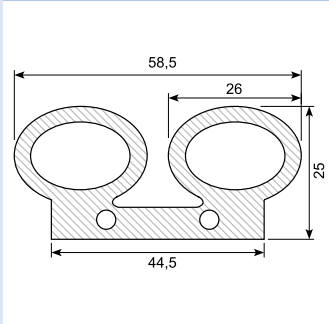
Material: EPDM black
Hardness: SH 57
Min. order: 150 m

30.OT1387 *



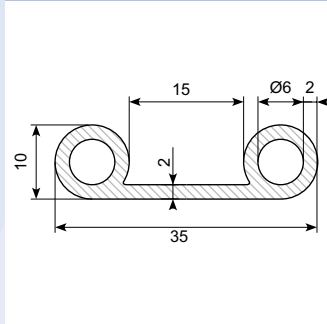
Material: Silicone
Hardness: SH 60
Colour: Grey
Min. order: 40 m

30.OT3272 *



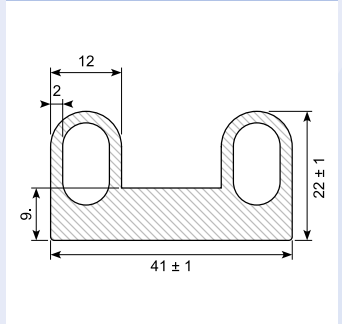
Material: Silicone
Hardness: SH 60
Colour: Blue
Min. order: 50 m

30.1428 **



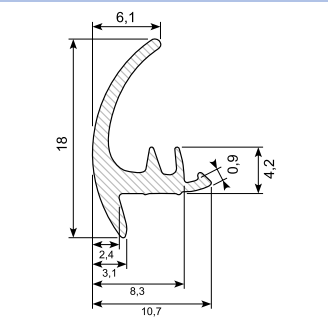
Material: Silicone
Hardness: SH 60
Colour: Red/brown

30.15170



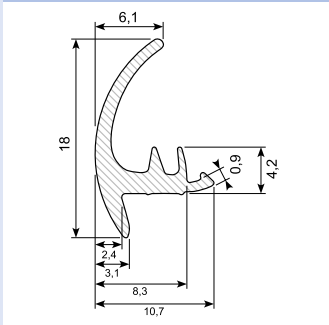
Material: PVC black
Hardness: SH 72

32.8518



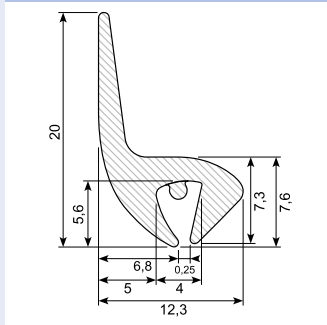
End-stop profile
Material: EPDM
Hardness: SH 65
Roll of 50 m

32.8518W *



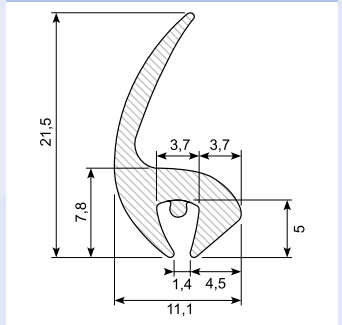
Material: EPDM
Hardness: SH 60
Colour: White, RAL 9003
Min. order: 1.500 m

32.8516



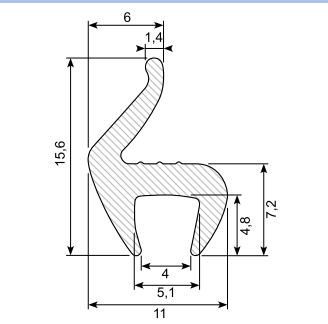
End-stop profile
Material: EPDM
Hardness: SH 65
Roll of 50 m

32.8517



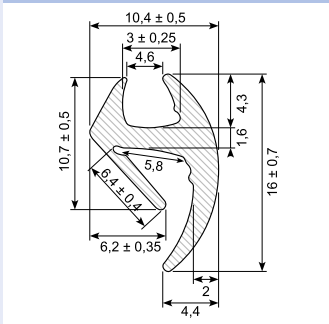
End-stop profile
Material: EPDM
Hardness: SH 65
Roll of 50 m

32.8520



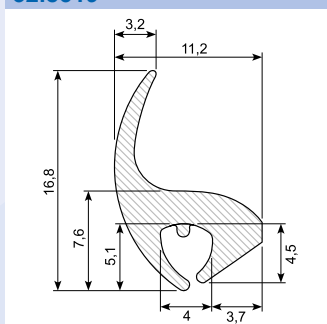
Universal end-stop profile
Material: EPDM
Hardness: SH 65
Roll of 50 m

31.369



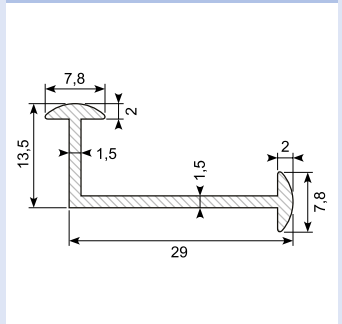
End-stop profile
Material: EPDM black
Hardness: SH 65

32.8519



End-stop profile
Material: EPDM
Hardness: SH 65
Roll of 50 m

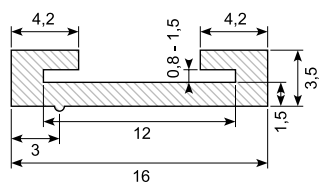
30.12553-2 *



Material: EPDM black
Hardness: SH 60A
Min. order: 1.500 m

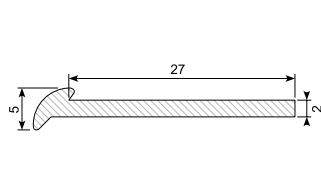
Specialprofiler / Special profiles

30.798



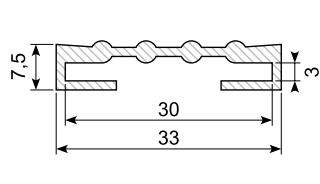
Material: EPDM black
Hardness: SH 65

30.14163-1



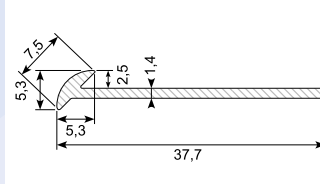
Material: EPDM
Hardness: SH 65

30.144



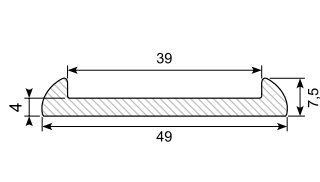
Material: EPDM black
Hardness: SH 60

30.5179



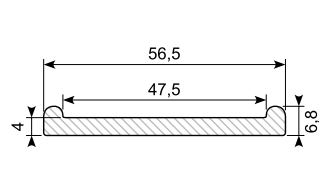
Material: EPDM

30.141



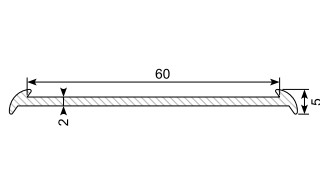
Material: EPDM
Hardness: SH 60

30.142S



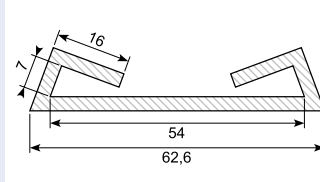
Material: EPDM black
Hardness: SH 65

30.14163



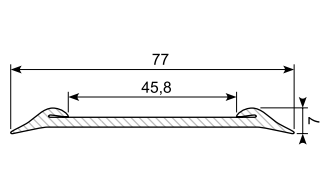
Material: EPDM
Hardness: SH 65

30.8331



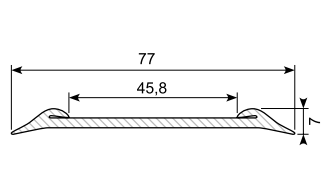
Material: EPDM black
Hardness: SH 65

30.145W *



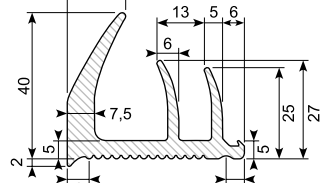
Material: EPDM white
Hardness: SH 65
Min. order: 300 m

30.145 *



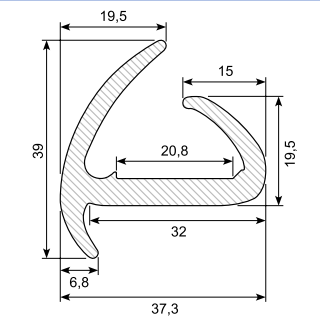
Material: EPDM black
Hardness: SH 70
Min. order: 200 m

30.13447-8 *



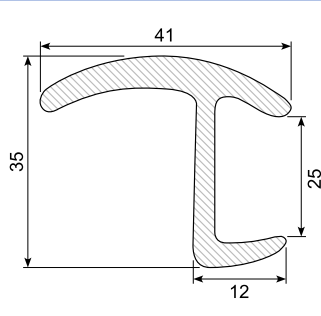
Container profile
Material: EPDM
Hardness: SH 70
Length: 2,5 m
Min. order: 500 m

30.7663



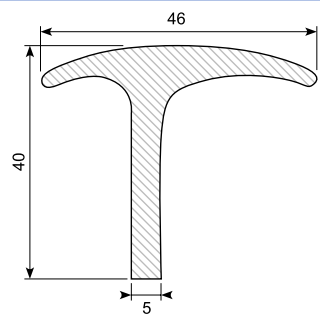
Material: EPDM black
Hardness: SH 65
Length: 5 m

30.340



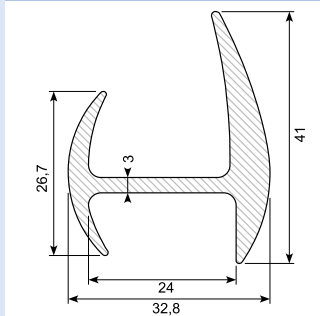
Material: EPDM black
Hardness: SH 50
Length: 3 m

30.2438



Material: EPDM black
Hardness: SH 65
Length: 2,2 m

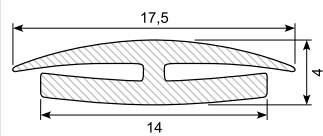
30.4437 *



Material: EPDM black
Hardness: SH 60
Min. order: 85 m

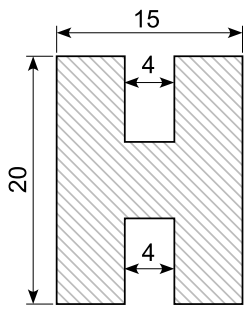
Specialprofiler / Special profiles

30.7411



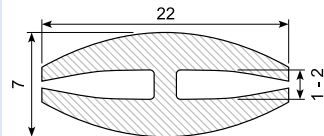
Material: EPDM black
Hardness: SH 65
Grip range: 1 - 1,5 mm

30.13062 *



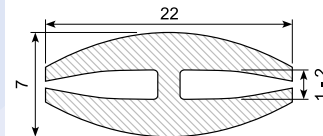
Material: EPDM
Hardness: SH 65
Min. order: 500 m

34.7528-2H *



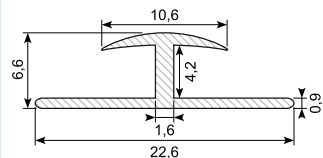
Material: PVC white
Min. order: 250 m

34.7528-2 *



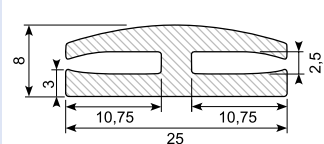
Material: PVC grey

34.3546 *



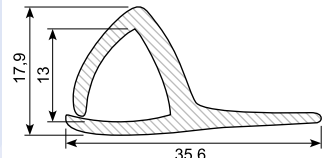
Material: PVC white

30.762



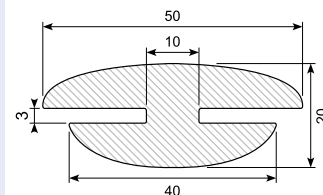
Material: EPDM black
Hardness: SH 65

31.072



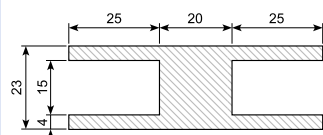
Material: EPDM black
Hardness: SH 65

30.7266 *



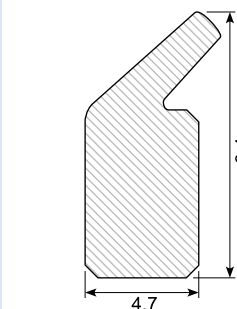
Material: EPDM black
Hardness: SH 65
Min. order: 50 m

30.12932-2 *



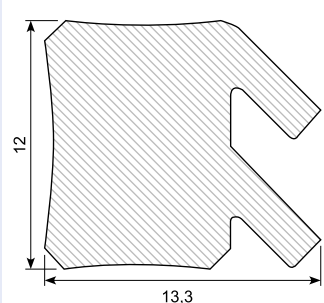
Material: EPDM black
Hardness: SH 60
Min. order: 400 m

30.29300-130 *



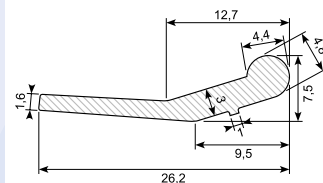
Material: CR black
Hardness: SH 65
Min. order: 100 m
Conditional oil resistant

30.29300-129 *



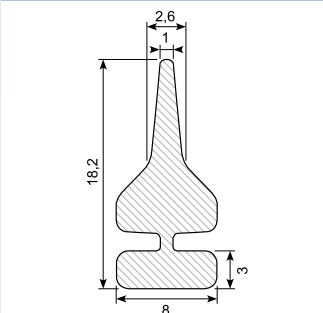
Material: CR black
Hardness: SH 65
Min. order: 300 m
Conditional oil resistant

30.16688



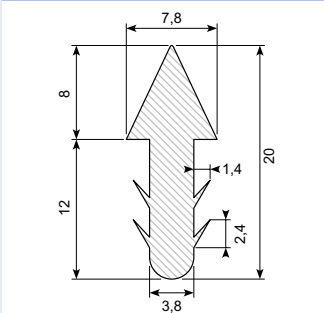
Material: EPDM
Hardness: SH 70

30.7811 *



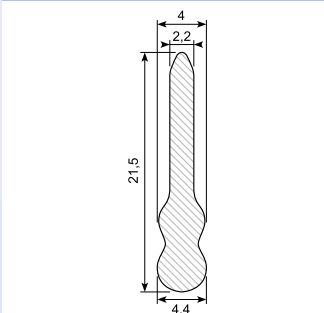
Material: EPDM black
Hardness: SH 60
Min. order: 1.500 m

30.11905



Material: Silicone black
Hardness: SH 50

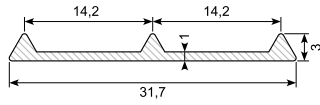
30.7249 *



Material: CR black
Hardness: SH 70
Min. order: 500 m
Conditional oil resistant

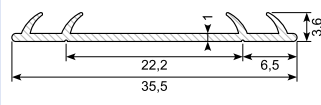
Specialprofiler / Special profiles

30.13049-4



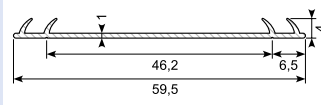
Material: EPDM black
Hardness: SH 60A

30.13049-2 *



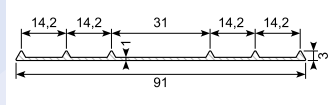
Material: EPDM
Hardness: SH 60A
Min. order: 5.000 m

30.13049-1 *



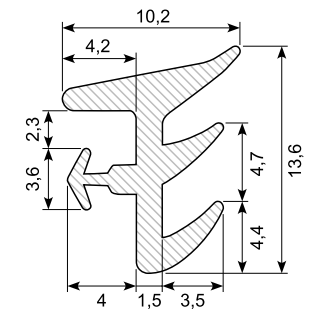
Material: EPDM
Hardness: SH 60A
Min. order: 4.000 m

30.13049-5 *



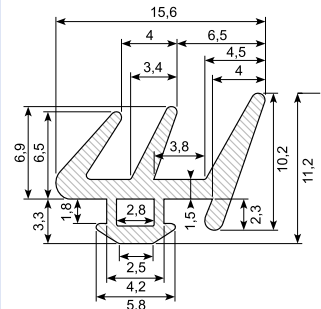
Material: EPDM black
Hardness: SH 60A
Min. order: 2.000 m

30.4469



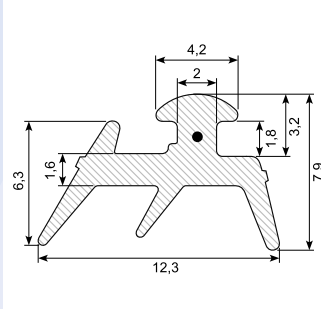
Material: EPDM
Hardness: SH 60
Coated with silicone

30.10485



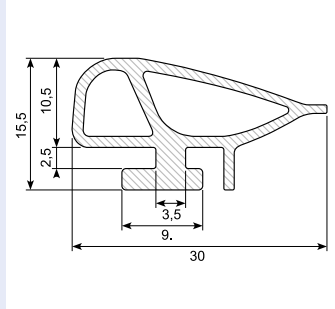
Material: EPDM
Coated with silicone

30.9387-2 *



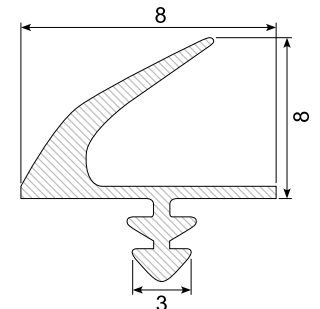
Material: EPDM
Min. order: 5.000 m
With internal cord

30.13796 *



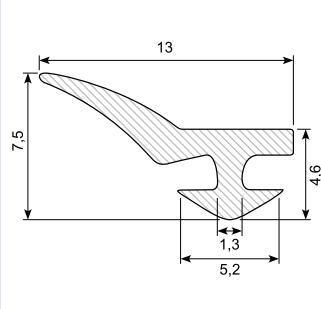
Material: EPDM black
Hardness: SH 75A
Min. order: 1.000 m

30.OT1092 *



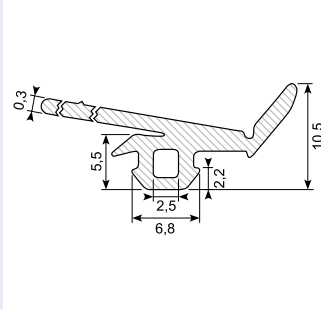
Material: Silicone white
Min. order: 300 m

31.702 *



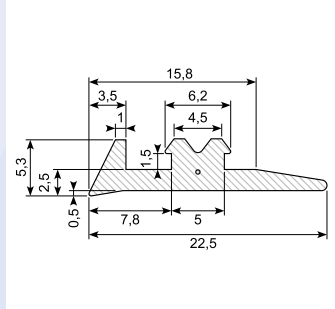
Material: EPDM black
Hardness: SH 70
Conditional oil resistant
Min. order: 2.000 m
(restlager 135m)

30.7507 *



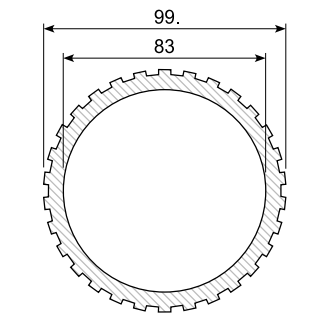
Material: EPDM black
Hardness: SH 65
Min. order: 1.000 m

30.10461-2



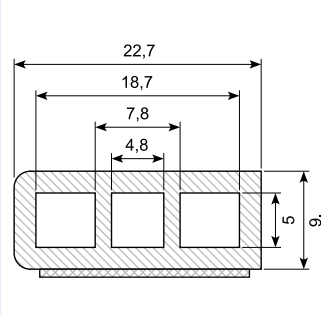
Material: EPDM with cord

30.7845 *



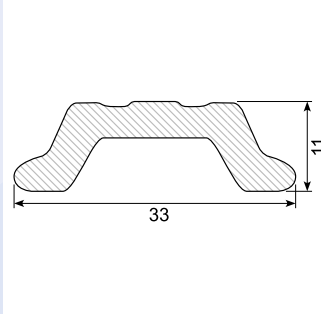
Material: SBR black
Hardness: SH 70
Min. order: 51 m

30.16977 *



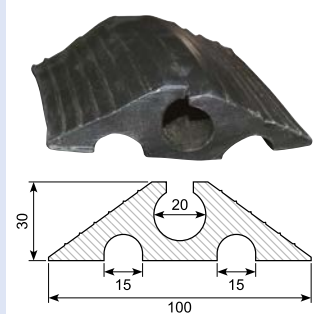
Material: PVC hard white
with adhesive
Min. order: 3.000 m

30.5596 *



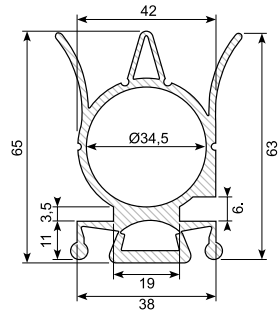
Material: EPDM black
Hardness: SH 65
Min. order: 500 m

52.PP106



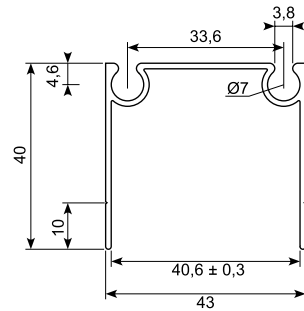
Material: NR / SBR
Cable transmission. Roll 9 m

30.13503



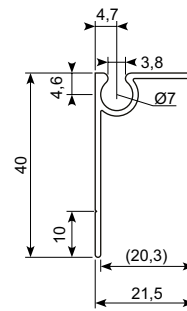
Material: EPDM black
Hardness: SH 60A
For track [41.13459](#)

41.13459



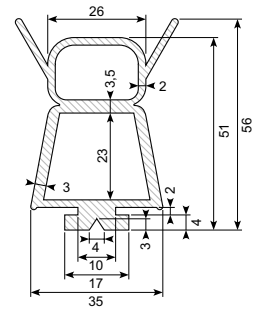
Aluprofile for gate
Anodized surface. Length 6 m.
Calculated weight 479 g/m.
For profile: [30.13503](#)

41.13459X *



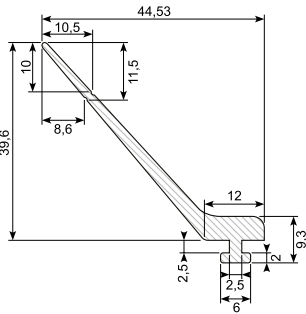
1/2 aluprofile for gate 21.5 x 40 mm
Anodized surface. Length 6 m.
Calculated weight: 239 g/m
For profile: [30.13503](#)
Min. order: 50 pcs. + add on costs

30.9215



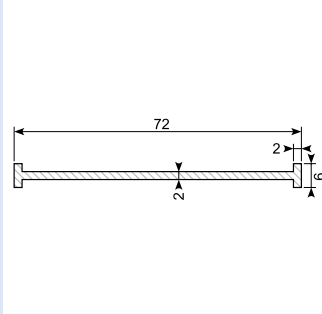
Material: EPDM
Hardness: SH 65 - 70

30.9826-1



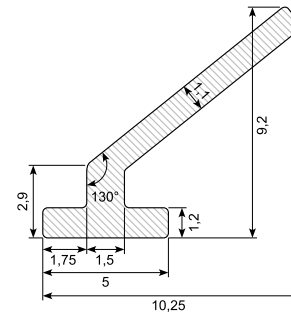
Material: EPDM
Hardness: SH 70

30.9826-2



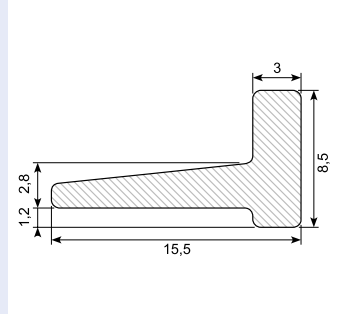
Material: EPDM
Hardness: SH 70

30.10036



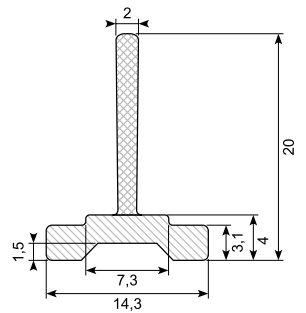
Material: EPDM
Hardness: SH 70

30.9996-6 *



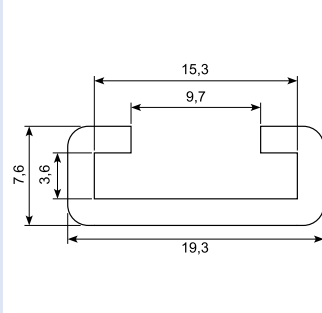
Material: EPDM
Hardness: SH 60
Min. order: 1,200 m

30.13242



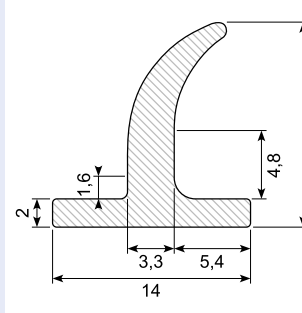
Material: EPDM co-ex
Hardness: SH 85 / 62
Length: 3.000 mm
(Rail see [41.670](#))

41.670



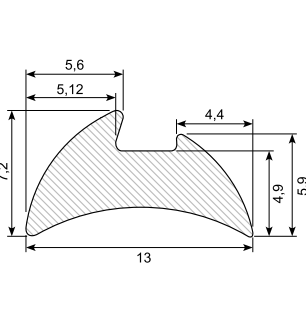
Elekeret alu.
3 m med montagehuller.
Ø4 hver 200 mm.
Til profil [30.13242](#)

30.16239



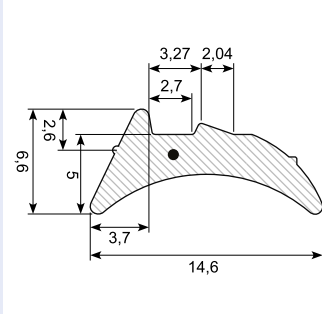
Material: EPDM
Hardness: SH 70

30.9996-5



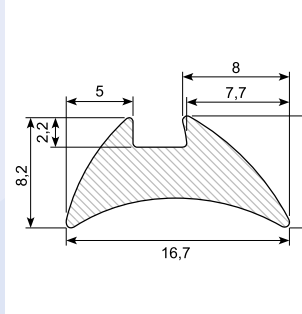
Material: EPDM
Hardness: SH 70

30.9387-1



Material: EPDM
Hardness: SH 70
With cord

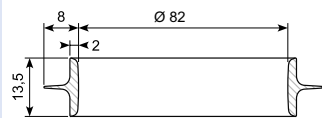
30.9996-4



Material: EPDM
Hardness: SH 70

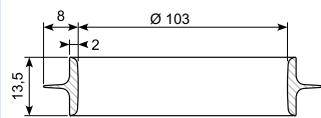
Specialprofiler / Special profiles

30.9437-100



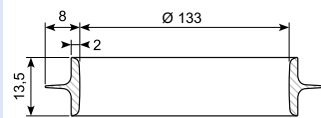
Ventilation ring
Material: EPDM black
Hardness: SH 60 - 65

30.9437-125



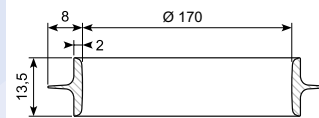
Ventilation ring
Material: EPDM black
Hardness: SH 60 - 65

30.9437-160



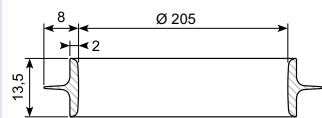
Ventilation ring
Material: EPDM black
Hardness: SH 60 - 65

30.9437-200



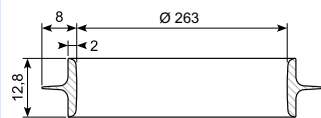
Ventilation ring
Material: EPDM black
Hardness: SH 60 - 65

30.9437-250



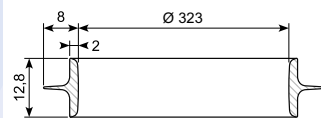
Ventilation ring
Material: EPDM black
Hardness: SH 60 - 65

30.9437-315 *



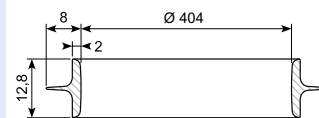
Ventilation ring
Material: EPDM black
Hardness: SH 60 - 65
Min. order: 1.000 m

30.9437-400 *



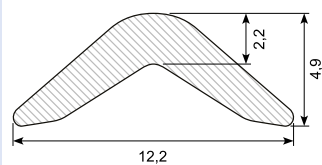
Ventilation ring
Material: EPDM black
Hardness: SH 60 - 65
Min. order: 1.000 m

30.9437-500



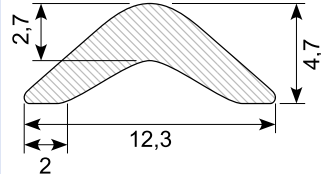
Ventilation ring
Material: EPDM black
Hardness: SH 60 - 65

45.205SX



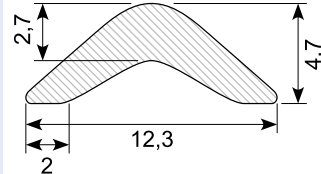
Material: PVC silver grey

45.209BX



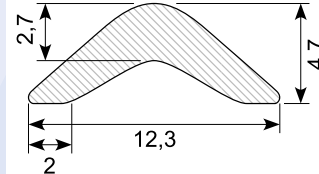
Material: PVC black

45.210B / 45.210BX



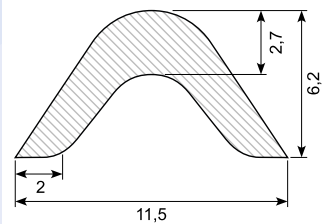
Material: PVC white

45.210C / 45.210CX



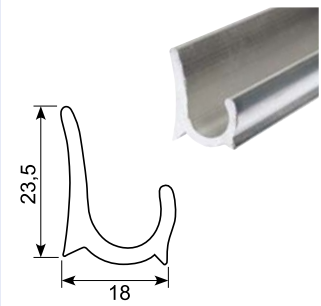
Material: PVC off white

45.208



Material: PVC blue

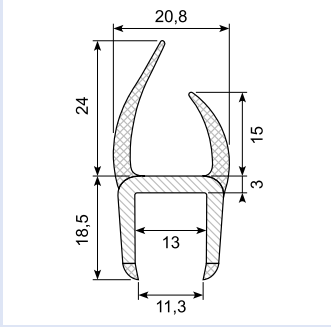
41.406



Material: -
Length: 5 m

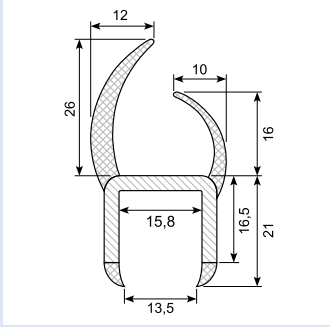
Co-ekstruderede plastprofiler / Co-extruded plastic profiles

50.083013 *



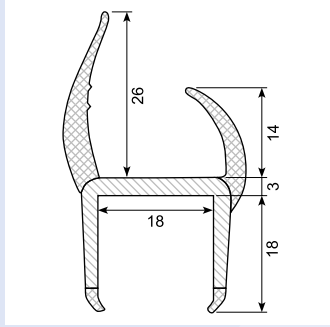
Material: PVC co-ex profile 13 mm
Black / white
Length: 5 m
With 4 soft lips
Min. order: 200 pcs

50.083015GG / 50.083015GGX



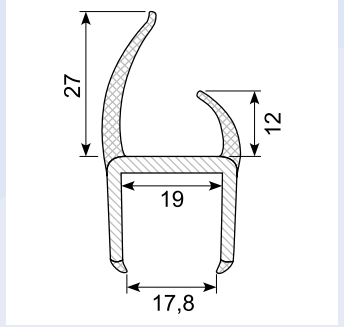
Material: PVC co-ex profile 15 mm
Light grey / grey lips
Length: 5 m
With 4 soft lips
50.083015GGX: 4 m light/light

50.083030



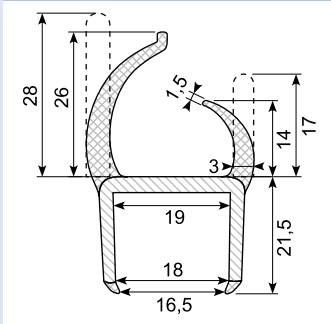
Material: PVC co-ex profile 18 mm
Black / white
Length: 5 m
With 4 soft lips

50.083032GG *



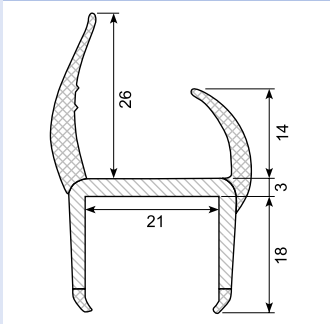
Material: PVC co-ex profile 18,4 mm. Grey / grey (other colors possible)
Length: 6 m
With 4 soft lips
Min. order: 500 m

50.083033



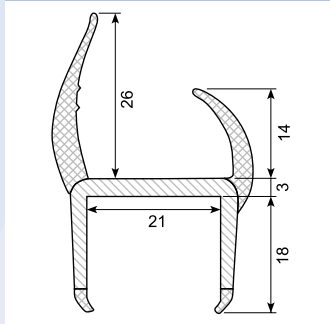
Material: PVC co-ex profile 19 mm
Black lips / light grey
Length: 5 m
With 4 soft lips

50.083040GS



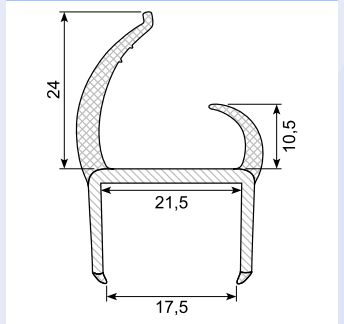
Material: PVC co-ex profile 21 mm
Black / grey
Length: 6 m
With 4 soft lips

50.083040



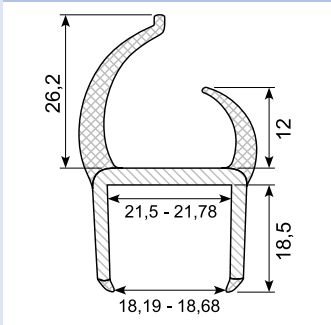
Material: PVC co-ex profile 21 mm
Black / white
Length: 5 m
With 4 soft lips
Min. order: 200 pcs.

50.083040G



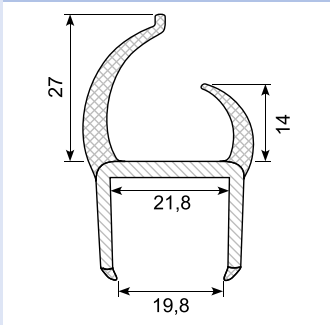
Material: PVC co-ex profile 21 mm
Grey / grey
Length: 5 m
With 4 soft lips

50.083033X



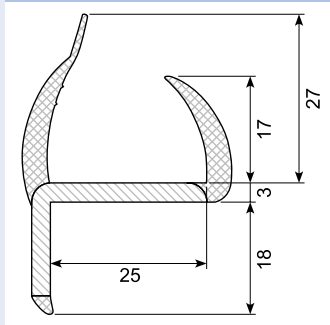
Material: PVC co-ex profile 20 mm
Black lips / light grey
Length: 5 m
With 4 soft lips

50.083040GG *



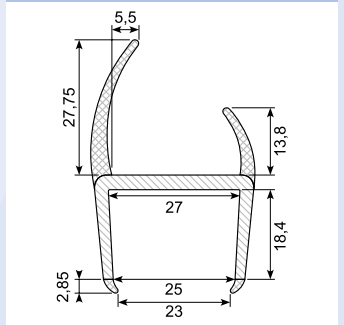
Material: PVC co-ex profile 20,8 mm. Grey / grey (other colors possible)
Length: 6 m
With 4 soft lips

50.083045X *



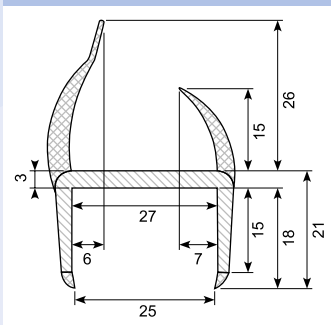
Material: PVC co-ex profile 25 mm (different colors possible)
Length: 5 m
With 3 soft lips
Min. order: 250 m (China)

54.710720 *



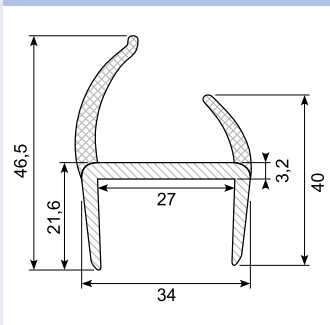
Material: PVC co-ex profile 25 mm
Hardness: Hard/soft
Length: 3 m
With 4 soft lips
Min. order: 25 pcs.

50.083045G *



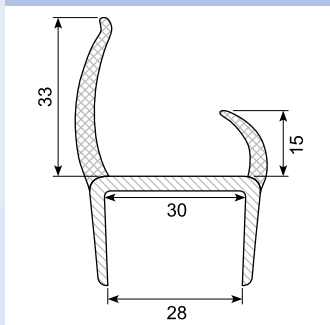
Material: PVC co-ex profile 25 mm
Different colors possible
Length: 6 m
With 4 soft lips
Min. order: 500 m

50.083046



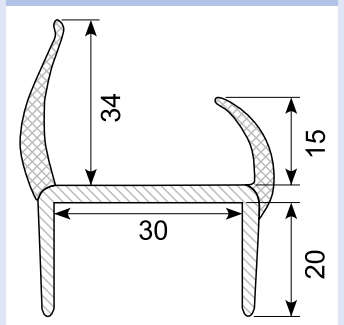
Material: Co-ex profile 27 mm
Light grey / light grey
Length: 5 m
With 2 soft lips

50.083050GG *



Material: PVC co-ex profile 30 mm
Grey / grey (other colors possible)
Length: 5 m
With 2 soft lips
Min. order: 500 m

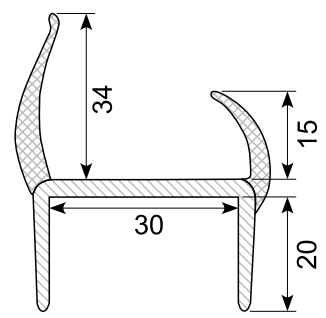
50.083050



Material: PVC co-ex profile 30 mm
Black / white
Length: 5 m
With 2 soft lips

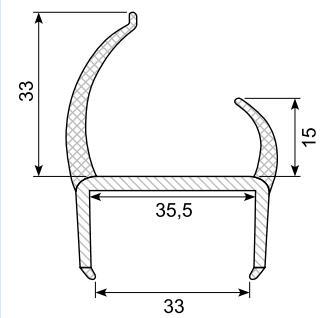
Co-ekstruderede plastprofiler / Co-extruded plastic profiles

50.083050G



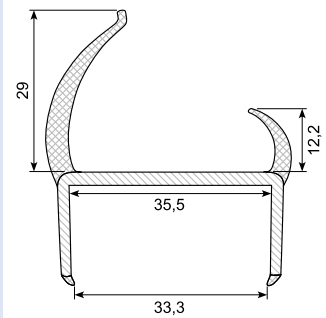
Material: PVC co-ex profile 30 mm
Black / light grey
Length: 5 m
With 2 soft lips

50.083052G *



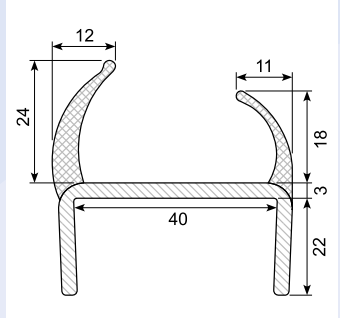
Material: PVC co-ex profile 35 mm
Grey / grey
(other colors possible)
Length: 3 m
With 4 soft lips
Min. order: 300 m

50.083055G



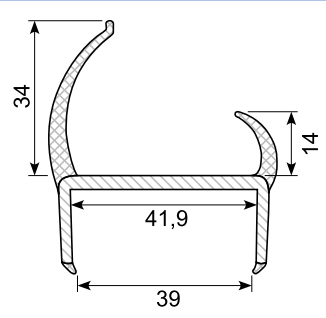
Material: PVC co-ex profile 35 mm
Light grey / grey lips
Length: 5 m
With 4 soft lips

50.083059 *



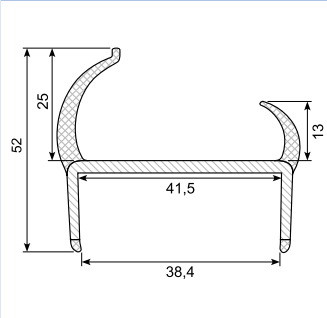
Material: PVC co-ex profile 40 mm
White / black lips
Length: 5 m
With 2 soft lips
Min. order: 250 m

50.083060 *



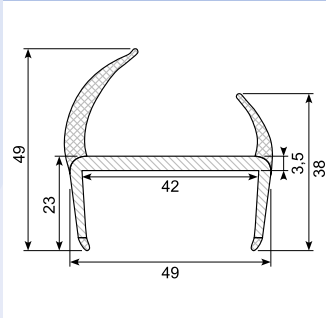
Material: PVC co-ex profile 40 mm
White / black lips
(other colors pos.)
Length: 5 m
With 4 soft lips
Min. order: 500 m

50.083060G



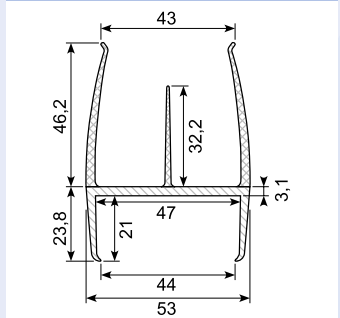
Material: PVC co-ex profile 40 mm
Light grey / grey lips
Length: 5 m
With 2 soft lips

50.083061 *



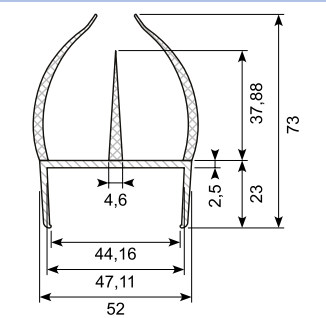
Material: PVC co-ex profile 42 mm
White / black lips
Length: 5 m
With 4 soft lips
Min. order: 250 m (China)

50.083065 *



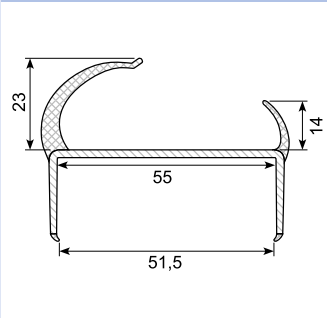
Material: PVC co-ex profile 45 mm
Grey / grey
(other colors possible)
Length: 5 m
With 3 soft lips
Min. order: 250 m

50.083065G



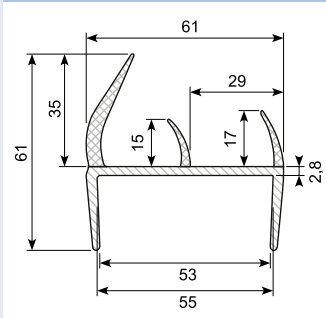
Material: Co-ex profile
Length: 5 m

50.083070G



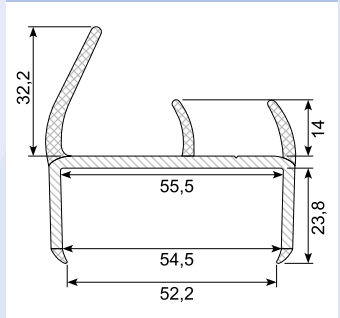
Material: PVC co-ex profile 55 mm
Light grey / grey lips
Length: 5 m
With 4 soft lips

50.083070B *



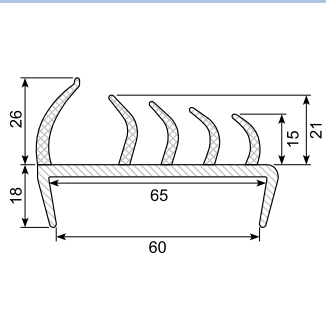
Material: PVC co-ex profile 55 mm
White / black lips
Length: 5 m
Min. order: 500 m
With 4 soft lips

54.710770 *



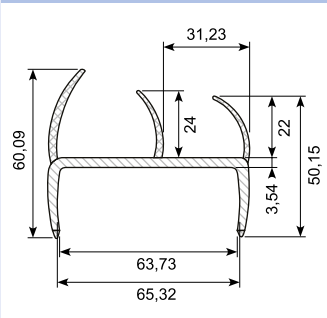
Material: Grey PVC co-ex profile 30 mm
Length: 3 m
Min. order: 50 m
With 4 soft lips

50.083081 *



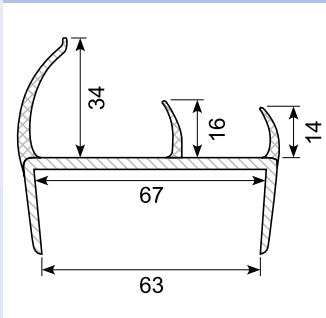
Material: PVC black co-ex profile 65 mm
With 5 soft lips
Min. order: 250 m

50.083080GG *



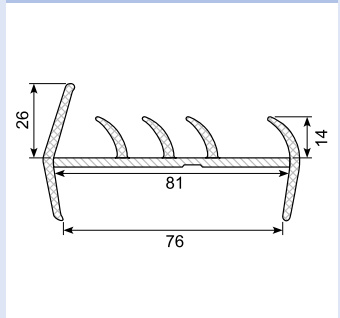
Material: PVC co-ex profile 65 mm
Light grey / light grey lips
Length: 5 m
With 3 soft lips
Min. order: 250 m (China)

50.083080G



Material: PVC co-ex profile 65 mm
Grey / grey lips
Length: 5 m
With 2 soft lips

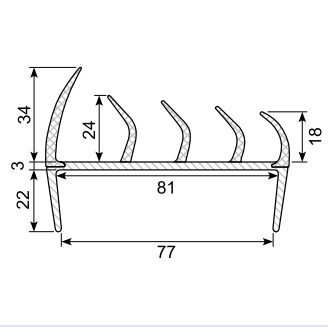
50.083088 *



Material: PVC co-ex profile 81 mm
Black
With 5 soft lips
Min. order: 250 m

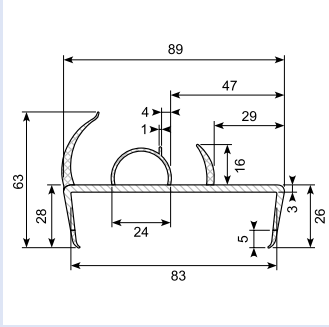
Co-ekstruderede plastprofiler / Co-extruded plastic profiles

50.083089 *



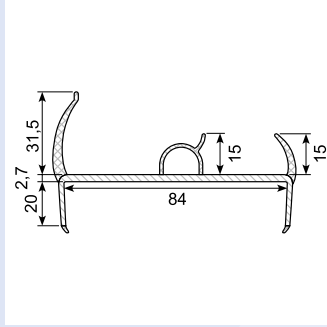
Material: PVC co-ex profile 81 mm
Black
With 5 soft lips
Min. order: 250 m

50.083090



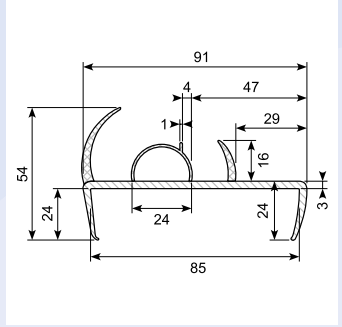
Material: PVC co-ex profile 83 mm
Light grey / light grey
Length: 5 m
With 4 soft lips

50.083095B *



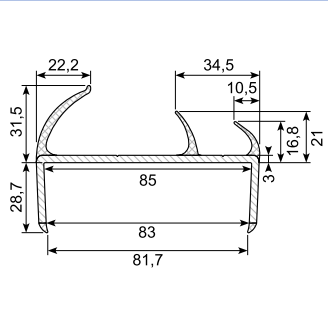
Material: PVC co-ex profile 84 mm
White / black lips.
Length: 5 m
Min. order: 500 m
With 4 soft lips

50.083095 / 50.083095G *



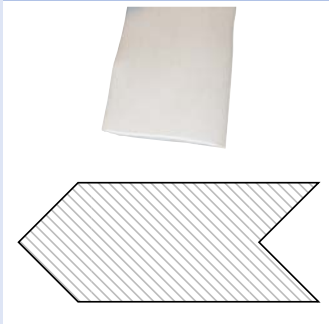
Material: PVC co-ex profile 85 mm
White / black lips.
Length: 5 m
With 4 soft lips
50.083095G: Min order: 250 m.

54.710780 *



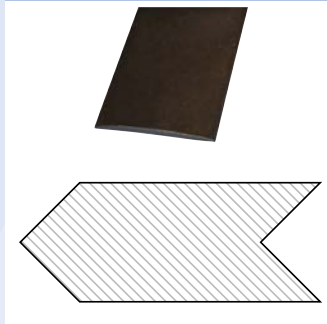
Material: PVC co-ex profile 85 mm
Black / grey
Hardness: Hard / soft
Length: 3 m
With 4 soft lips
Min. order: 50 pcs.

50.083000GG



Grå hjørnebånd
Grey connection part. Soft PVC.
In running meters

50.083000SS

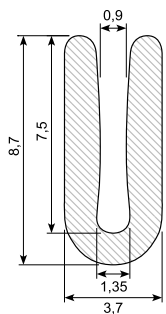


Sort hjørnebånd
Black connection part. Soft PVC.
In running meters



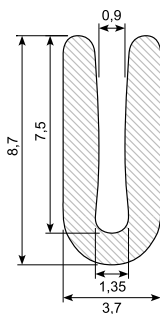
U-profiler / U-profiles

31.018S *



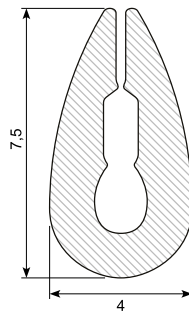
Material: EPDM black
 Hardness: SH 65
 Min. order: 4.100 m

31.018X



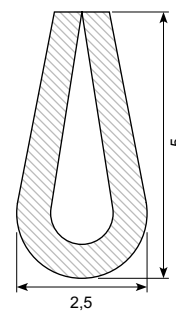
Material: PVC black
 Hardness: SH 65

34.018X



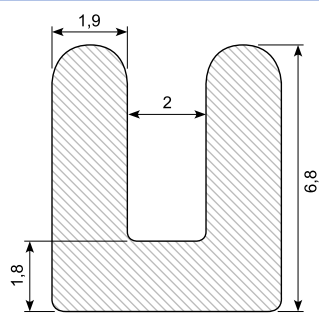
Material: PVC light grey
 Hardness: Soft

34.14334X



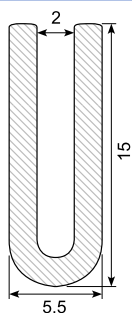
Material: PVC black
 Plade: 1,5 - 2 mm

31.060S



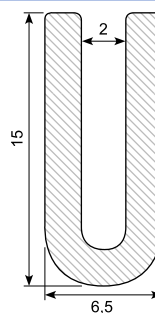
Material: EPDM black
 Hardness: SH 65

31.041S



Material: EPDM black
 Hardness: SH 65

31.042S



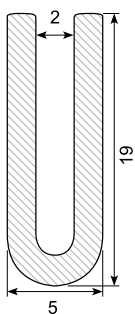
Material: EPDM black
 Hardness: SH 65

30.OT3394 *



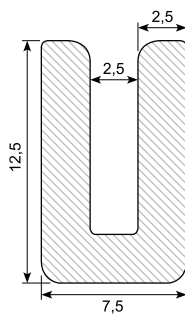
Material: Silicone black
 Min. order: 100 m

31.047 *



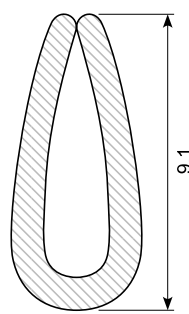
Material: EPDM black
 Hardness: SH 65
 Min. order: 1.000 m

31.063



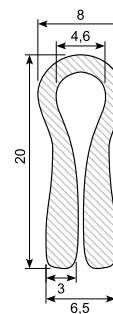
Material: EPDM black
 Hardness: SH 65

30.9548



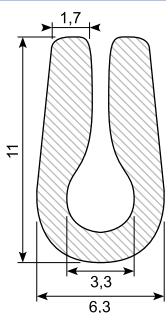
Material: PVC hard light grey
 Length: 3,9 m

31.025S



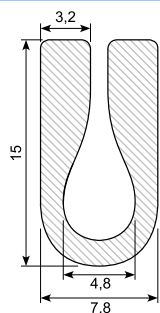
Material: EPDM black
 Hardness: SH 65

31.021S



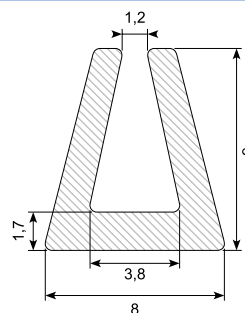
Material: EPDM black
 Hardness: SH 65

31.022S



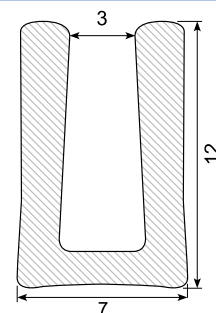
Material: EPDM black
 Hardness: SH 65

34.031X



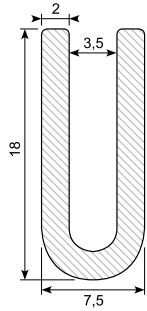
Material: PVC transparent
 Hardness: Soft

30.13086



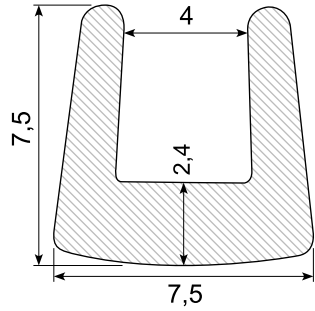
Material: EPDM black
 Hardness: SH 80

31.043S



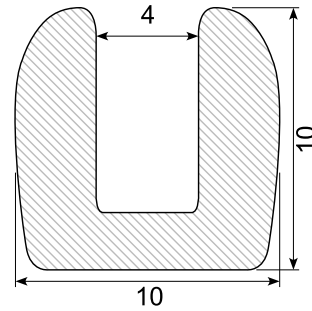
Material: EPDM black
Hardness: SH 65

31.064



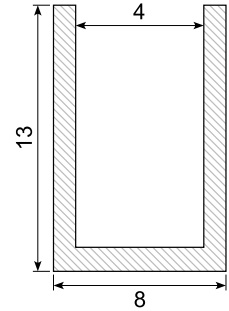
Material: EPDM black
Hardness: Hard

31.065S



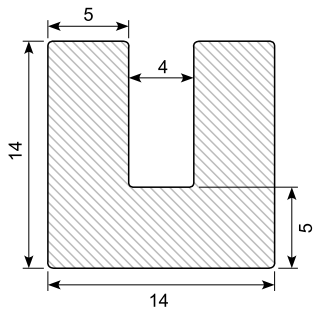
Material: EPDM black
Hardness: SH 65

31.061S



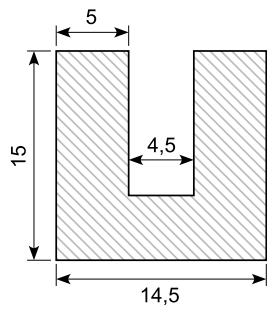
Material: EPDM black
Hardness: SH 65

30.6622N



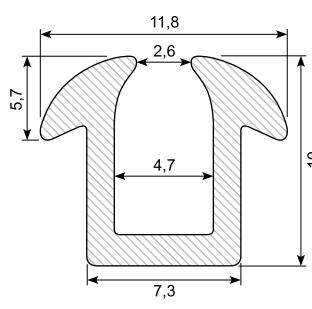
Material: NBR black
Hardness: SH 65
Oil resistant

30.6622 *



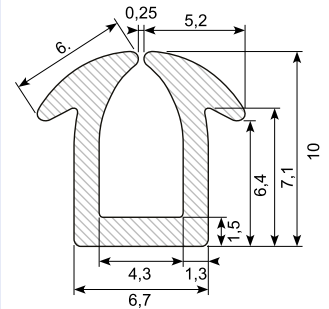
Material: EPDM black
Hardness: SH 65
Min. order: 500 m

31.216ST



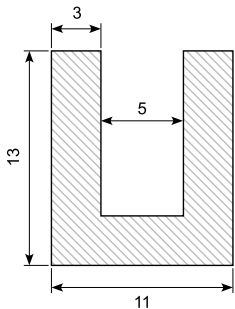
Material: EPDM black
Hardness: SH 65

31.216GS



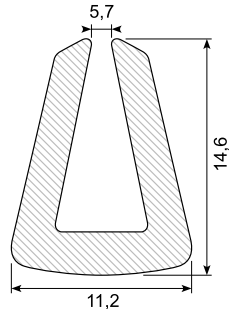
Material: Silicone light grey
Ral 7040
Hardness: SH 70

30.11459 *



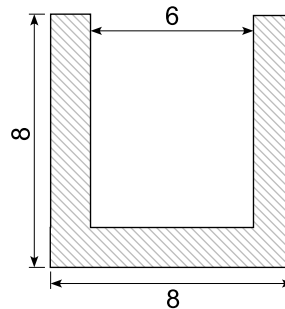
Material: Silicone transparent
Hardness: SH 45
Min. order: 250 m

34.035



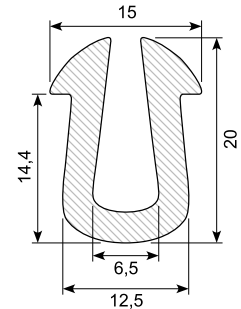
Material: PVC transparent
Hardness: Hard

31.066



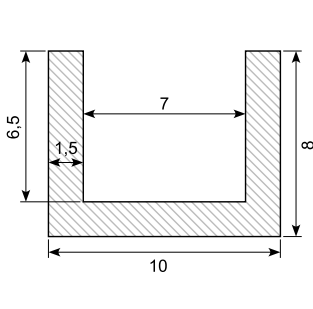
Material: Silicone black
Hardness: SH 70

30.6724



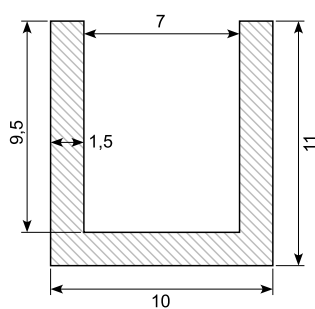
Material: EPDM black
Hardness: SH 65

30.14507-1 *



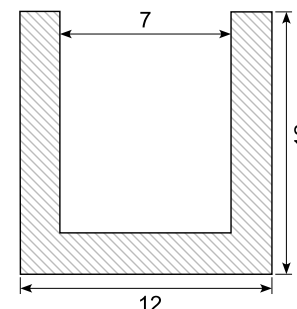
Material: EPDM black
Min. order: 3.000 m

30.14507-2 *



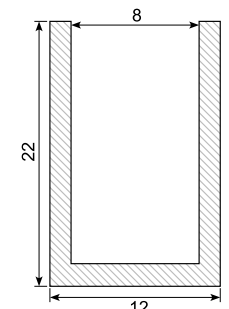
Material: EPDM black
Min. order: 3.000 m

31.068S



Material: EPDM black
Hardness: SH 65

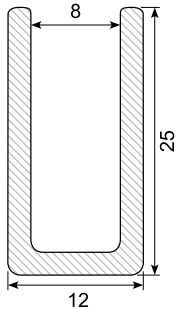
30.1386



Material: EPDM black
Hardness: SH 65

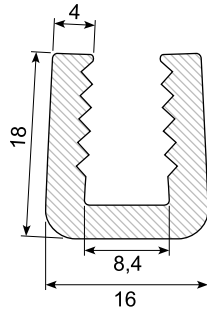
U-profiler / U-profiles

30.OT3440 *



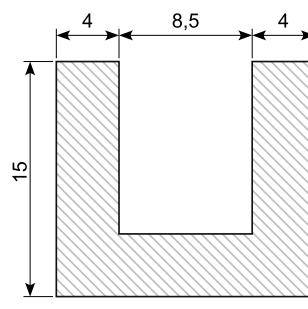
Material: Silicone black
Hardness: SH 60
Min. order: 100 m

30.12896



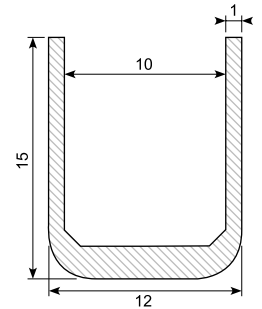
Material: EPDM black
Hardness: SH 65

31.074S *



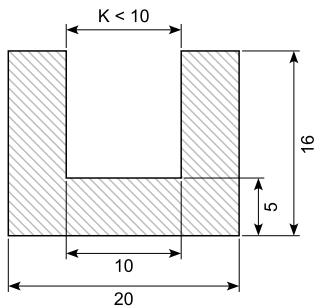
Material: EPDM black
Min. order: 1.000 m

30.7987



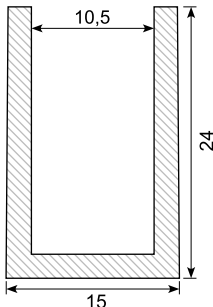
Material: EPDM black
Hardness: SH 65

30.OT0136 *



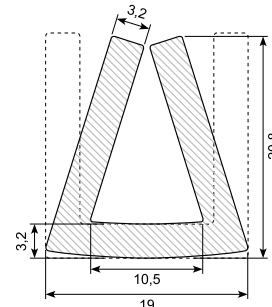
Material: Silicone white
Min. order: 100 m

31.070S



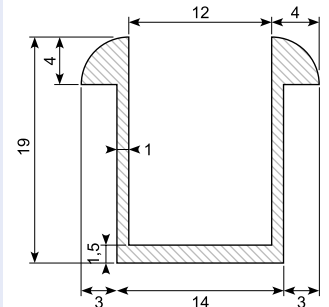
Material: EPDM black
Hardness: SH 50

31.071S



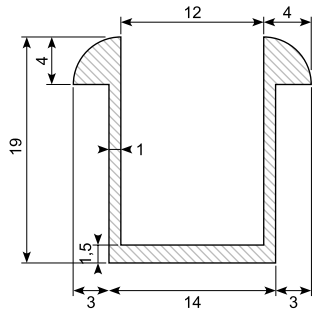
Material: EPDM black
Hardness: SH 65

30.2449



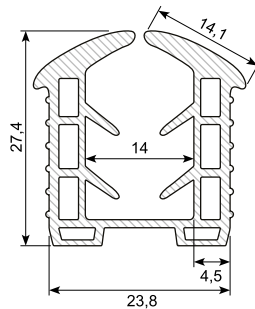
Material: PVC black
Length: 1.415 mm

30.2455



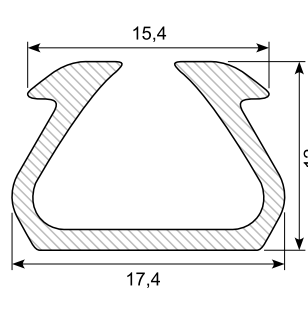
Material: PVC black
Length: 3.111 mm

30.11774 *



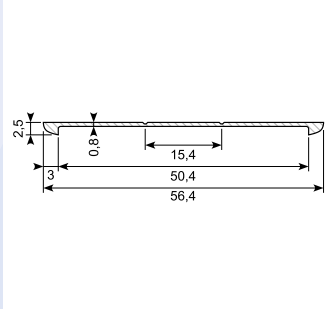
Material: EPDM
Hardness: SH 65

30.7508 *



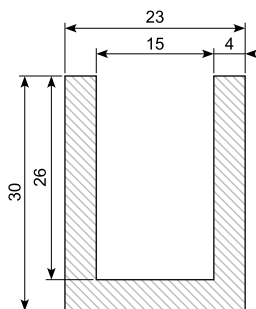
Material: EPDM black
Hardness: SH 65
Min. order: 400 m

30.9519 *



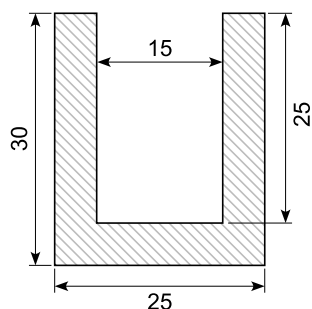
Material: PVC soft black
Min. order: 7.000 m

30.12932-1 *



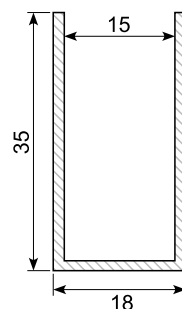
Material: EPDM black
Hardness: SH 60A
Min. order: 500 m

30.13535 *



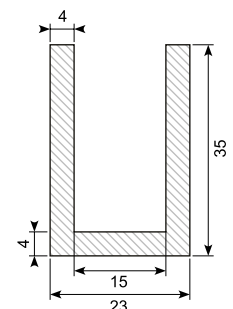
Material: EPDM black
Hardness: SH 60
Min. order: 420 m

30.7509



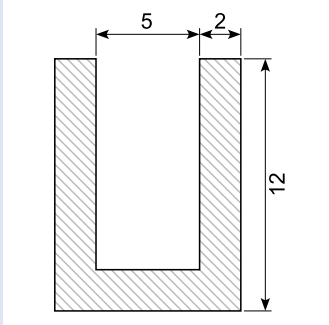
Material: EPDM black
Hardness: SH 65

30.10777-1 *



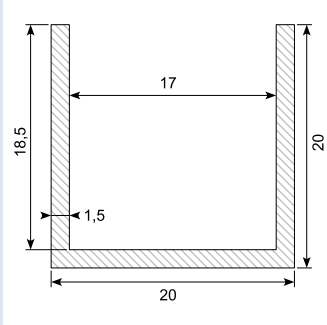
Material: TPE black
Hardness: SH 60
Min. order: 100 m

30.21101205



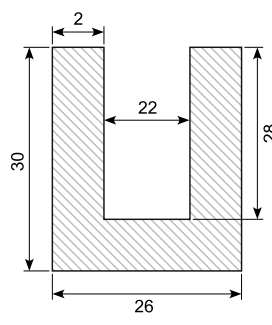
Material: EPDM
Hardness: SH 70

30.14507-3 *



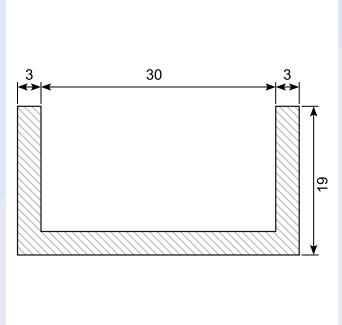
Material: EPDM
Min. order: 2.000 m

31.050



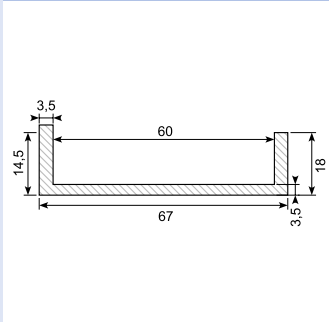
Material: EPDM black
Hardness: SH 65

30.14356 *



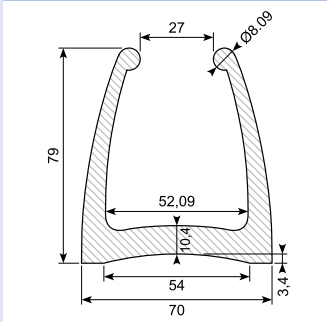
Material: TPE black
Hardness: SH 60
Min. order: 50 - 100 m

31.048 *



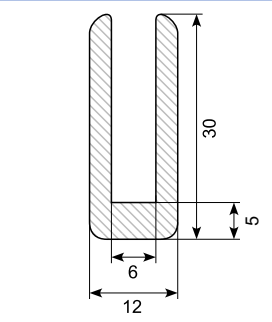
Material: EPDM black
Hardness: SH 65
Min. order: 250 m

30.11911 *



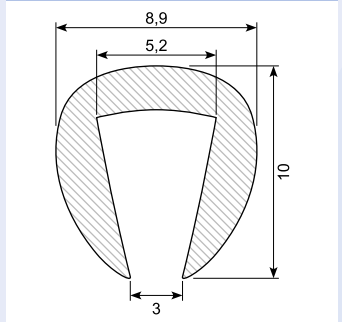
Material: EPDM
Hardness: SH 65
Min. order: 120 m

30.2984-5



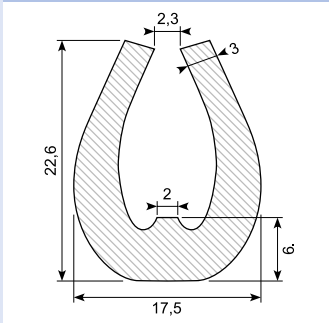
U-profile
Material: EPDM
Hardness: SH 70

34.117/6



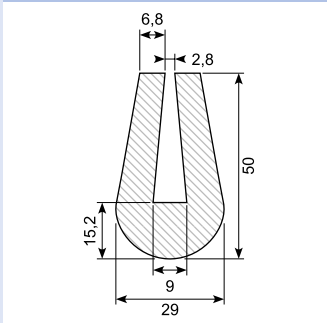
Material: Plastic metal grey

30.2984-6



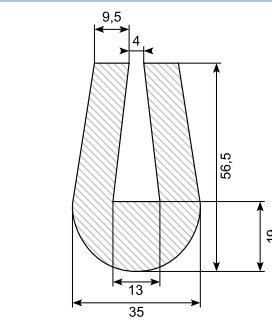
U-profile
Material: EPDM
Hardness: SH 80
Roll of 50 m

30.2984-1



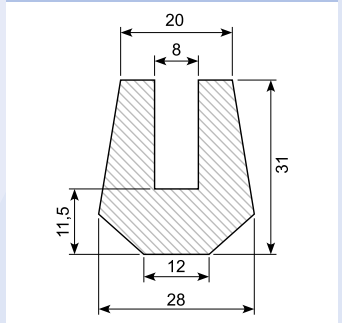
U-profile
Material: EPDM
Hardness: SH 70
Roll of 25 m

30.2984-2



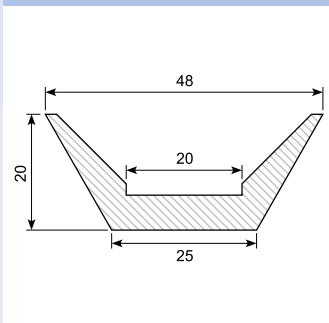
U-profile
Material: EPDM
Hardness: SH 65
Roll of 25 m

30.2984-3



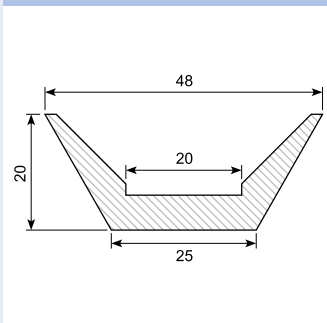
U-profile
Material: EPDM
Hardness: SH 70
Roll of 25 m

30.7519NBR *



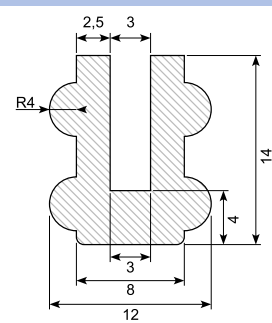
Material: NBR grey
Hardness: SH 65
Length: 3 m
Min. order: 500 m
Oil resistant

30.7519 *



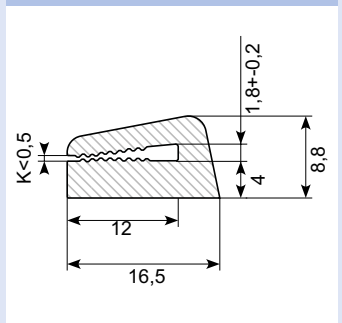
Material: EPDM black
Hardness: SH 65
Length: 50 m coils
Min. order: 50 - 250 m

30.14227 *



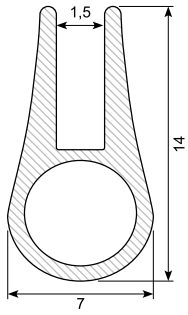
Material: Silicone transparent
Min. order: 100 m

30.11393 **



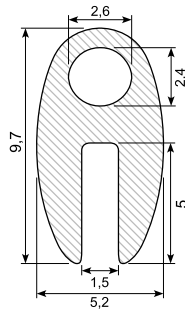
Material: Silicone, grå

31.037SI



Material: Silicone black

31.035S



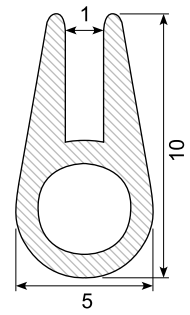
Material: EPDM black
Hardness: SH 65

31.036SI *



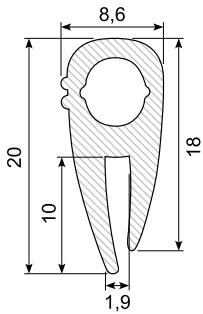
Material: Silicone black
Min. order: 200 m

31.036SI-LTC



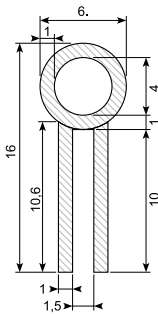
Material: Silicone black
UL94 approved

30.9884X *



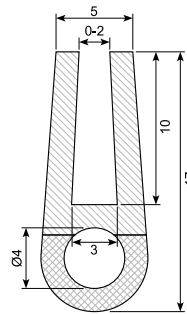
Material: EPDM
Min. order: 3.000 m

31.037 *



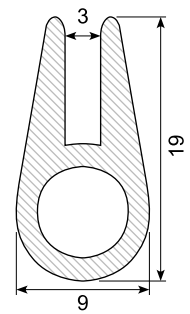
Material: EPDM
Hardness: SH 56 - 60A
Min. order: 2.000 m

30.9885

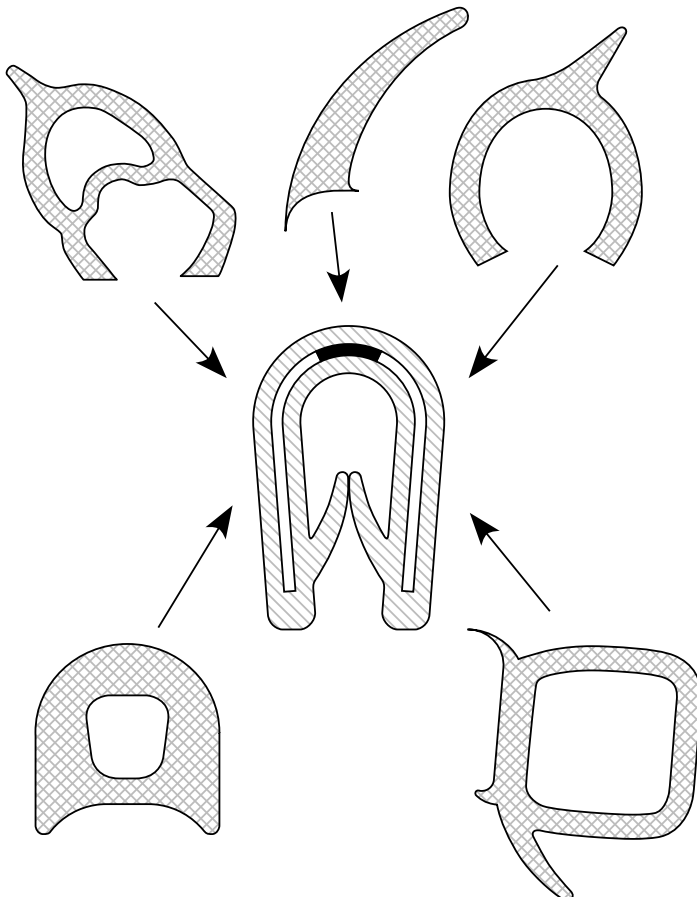


Material: EPDM
Hardness: SH 60

31.038SI

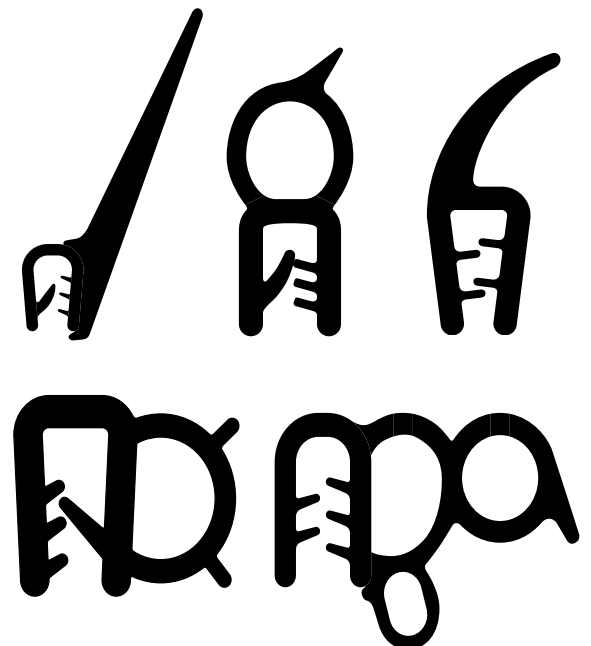


Material: Silicone black
Hardness: SH 60

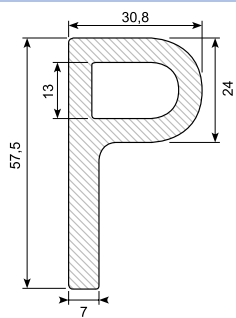


Edge trims

Configure your own edge trim or choose from the 2.000 different we have in stock.

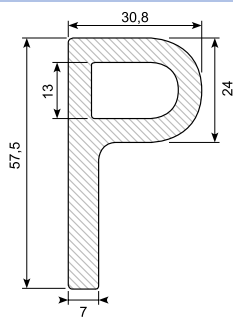


30.136



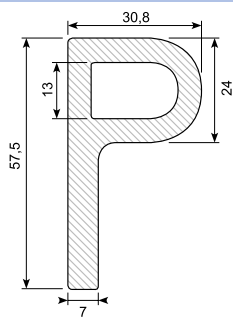
Material: EPDM black
Hardness: SH 65

30.136NBR



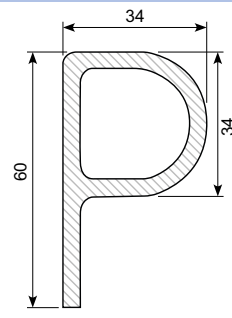
Material: NBR black
Hardness: SH 65
Oil resistant

30.136/45



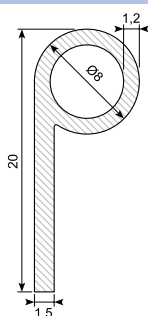
Material: EPDM black
Hardness: SH 45 soft

30.OT1057 * **



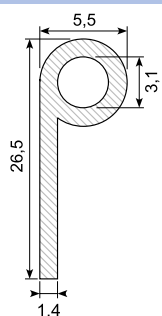
Material: Silicone white
Maks. 270°
Min. order: 50 m

30.182 **



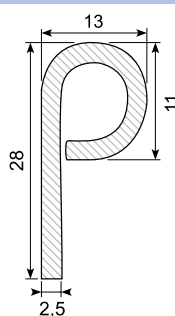
Material: Silicone grey
RAL 7040

30.22381



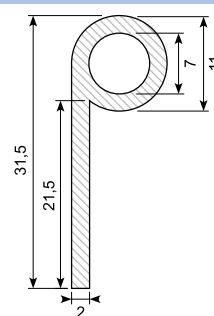
Material: CR black
Hardness: SH 70
Conditional oil resistant

30.148S *



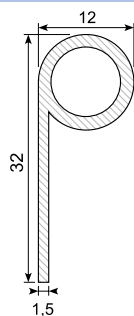
Material: EPDM black
Hardness: SH 65
Min. order: 450 m

30.7408X



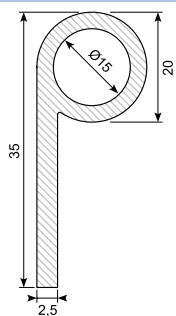
Material: EPDM black

30.OT2036



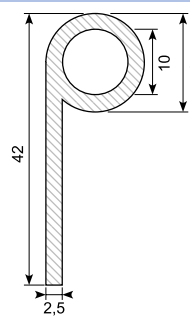
Material: Silicone black
Maks. 270°

30.140



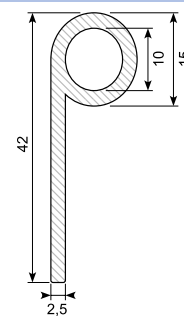
Material: SEBS, black
Hardness: SH60A

30.138S



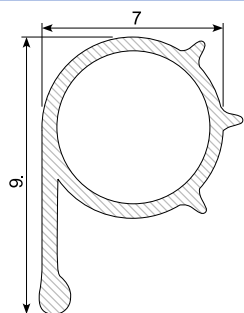
Material: EPDM black
Hardness: SH 65

30.138NBR *



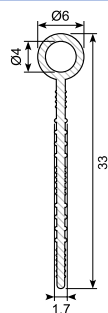
Material: NBR
Oil resistant
Min. order: 100 m

30.OT101 *



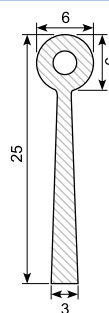
Material: Silicone brown
Min. order: 100 m

52.269X



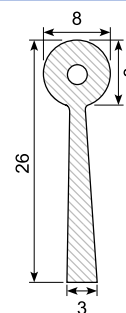
Material: PVC black
Hardness: Medium

30.174S *



Material: EPDM black
Hardness: SH 65
Min. order: 500 m

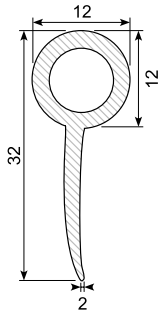
30.176 *



Material: EPDM black
Hardness: SH 65
Min. order: 1.000 m

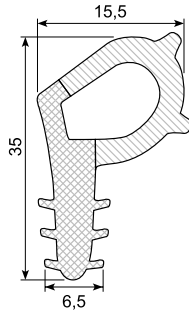
P-profiler / P-profiles

30.180



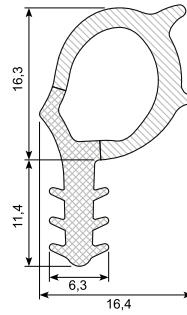
Material: EPDM black
Hardness: SH 65

30.8538 *



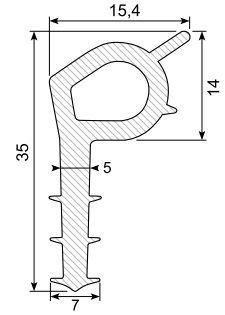
Material: EPDM co-ex
Hardness: SH 65 / density 0,70
Min. order: 2.000 m

30.8538B *



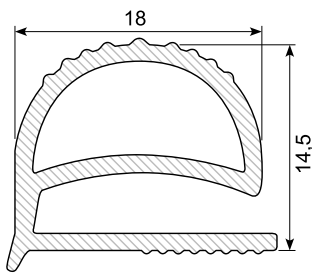
Material: EPDM co-ex
Hardness: SH 65 / density 0,5
Min. order: 2.000 m

30.OT3271 *



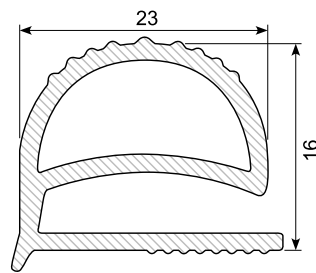
Material: Silicone light grey
Min. order: 1.000 m

30.6487 *



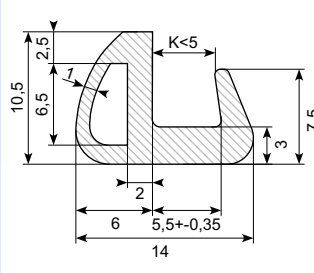
Material: PVC grey
Length: 3 m
Min. order: 1.000 m

30.SM251 *



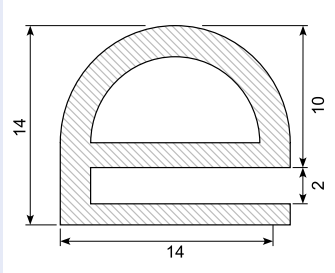
Material: TPE / EPDM grey
Hardness: SH 65
Length: 25 M
Min. order: 200 m

30.11580 **



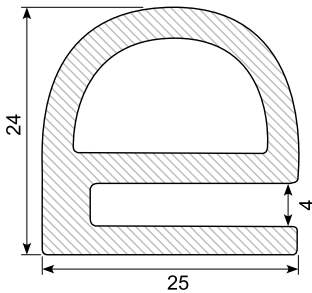
Material: Silicone, Black
Hardness: SH 55

30.OT1081



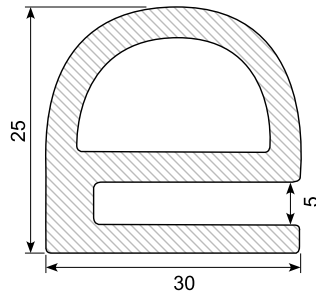
Material: Silicone white

30.OT3334



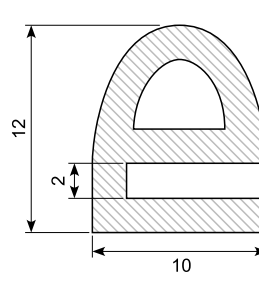
Material: Silicone white

31.OT2179 *



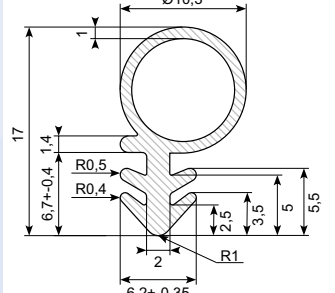
Material: Silicone white
Min. order: 100 m

30.OT1080



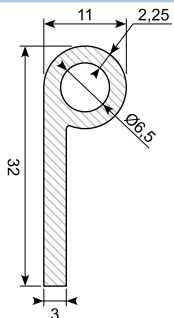
Edge trim: Silicone white
Hardness: SH 60

30.OT10644 **



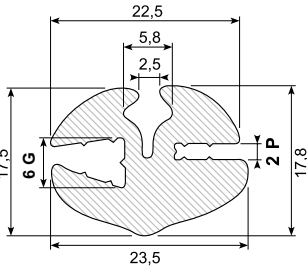
Material: Silicone, light grey

30.13708 **



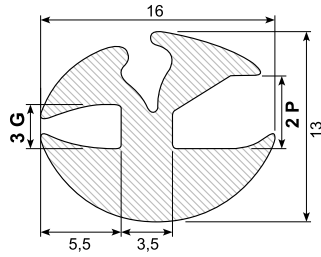
Material: Silicone, white
Hardness: SH 45

32.016S



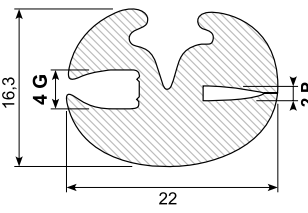
Material: EPDM black
Hardness: SH 65
Min. radius: 90 mm

32.924 **



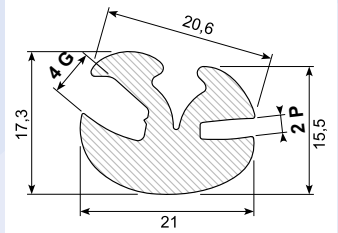
Material: EPDM black
Hardness: SH 60
Min. radius: 30 mm
Husk special låsekil 32.924K

32.2024CR *



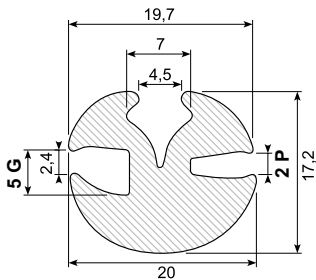
Material: CR black
Hardness: SH 65
Min. radius: 80 mm
Min. order: 200 m
Oil resistant

32.1024S



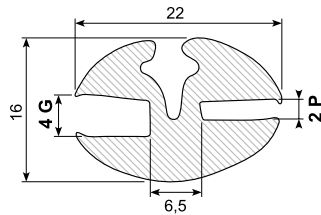
Material: EPDM black
Hardness: SH 65
Min. radius: 80 mm

32.1025S



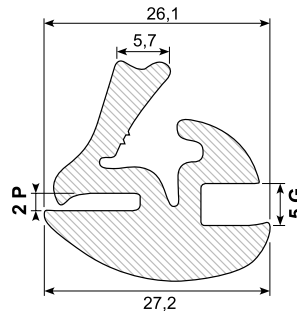
Material: EPDM black
Hardness: SH 65
Min. radius: 80 mm

32.2024M



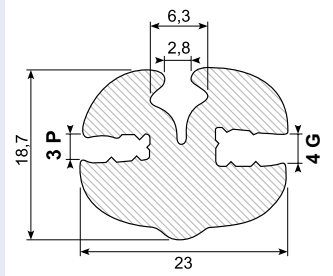
Material: EPDM black
Hardness: SH 65
Min. radius: 80 mm

32.1025SK



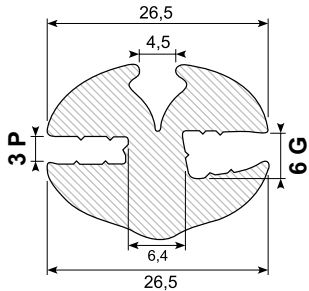
Material: EPDM black
Hardness: SH 65
Min. radius: 80 mm
Incl. wedge

32.034S



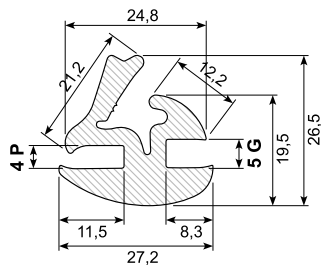
Material: EPDM black
Hardness: SH 65
Min. radius: 90 mm

32.036S



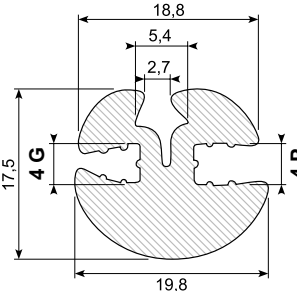
Material: EPDM black
Hardness: SH 65
Min. radius: 75 mm

32.1045SK *



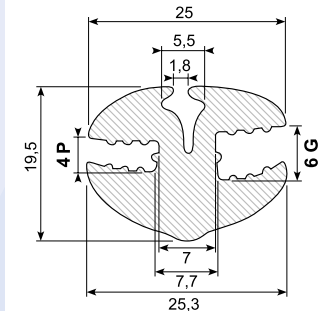
Material: EPDM black
Hardness: SH 65
Min. radius: 80 mm
Incl. wedge
Min. order: 100 m

32.044S



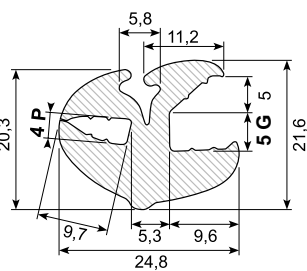
Material: EPDM black
Hardness: SH 65
Min. radius: 75 mm

32.046S



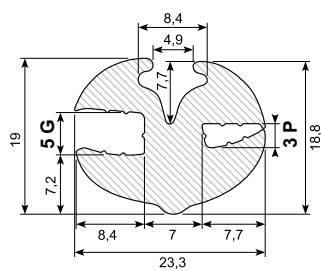
Material: EPDM black
Hardness: SH 65
Min. radius: 90 mm

32.2045M



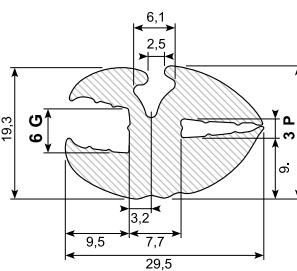
Material: EPDM black
Hardness: SH 65
Min. radius: 90 mm

30.8439



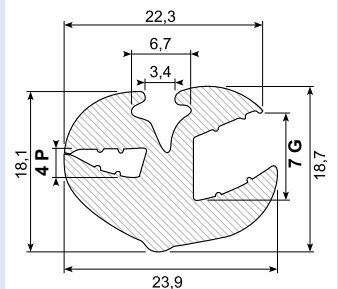
Material: EPDM
Hardness: SH 65

32.036X



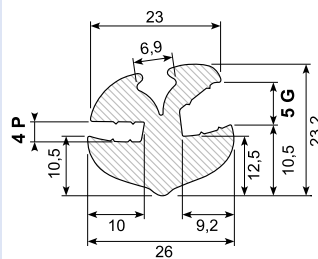
Material: EPDM
Hardness: SH 65

32.047



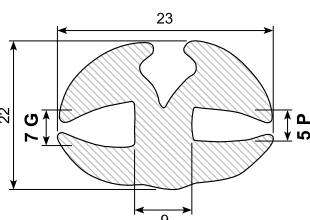
Material: EPDM black
Hardness: SH 65
Min. radius: 90 mm

32.1045S



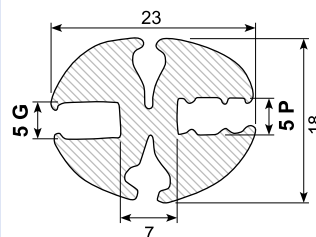
Material: EPDM black
Hardness: SH 65
Min. radius: 90 mm

32.057 *



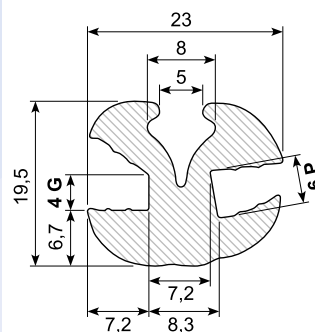
Material: EPDM black
Hardness: SH 65
Min. radius: 100 mm
Min. order: 300 m

32.255S



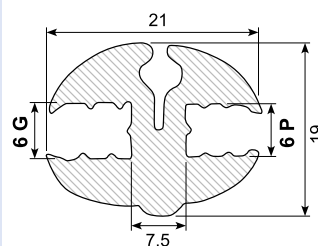
Material: EPDM black
Hardness: SH 65
Min. radius: 100 mm

32.064S



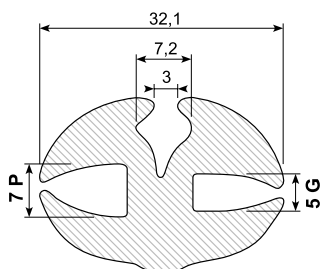
Material: EPDM black
Hardness: SH 70

32.066



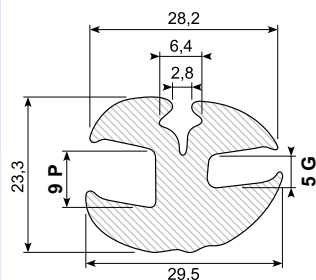
Material: EPDM black
Hardness: SH 65
Min. radius: 80 mm

32.075



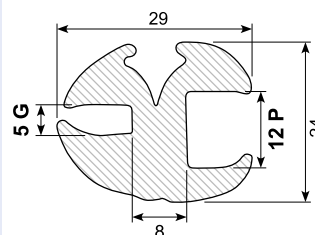
Material: EPDM black
Hardness: SH 65
Min. radius: 100 mm

32.095S



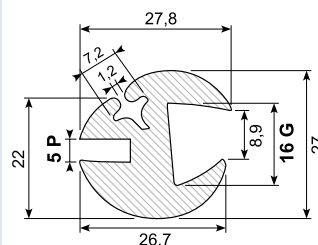
Material: EPDM black
Hardness: SH 65
Min. radius: 115 mm

32.512



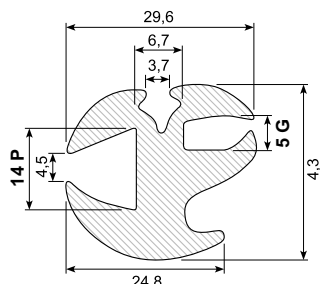
Material: EPDM black
Hardness: SH 65
Min. radius: 115 mm

32.165



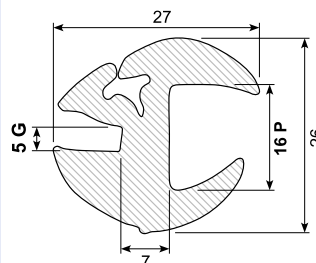
Material: EPDM black
Hardness: SH 65
Min. radius: 120 mm

32.514S *



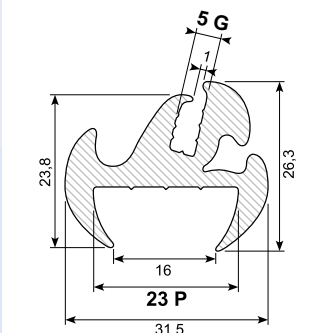
Material: EPDM black
Hardness: SH 65
Min. radius: 110 mm
Min. order: 300 m

32.516S



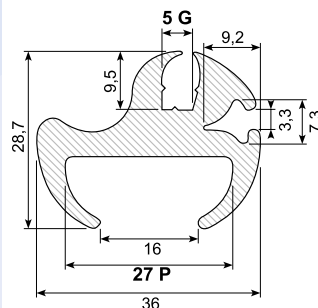
Material: EPDM black
Hardness: SH 65
Min. radius: 120 mm

32.523S



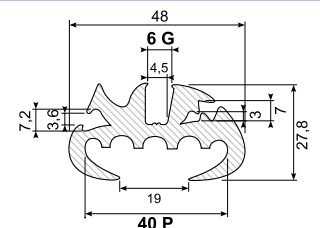
Material: EPDM black
Hardness: SH 65
Min. radius: 110 mm

32.527



Material: EPDM black
Hardness: SH 65
Min. radius: 120 mm

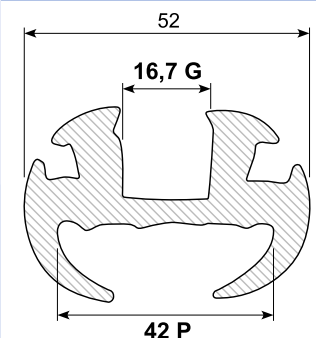
32.1037S **



2 x 32.309X - incl.
1 x 32.1307S - incl.

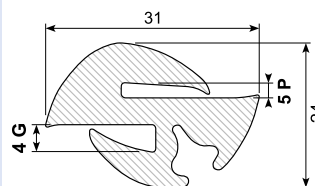
Material: EPDM black
Hardness: SH 65
Min. radius: 120 mm

32.1640 *



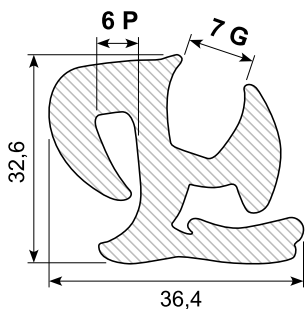
Material: EPDM black
Hardness: SH 65
Min. radius: 120 mm
Min. order: 50 m

32.754S



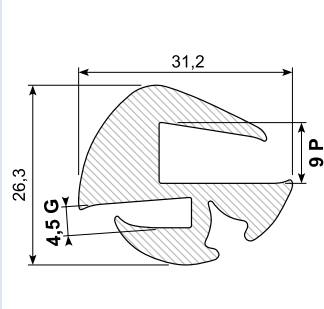
Material: EPDM black
Hardness: SH 65
Min. radius: 100 mm
Safety

32.866 *



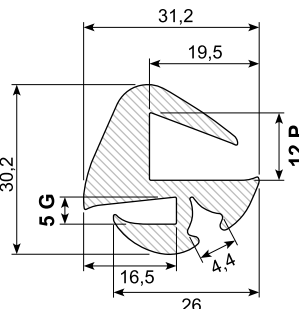
Material: EPDM black
 Hardness: SH 65
 Min. radius: 120 mm
 Safety
 Min. order: 250 m

32.795S



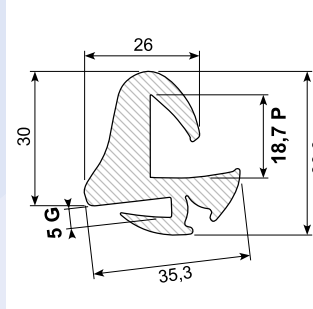
Material: EPDM black
 Hardness: SH 65
 Min. radius: 100 mm
 Safety

32.7125 *



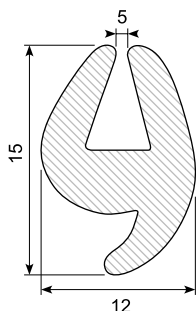
Material: EPDM black
 Hardness: SH 65
 Min. radius: 120 mm
 Safety
 Min. order: 250 m

32.7195S



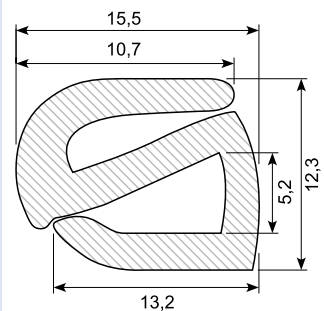
Material: EPDM black
 Hardness: SH 65
 Min. radius: 120 mm
 Safety

31.365 *



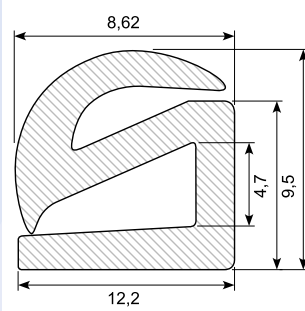
Material: EPDM black
 Hardness: SH 65
 Min. order: 1.000 m

31.116S



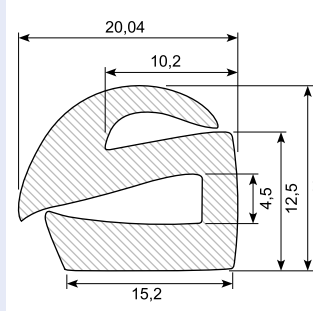
Material: EPDM black
 Hardness: SH 65

31.112S



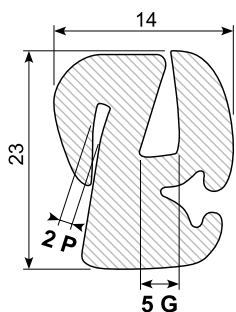
Material: EPDM black
 Hardness: SH 65

31.145S



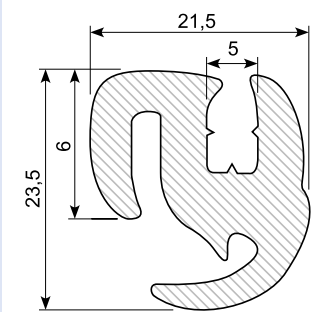
Material: EPDM black
 Hardness: SH 65

31.148



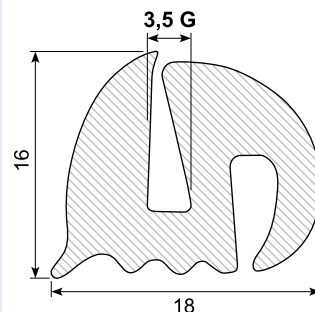
Material: EPDM black
 Hardness: SH 65

31.155



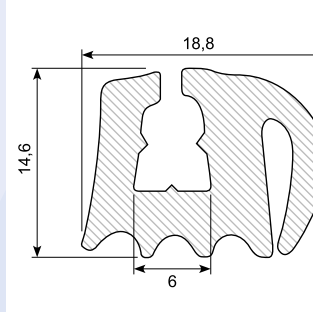
Material: EPDM black
 Hardness: SH 65

31.6701



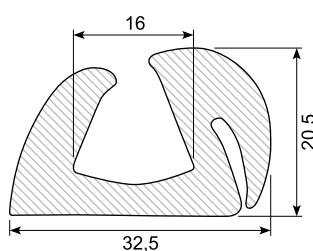
Material: EPDM black
 Hardness: SH 65

31.6703



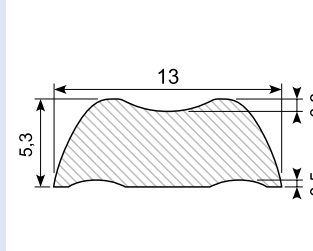
Material: EPDM black
 Hardness: SH 65

31.6702 *

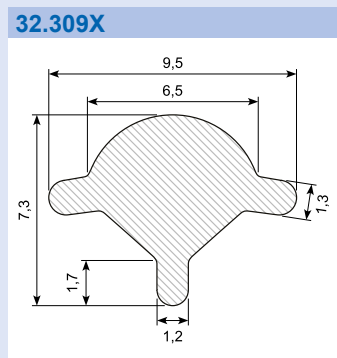


Material: EPDM black
 Hardness: SH 65
 Min. order: 500 m

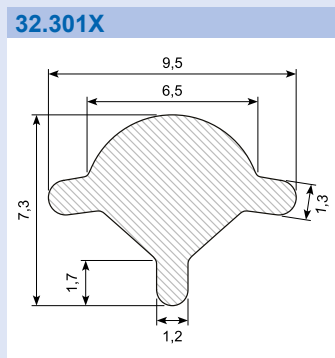
32.1307S



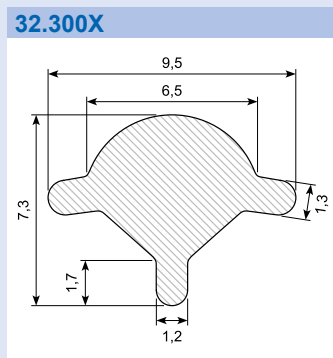
Material: EPDM black
 Hardness: SH 65



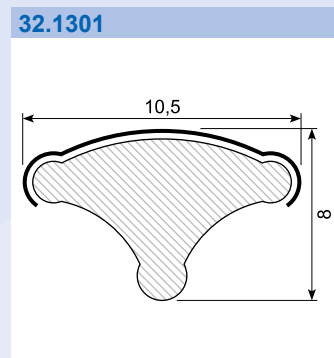
Material: PVC black



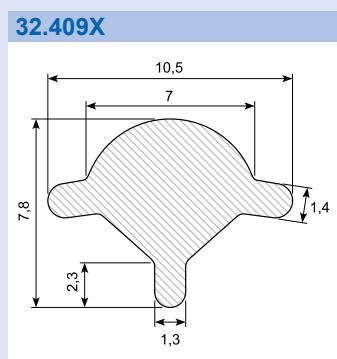
Material: PVC silver



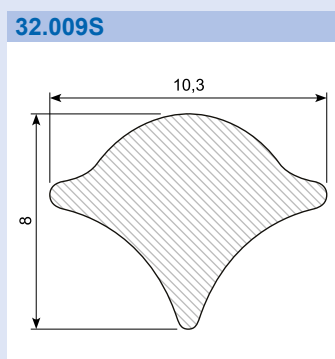
Material: PVC white



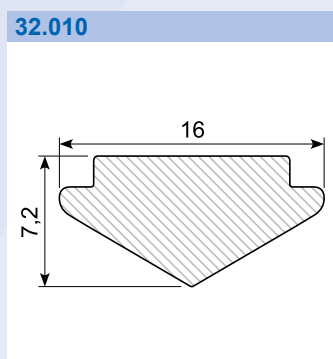
Material: PVC chrome



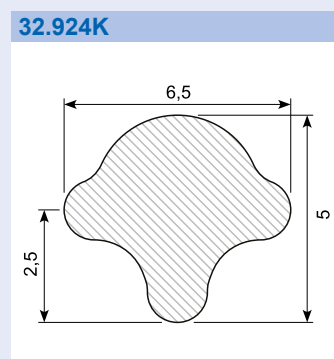
Material: PVC black



Material: EPDM black
Hardness: SH 65



Material: EPDM black
Hardness: SH 65

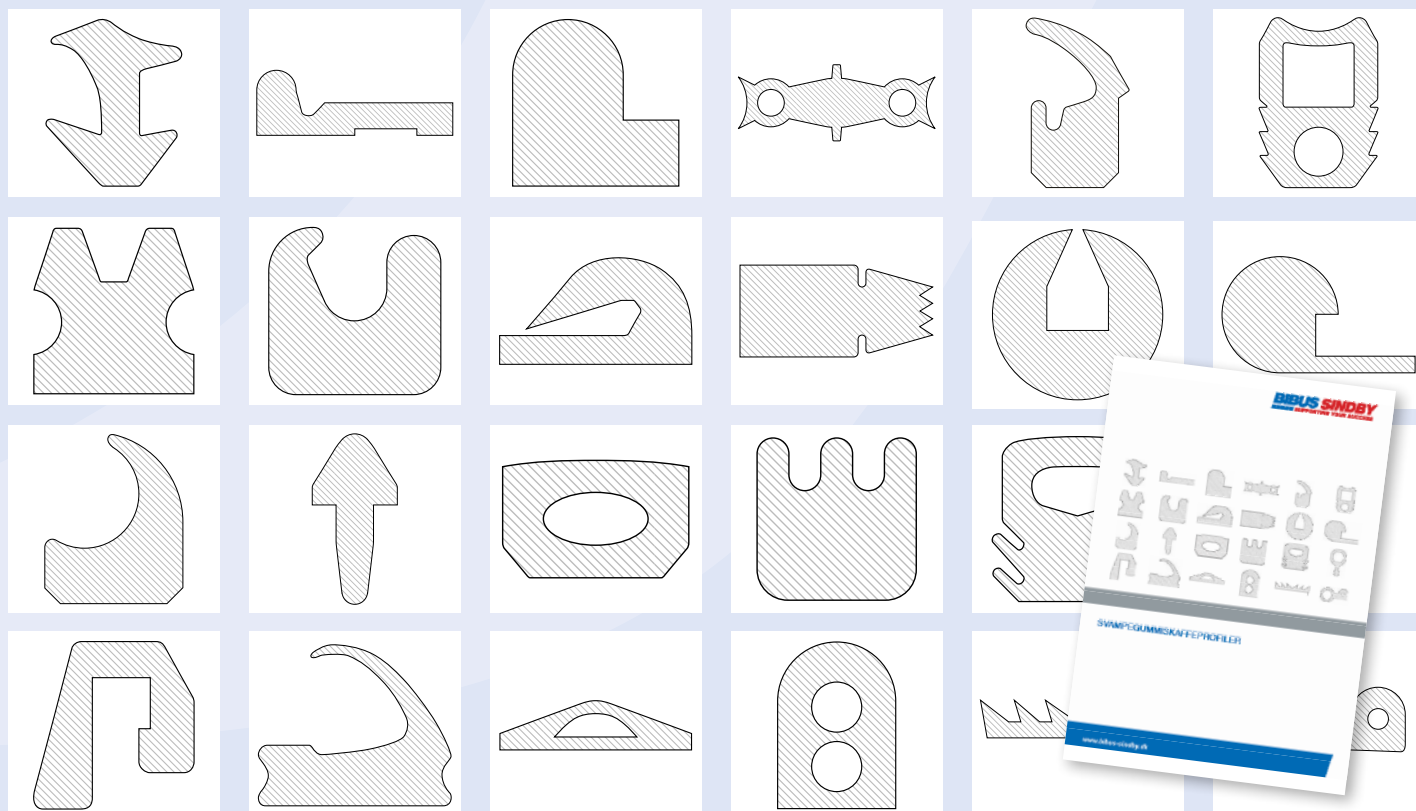


Material: EPDM black
For 32.924

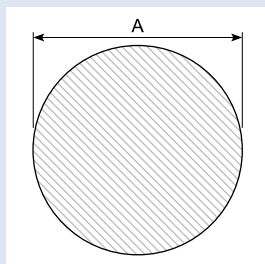
Svampegummiskaffeprofiler / Sponge rubber order profiles

Vi kan skaffe svampegummiprofiler i forskellige udformninger. Herunder finder du et lille udvalg. På vores hjemmeside kan du finde et katalog med endnu flere muligheder. Pris og varenummer på forespørgsel.

We can get you sponge rubber profiles in different shapes. Here you will find a small selection. On our webpage you can find a catalog with even more possibilities. Price and product number on request.



Svampegummi / Sponge rubber



Material: EPDM black
Hardness: SH 16 - 20
density 0,45 - 0,6

Material: CR dark grey
Hardness: SH 16 - 22
density 0,4 - 0,6

Material: NR dark grey
Hardness: SH 16 - 22
density 0,4 - 0,55

Material: EPDM dark grey
Hardness: SH 16 - 20
density 0,4 - 0,5

Art.	Ø (mm)
36.7003 *	3
36.7004	4
36.7005	5
36.7006 *	6
36.7008	8
36.7009	9
36.7010	10
36.7012	12
36.7015	15
36.7050 *	50

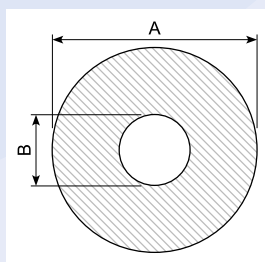
Art.	Ø (mm)
36.103CR	3
36.104CR	4
36.105CR	5
36.106CR	6
36.107CR	7
36.108CR *	8
36.110CR	10
36.112CR	12
36.115CR	15 (black)
36.118CR *	18 (black)
36.119CR *	19
36.120CR *	20
36.122CR	22

Art.	Ø (mm)
36.102 *	2
36.102.5 *	2,5
36.103 *	3
36.104 *	4
36.106 *	6
36.108	8
36.110 *	10
36.112	12
36.115 *	15
36.120 *	20
36.125 *	25
36.130 *	30

Art.	Ø (mm)
36.102E	2
36.1025E *	2,5
36.103E	3
36.1035E	3,5
36.1045E *	4,5
36.105E *	5
36.106E	6
36.106EG * (Light grey)	6
36.106ESP *	6
36.107E	7
36.108E *	8
36.108EG * (Light grey)	8
36.109E *	9
36.110E *	10
36.111E *	11
36.112E *	12
36.112EG * (Light grey)	12
36.117E	17
36.120E	20
36.122E *	22
36.125E	25
36.130EX *	30
36.135E *	35

Material: EPDM black
Hardness: SH 16 - 20
density 0,45 - 0,6

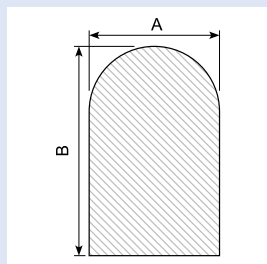
Art.	Ø (mm)	Min. order
36.7004.5X *	4,5	3.000
36.7005X *	5	3.000
36.7006X *	6	3.000
36.7007X *	7	3.000
36.7008X *	8	3.000
36.7008.5X *	8,5	3.000
36.7009X *	9	3.000
36.7010X *	10	3.000
36.7010.5X *	10,5	3.000
36.7011X *	11	3.000
36.7011.5X *	11,5	3.000
36.7012X *	12	3.000
36.7014X *	14	3.000
36.7018X *	18	
36.7028X *	28	
36.7064X *	64	



Material: EPDM black

Art.	A x B (mm)	Min. length (m)
36.3416068 *	16 x 6,8	
36.34155105 *	15,5 x 10,5	
36.344511 *	45 x 11	
36.341840 *	40 x 18	200
36.342026 *	26 x 20	1.000
36.342030 *	30 x 20	550
36.342226 *	26 x 22	1.000
36.342232 *	32 x 22	500
36.342433 *	33 x 24	500
36.342529 *	29 x 25	1.000
36.342840 *	40 x 28	250

Svampegummi / Sponge rubber



Material: NR
Hardness: SH 16 - 20
density 0,45 - 0,6

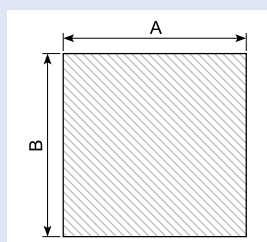
Art.	A x B (mm)	Color
36.197	4 x 6	Blue grey
36.198A *	6 x 8	Blue grey

Material: CR
Hardness: SH 16 - 20
density 0,4

Art.	A x B (mm)	Color
36.198CR *	6 x 8	Dark grey
36.200	8 x 8	Dark grey
36.202	10 x 12	Dark grey

Material: EPDM

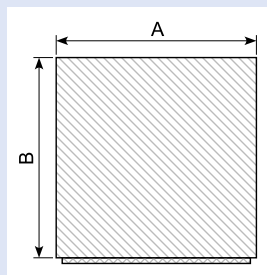
Art.	A x B (mm)	Color
36.198	6 x 8	Grey
36.198S	6 x 8	Black
36.199	6 x 10	Light grey
36.208	10 x 20	Light grey
36.3314	12 x 17	Dark grey



Material: EPDM
dark grey
Hardness: SH 14 - 16
density 0,38 - 0,42

Flere størrelser kan skaffes.
Find den komplette liste af svampegummiværktøjer på hjemmesiden.
Other sizes can be ordered.
Find complete list on our homepage.

Art.	A x B (mm)	Varenr.	A x B (mm)	Art.	A x B (mm)	Art.	A x B (mm)
35.0806 *	8 x 6	35.1515	15 x 15	35.2510	25 x 10	35.3535 *	35 x 35
35.1003 *	10 x 3	35.1605	16 x 5	35.2515	25 x 15	35.4005 *	40 x 5
35.1004 *	10 x 4	35.1608 *	16 x 8	35.2520	25 x 20	35.4010	40 x 10
35.1005	10 x 5	35.2003	20 x 3	35.2525	25 x 25	35.4020	40 x 20
35.1007 *	10 x 7	35.2005	20 x 5	35.3005 *	30 x 5	35.4030 *	40 x 30
35.1008	10 x 8	35.20055 *	20 x 5,5	35.3007	30 x 7	35.4035 *	40 x 35
35.1010	10 x 10	35.2010	20 x 10	35.3010	30 x 10	35.4040	40 x 40
35.1203 *	12 x 3	35.2012	20 x 12	35.3012 *	30 x 12	35.4505 *	45 x 5
35.1209 *	12 x 9	35.2015	20 x 15	35.3015	30 x 15	35.5005 *	50 x 5
35.1212	12 x 12	35.2018 *	20 x 18	35.3020	30 x 20	35.5006 *	50 x 6
35.1503 *	15 x 3	35.2020	20 x 20	35.3025	30 x 25	35.5010 *	50 x 10
35.1507 *	15 x 7	35.2502	25 x 2	35.3030	30 x 30	35.5010E	50 x 10
35.1510	15 x 10	35.2505	25 x 5	35.3505	35 x 5	35.6010 *	60 x 10
35.1512 *	15 x 12	35.2506 *	25 x 6	35.3510 *	35 x 10	35.6040 *	60 x 40

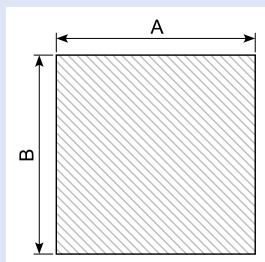


Material: EPDM
dark grey
with adhesive
Hardness: SH 14 - 16
density 0,38 - 0,42

Flere størrelser kan skaffes.
Find den komplette liste af svampegummiværktøjer på hjemmesiden.
Other sizes can be ordered.
Find complete list on our homepage.

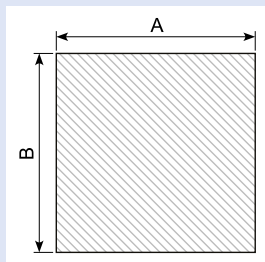
Art.	A x B (mm)	Varenr.	A x B (mm)	Art.	A x B (mm)	Art.	A x B (mm)
35.0806K *	8 x 6	35.1510K	15 x 10	35.2207K *	22 x 7	35.3510K *	35 x 10
35.0808K *	8 x 8	35.1512K *	15 x 12	35.2505K	25 x 5	35.3535K *	35 x 35
35.1003K	10 x 3	35.1515K	15 x 15	35.2506K *	25 x 6	35.4003K	40 x 3
35.1004K *	10 x 4	35.1605K *	16 x 5	35.2508K *	25 x 8	35.4005K	40 x 5
35.1005K	10 x 5	35.1608K *	16 x 8	35.2510K	25 x 10	35.4010K	40 x 10
35.1007K *	10 x 7	35.1708K *	17 x 8	35.2515K	25 x 15	35.4012K *	40 x 12
35.1008K	10 x 8	35.1803K *	18 x 3	35.2520K	25 x 20	35.4020K *	40 x 20
35.1010K	10 x 10	35.1808KX	18 x 8	35.2525K	25 x 25	35.4030K	40 x 30
35.1203K *	12 x 3	35.18053K *	18 x 5,3	35.2806K	28 x 6	35.4035K	40 x 35
35.1204K *	12 x 4	35.1809K *	18 x 9	35.3003K	30 x 3	35.4040K	40 x 40
35.1204KL	12 x 4	35.1904K *	19 x 4	35.3005K	30 x 5	35.4505K *	45 x 5
35.1206K *	12 x 6	35.2003K	20 x 3	35.3006K	30 x 6	35.5006K	50 x 6
35.1208K *	12 x 8	35.2005K	20 x 5	35.3007K *	30 x 7	35.5010K	50 x 10
35.1209K *	12 x 9	35.2006K	20 x 6	35.3010K	30 x 10	35.5020K *	50 x 20
35.1212K	12 x 12	35.20055K *	20 x 5,5	35.3012K	30 x 12	35.6002K	60 x 2
35.1503K *	15 x 3	35.2010K *	20 x 10	35.3015K	30 x 15	35.8020K *	80 x 20
35.1504K	15 x 4	35.2010KL	20 x 10	35.3020K	30 x 20	35.10020K *	100 x 20
35.1505K	15 x 5	35.2012K	20 x 12	35.3025K *	30 x 25		
35.1506K	15 x 6	35.2015K	20 x 15	35.3030K	30 x 30		
35.1507K *	15 x 7	35.2020K	20 x 20	35.3505K *	35 x 5		

Svampegummi / Sponge rubber



Material: EPDM
dark grey
Hardness: SH 16 - 20
density 0,4 - 0,5

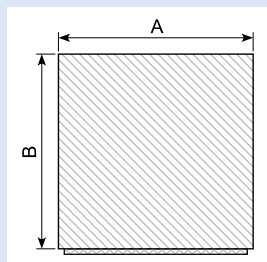
Art.	A x B (mm)	Art.	A x B (mm)	Art.	A x B (mm)
36.1010E (black)	10 x 10	36.2010E	20 x 10	36.4015E	40 x 15
36.1210E *	12 x 10	36.2510E	25 x 10	36.4020E *	40 x 20
36.1503E *	15 x 3	36.2520E *	25 x 20	36.4025E *	40 x 25
36.1505E	15 x 5	36.2525E *	25 x 25	36.4030E	40 x 30
36.1510E	15 x 10	36.3010E	30 x 10	36.5020E *	50 x 20
36.1512E *	15 x 12	36.3025E	30 x 25	36.6030E *	60 x 30
36.1612E *	16 x 12	36.3520E	35 x 20		
36.1815EG *	18 x 15	36.4010E *	40 x 10		



Material: NR
dark grey
Hardness: SH 16 - 20
density 0,4 - 0,5

Art.	A x B (mm)	Art.	A x B (mm)	Art.	A x B (mm)
36.0505 *	5 x 5	36.1605 *	16 x 5	36.3005	30 x 5
36.0806 *	8 x 6	36.1808G *	18 x 8	36.3010	30 x 10
36.1003	10 x 3	36.1816 *	18 x 16	36.3015	30 x 15
36.1005 *	10 x 5	36.2002 *	20 x 2	36.3020	30 x 20
36.1005G (light grey) *	10 x 5	36.2003 *	20 x 3	36.3030	30 x 30
36.1007 *	10 x 7	36.2005	20 x 5	36.3516 *	35 x 16
36.1008 *	10 x 8	36.2010	20 x 10	36.4010 *	40 x 10
36.1010 (black)	10 x 10	36.2015	20 x 15	36.4012 *	40 x 12
36.1205 *	12 x 5	36.2020	20 x 20	36.4015 *	40 x 15
36.1206 *	12 x 6	36.2503 *	25 x 3	36.4025	40 x 25
36.1210	12 x 10	36.2505	25 x 5	36.5010 *	50 x 10
36.1503 *	15 x 3	36.2510	25 x 10	36.5020	50 x 20
36.1510	15 x 10	36.2515	25 x 15	36.5025 *	50 x 25
36.1512 *	15 x 12	36.2520 *	25 x 20	36.5030	50 x 30
36.1515	15 x 15	36.2525	25 x 25	36.6030 *	60 x 30
36.1604 *	16 x 4	36.3003 *	30 x 3		

Svampegummi / Sponge rubber

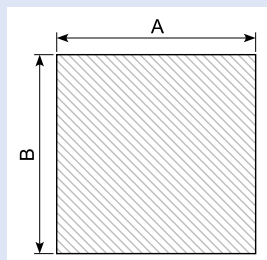


Material: Silicone white
Hardness: SH 16 - 20
density 0,4 - 0,5

Material: Silicone black
Hardness: SH 16 - 20
density 0,4 - 0,5

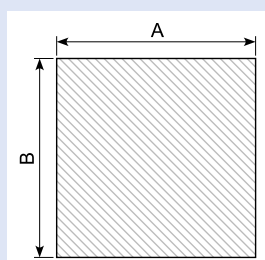
Art.	A x B (mm)	Art.	A x B (mm)	Art.	A x B (mm)
36.1003SIH *	10 x 3	36.2003SIH *	20 x 3	36.2520SIH	25 x 20
36.1006SIH *	10 x 6	36.2005SIH *	20 x 5	36.2525SIH	25 x 25
36.1010SIH *	10 x 10	36.2010SIH *	20 x 10	36.3005SIHKF *	30 x 5
36.1212SIH	12 x 12	36.2010SIHK* (with adhesive)	20 x 10	36.3010SIH *	30 x 10
36.1505SIH	15 x 5	36.2015SIH *	20 x 15	36.3020SIH *	30 x 20
36.1512SIH *	15 x 12	36.2020SIH *	20 x 20	36.4012SIH *	40 x 12
36.1610SIH *	16 x 10	36.2505SIH	25 x 5	36.5005SIH *	50 x 5
36.1616SIH *	16 x 16	36.2510SIH	25 x 10		
36.1812SIH *	18 x 12	36.2515SIH *	25 x 15		

Art.	A x B (mm)
36.2010SIS *	20 x 10
36.2520SIS *	25 x 20



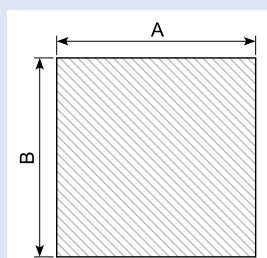
Material: CR black
Hardness: SH 18 - 25
density 0,5 - 0,75

Art.	A x B (mm)
36.1010CR *	10 x 10
36.2010CR *	20 x 10
36.2020CR *	20 x 20
36.3015CR	30 x 15
36.4020CR *	40 x 20
36.5005CR *	50 x 5



Material: Economy
EPDM, Black
Hardness: Density 0,45

Art.	A x B (mm)	Min. order (m)	
36.1005X *	10 x 5	3.000	
36.1505X *	15 x 5	3.000	
36.2005X *	20 x 5	3.000	
36.2505X *	25 x 5	3.000	
36.3005X *	30 x 5		
36.1406X *	14 x 6	3.000	
36.1007X *	10 x 7	3.000	
36.1507X *	15 x 7	3.000	
36.2507X *	25 x 7	3.000	
36.2008X	20 x 8		
36.2508X *	25 x 8	3.000	
36.1010X *	10 x 10	3.000	
36.1210X *	12 x 10	3.000	
36.2010X	20 x 10		
36.4010X *	40 x 10	2.000	
36.5010X *	50 x 10	1.000	
36.12511X *	12,5 x 11	3.000	
36.1212X *	12 x 12	3.000	
36.1612X *	16 x 12	3.000	
36.2318X *	23 x 18	2.000	
36.3015X *	30 x 15	1.500	
36.3515X *	35 x 15	1.500	
36.4020X	40 x 20		
36.3003X *	30 x 3	3.000	
36.3006X *	30 x 6	3.000	
36.3020X *	30 x 20	1.500	Soft corners
36.3305X *	33 x 5	3.000	
36.3520X	35 x 20	1.000	Soft corners
36.5005X *	50 x 5	2.000	
36.2512X	25 x 12	2.000	Soft corners



Material: NBR

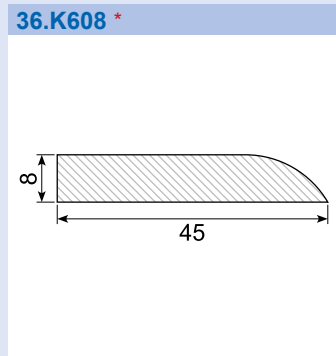
Art.	A x B (mm)
36.6020NBR	60 x 20



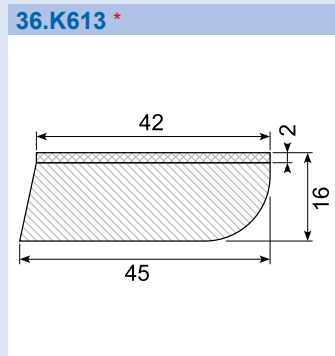
Sponge rubber plates
Material: EPDM / NR
Color: Dark grey

Art.	Length (mm)	Thickness (mm)	Width (mm)	Quality
38.152EPDM	1.000	2	1.000	EPDM
38.153EPDM	1.000	3	1.000	EPDM
38.154EPDM	1.000	4	1.000	EPDM
38.155EPDM	1.000	5	1.000	EPDM
38.156EPDM	1.000	6	1.000	EPDM
38.158EPDM	1.000	8	1.000	EPDM
38.160EPDM	1.000	10	1.000	EPDM
38.162EPDM	1.000	12	1.000	EPDM
38.165EPDM	1.000	15	1.000	EPDM
38.170EPDM	1.000	20	1.000	EPDM
38.175EPDM	1.000	25	1.000	EPDM
38.180NR *	1.000	30	1.000	NR

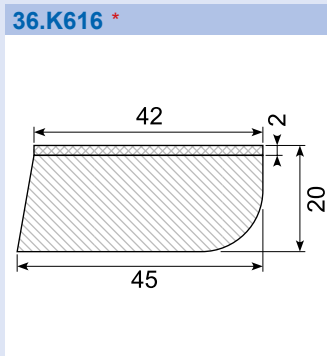
Svampegummi i svøb (lugepakninger)



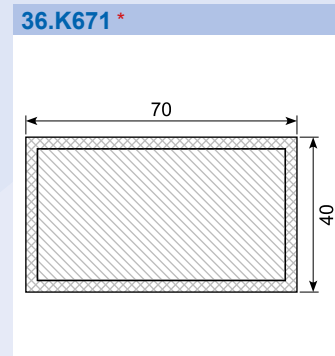
Color: Black



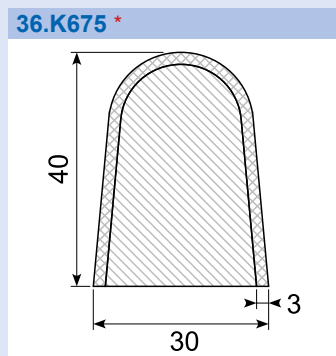
Color: Black



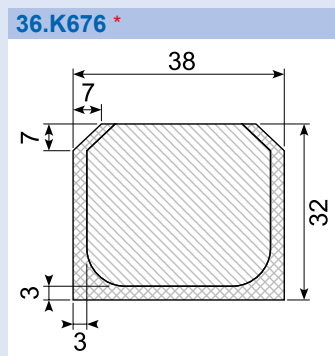
Color: Black



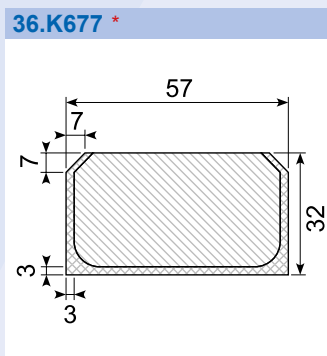
Color: Black



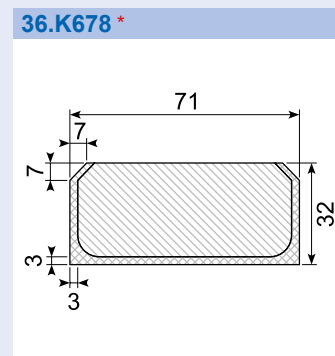
Color: Black



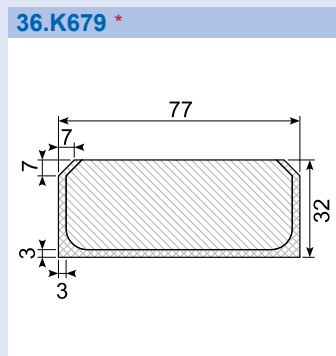
Color: Black



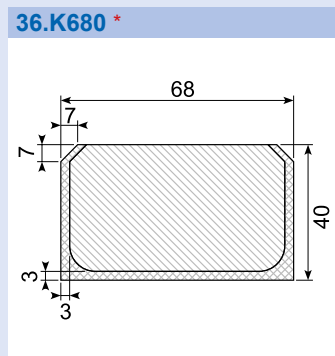
Color: Black



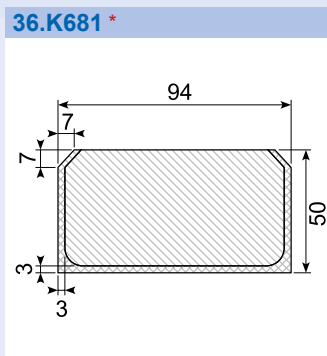
Color: Black



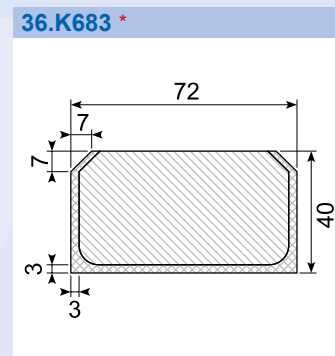
Color: Black



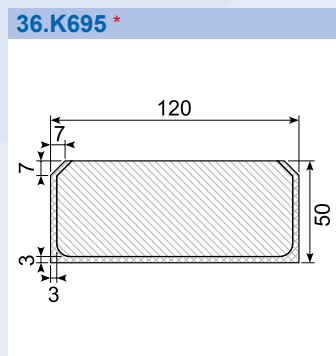
Color: Black



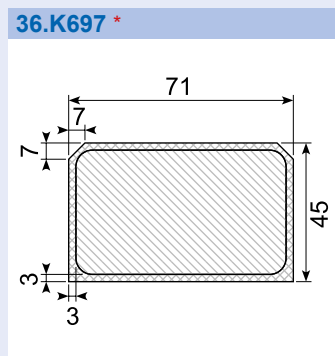
Color: Black



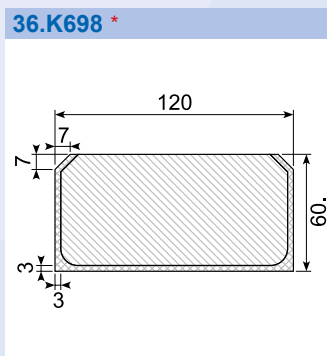
Color: Black



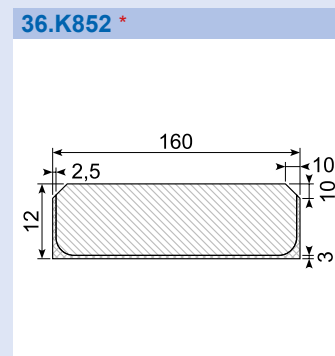
Color: Black



Color: Black

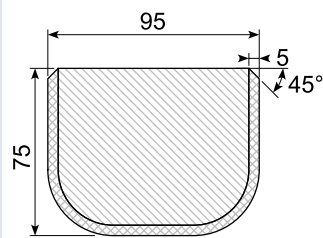


Color: Black



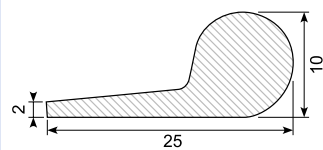
Color: Black

36.K853 *



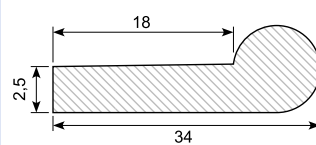
Color: Black

36.3351 *



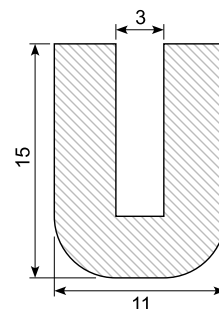
Material: EPDM black
Hardness: SH 14 - 16
density 0,38 - 0,4
Min. order: 500 m

36.3354 *



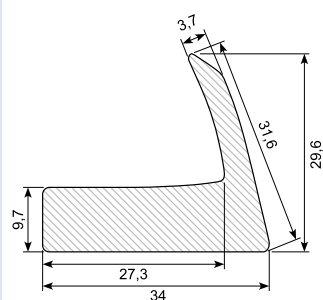
Material: NR dark grey
Hardness: SH 16 - 20
density 0,4
Min. order: 500 m

36.3813



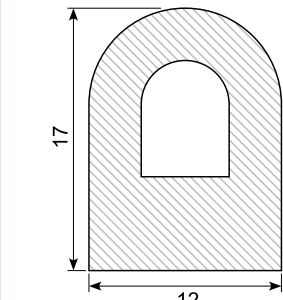
Material: EPDM dark grey
Hardness: SH 16 - 20
density 0,4 - 0,45

36.B380



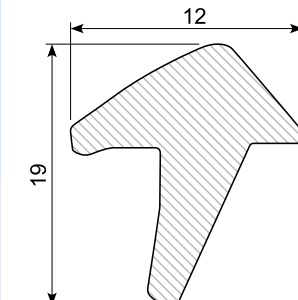
Material: EPDM
Length: 3 m

36.3315



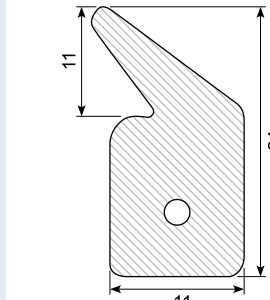
Material: EPDM black
Hardness: SH 18 - 20
density 0,45 - 0,55

36.3504



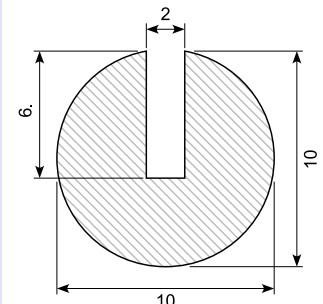
Material: EPDM dark grey
Hardness: SH 14 - 16
density 0,38 - 0,42

36.3881



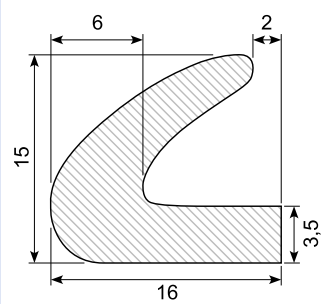
Material: EPDM grey
Hardness: SH 16 - 20
density 0,4 - 0,5

36.14044 *



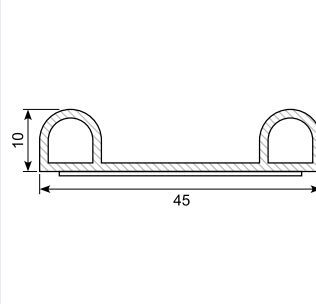
Material: EPDM
Min. order: 500 m

36.3704



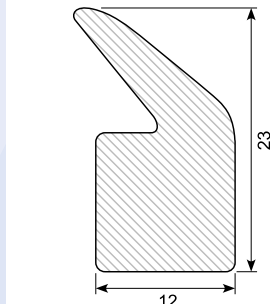
Material: NR dark grey
Hardness: SH 20 - 25
density 0,55 - 0,65

30.13144



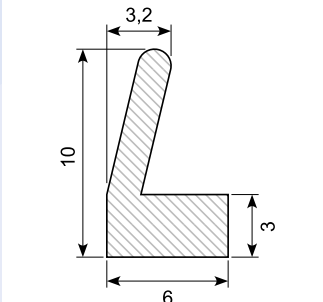
Material: EPDM
with adhesive

36.3882



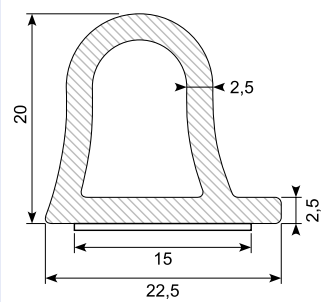
Material: CR, black

36.3897



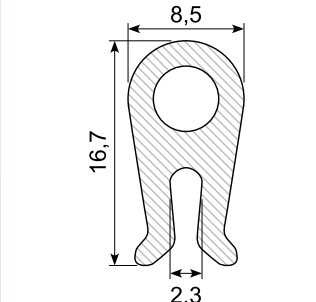
Material: EPDM light grey

30.13315 *



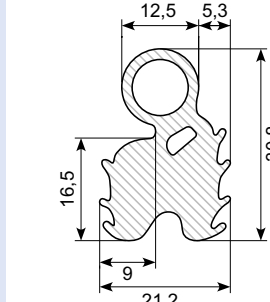
Hardness: Density 0,7
Min. order: 1.000 m
With adhesive

30.9884S *



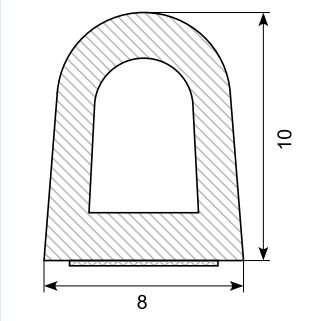
Material: EPDM
Min. order: 3.000 m

30.E368 **



Material: EPDM, black

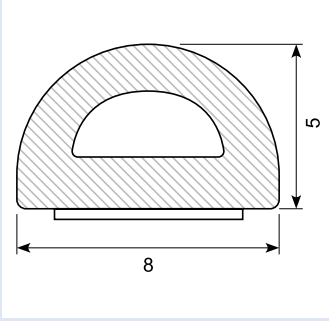
36.730810



Material: Black EPDM, with adhesive

Density: 0,35 - 0,45

36.730805H * **

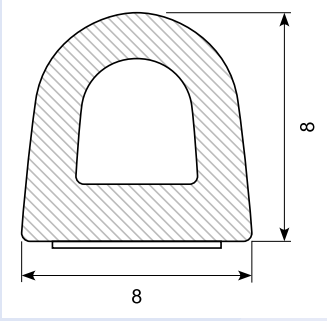


Material: White EPDM, with adhesive

Density: 0,25 - 0,40

Min. 21.600 m

36.730808 * **

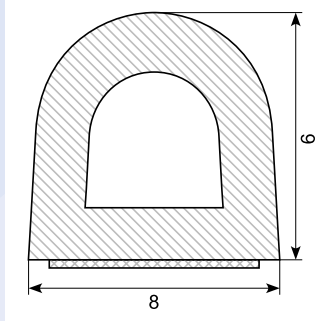


Material: Black EPDM, with adhesive

Density: 0,25 - 0,35

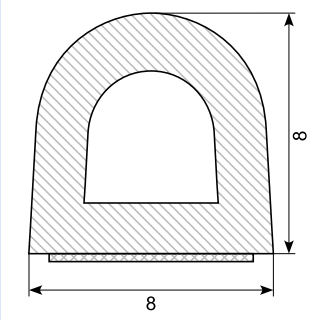
Min. 21.600 m

36.9086S



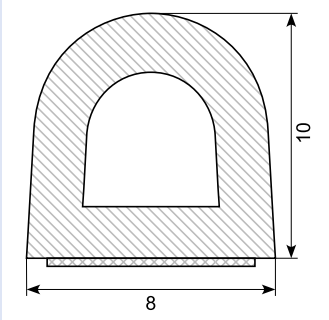
Material: Black EPDM with adhesive

36.9088S



Material: Black EPDM with adhesive

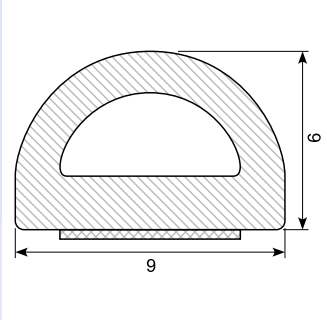
36.90810



Material: Black EPDM with adhesive

Density: 0,35 - 0,45

36.730906 - 36.730906H *

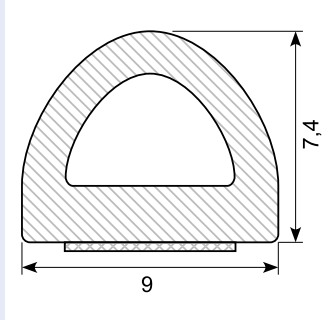


Material: Black/white EPDM with adhesive

Density: 0,25 - 0,35

White min. 4800 m

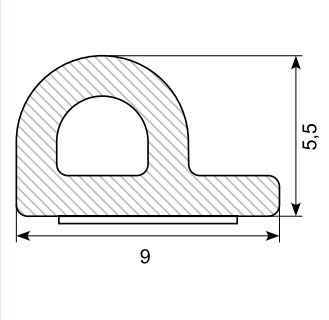
36.730907 - 36.730907G



Material: Black/grey EPDM with adhesive

Density: 0,25 - 0,35

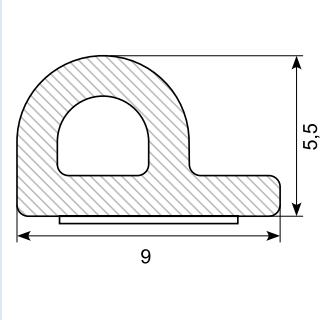
36.730955



Material: Black EPDM with adhesive

Density: 0,25 - 0,35

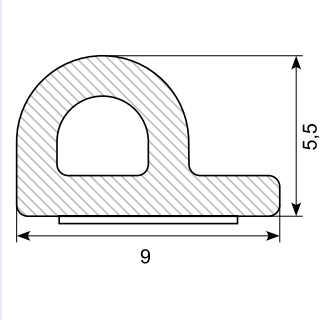
36.730955G/36.730955H/36.730955B



Material: Grey/white/brown EPDM

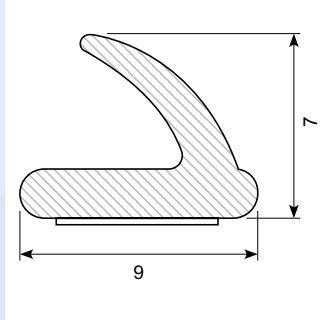
Density: 0,25 - 0,35

36.80955S



Material: Black EPDM with adhesive

36.740907H * **

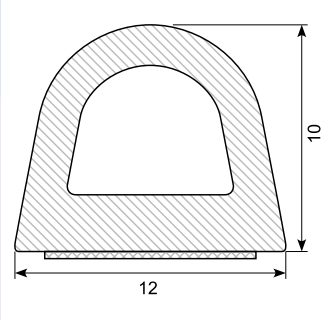


Material: White EPDM with adhesive

Density: 0,35 - 0,45

Min. 21.600 m

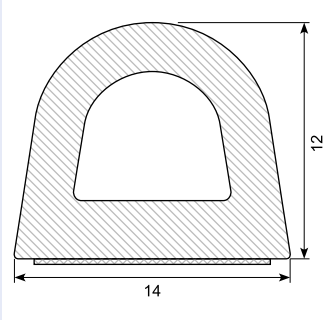
36.731210 - 36.731210H



Material: Black EPDM with adhesive

Density: 0,25 - 0,35

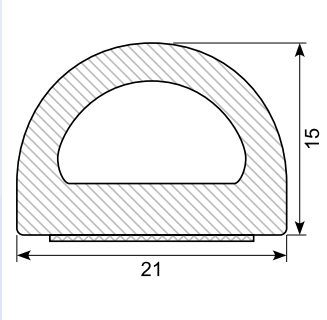
36.731412D



Material: Black EPDM with adhesive

Density: 0,25 - 0,35

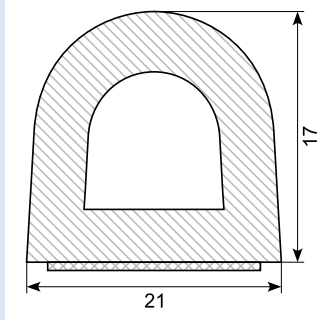
36.732115



Material: Black EPDM with adhesive

Density: 0,45 - 0,55

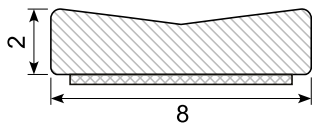
36.92117



Material: Black EPDM with adhesive

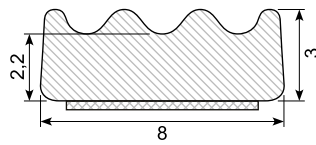
Glasbånd / Window seals

36.720802



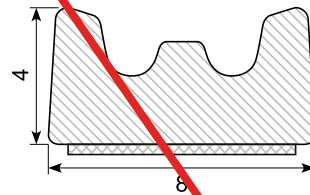
Material: EPDM black
Density: 0,35 - 0,45
With adhesive

36.720803



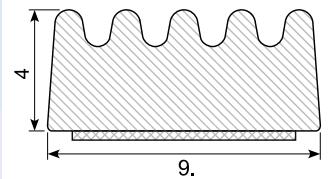
Material: EPDM black
Density: 0,35 - 0,45
With adhesive

~~**36.720804**~~



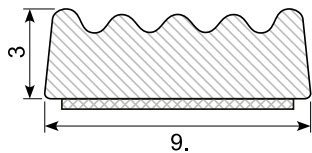
~~Material: EPDM black
Density: 0,35 - 0,45
With adhesive~~

36.720904



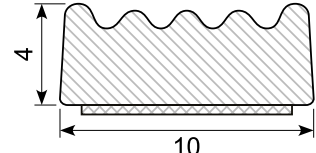
Material: EPDM black
Density: 0,35 - 0,45
With adhesive

36.720903



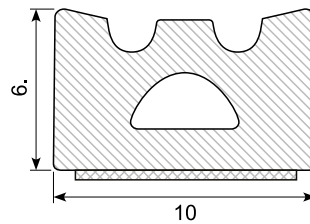
Material: EPDM black
Density: 0,35 - 0,45
With adhesive

36.721004



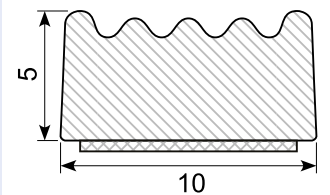
Material: EPDM black
Density: 0,35 - 0,45
With adhesive

36.721006



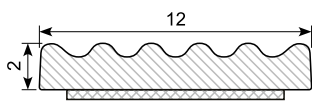
Material: EPDM black
Density: 0,35 - 0,45
With adhesive

36.721005



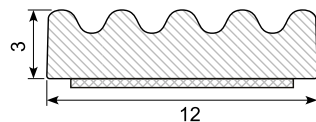
Material: EPDM black
Density: 0,35 - 0,45
With adhesive

36.721202



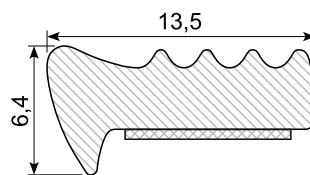
Material: EPDM black
Density: 0,35 - 0,45
With adhesive

36.721203



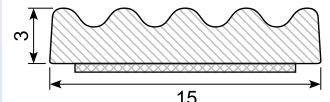
Material: EPDM black
Density: 0,35 - 0,45
With adhesive

36.7213564



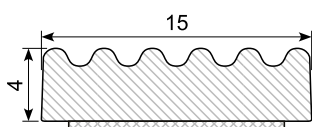
Material: EPDM black
Density: 0,35 - 0,45
With adhesive

36.721503



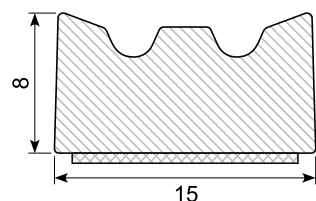
Material: EPDM black
Density: 0,35 - 0,45
With adhesive

36.721504



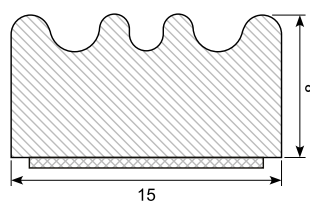
Material: EPDM black
Density: 0,35 - 0,45
With adhesive

36.721508



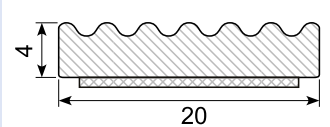
Material: EPDM black
Density: 0,35 - 0,45
With adhesive

36.721508B



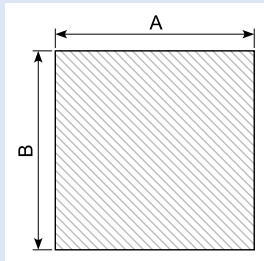
Material: EPDM black
Density: 0,25 - 0,35
With adhesive

36.722004



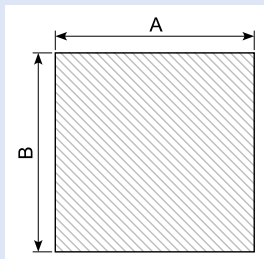
Material: EPDM black
Density: 0,35 - 0,45
With adhesive

Cellegummi / Cellular rubber



Material: EPDM black
With adhesive
Hardness: SH 25
density 0,14

Art.	A x B (mm)	Art.	A x B (mm)	Art.	A x B (mm)	Art.	A x B (mm)
36.60403*	4 x 3	36.61005	10 x 5	36.61530*	15 x 30	36.63005	30 x 5
36.60404	4 x 4	36.61008	10 x 8	36.61603	16 x 3	36.63010	30 x 10
36.60405	4 x 5	36.61010	10 x 10	36.61710*	17 x 10	36.63012	30 x 12
36.60503	5 x 3	36.61203	12 x 3	36.61808*	18 x 8	36.64003	40 x 3
36.60505	5 x 5	36.61204*	12 x 4	36.62002	20 x 2	36.64005*	40 x 5
36.60605*	6 x 5	36.61205	12 x 5	36.62003	20 x 3	36.64010	40 x 10
36.60802	8 x 2	36.61310*	13 x 10	36.62004	20 x 4	36.64015	40 x 15
36.60803	8 x 3	36.61502*	15 x 2	36.62005	20 x 5	36.65003	50 x 3
36.60804	8 x 4	36.61503	15 x 3	36.62008	20 x 8	36.65010	50 x 10
36.60805*	8 x 5	36.61505	15 x 5	36.62010	20 x 10	36.66004*	60 x 4
36.60808	8 x 8	36.61506	15 x 6	36.62305*	23 x 5	36.66004X	60 x 4
36.61001	10 x 1	36.61508	15 x 8	36.62502	25 x 2	36.67502*	75 x 2
36.61002	10 x 2	36.61510	15 x 10	36.62506	25 x 6		
36.61003	10 x 3	36.61512	15 x 12	36.62510	25 x 10		
36.61004	10 x 4	36.61518	15 x 18	36.62525*	25 x 25		



Material: CR
with standard
adhesive.
CR-5952 tape
without glassfiber
Hardness: SH 25 density 0,14

Art.	A x B (mm)	Art.	A x B (mm)	Art.	A x B (mm)
36.60802CR	8 x 2	36.62004CR*	20 x 4	36.64005CR*	40 x 5
36.60804CR	8 x 4	36.2005CR*	20 x 5	36.65005CR*	50 x 5
36.60808CR*	8 x 8	36.2502CR*	25 x 2	36.65005CR-5952*	50 x 5
36.61003CR*	10 x 3	36.63005CR-5952*	30 x 5	36.65007CR*	50 x 7
36.61010CR*	10 x 10	36.63030CR	30 x 30	36.68005CR*	80 x 5
36.61609CR*	16 x 9	36.63204CR*	32 x 4	36.68005CR-5952*	80 x 5

Cellular rubber plates,
No adhesive
Material: EPDM
Color: Black

Art. **	Length (mm)	Thickness (mm)	Width (mm)	Quality
38.27700002	1.000	2	20.000	EPDM
38.27700003	1.000	3	20.000	EPDM
38.27700004	1.000	4	20.000	EPDM
38.27700005	1.000	5	20.000	EPDM
38.27700006	1.000	6	20.000	EPDM
38.27700008	1000	8	20.000	EPDM
38.27700010	1.000	10	20.000	EPDM
38.27700015	1.000	15	10.000	EPDM
38.27700020*	1.000	20	10.000	EPDM
38.27700025*	1.000	25	2.000	EPDM
38.188*	1.000	40	2.000	EPDM
38.189*	1.000	50	2.000	EPDM

Cellular rubber plates
With adhesive
Material: EPDM
Color: Black

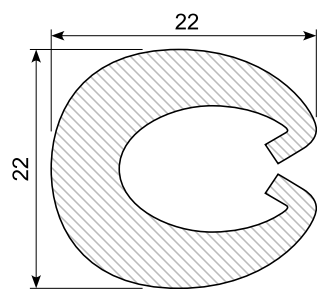
Art.	Length (mm)	Thickness (mm)	Width (mm)	Quality
38.160E/K	1.000	10	2.000	EPDM
38.170E/K*	1.000	20	2.000	EPDM
38.175E/K*	1.000	25	2.000	EPDM

Cellular rubber plates
Material: CR
Color: Black

Art.	Length (mm)	Thickness (mm)	Width (mm)	Quality
38.190*	1.000	10	1.400	CR
38.191*	1.000	15	1.400	CR

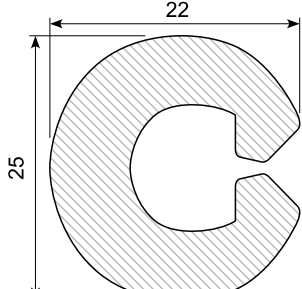
Fenderlister / Fender lists

34.601* / 34.601G*



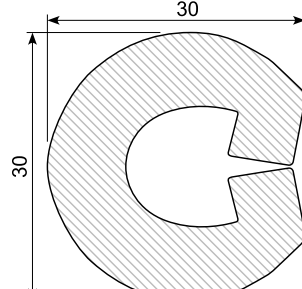
Material: PVC black
Min. order: 5 m
34.601G* PVC grey
Min. order: 50-500m

34.602* / 34.602G*



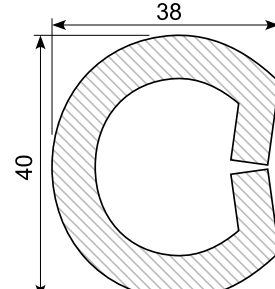
Material: PVC black
Min. order: 5 m
34.602G* PVC grey
Min. order: 50 m

34.603*/ 34.603G



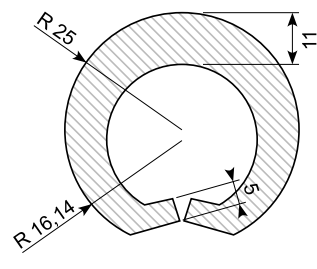
Material: PVC black
34.603G Grey

34.604*



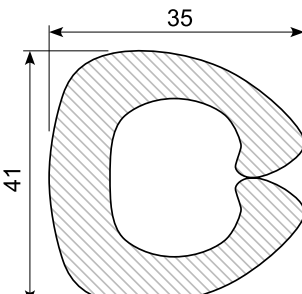
Material: PVC black
Min. order: 5 m

34.7102-50*



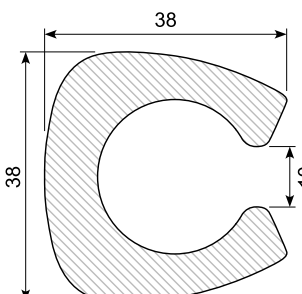
Material: PVC black
Min. order: 5 m

34.614*



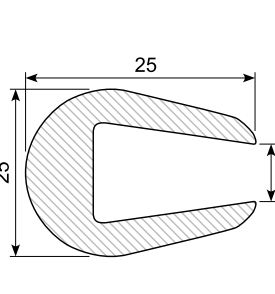
Material: PVC black
Min. order: 50 m

34.62105*



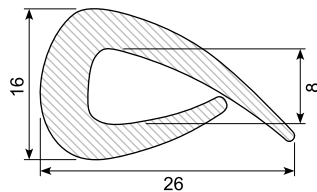
Material: EPDM black
Min. order: 5 m

34.3032*



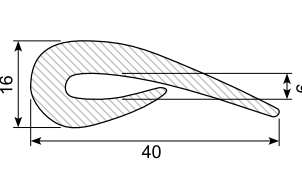
Material: PVC black
Min. order: 51 m

34.641* **



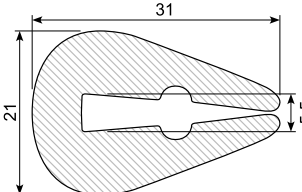
Material: PVC black
Min. order: 50 m

34.643*



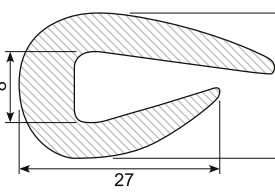
Material: PVC black
Min. order: 50 m

34.644*



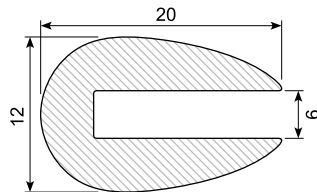
Material: PVC black
Min. order: 50 m

34.620010*



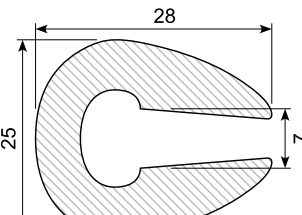
Material: PVC black
Min. order: 5 m

34.620040



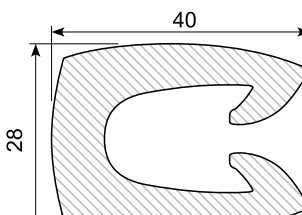
Material: PVC black
Min. order: 5 m

34.620210



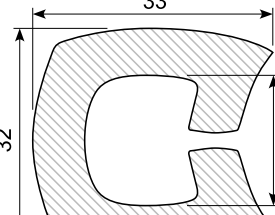
Material: PVC black
Min. order: 5 m

34.613



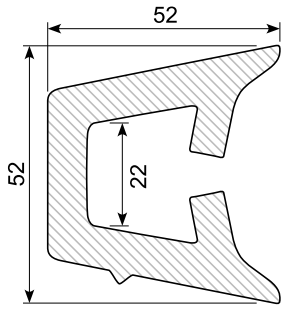
Material: PVC black

34.7196*



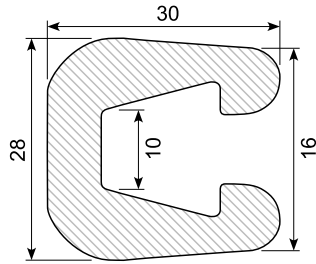
Material: PVC black
Min. order: 20 m

34.7199 *



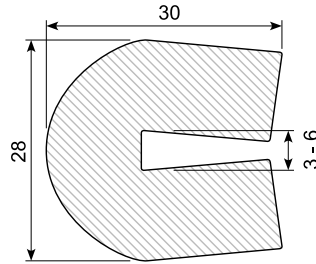
Material: PVC black
Min. order: 25 m

34.620140 *



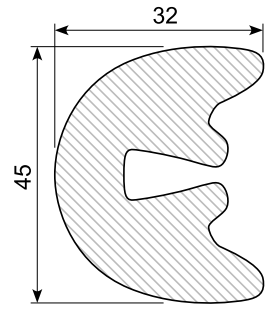
Material: PVC black
Min. order: 5 m

34.3011 *



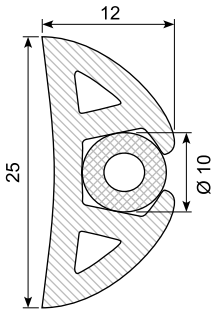
Material: PVC black

34.62110 *



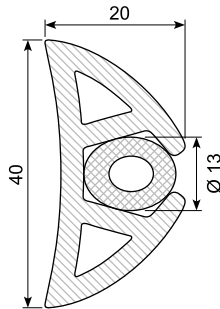
Material: PVC black
Min. order: 5 m

34.62039 *



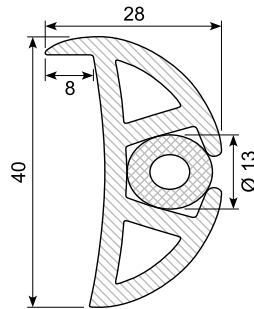
Material: PVC black
Min. order: 5 m

34.62040



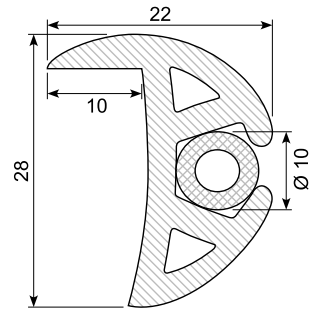
Material: PVC black

34.620420 *



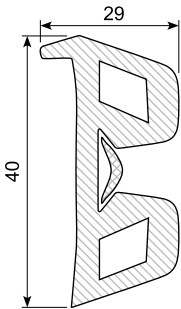
Material: PVC black
Min. order: 5 m

34.62041



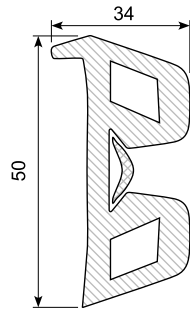
Material: PVC black

34.624 *



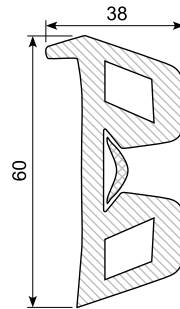
Material: PVC black
Min. order: 50 m

34.625 *



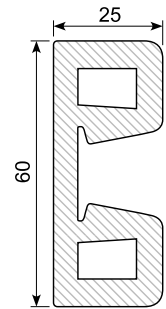
Material: PVC black
Min. order: 5 m

34.626 *



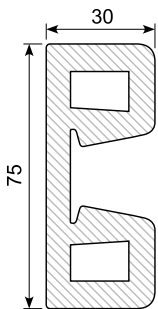
Material: PVC black
Min. order: 5 m

34.636



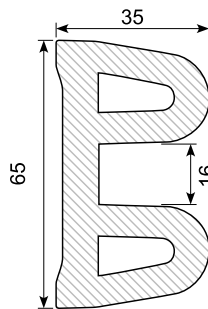
Material: PVC black

34.637 *



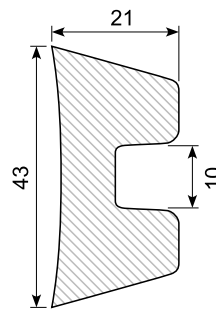
Material: PVC black
Min. order: 20 m

34.3020



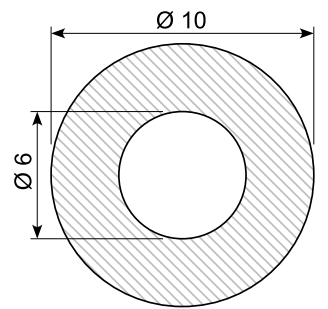
Material: PVC black

34.7514 *



Material: PVC black
Min. order: 5 m

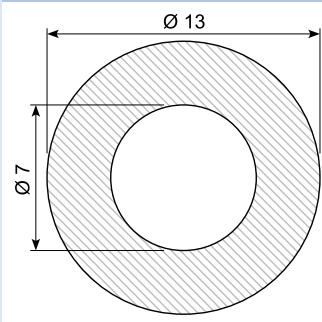
34.62610S *



Material: PVC black
Min. order: 5 m

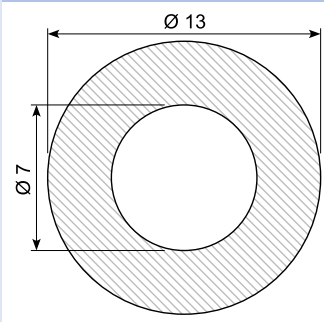
Fenderlister / Fender lists

34.62713H *



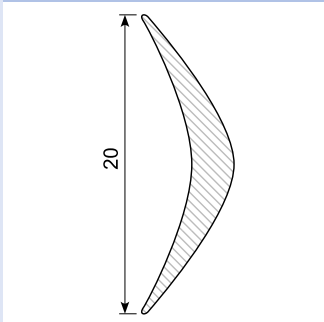
Material: PVC white
Min. order: 5 m

34.62713S



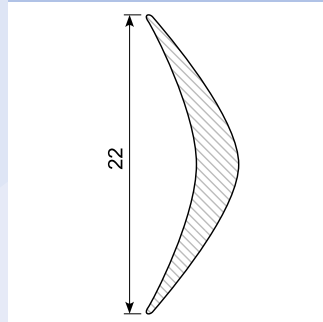
Material: PVC black
Min. order: 5 m

34.677



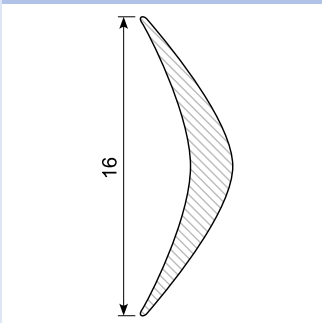
Material: PVC white

34.678 *



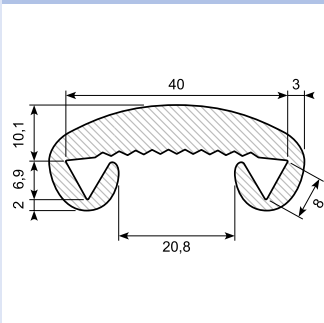
Material: PVC white
Min. order: 5 m

34.676S *



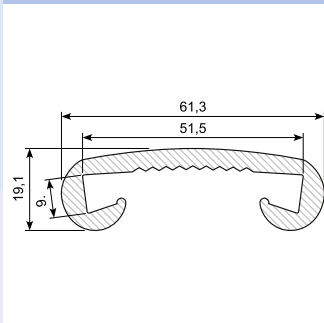
Material: PVC black for 34.624
and 34.7106
Min. order: 300 m

34.608X



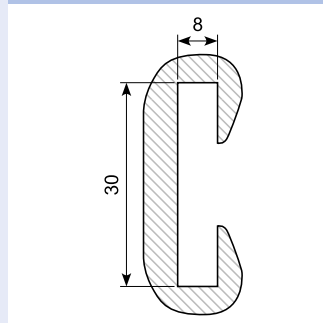
Material: PVC black

34.609X



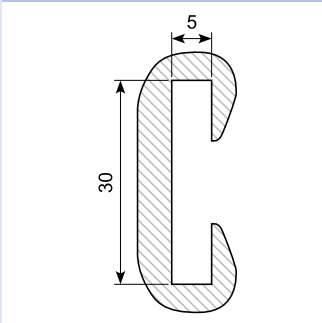
Material: PVC black

34.606 *



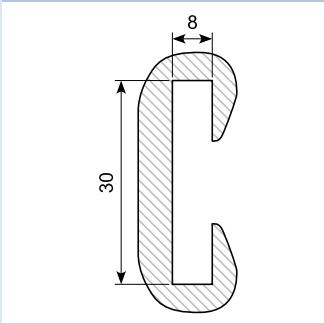
Material: PVC black
Min. order: 500 m

34.607 *



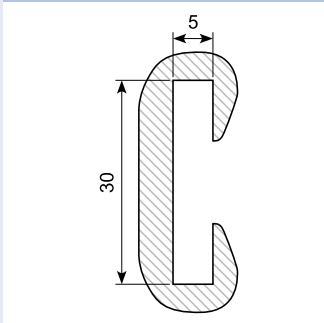
Material: PVC black
Min. order: 100 m

34.606X *



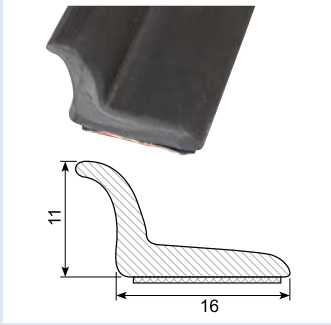
Material: PVC black
Min. order: 500 m

34.607X *



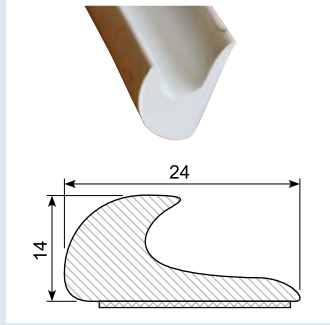
Material: PVC black
Min. order: 500 m

45.206AL



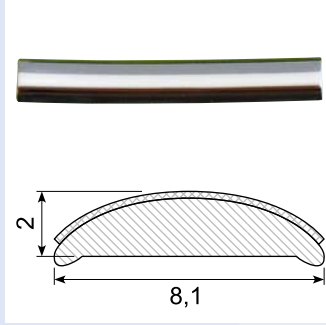
Material: PVC gutter with adhesive
Length: 2 m

45.224



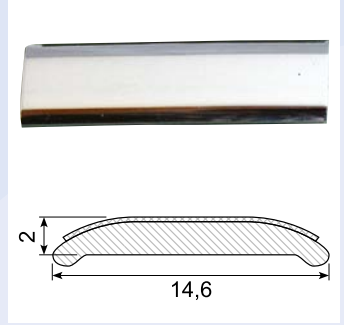
Material: PVC white gutter with adhesive
Length: 25 m

45.217C *



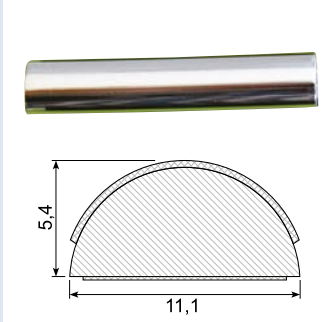
Material: PVC chrome with adhesive
Length: 5 m

45.221C *



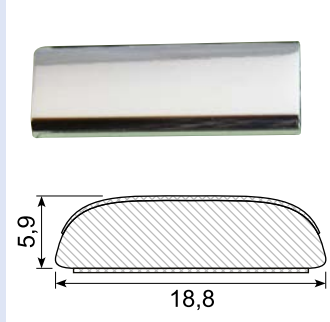
Material: PVC chrome with adhesive
Length: 5 m

45.347C *



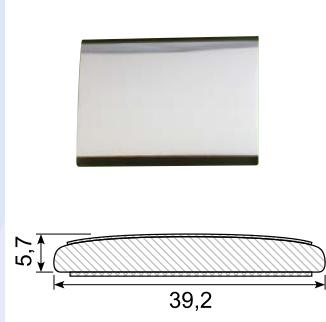
Material: PVC chrome with adhesive
Length: 5 m

45.884C *



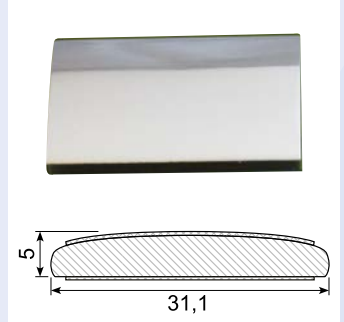
Material: PVC chrome with adhesive
Length: 5 m

45.383C *



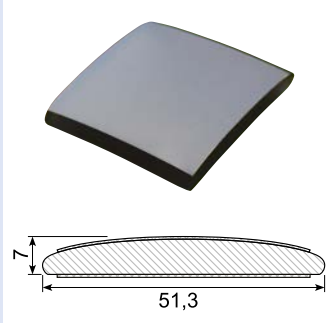
Material: PVC chrome with adhesive
Length: 5 m

45.388C *



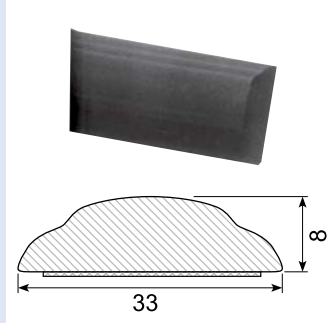
Material: PVC chrome with adhesive
Length: 5 m

45.705C *



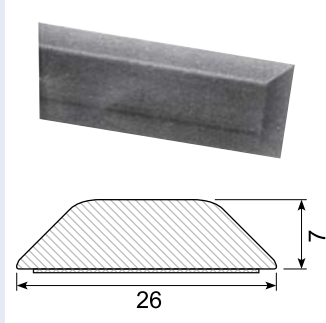
Material: PVC chrome with adhesive
Length: 5 m

45.832



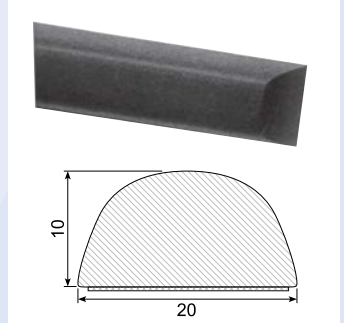
Material: PVC with adhesive
Length: 25 m

45.836



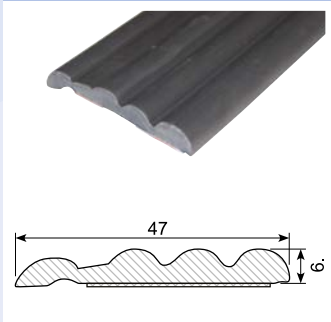
Material: PVC with adhesive
Length: 25 m

45.837



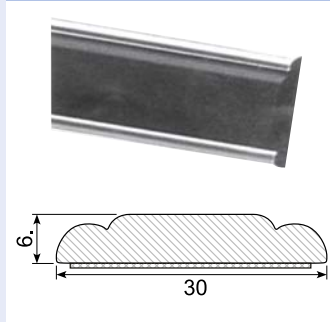
Material: PVC with adhesive
Length: 25 m
Hardness: SH 74 - 76
Density: 1,32

45.839 *



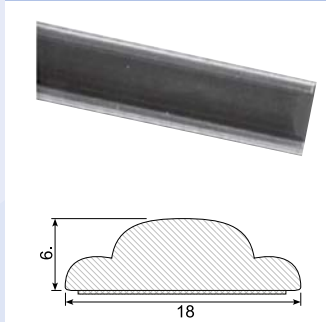
Material: PVC with adhesive
Length: 25 m
Min. order: 300 m

45.872



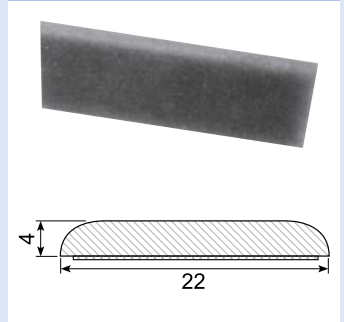
Material: PVC with adhesive
Length: 25 m

45.874



Material: PVC with adhesive
Length: 25 m

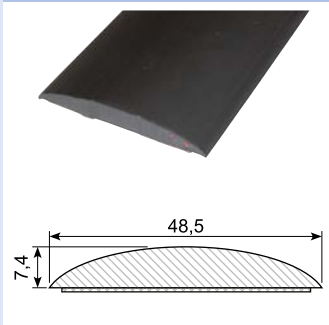
45.882



Material: PVC with adhesive
Length: 50 m

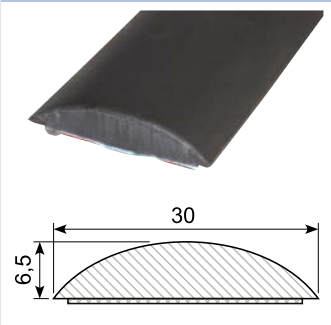
Sico Trim / Sico Trim

45.886 / 45.886G



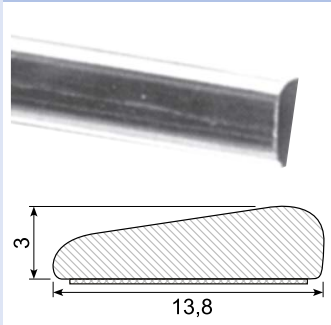
Material: PVC black with adhesive
 Length: 25 m
 45.886G: Grey

45.894 *



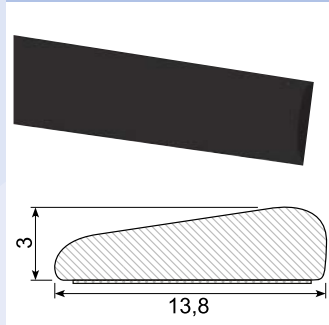
Material: PVC with adhesive
 Length: 25 m
 Min. order: 300 m

45.980A *



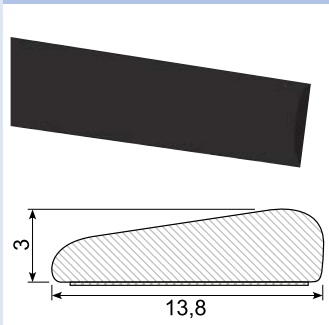
Material: PVC chrome with adhesive
 Length: 25 m
 Min. order: 500 m

45.980K *



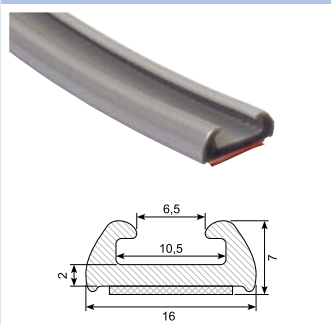
Material: PVC with adhesive
 Length: 340 mm
 Min. order: 1.400 pcs.
 Example fix lengths

45.980S *



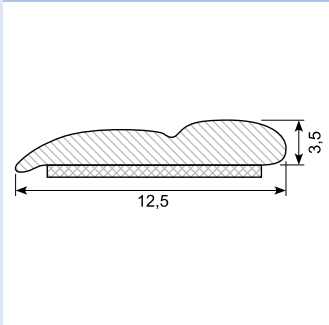
Length: 25 m
 Min. order: 500 m

45.102G



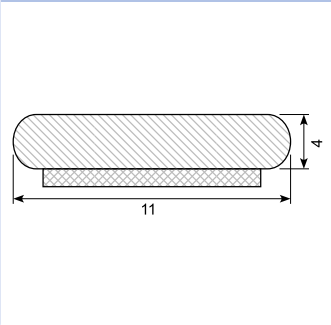
Length: 25 m

45.308C* / 45.308C-50 *



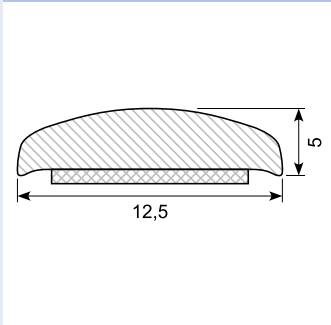
Material: PVC chrome
 Length: 5 m
 45.308C-50 (50 m)
 Min. order: 300 m

45.309C* / 45.309C-50 *

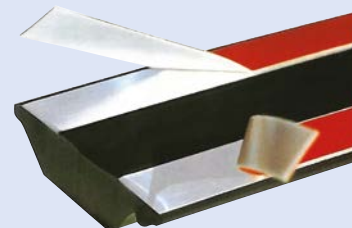
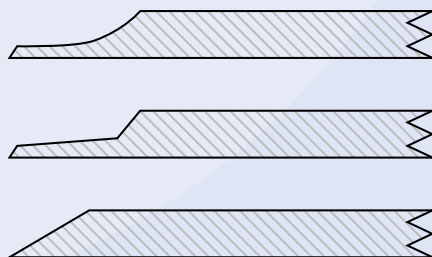


Material: PVC chrome
 Length: 5 m
 45.309C-50 (50 m)
 Min. order: 300 m

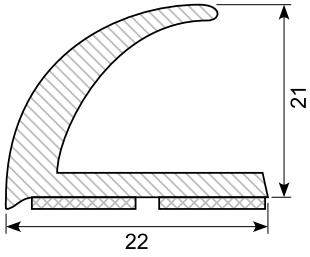
45.216C-50 *



Material: PVC chrome
 Length: 50 m
 Min. order: 300 m

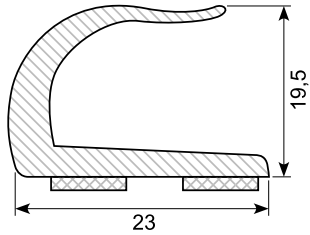


45.123 *



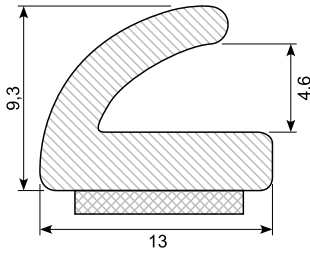
Material: PVC gutter with adhesive
 Length: 25 m
 Min. order: 300 m

45.393 *



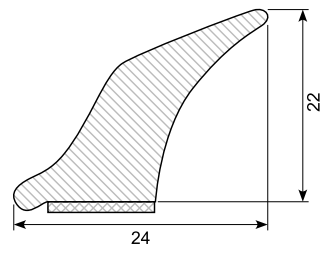
Material: PVC gutter with adhesive
 Length: 25 m
 Min. order: 300 m

45.394 *



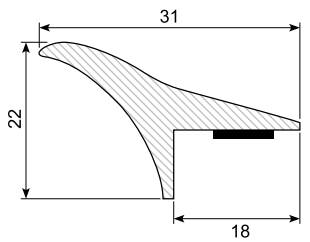
Material: PVC gutter with adhesive
 Length: 25 m
 Min. order: 300 m

45.901 *



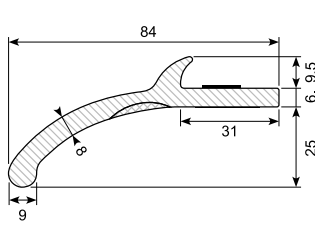
Material: PVC gutter with adhesive
 Length: 25 m
 Min. order: 300 m

45.2031024 *



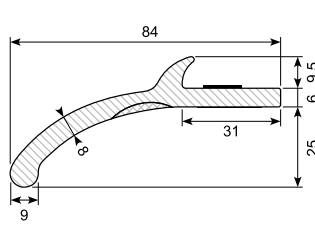
PVC universal wheel arch panel with adhesive. Set of 4 pcs.
 Length: 1,5 m

45.20511046 *



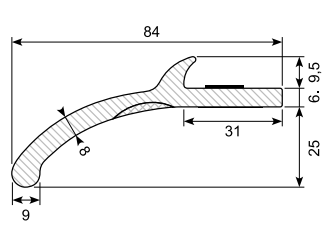
PVC universal wheel arch panel with adhesive. Coil.
 Color: Black
 Length: 6 m

45.20511091 *



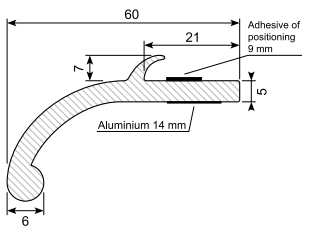
PVC universal wheel arch panel with adhesive. Set of 2 pcs.
 Length: 1,5 m

45.2051445 *



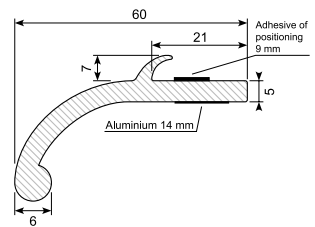
PVC universal wheel arch panel with adhesive. Coil.
 Length: 12,5 m

45.235N1057 *



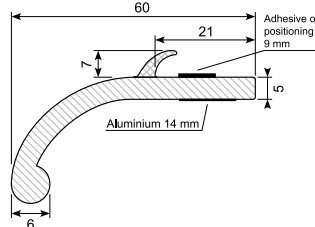
PVC universal wheel arch panel with adhesive. Coil.
 Color: Black
 Length: 6 m

45.235N429 *



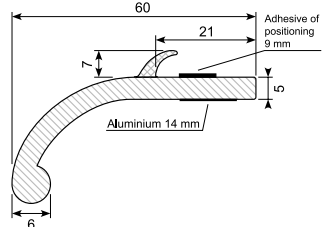
PVC universal wheel arch panel with adhesive. Coil.
 Color: Black
 Length: 12,5 m

45.235NG1057 *



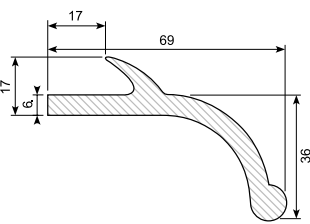
PVC universal wheel arch panel with adhesive. Coil.
 Color: Grey / black
 Length: 6 m

45.235NG429 *



PVC universal wheel arch panel with adhesive. Coil.
 Color: Grey / black
 Length: 12,5 m

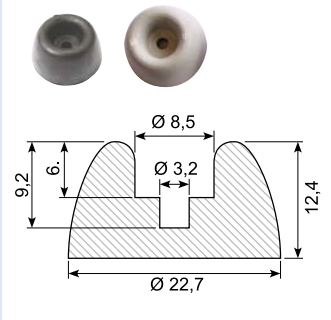
31.4281



Material: EPDM black
 Hardness: SH 85
 Length: 2,6 m

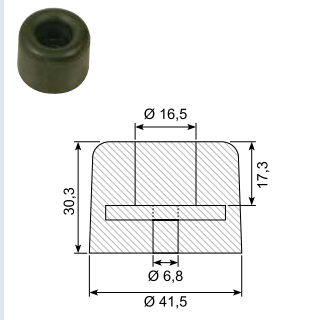
Gummibuffer / Rubber buffer

39.171J / 39.171G



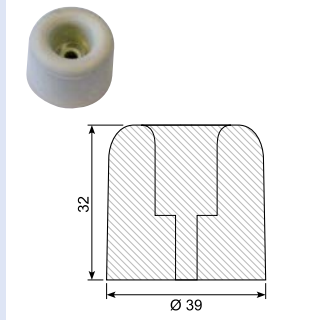
Material: Black
39.171G: Light grey

39.175J



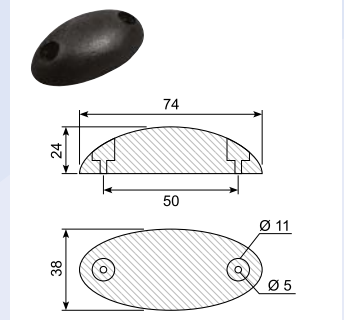
Material: NR black
Hardness: 78

39.175H *



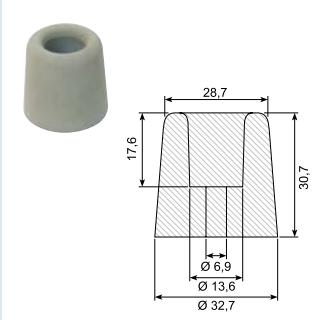
Min. order: 2.000 pcs.

39.632J



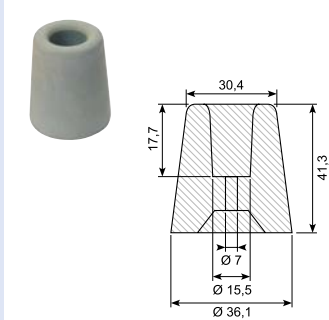
Material: Black

39.167G



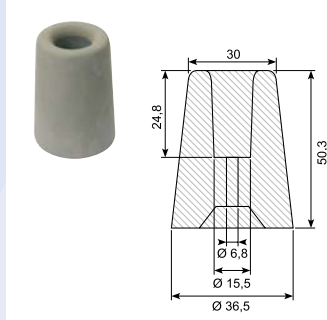
Grey rubber buffer

39.168G



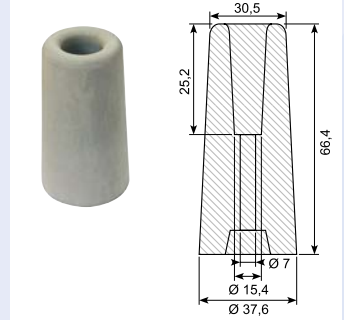
Grey rubber buffer

39.169G



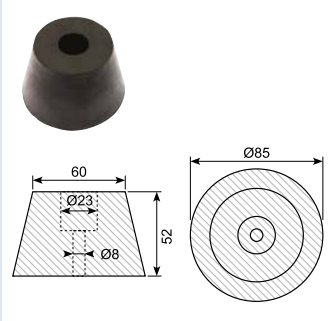
Grey rubber buffer

39.170G



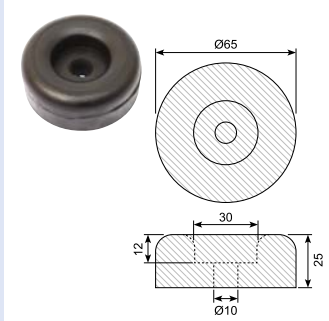
Grey rubber buffer

39.174



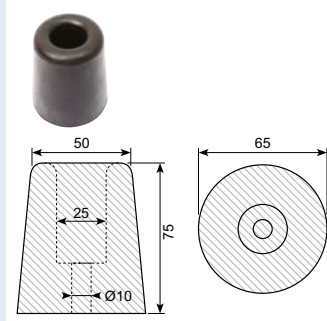
Material: NR / SBR black

39.177



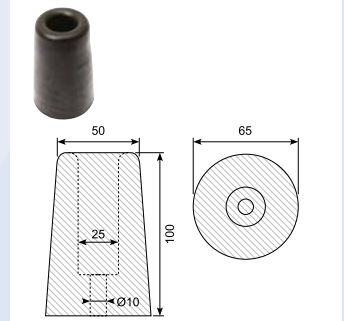
Material: NR / SBR black

39.178



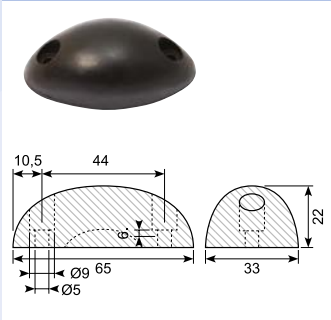
Material: NR / SBR black

39.179



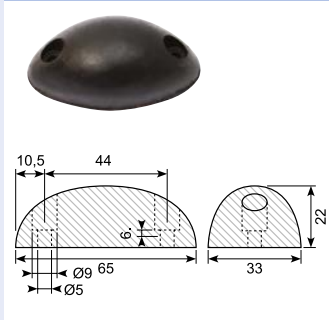
Material: NR / SBR black

39.632A



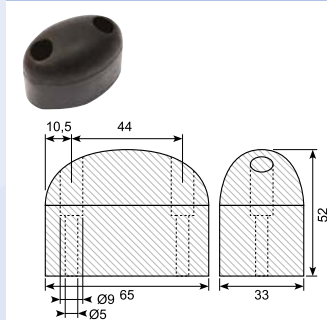
Material: NR / SBR black

39.632B



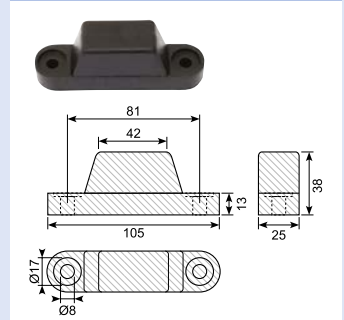
Material: NR / SBR black

39.632C



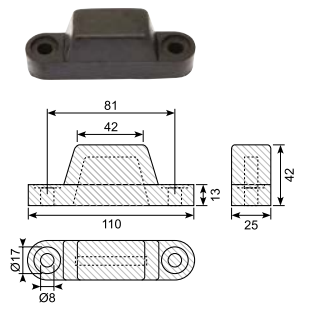
Material: NR / SBR black

39.172



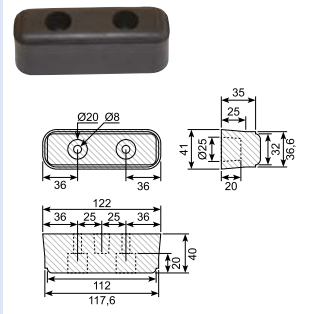
Material: NR / SBR black

39.173



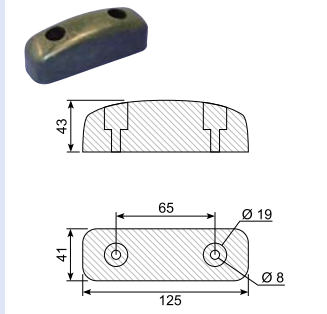
Material: NR / SBR black

39.626J



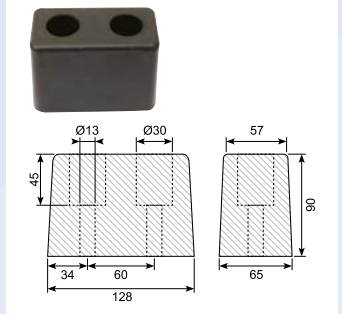
Material: NR black
Hardness: SH 85

39.637



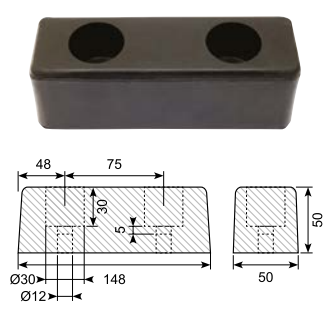
Vehicle bumper
Material: NR / SBR black

39.625



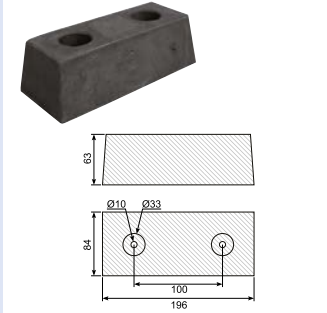
Material: NR / SBR

39.624



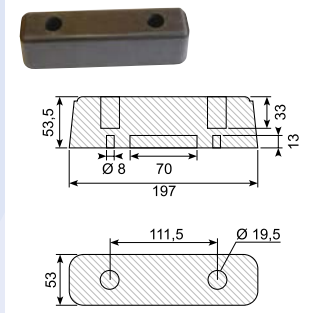
Material: NR / SBR black

39.623J



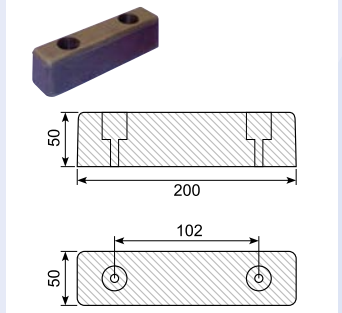
Rubber buffer, slightly conical
Material: NR

39.620J



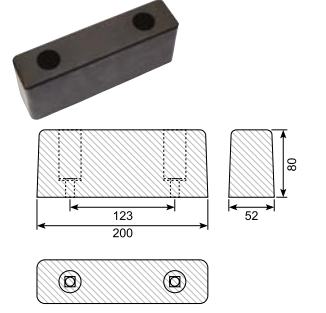
Rubber buffer with washers
Material: NR black
Hardness: SH 85

39.638



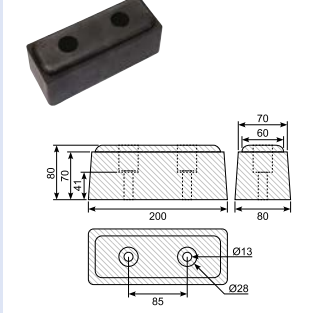
Vehicle bumper
Material: NR / SBR black

39.181061



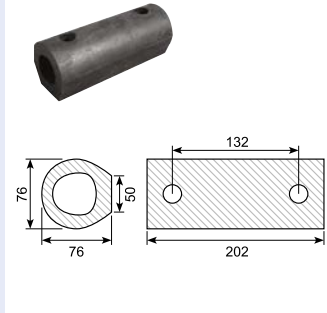
Material: NR / SBR
Weight: 1.050 g

39.181052



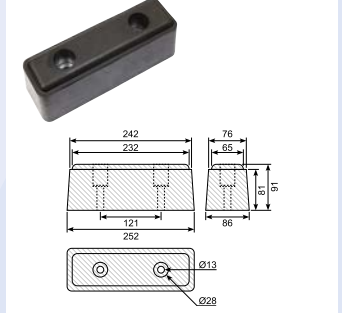
Material: NR / SBR
Weight: 1.370 g

39.627



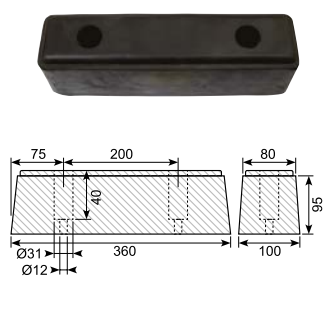
Material: SBR black

39.181060



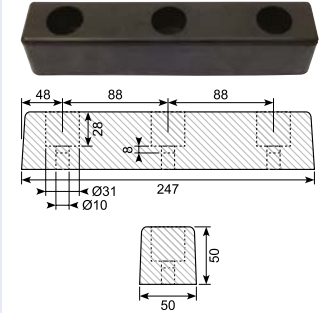
Material: NR / SBR
Weight: 1.370 g

39.360



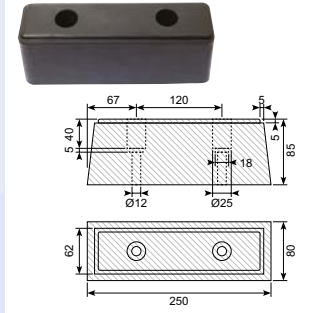
Material: NR / SBR black

39.628



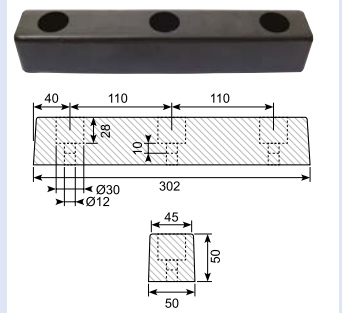
Material: NR / SBR

39.646



Material: NR / SBR black
Weight: 1.800 g

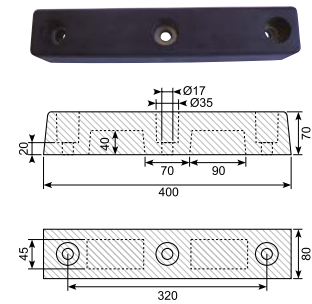
39.629



Material: NR / SBR black

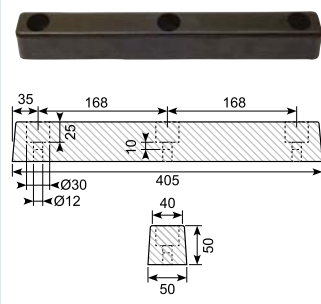
Gummibuffer / Rubber buffer

39.634



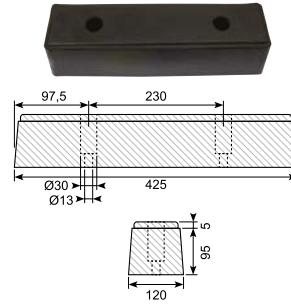
Buffer with steel washers and steel casing, 3 holes for 16 mm bolt.
Material: EPDM black

39.630



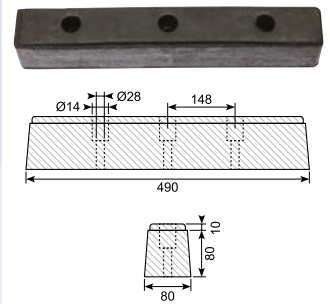
Material: NR / SBR black

39.634P



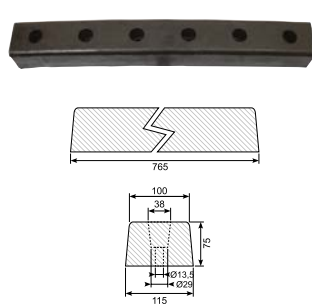
Material: NR / SBR black

39.647



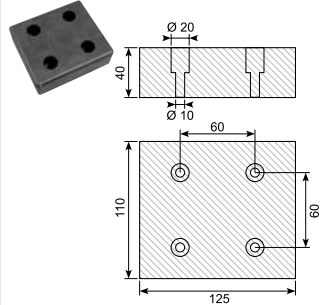
Material: NR / SBR black

39.650



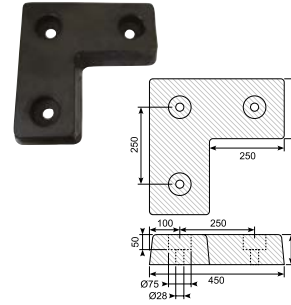
Material: NR / SBR black

39.631X



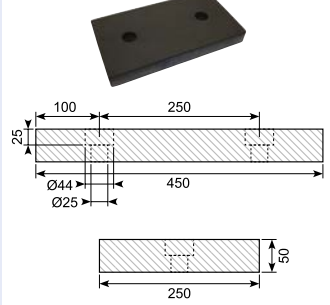
Material: SBR black
Hardness: SH 75

39.651A



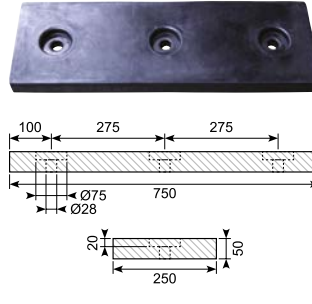
Material: NR / SBR
39.651: SBR + rayon

39.652



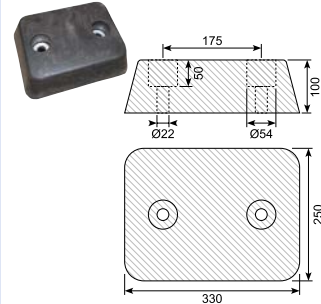
Material: NR / SBR black

39.653



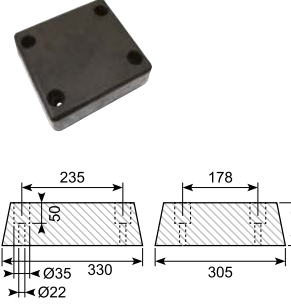
Material: NR / SBR black

39.644



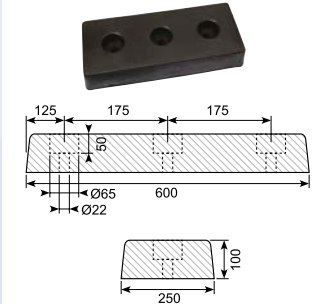
Material: SBR + rayon
39.644A: NR / SBR *

39.631A



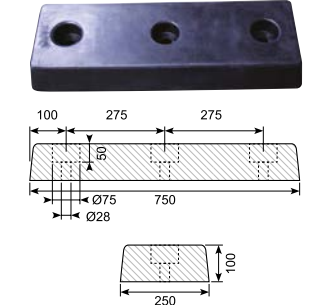
Material: NR / SBR

39.648



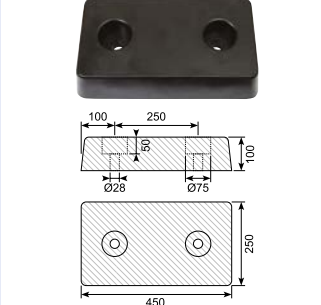
Material: NR / SBR black

39.649



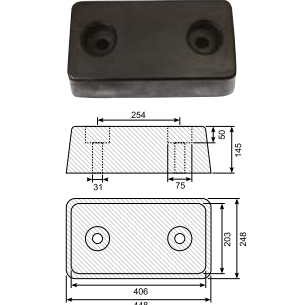
Material: NR / SBR black

39.642X



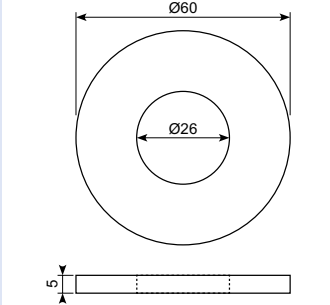
Material: NR / SBR (Economy)
39.642 SBR + rayon *

39.643X



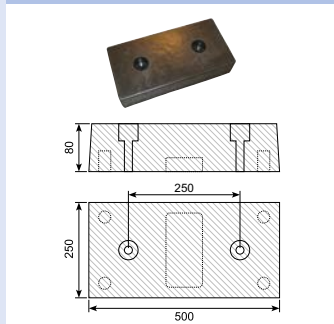
Material: NR / SBR (Economy)

39.M24



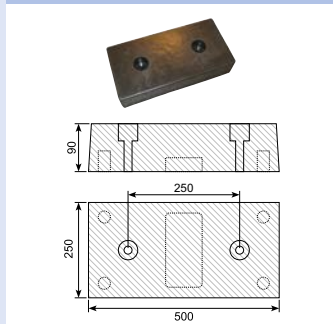
M24 washer for rubber buffer

39.635X



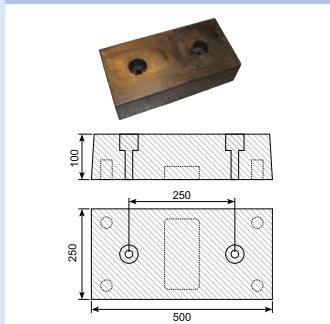
Buffer, vulcanized new rubber.

39.635



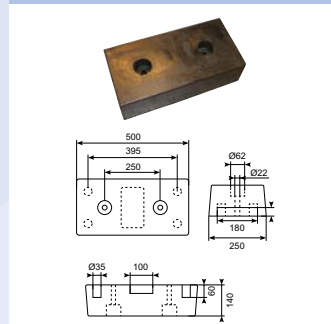
Buffer, vulcanized new rubber.

39.636X



Buffer, vulcanized new rubber.

39.636



Buffer, vulcanized new rubber.



Anslagsbuffere / tipper pads *

Material: Steel / rubber

Art.	Size steel element (mm)	Size rubber element (mm)	Weight (kg)
39.658	150 x 40 x 5	100 x 40 x 25	0,34
39.656	152 x 88 x 6	100 x 86 x 22	0,75
39.657	355 x 75 x 3	290 x 74 x 27	1,35



Anslagsbuffere / tipper pads *

Material: Aluminium / rubber

Art.	Size aluminium element (mm)	Size rubber element (mm)	Weight (kg)
39.659	152 x 88 x 5	100 x 86 x 23	0,41
39.661 *	180 x 75 x 5	115 x 75 x 29	0,41
39.660 *	152 x 88 x 5	100 x 88 x 38	0,6
39.662 *	180 x 75 x 5	150 x 75 x 40	0,6
39.663 *	180 x 75 x 4	115 x 75 x 46	0,6
39.664 *	190 x 115 x 6	120 x 112 x 14 - 20	0,6
39.665 *	355 x 75 x 5	290 x 75 x 39	1,4

Gummibuffer / Rubber buffer

39.180



Material: SBR black
Hardness: SH 80
Rubber pad Ø120 for lift stabilizers. Internal Ø108 mm. Height 26 mm.

39.181 *



Material: SBR black
Hardness: SH 75
Rubber pad Ø120 for lift stabilizers. Internal Ø108 mm. Height 26 mm.

39.182



Material: SBR black
Hardness: SH 75
Rubber pad Ø145 for lift stabilizers. Internal Ø120 mm. Height 24 mm.

39.183



Material: TPE black
Hardness: SH 80
Rubber pad Ø145 for lift stabilizers. Internal height 26 mm.

39.188 *



Rubber pad for lift stabilizers
Material: SBR black
Hardness: SH 75
Size: Ø 160 x H 28 mm
Internal Ø 135 mm

39.183A *



Rubber pad for lift stabilizers
Material: SBR black
Hardness: SH 80
Size: Ø 100 x H 21 mm
Internal Ø 80 mm

39.183B *



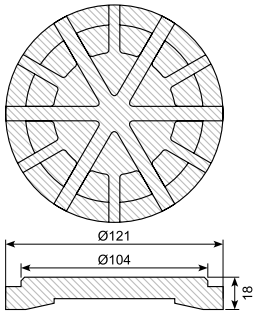
Rubber pad for lift stabilizers
Material: SBR black
Hardness: SH 80
Size: Ø 140 x H 25 mm
Internal Ø 103 mm

39.183C *



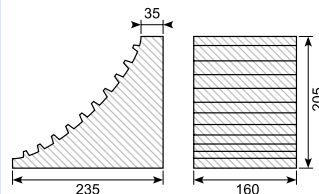
Rubber pad for lift stabilizers
Material: Black
Hardness: SH 80
Size: Ø 140 x H 25 mm
Internal Ø 74 / 60 mm

30.9906



Hardness: SH 80

52.CWC8 *



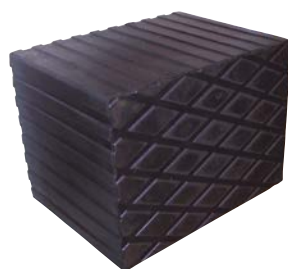
Chocks

39.184



Rubber pad for lift stabilizers
Material: SBR black
Hardness: SH 75
160 x 120 x 20 mm

39.186



Rubber pad for lift stabilizers
Material: SBR black
Hardness: SH 75
160 x 120 x 120 mm

39.187



Rubber pad for lift stabilizers
Material: SBR black
Hardness: SH 75
180 x 60 x 100 mm

39.185



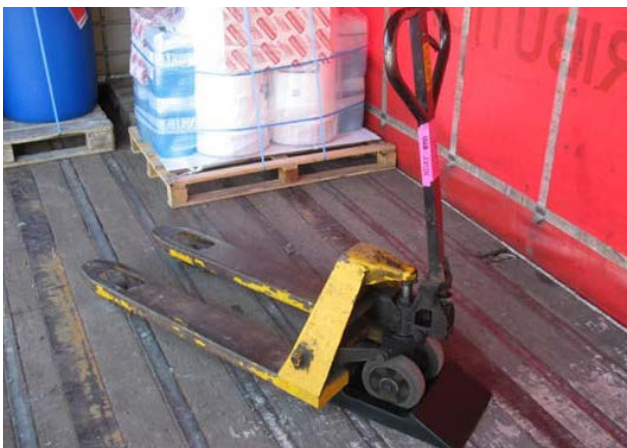
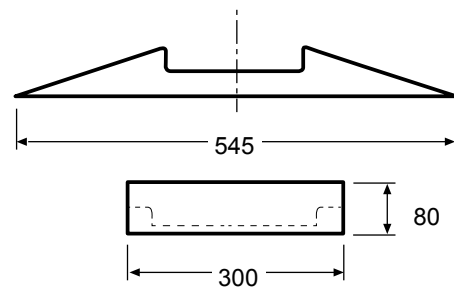
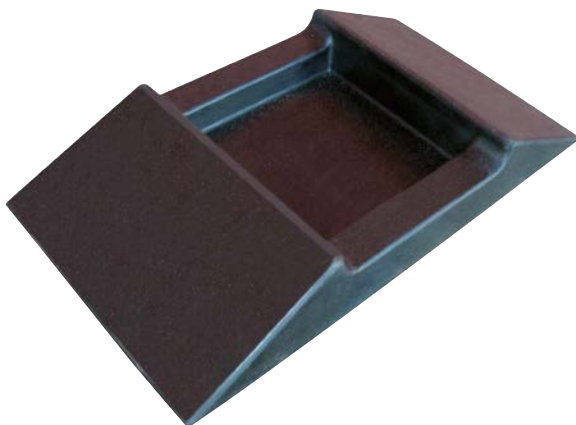
Rubber pad for lift stabilizers
Material: SBR black
Hardness: SH 75
160 x 120 x 35 mm

Gummibuffer / Rubber buffer

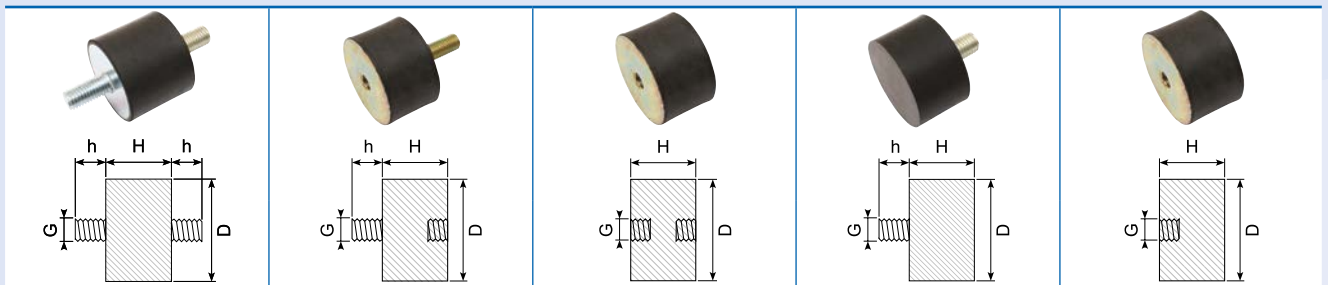
Art.	Image	Measure
30.13186-1		6,7
30.13186-2		8
30.13186-3		10,5
30.13186-4		10,8
30.13186-5 *		16
30.13186-6 *		21
30.13186-7 *		24,5
30.13186-8 *		31,3

Material: PVC grey

39.645



Vibrationsdæmpere / Vibration muffler



D	H	Type M (1)	Type B (2)	Type C (3)	Type D (4)	Type E (5)
6	7					
8	5					
8	8					
8	10					
9	12					
10	8					
10	10				39.D10/10	
10	15					
10	17					
10	18					
10	30					
11	11					
12	10					
13	26					
15	4					
15	5					
15	6					
15	7					
15	8					
15	9					
15	10				39.D15/10 (M5x15) 39.D15/10-M6 (M6x18)	
15	12					
15	13					
15	15		39.B15/15 **		39.D15/15 (M5x15) 39.D15/15-M6 (M6x15)	
15	20					
15	25					
15	30					
16	18		39.B16/18			
18	10	39.M1810				
20	5					
20	8					
20	10	39.M20/10-M6 (M6x18) 39.M20/10 (M8x18)	39.B20/10-M6 (M6x18) 39.B20/10 (M8x18)	39.C20/10 (M4)		39.E20/10-M6 (M6) 39.E20/10 (M8)
20	11					
20	12					
20	13					
20	15	39.M2015	39.B20/15 (M8x18)		39.D20/15E	
20	17					
20	20	39.M2020 39.M2020-M8 39.M2020-M6 (M6x15) **	39.B2020	39.C20/20	39.D20/20 (M5x15) 39.D20/20-M6 (M6x18)	
20	23				39.D2020-M6 (M6x15) **	
20	25					
20	30					
25	8					
25	10			39.C25/10 (M4)		39.E25/10-M6 (M6) 39.E25/10 (M8)
25	12					
25	13		39.B2513			
25	14					

G	h
M6	6, 8, 10, 12, 15, 18, 20, 23, 28
M8	8, 10, 12, 15, 18, 20, 23, 25, 28, 33

G	h
M10	10, 12, 15, 18, 20, 23, 25, 28, 33, 38, 43
M12	10, 12, 18, 20, 23, 25, 27, 33, 37, 42

Fåes i tre hårdheder: Shore 43, 55 og 68.
Også mulighed for rustfri gevind.
Available in three hardnesses: SH 43, 55 and 68.
Also option for stainless threads.

Vibrationsdæmpere / Vibration muffler

D	H	Type M (1)	Type B (2)	Type C (3)	Type D (4)	Type E (5)
25	15	39.M2515		39.C25/15		
25	17					
25	18					
25	19					
25	20	39.M2520 39.M2520-M6				
25	22	39.M25/22 **				
25	25		39.B25/25 (M8x18) 39.B25/25-M6 (M6x18)	39.C25/25-M6		
25	27					
25	28					
25	30					
26	22					
30	8					
30	10	39.M30/10 (M8x23)			39.D30/10 39.D30/10-M6 (M6x18)	
30	12					
30	13					
30	15	39.M3015-M8x12 39.M3015-M8x15			39.D30/15 39.D30/15-M6 (M6x18)	39.E30/15-M6 (M6) 39.E30/15 (M8)
30	17					
30	18					
30	20	39.M3020 39.M3020-55	39.B30/20 39.B30/20X	39.C30/20 (M8)	39.D30/20 39.D30/20-M6	39.E30/20-M6 (M6) 39.E30/20 (M8)
30	22					
30	25					
30	30	39.M3030 39.M3030-SS	39.B30/30 39.B30/30-M6	39.C30/30 39.C30/30-A4 **	39.D30/30 39.D30/30-M6 (M6x18)	39.E30/30-M6 (M6) 39.E30/30 (M8)
30	35					39.E30/35
30	40			39.C30/40 **		
30	45					
40	10					
40	15				39.D40/15 39.D40/15-M6 (M6x18)	39.E40/15-SH43
40	20	39.M40/20 (M8x23)	39.B40/20 (M8x23)		39.D40/20 (M8x18) 39.D40/20-M6 (M6x18) 39.D40/20-M10 (M10x20) 39.D40/20-A2	39.E40/20-M6 (M6) 39.E40/20 (M8)
40	25	39.M4025		39.C40/25 (M8)	39.D40/25-A2	
40	27					
40	28					
40	30	39.M4030	39.B40/30 (M8x23)	39.C40/30	39.D40/30-A2 39.D40/30 39.D40/30-M8 (M8x18)	39.E40/30 (M8)
40	35		39.B40/35 (M8x23)		39.D40/35-A2 39.D40/35 (M10x20)	
40	38	39.M4038		39.C40/40 (M8)		
40	40	39.M40/40 (M10x28)		39.C40/40-M10 (M10)	39.D40/40-A2 39.D40/40 (M10x20)	
40	45				39.D40/45-A2	
40	60					

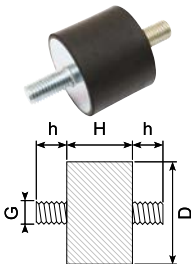
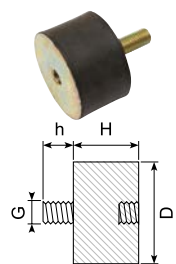
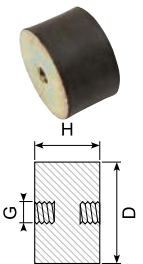
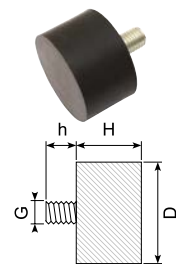
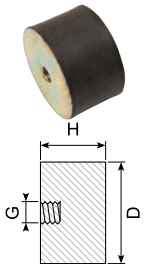
G	h
M6	6, 8, 10, 12, 15, 18, 20, 23, 28
M8	8, 10, 12, 15, 18, 20, 23, 25, 28, 33

G	h
M10	10, 12, 15, 18, 20, 23, 25, 28, 33, 38, 43
M12	10, 12, 18, 20, 23, 25, 27, 33, 37, 42

Fåes i tre hårdheder: Shore 43, 55 og 68.
Også mulighed for rustfri gevind.
Available in three hardnesses: SH 43, 55 and 68.
Also option for stainless threads.

**** Opdateret siden tryk / Updated since print**
SINDBY PROFILES 5 - 00129-5-k201902

Vibrationsdæmpere / Vibration muffler

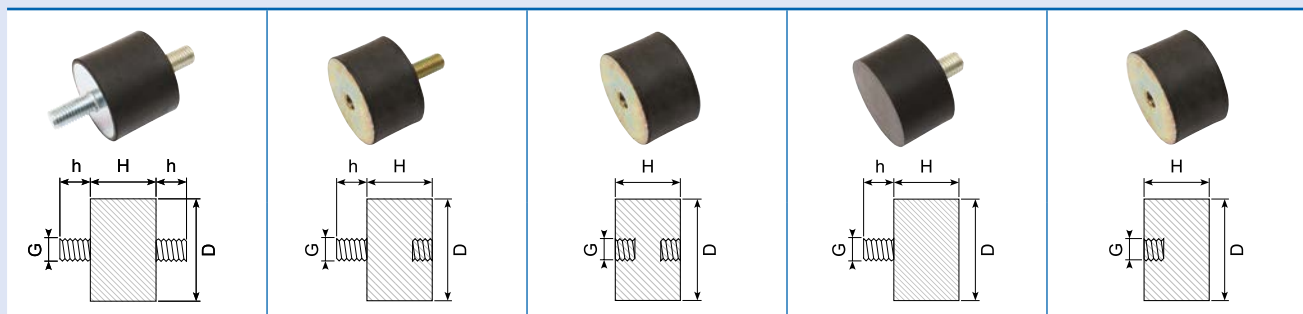
						
D	H	Type M (1)	Type B (2)	Type C (3)	Type D (4)	Type E (5)
50	7					
50	9					
50	12					
50	15					
50	17					
50	20		39.B50/20-M8 **	39.C50/20 (M10)	39.D50/20 39.D50/20-M12 (M12x23)	39.E50/20 (M8) 39.E50/20-M10 (M10) 39.E50/20-M12 (M12)
50	21		39.B50/21			
50	25	39.M5025		39.C50/25 (M10)	39.D50/25 (M10x20) 39.D50/25-M12 (M12x23)	39.E50/25 (M10) 39.E50/25-M12 (M12)
50	27					
50	28					
50	30	39.M5030	39.B50/30	39.C50/30 39.C50/30-M8 39.C50/30-68 39.C50/35	39.D50/30 39.D50/30-M10 (M10x20)	
50	35					
50	37					
50	40	39.M5040		39.C50/40-M12 39.C50/40		39.E50/40 (M10) 39.E50/40-M12 (M12)
50	42					
50	45	39.M5045		39.C50/45		
50	50	39.M5050	39.B50/50 39.B50/50-M10 (M10x28)			
50	80					
60	15					
60	16					
60	20					
60	25					
60	30		39.B60/30 (M12x25)	39.C60/30-M8 (M8) 39.C60/30 (M10)	39.D60/30 (M10x28) 39.D60/30-M12 (M12x23)	39.E60/30 (M10)
60	35	39.M6035				39.E60/30-M12 (M12)
60	40		39.B60/40	39.C60/40 39.C60/40-M10 SH 43 39.C60/40-M12 SH 43	39.D60/40 (M10x28) 39.D60/40.M12 (M12x23)	39.E60/40 (M10) 39.E60/40-M12 (M12)
60	45		39.B60/45-A2 **			
60	50	39.M6050			39.D6050	
60	60					
65	35			39.C65/35 39.C65/35.M10 (M10)	39.D65/35	
70	20					
70	25					
70	30					
70	35					39.E70/35 (M12)
70	40				39.D70/40 (M10x28) 39.D70/40-M12 (M12x27)	
70	45					
70	50					39.E70/50 (M12)
70	53					
70	55					
70	60					
70	70				39.D70/70	

G	h
M6	6, 8, 10, 12, 15, 18, 20, 23, 28
M8	8, 10, 12, 15, 18, 20, 23, 25, 28, 33

G	h
M10	10, 12, 15, 18, 20, 23, 25, 28, 33, 38, 43
M12	10, 12, 18, 20, 23, 25, 27, 33, 37, 42

Fåes i tre hårdheder: Shore 43, 55 og 68.
Også mulighed for rustfri gevind.
Available in three hardnesses: SH 43, 55 and 68.
Also option for stainless threads.

Vibrationsdæmpere / Vibration muffler



D	H	Type M (1)	Type B (2)	Type C (3)	Type D (4)	Type E (5)
75	20					
75	25					
75	30		39.B75/30 (M12x25)	39.C75/30 (M12) 39.C75/30-M10 (M10)	39.D75/30	39.E75/30 (M10) 39.E75/30-M12 (M12)
75	35					
75	40	39.M7540	39.B75/40 (M12x25)			
75	45			39.C70/45-M10		
75	50	39.M7550	39.B75/50 (M12x25)		39.D75/50-M10 (M10x28)	39.E75/50 (M10) 39.E75/50-M12 (M12)
75	55			39.C75/55 39.C75/55-43 39.C75/55-M10 (M10)		
75	60	39.M7560				
75	70					
75	100			39.C75/100 39.C75/100-M16		
80	17					
80	18					
80	30					
80	40					
80	50	39.M8050				39.E80/50 (M12) 39.E80/50-M16 (M16)
80	55					
80	60					
80	65					
80	70					
80	75					
80	80					
90	60					
100	25					39.E100/25 (M16)
100	30		39.B100/30 (M16x46)		39.D100/30 (M16x41)	39.E100/30 (M16)
100	35					
100	40		39.B100/40 (M16x46)	39.C100/40		39.E100/40 (M16)
100	45					
100	50		39.B100/50 (M16x46)	39.C100/50 (M16)	39.D100/50 (M16x41)	39.E100/50 (M16)
100	55					
100	60					
100	65					
100	70					
100	75		39.B100/75 SH 43	39.C100/75 (M16)	39.D100/75 (M16x41)	39.E100/75 (M16)
100	80					
100	100					
150	40			39.C150/40		
150	50			39.C150/50	39.D150/50 (M16x41)	39.E150/50 (M16) 39.E150/50-M20 (M20)
150	55					
150	60					
150	75			39.C150/75 (M16) 39.C150/75-M20 **		39.E150/75 (M16) 39.E150/75-M20 (M20)
200	100			39.C200/100 (M20)	39.D200/100 (M20x41)	39.E200/100 (M20)

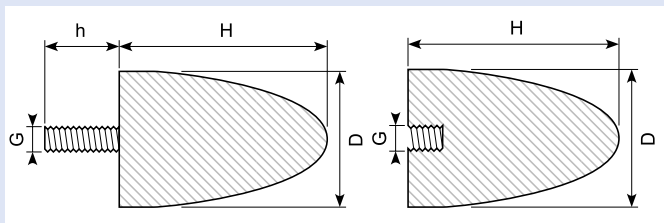
G	h
M6	6, 8, 10, 12, 15, 18, 20, 23, 28
M8	8, 10, 12, 15, 18, 20, 23, 25, 28, 33

G	h
M10	10, 12, 15, 18, 20, 23, 25, 28, 33, 38, 43
M12	10, 12, 18, 20, 23, 25, 27, 33, 37, 42

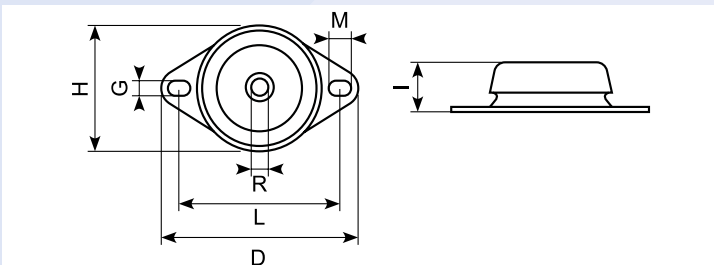
Fåes i tre hårdheder: Shore 43, 55 og 68.
Også mulighed for rustfri gevind.
Available in three hardnesses: SH 43, 55 and 68.
Also option for stainless threads.

** Opdateret siden tryk / Updated since print
SINDBY PROFILES 5 - 00129-5-k201902

Vibrationsdæmpere / Vibration muffler

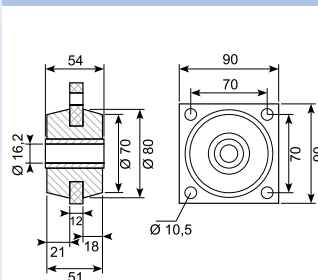


KP-D-no. **	KP-E-no.	D/H	D	H	G	h
39.KP-D10/10	39.KP-E10/10	10/10	10	10	M5	12
39.KP-D15/22	39.KP-E15/22	15/22	15	22	M6	18
39.KP-D20/15	39.KP-E20/15	20/15	20	15	M6	10
39.AV2024	39.KP-E20/24	20/24	20	24	M6	18
39.KP-D25/16	39.KP-E25/16	25/16	25	16	M6	18
39.KD25/17		25/17	25	17	M6	8
39.KP-D25/20	39.KP-E25/20	25/20	25	20	M6	18
39.KP-D30/30	39.KP-E30/30	30/30	30	30	M8	20
39.KP-D30/36	39.KP-E30/36	30/36	30	36	M8	20
39.AV30		30/40	30	40	M8	23
	39.KP-E35/40	35/40	35	40	M8	23
39.KD50/18		50/18	50	18	M10	18
39.KP-D50/50	39.KP-E50/50	50/50	50	50	M10	28
39.KP-D50/58		50/58	50	58	M10	28
39.KP-D50/61	39.KP-E50/61	50/61	50	61	M8	28
39.KP-D50/67	39.KP-E50/67	50/67	50	67	M8	33
39.AV5068	39.KP-E50/68	50/68	50	68	M10	38
39.KP-D60/40	39.KP-E60/40	60/40	60	40	M10	28
39.KP-D70/58	39.KP-E70/58	70/58	70	58	M12	32
39.KP-D70/60	39.KP-E70/60	70/60	70	60	M12	37
39.KP-D75/89	39.KP-E75/89	75/89	75	89	M12	37
39.KP-D75/89-10	39.KP-E75/89	75/89	75	89	M10	37
39.AV9580	39.KP-E95/80	95/80	95	80	M16	41
39.KP-D115/136	39.KP-E115/136	115/136	115	136	M16	41
39.KP-D118/77	39.KP-E118/77	118/77	118	77	M16	41



Varenr. **	I	H	G	M	R	L	D	Load KG
39.GMF67/34	34	67	11		Ø12	88	110	60
39.GMF75/34	34	75	12	16	Ø12	100	130	100
39.GMF100/42	42	100	12	16	M12/M14/M16	120	153	200-300
39.GMF108/46	46	108	14	18	M12/M14/M16	142	177	400-500
39.GMF122/50	50	122	14	20	M16	158	192	600-800
39.GMF150/54	54	150	14	18	M18/M20	183	218	1000-1200

39.103195

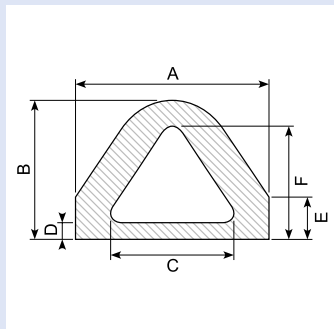


Material: NBR
Hardness: SH 55

Skaffevarer / Special order item

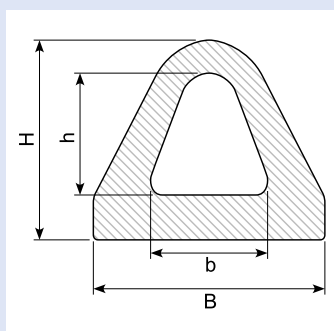


Fendere / Fenders



Material: EPDM black
 Hardness: SH 70
 Fenders for harbours, loading ramps w. m.

Art.	A	B	C	D	E	F	Kg/m
39.3872	40	25	28	5	10	20	0,57
39.3873 *	55	40	38	8	15	32	1,39
39.3875 *	60	50	40	10	20	42	1,75
39.4087 *	60	52	30	11	11	43	2
39.3876	80	65	50	12	25	39	3,2
39.3887 *	80	70	40	15	0	68	3,5
39.4333 *	80	70	54	15	16	59	4
39.2486 *	82	67	42	15	15	57	3,5
39.4156 *	109	117	50	42	50	95	10,5
39.3846 *	110	95	50	22	18	76	6,1
39.3874 *	110	95	70	15	30	80	5,79
39.4399 *	110	130	70	20	45	110	7,8
39.3010 *	120	110	70	14	35	95	7,39
39.3868 *	150	130	100	20	40	110	10,82
39.4178 *	150	160	105	50	60	130	16,3
39.3722 *	160	138	92	33	0	105	15,83
39.3240 *	170	130	110	15	45	110	10,5



Material: EPDM black
 Hardness: SH 70
 Fenders for vans harbours, loading ramps etc.

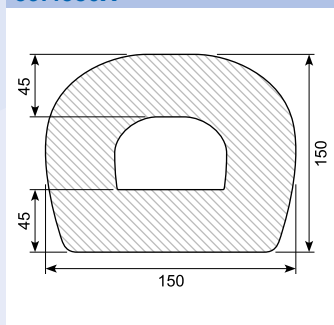
Art.	B	H	b	h	L	Kg/m
39.674	40	22			20 m	0,715
39.678 **	60	50		28	10 m	2,1
39.678X *	50	60			20 m	2,1
39.680X	84	70	46	41	20 m	3,7
39.684X	110	95			10 m	7,076
39.684XS *						
39.685 *	120	120			3 m	11,204

Soft. SH 45. Min. order: 40 m

Material: White

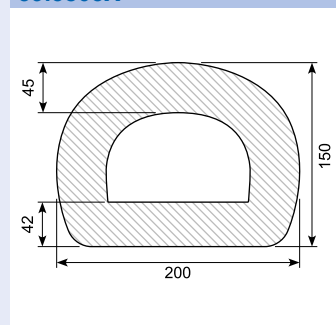
Art.	B	H	L	Min. order
39.680H *				100 m
39.680H-1180	84	70	1.180 mm	

39.4380X



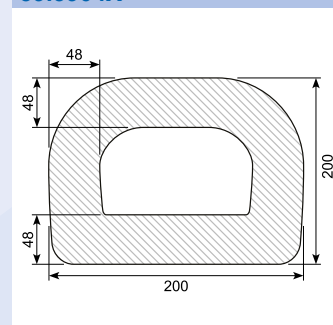
Material: NR / SBR
 Length: 2 m

39.3803X



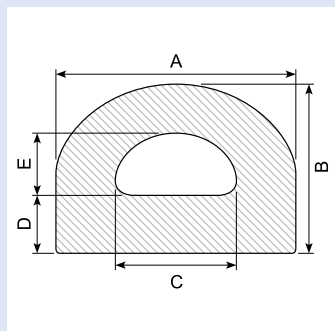
Material: NR / SBR
 Length: 2 m

39.3904X



Material: NR / SBR
 Length: 2 m

Fendere / Fenders

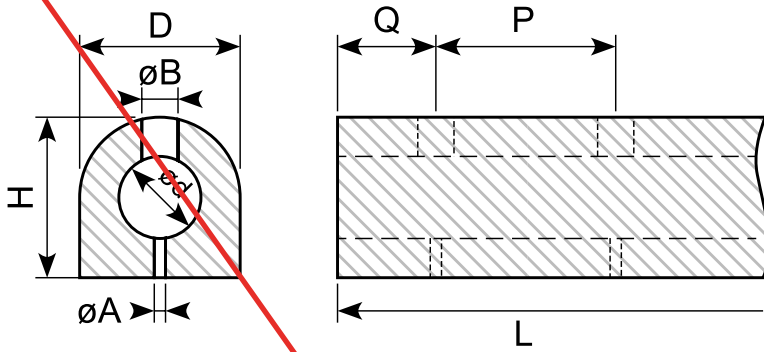


Material: EPDM black
 Hardness: SH 70
 Fenders for harbours, loading ramps w. m.

Art.	A	B	C	D	E	Kg/m
39.3581	30	25	11	7,5	11	0,67
39.36412 *	40	75	23	32	23	3,76
39.2776 *	51	45	20	10	20	2,08
39.3428 *	65	70	35	18	28	2,99
39.3029 *	80	80	40	25	35	5,54
39.3700 *	80	78	56	12	54	3,55
39.3925 *	80	80	40	23	40	5,59
39.4229 *	80	70	46	25	20	4,57
39.4110 *	95	100	38	30	45	5,4
39.3051 *	100	80	50	25	30	7,05
39.3802	100	80	80	12	56	3,68
39.3923 *	100	95	44	29	40	8,1
39.3952 *	100	95	60	20	50	6,99
39.4251 *	100	60	50	20	20	5,81
39.4403 *	100	95	60	28	42	6,27
39.4310 *	107	67	40	22	20	6,4
39.3726 *	110	110	50	30	25	12,14
39.3878 *	120	70	30	20	30	6,41
39.93 *	120	120	70	44	51	11,84
39.4381 *	125	100	65	33	37	10,87
39.69 *	130	150	50	50	50	21,05
39.4257 *	130	145	40	55	40	17,24
39.3813 *	140	125	85	35	55	14,75
39.3815 *	140	80	60	20	36	10,27
39.3381 *	150	150	85	30	85	18,81
39.4129 *	150	130	50	55	50	20
39.4224 *	150	150	92	29	92	14,7
39.4244 *	150	180	45	87	40	27,8
39.4380	150	150	80	40	75	18,22
39.3366 *	160	125	90	25	65	15,82
39.4311 *	160	175	68	79	68	17,1
39.57 *	200	165	40,5	80	40,5	31,44
39.3023 *	190	195	21	89	21	40,57
39.4012 *	190	195	55	89	55	37,7
39.3803 *	200	150	148	14	113	11,81
39.4249 *	200	220	75	82	75	42,39
39.4250 *	200	220	100	38	80	39,38
39.4269 *	200	220	75	82	75	36,85
39.3849 *	240	260	110	90	110	54,54
39.3879 *	250	290	120	60	110	48,96
39.56 *	250	200	136	50	100	39,84
39.4054 *	280	190	180	50	90	38,5
39.79 *	300	254	150	75	104	68,25
39.55 *	350	350	220	80	165	97,68

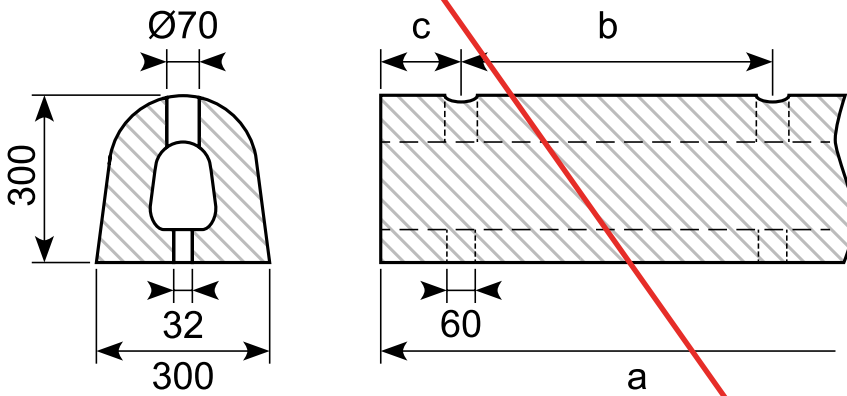
Fendere / Fenders

D-fender



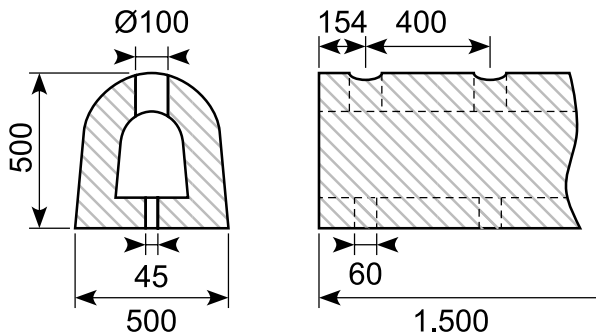
Art.	H	D	A	B	d	Q	P	L
39.200200 *	200	200	25	60	100	150	300	1.500
39.300300 *	300	300	29	65	150	150	300	1.500

D-fender

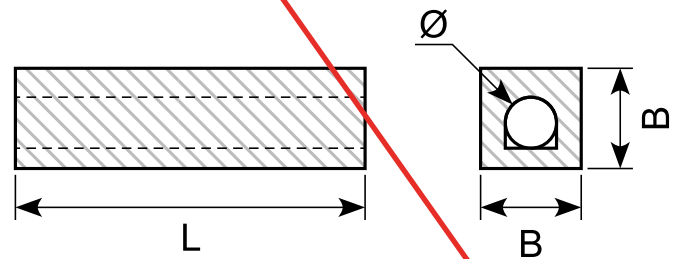


Art.	Size	a (mm)	b (mm)	c (mm)	Mounting holes	Weight
*	D300HX900L-2h	900	600	150	2	62
*	D300HX1000L-2h	1.000	600	250	2	69
*	D300HX1500L-3h	1.500	600	150	3	103
39.300300A *	D300HX1500L-5h	1.500	320	110	5	103
*	D300HX1500-5h-S	1.500	320	110	5	98
*	D300HX2000-4h	2.000	500	250	4	210

39.500500A *



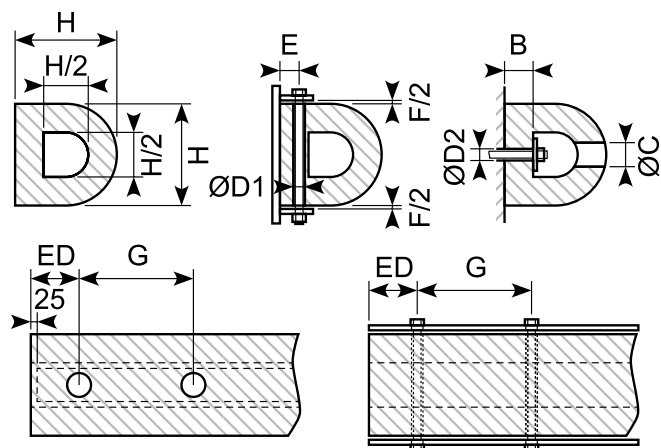
D-fender



Art.	B (mm)	Ø (mm)
*	150	75
*	200	100
*	250	125
39.300300FK *	300	150
*	400	200
*	500	250

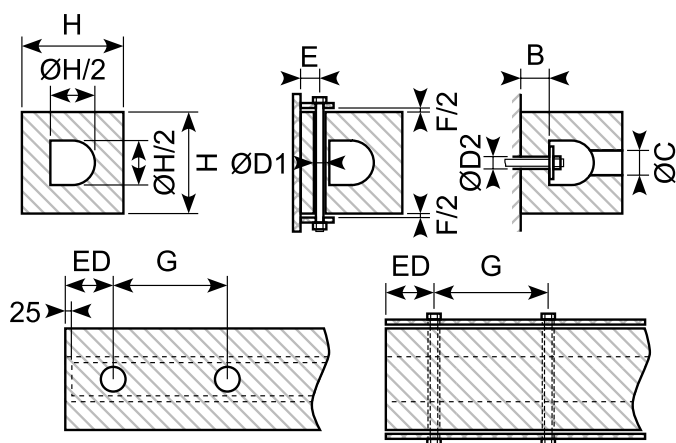
Længder fra 500 - 3.000 mm /
Lengths from 500 - 3.000 mm

DD-fender**



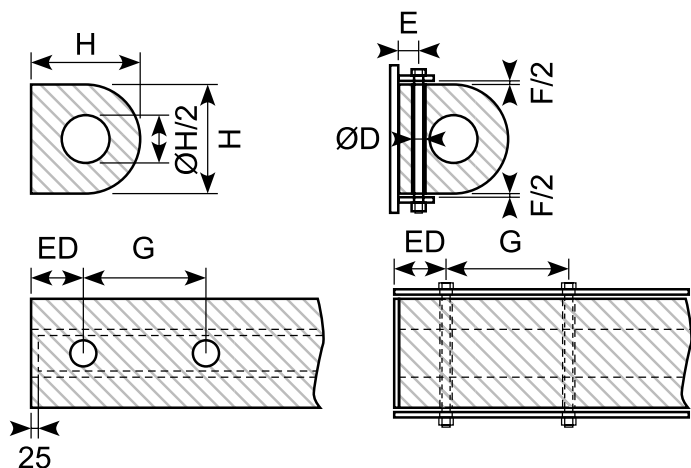
Art.	H (mm)	B (mm)	C (mm)	D1 (mm)	D2 (mm)	E (mm)	F (mm)	G (mm)	ED (mm)	Flat bar (mm)	Anchors	Weight (kg/m)
* 100 x 100	100	25	30	18	24	25	10	200-300	90-130	40 x 5	M12	8,3
39.DD150150 *	150	37,5	40	24	32	30	12	250-350	110-150	50 x 8	M16	18
* 200 x 200	200	50	50	30	40	45	15	300-400	130-180	70 x 10	M20	32
* 250 x 250	250	62,5	60	36	48	50	20	350-450	140-200	90 x 12	M24	50
39.DD300300 *	300	75	60	36	48	60	25	350-450	140-200	100 x 12	M24	72
39.DD350350 *	350	87,5	75	45	60	70	25	350-450	140-200	130 x 15	M30	103,6
* 380 x 380	380	95	75	45	60	80	30	350-450	140-200	140 x 15	M30	122,1
* 400 x 400	400	100	75	45	60	80	30	350-450	140-200	150 x 15	M30	128
* 500 x 500	500	125	90	54	72	90	40	400-500	160-230	180 x 20	M36	200

SD-fender**



Art.	H (mm)	B (mm)	C (mm)	D1 (mm)	D2 (mm)	E (mm)	F (mm)	G (mm)	ED (mm)	Flat bar (mm)	Anchors	Weight (kg/m)
* 100 x 100	100	25	30	18	24	25	10	200-300	90-130	40 x 5	M12	9,5
* 150 x 150	150	37,5	40	24	32	30	12	250-350	110-150	50 x 8	M16	22,1
* 200 x 200	200	50	50	30	40	45	15	300-400	130-180	70 x 10	M20	38,7
39.SD300250 *	300	62,5	60	36	48	50	20	350-450	140-200	90 x 12	M24	59,3
39.SD300300 *	300	75	60	36	48	60	25	350-450	140-200	100 x 12	M24	85
* 350 x 350	350	87,5	75	45	60	70	25	350-450	140-200	130 x 15	M30	116
* 400 x 400	400	100	75	45	60	80	30	350-450	140-200	150 x 15	M30	148,5
* 500 x 500	500	125	90	54	72	90	40	400-500	160-230	180 x 20	M36	232,1

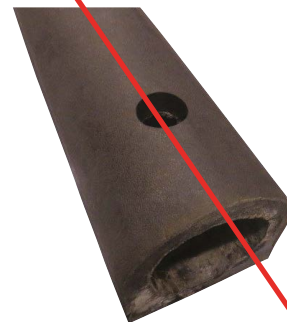
DC-fender



Art.	H (mm)	D (mm)	E (mm)	F (mm)	G (mm)	ED (mm)	Anchors	Weight (kg/m)
*	100 x 100	18	25	10	200-300	90-130	M12	9,9
*	150 x 150	24	30	12	250-350	110-150	M16	20
*	200 x 200	30	45	15	300-400	130-180	M20	37,4
*	250 x 250	36	50	20	350-450	140-200	M24	57,2
39.DC300300 *	300 x 300	36	60	25	350-450	140-200	M24	81,3
*	350 x 350	45	70	25	350-450	140-200	M30	109,5
*	400 x 400	45	80	30	350-450	140-200	M30	142
*	500 x 500	54	90	40	400-500	150-230	M36	208

39.BUMPER-FENDER **

150 x 150 x 900 mm med 3 huller Ø37 / Ø15 mm. Til personbiler/varevogne.

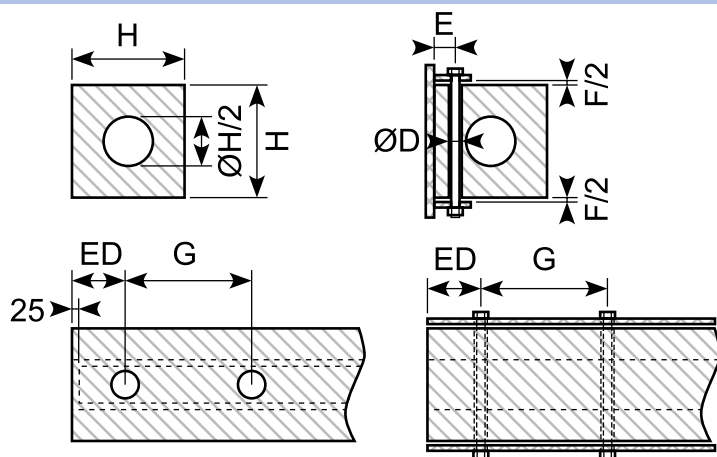


39.BUMPER-CAR

150 x 130 x 1.200 mm. Hjulstop/fender uden huller og montageplade til personbiler/varevogne.



SC-fender



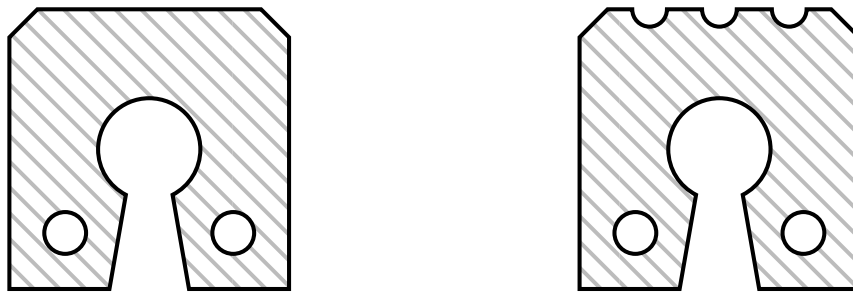
Art.	H (mm)	D (mm)	E (mm)	F (mm)	G (mm)	ED (mm)	Anchors	Weight (kg/m)
*	100 x 100	18	25	10	200-300	90-130	M12	11,1
*	150 x 150	24	30	12	250-350	110-150	M16	22,9
*	200 x 200	30	45	15	300-400	130-180	M20	42,6
*	250 x 250	36	50	20	350-450	140-200	M24	65,3
39.SC300300 *	300 x 300	36	60	25	350-450	140-200	M24	92,9
*	350 x 350	45	70	25	350-450	140-200	M30	117,6
*	400 x 400	45	80	30	350-450	140-200	M30	153,6
*	500 x 500	54	90	40	400-500	150-230	M36	240,1

39.BUMPER-CAR2

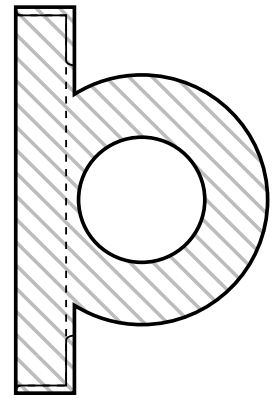
160 x 100 x 1.650 mm. Hjulstop med 3 huller til M12 montage til personbiler/varevogne.



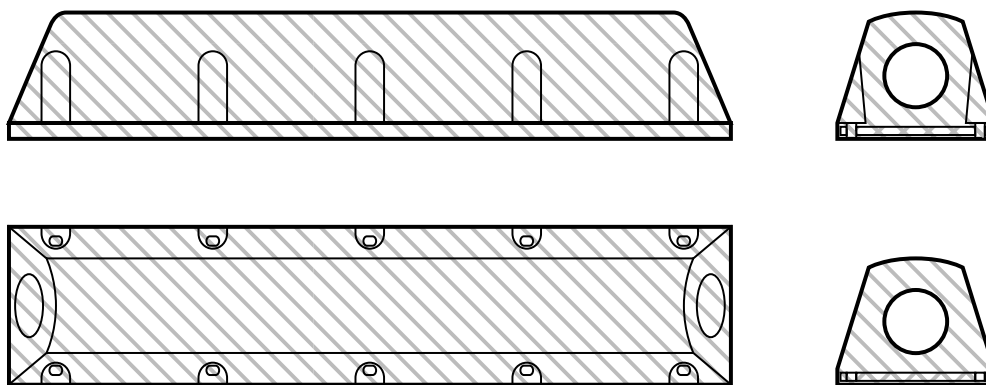
Keyhole fender *



Wing-type-fender *

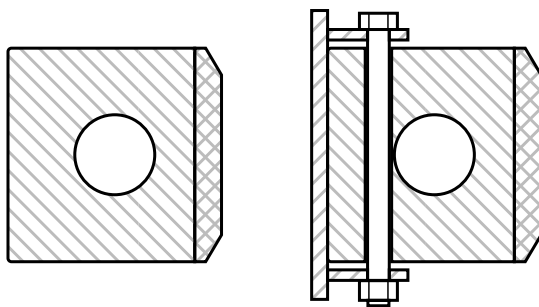


MC-fender *



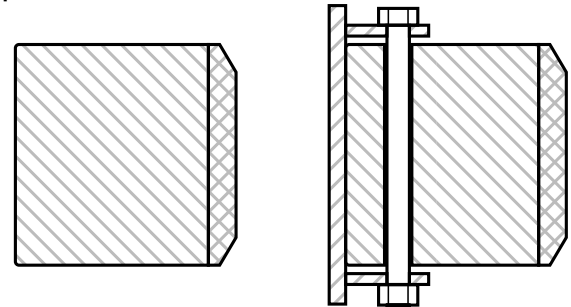
KF-A-fender

Composite front



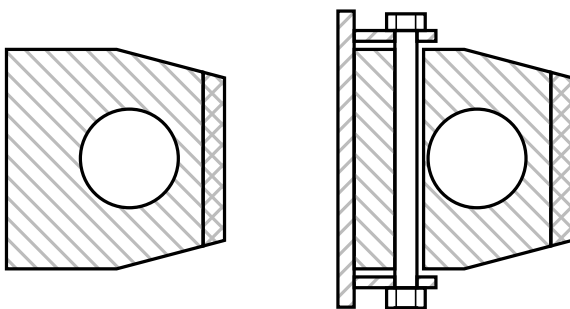
KF-B-fender *

Composite front



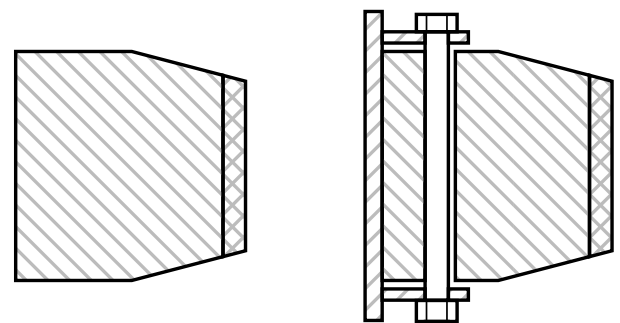
KF-C-fender *

Composite front



KF-D-fender *

Composite front



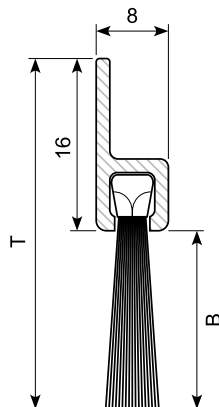
Børste- og flock-lister / Brush sections

Børsterne er som standard nylon, men kan også leveres med PP, hestehår eller rustfri tråd. Børsterne og skinnerne kan købes separat. Børstelisterne leveres i længder á 3 meter.

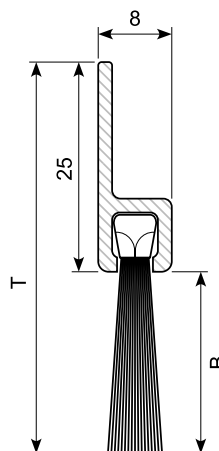
The brushes are usually made of nylon but can be delivered with PP, horse hairs or stainless steel wire. Brushes and rails can be purchased separately. Brush sections are supplied in length of 3 meters.

Art.	Type Tegning Drawing	B (mm) Børstelængde Brush length	T (mm) Totalhøjde Total height
57.400/3E	A	10	26
57.401/3E	A	14	30
57.402/3E	A	24	40
57.408/3E	A	34	50
57.403/3E	B	25	50
57.410/3E	B	35	60
57.405/3E	B	45	70
57.404/3E	C	40	90
57.406/3E	C	60	110
57.411/3E	C	80	130
57.407/3E	C	100	150
57.412/3E	C	120	170
57.413/3E	C	150	200

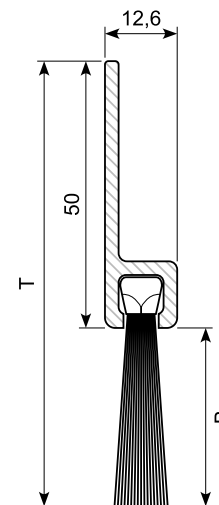
Type A



Type B

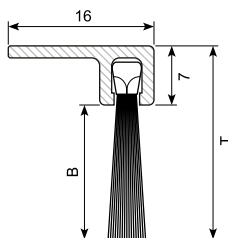


Type C

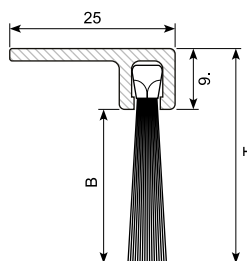


Art.	Type Tegning Drawing	B (mm) Børstelængde Brush length	T (mm) Totallængde Total length
57.440/3E	D	10	17
57.441/3E	D	14	21
57.442/3E	D	24	31
57.445/3E	D	34	41
57.443/3E	E	25	34
57.449/3E	E	35	44
57.444/3E	E	45	54
57.450/3E	F	40	53
57.446/3E	F	60	73
57.448/3E	F	80	93
57.447/3E	F	100	113
57.451/3E	F	120	133
57.452/3E	F	150	163

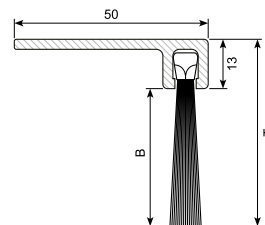
Type D



Type E

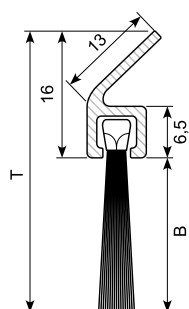


Type F

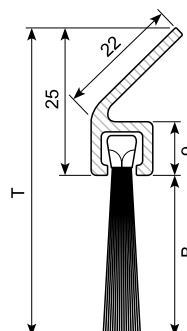


Art.	Type Tegning Drawing	B (mm) Børstelængde Brush length	T (mm) Totallængde Total length
57.453/3E	G	10	26
57.454/3E	G	14	30
57.455/3E	G	24	40
57.456/3E	G	34	50
57.423/3E	H	25	50
57.424/3E	H	35	60
57.425/3E	H	45	70
57.426/3E	I	40	87
57.427/3E	I	60	107
57.428/3E	I	80	127
57.429/3E	I	100	147
57.430/3E	I	120	167
57.431/3E	I	150	197

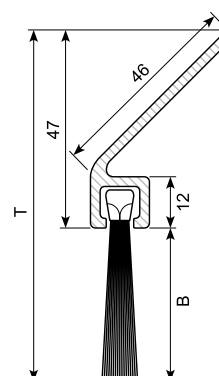
Type G



Type H

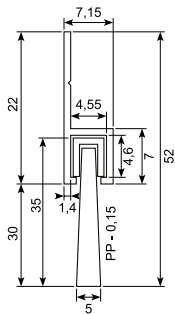


Type I



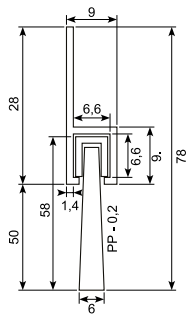
Børste- og flock-lister / Brush sections

57.403/2.5J



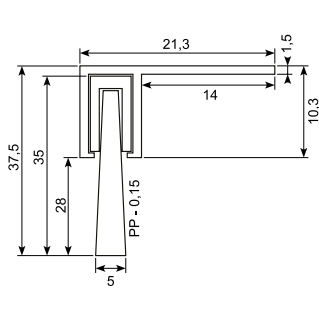
Material: Aluminium with polypropylene brush
Length: 2,5 m

57.405/2J



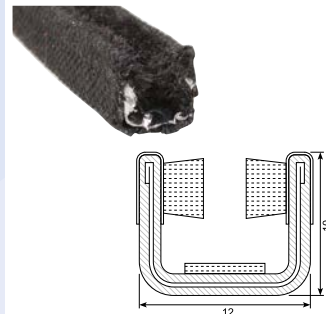
Material: Aluminium with polypropylene brush
Length: 2 m

57.443/2JP



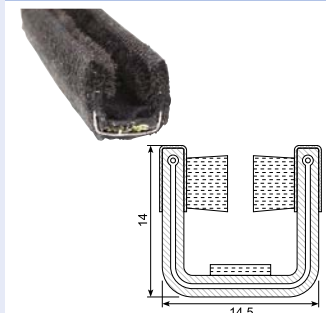
Material: Plastic with polypropylene brush
Length: 2 m

33.621



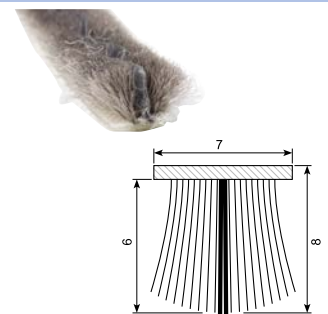
Rubber / fabric / brush
4 - 5 mm glass
Steel

33.623



Rubber / fabric / brush
4 - 6 mm glass
Steel

33.611 *



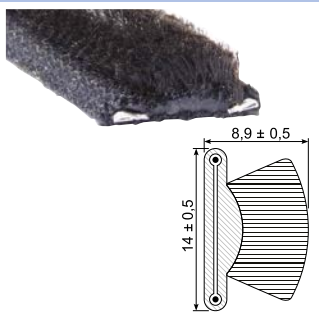
Self-adhesive list with brushes and waterproof center film
* Min. order 11.000 m

33.615

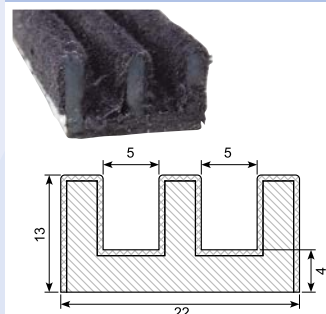


Self-adhesive list with brushes.

33.613

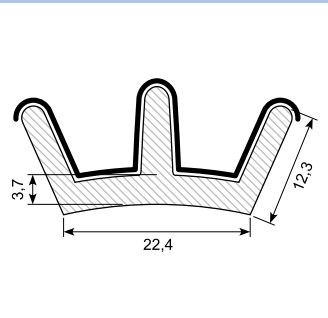


33.670



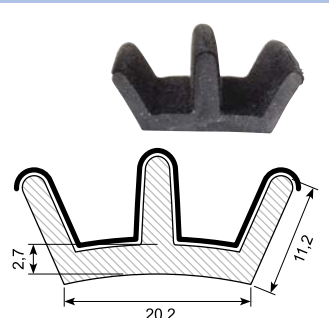
Flocked channel molding

33.671 *



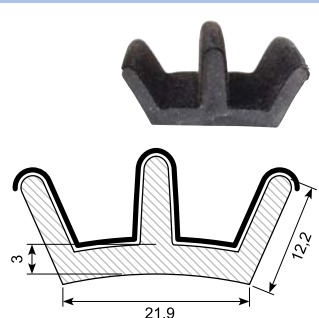
Material: EPDM
Density: 1,28
Hardness: SH 70
Min. order: 2.000 m
Flock: 3,3 dtex

33.672 *



Material: EPDM
Density: 1,28
Hardness: SH 70
Min. order: 2.000 m
Flock: 3,3 dtex

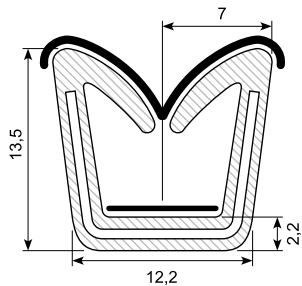
33.673 *



Material: EPDM
Density: 1,28
Hardness: SH 70
Min. order: 2.000 m
Flock: 3,3 dtex

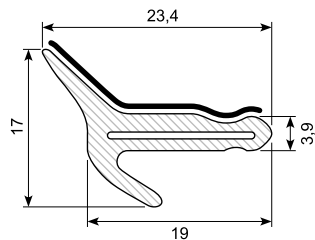
Børste- og flock-lister / Brush sections

33.674 *



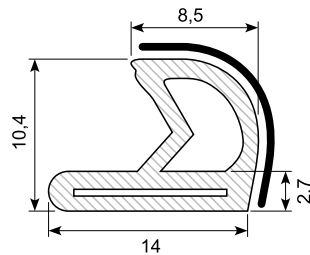
Material: EPDM
Density: 1,28
Hardness: SH 70
Min. order: 3.000 m
Flock: 3,3 dtex

33.675 *



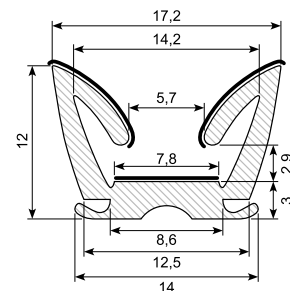
Material: EPDM
Density: 1,28
Hardness: SH 70
Min. order: 3.000 m
Flock: 3,3 dtex

33.676 *



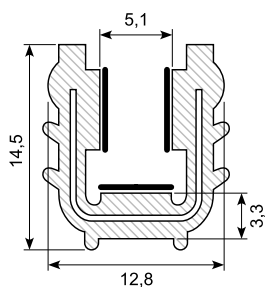
Material: EPDM
Density: 1,28
Hardness: SH 70
Min. order: 3.000 m
Flock: 3,3 dtex

30.13066 *



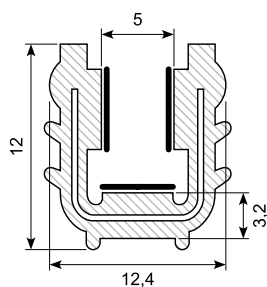
Material: EPDM
Density: 1,28
Hardness: SH 70
Min. order: 3.000 m
Flock: 3,3 dtex
Glass width: 5 mm

33.624 *



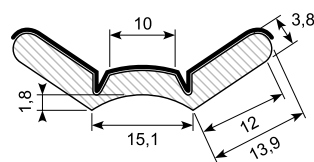
Material: EPDM
Density: 1,28
Hardness: SH 70
Min. order: 3.000 m
Flock: 3,3 dtex

33.625 *



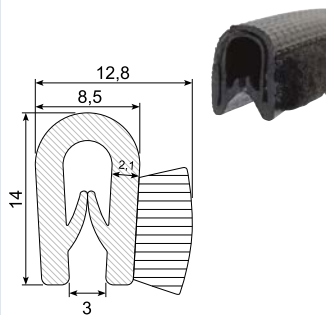
Material: EPDM
Density: 1,28
Hardness: SH 70
Min. order: 3.000 m
Flock: 3,3 dtex

30.14803 *



Material: EPDM
Density: 1,28
Hardness: SH 70
Min. order: 3.000 m
Flock: 3,3 dtex

33.416



Edge trim: PVC with brush
Grip range: 1 - 2,5 mm
Hardness: SH 78
Insert: 25 x 0,48 mm steel
New brush

Lydisolering / Soundproofing

Lydabsorption / Sound absorption

Selvklebende skum med Tedlarbelægning

Benyttes, alt afhængig af folieafdækning i førerkabiner, motorrum, kompressorer, generatorer, ventilatorer, turbiner, pumper og lignende.

Self-adhesive foam with Tedlar coat

Depending on the foil covers this is used in cabs, engine compartment, compressors, generators, fans, turbines, pumps or the like.

Art.	Farve / Color	Overflade / Surface	Dimension (mm)
48.603	Hvid / White	Plan 100% Plane 100%	20 x 1.200 x 1.500
48.604	Hvid / White	Plan 100% Plane 100%	30 x 1.200 x 1.500

Selvklebende skum med Bitumenindlæg

Self-adhesive foam with Bitumen inserts

Art.	Farve / Color	Overflade / Surface	Dimension (mm)
48.613K	Hvid / White	Plan 100% Plane 100%	33 x 600 x 1.000

Lydisolering / Soundproofing

Lydisoleringsmaterialer er typisk lavet af åbencellede, fleksible skummaterialer i tungere densiteter. Den forøgede densitet er opnået ved at anvende regenereret skum.

Anvendelsesområdet kan typisk være lydisolering af motorrum i lystbåde, vindmøllehuse, kompressorer og andre støjende maskiner, hvor det er muligt at adskille støjkilden fra det omliggende område.

Da der ofte skal etableres et kølende luftskifte i disse situationer, laver man en lydsluse beklædt med lydabsorptionsmateriale.

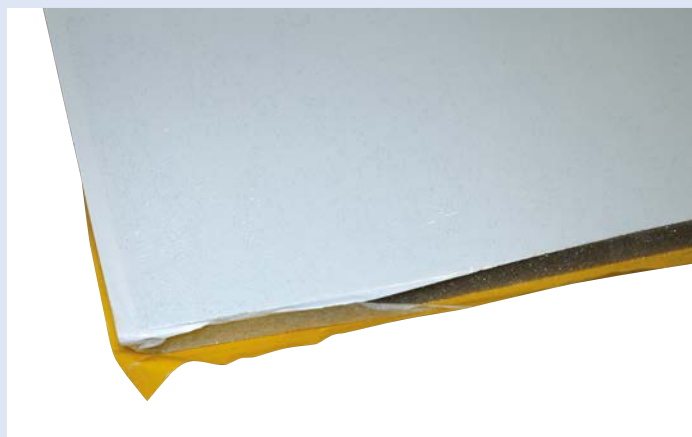
Granulat koldskum med enestående lydæmpningsevne. Benyttes til beklædning af motorrum, maskinafskærmninger, ventilationskamre og støjcabiner. Grundet den lave densitet kan den også, med fordel, anvendes som absorbent.



Art.	Overflade / Surface	Dimension (mm)
48.634	Ingen / None	20 x 500 x 1.000
48.635	Ingen / None	30 x 500 x 1.000
48.636	Ingen / None	40 x 500 x 1.000



Art.	Overflade / Surface	Dimension (mm)
48.634F	Folie / Foil	20 x 500 x 1.000
48.635F	Folie / Foil	30 x 500 x 1.000
48.636F	Folie / Foil	40 x 500 x 1.000
48.636FX	Folie / Foil	40 x 1.000 x 2.000



Self-adhesive foam with rubber surface

Selvklebende skum med gummi-overflade

Art.	Farve / Color	Overflade / Surface	Dimension (mm)
48.626	Sort / Black	Plan 100% Plane 100%	2 / 10 x 1.200 x 1.500

Soundproofing materials are typically made of open-celled, flexible foam materials in heavier densities. The increased density is achieved by using regenerated foam.

The field of application can typically be soundproofing of the engine compartment in yachting, wind turbine housings, compressors and other noisy machines where it is possible to separate the noise source from the surrounding area.

Because it is often necessary to assure a cooling air circulation in these situations you make a sound lock covered with soundproofing material.

Granulate cold foam with unique soundproofing ability. This is used for coating of engine compartment, machine guards, ventilation chambers and noise cabins. Due to the low density it may also be used as absorbent with advantage.



Art.	Overflade / Surface	Dimension (mm)
48.634K	Klæb / Glue	20 x 500 x 1.000
48.635K	Klæb / Glue	30 x 500 x 1.000
48.636K	Klæb / Glue	40 x 500 x 1.000



Art.	Overflade / Surface	Dimension (mm)
48.634KF	Folie og klæb / Foil and glue	20 x 500 x 1.000
48.635KF	Folie og klæb / Foil and glue	30 x 500 x 1.000
48.636KF	Folie og klæb / Foil and glue	40 x 500 x 1.000

Lydisolering / Soundproofing

Lydabsorption / Sound absorption

Lydabsorptionsmaterialer (PU) er typisk lavet af åbencellede, fleksible skummaterialer i lettere densiteter.

Anvendelsesområdet vil typisk være indvendig beklædning af førerkabiner, støjskærme, lydsluger, kanalvægge og lignende situationer, hvor det ikke er muligt at adskille støj-kilden fra det omkringliggende område.

Soundproofing materials (PU) are typically made of open-celled, flexible foam materials in lighter densities.

The field of application will typically be interior sheathing of cabs, noise barriers, sound locks, canal walls and similar situations where it is not possible to separate the noise source from the surrounding area.

Selvklæbende skum uden folie

Anvendes til indvendig beklædning af motorrum, maskinafsærmninger, støjkabiner, el-styretavler, paneler, indlæg i emballage m.m.

Self-adhesive foam without foil

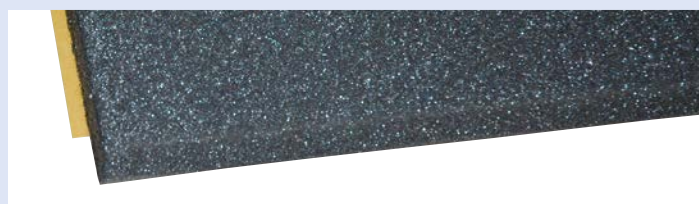
This is used for interior sheathing of engine compartment, machine guards, noise cabins, electrical control panels, panels and inserts in packaging with more.

Selvklæbende skum med PVC-folie

Benyttes, afhængig af folieafdækning, til beklædning i førerkabiner, motorrum, kompressorer, generatorer, ventilatorer, turbiner, pumper og lignende.

Self-adhesive foam with PVC foil

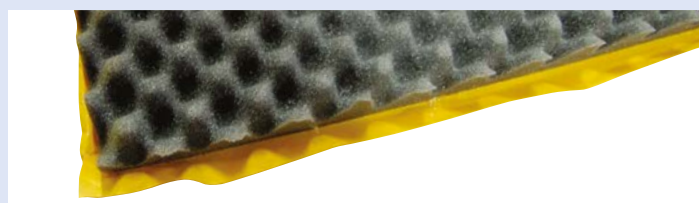
Depending on the foil covers this is used for sheathing in cabs, engine compartment, compressors, generators, fans, turbines, pumps or the like.



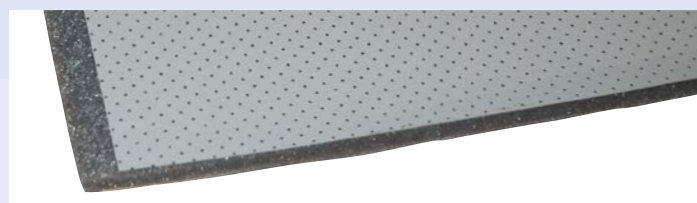
Art.	Overflade / Surface	Dimension (mm)
48.621	Plan / Plane	10 x 1.200 x 1.500
48.622	Plan / Plane	20 x 1.200 x 1.500
48.622X	Plan / Plane	30 x 1.200 x 1.500



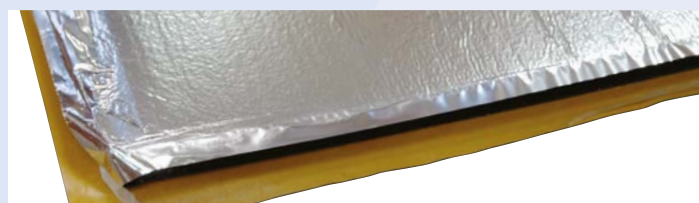
Art.	Farve / Color	Overflade / Surface	Dimension (mm)
48.605X	Sort / Black	2% perforated	10 x 1.200 x 1.500
48.605	Sort / Black	2% perforated	20 x 1.200 x 1.500
48.605Y	Sort / Black	2% perforated	30 x 1.200 x 1.500



Art.	Overflade / Surface	Dimension (mm)
48.623	Æggebakke / Egg tray	30 / 15 x 1200 x 1500
48.624	Æggebakke / Egg tray	40 / 20 x 1200 x 1500
48.623X	Æggebakke / Egg tray	30 / 15 x 1.200 x 2.000



Art.	Farve / Color	Overflade / Surface	Dimension (mm)
48.451	Grå / Grey	2 % perf. / pap 2 % perf. / cardboard	10 x 1.000 x 1.500
48.452	Grå / Grey	2 % perf. / pap 2 % perf. / cardboard	20 x 1.000 x 1.500



Art.	Color	Surface	Dimension (mm)
48.608	Alu.	Plane 100%	20 x 1.200 x 1.500
48.609	Alu.	Plane 100%	30 x 1.200 x 1.500



Art.	Color	Surface	Dimension (mm)
48.605B *	Brown	2 % perforated	20 x 1.200 x 1.500

Min. order: 10 pcs.

Lydisolering / Soundproofing

Soundproofing / Lyddæmpning

Lyddæmpningsmaterialer er typisk lavet af hårdt og tungt materiale.

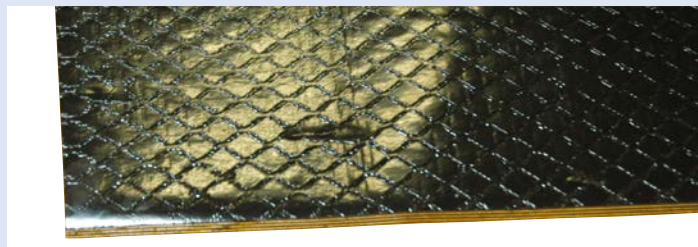
Anvendelsesmulighederne kan typisk være dæmpning af store pladearealer, bundplader i biler/maskiner, dørsider og andre steder hvor der kan opstå resonans.

Soundproofing materials are typically made of hard and heavy material.

The field of application can typically be damping of large plate areas, bottom plates in cars / machinery, doors and other places where there may be resonance.

Bitumenplader er kunststofbasis

Bitumen plates are based on synthetic material



Art.	Surface	Pack	Dimension (mm)
48.544A	Adhesive	4 pk.	500 x 500 x 3
48.542	Adhesive	6 pk.	500 x 250



Art.	Surface	Pack	Thickness (mm)	Dimension (mm)
48.442	Adhesive	1 pc	1,7	500 x 1.050



Art.	Surface	Pack	Thickness (mm)	Dimension (mm)
48.612	Adhesive	1 pc	3	750 x 1.200



Varenr.	Thickness (mm)	Dimension (mm)
48.618	10	1.250 x 1.500

Tilbehør / Accessory

68.4250



Alutape til samling af motorisolerings. 50 mm x 10 m.
Alu tape for the assembly of motor insulation. 50 mm x 10 m.

63.550300 **



Plastskive Ø50 mm til montering af motorisolerings.
Plastic disc with 50 mm diameter for mounting of motor insulation.



KINA GUMMIPLADER - COMMERCIAL QUALITY

Varene er prisgunstige alternativer til Europa plader. Ikke en erstatning for europæiske kvaliteter.

Hele ruller leveres i plastfolie. Pladerne er et godt alternativ til hovedparten af de gængse opgaver. Anbefales ikke til højkvalitetspakninger med store krav til tolerancer og mekanisk styrke. Sammenlign evt. de tekniske beskrivelser. Pladerne har større tykkelsestolerancer end de europæiske. Mange andre kvaliteter kan skaffes i større mængder.

CHINA RUBBER SHEETS - COMMERCIAL QUALITY

Excellent alternatives to European sheets at very favourable prices. SHOULD NOT be understood as a substitute for European qualities. The rubber sheets are delivered on rolls wrapped in plastic. The sheets are good alternatives for most common tasks. Cannot be recommended for high-quality seals with high demands on tolerances and mechanical strength. In case of doubt please compare the technical descriptions. The sheets have higher tolerances on thickness than the European ones. Many other qualities are available if large quantities are required.

Gummimåtter / Rubber sheets

Sort prisgunstig gummiplade til almen brug, hvor der ikke stilles større krav til trækstyrke. Bruges til pakninger, mellemlæg m.m.

Black commercial rubber mat for normal use, where there are no specific demands on tensile strength. Useful for seals.

Art.	Thickness (mm)	Width (mm)	Length (mm)	Insertion
38.400-2	2	1.400	20.000	1
38.400-3	3	1.400	20.000	1
38.400-4	4	1.400	20.000	1
38.400-5	5	1.400	10.000	1
38.400-6/650	6	650	10.000	2
38.400-6	6	1.400	10.000	2
38.400-8	8	1.400	10.000	2
38.400-10	10	1.400	10.000	2
38.400-12	12	1.400	10.000	2
38.400-15	15	1.400	5.000	0
38.400-20	20	1.400	5.000	0
38.400-25	25	1.400	5.000	0

Data	
Gummi / Rubber	NR / SBR
Farve / Color	Black
Kvalitet / Quality	Commercial
Hårdhed / Hardness - Shore A	70
Densitet / Gravity - g/cm ³	1,55
Forlængelse / Elongation - %	200
Arbejdstemperatur / Working temperature - °C	-20 +70
Trækstyrke / Tensile strength - N/mm ²	4

Blød paragummi/naturgummi / Soft para rubber

Rød naturgummiplade. Meget blød, meget elastisk, stor friktion.

Red natural rubber sheet, very soft. Highly elastic, good friction.

Art.	Thickness (mm)	Width (mm)	Length (mm)	Insertion
38.401-2	2	1.400	10.000	0
38.401-3	3	1.400	10.000	0
38.401-4	4	1.400	10.000	0
38.401-5	5	1.400	10.000	0
38.401-6	6	1.400	10.000	0
38.401-10	10	1.400	10.000	0
38.401-15	15	14.000	5.000	0
38.401-20	20	14.000	5.000	0

Data	
Gummi / Rubber	Natur
Farve / Color	Rød / Red
Kvalitet / Quality	Commercial
Hårdhed / Hardness - Shore A	40
Densitet / Gravity - g/cm ³	1,25
Forlængelse / Elongation - %	550
Arbejdstemperatur / Working temperature - °C	-20 +90
Trækstyrke / Tensile strength - N/mm ²	18

Kinagummiplader / Rubber sheets from China

EPDM Gummi Sort / Black

Sort EPDM gummi, meget god ozon- og vejrbestandighed. God temperaturlbestandighed.

Art.	Thickness (mm)	Width (mm)	Length (mm)	Insertion
38.402-0,5	0,5	1.200	10.000	0
38.402-1X	1	1.400	20.000	0
38.402-2X	2	1.400	10.000	0
38.402-3X	3	1.400	10.000	0
38.402-4X	4	1.400	10.000	0
38.402-5X	5	1.400	10.000	0
38.402-8X	8	1.400	5.000	0

Black EPDM rubber with high resistance to ozon and climate. Very resistant to cold and hot applications.

Data	
Gummi / Rubber	EPDM
Farve / Color	Sort / Black
Kvalitet / Quality	Commercial
Hårdhed / Hardness - Shore A	70
Densitet / Gravity - g/cm ³	1,30
Forlængelse / Elongation - %	300
Arbejdstemperatur / Working temperature - °C	-40 +100
Trækstyrke / Tensile strength - N/mm ²	6 - 7

CR / Chloroprene Sort / Black

Sort CR gummiplade god vejrvind- og ozonbestandighed, egnet hvor der ikke stilles krav til træk/rivstyrke. Betinget oliebestandig.

Art.	Thickness (mm)	Width (mm)	Length (mm)	Insertion
38.403-2	2	1.400	20.000	0
38.403-3	3	1.400	20.000	0
38.403-4	4	1.400	20.000	0
38.403-5	5	1.400	10.000	0
38.403-6	6	1.400	10.000	0
38.403-8	8	1.400	10.000	0

Black CR rubber plate, good climate resistance, used where there are no specific demands to tensile strength. Conditional oil resistance.

Data	
Gummi / Rubber	CR
Farve / Color	Sort / Black
Kvalitet / Quality	Commercial
Hårdhed / Hardness - Shore A	65
Densitet / Gravity - g/cm ³	1,55
Forlængelse / Elongation - %	280
Arbejdstemperatur / Working temperature - °C	-40 +90
Trækstyrke / Tensile strength - N/mm ²	3,5

NBR / NITRIL - Sort / Black

Sort prisgunstig nitril med gode mekaniske egenskaber. Egnet til alle alifatisk og aromatiske olier, benzin.

Art.	Thickness (mm)	Width (mm)	Length (mm)	Insertion
38.404-2	2	1.400	20.000	0
38.404-3	3	1.400	20.000	0
38.404-4	4	1.400	20.000	0
38.404-5	5	1.400	10.000	0
38.404-6	6	1.400	10.000	0
38.404-8	8	1.400	10.000	0
38.404-10	10	1.400	10.000	0
38.404-12	12	1.400	5.000	0
38.404-15	15	1.400	5.000	0
38.404-20 *	20	1.400	5.000	0

Black commercial nitrile with good mechanical properties. Recommended for alifatic and aromatic oils, petrol.

Data	
Hårdhed / Hardness - Shore A	70
Densitet / Density - g/cm ³	1,49
Kvalitet / Quality	Commercial
Forlængelse / Elongation - %	330
Arbejdstemperatur / Working temperature - °C	-30 +70
Trækstyrke / Tensile strength - N/mm ²	10

Slid-gummi / Wearing rubber - Sort / Black

Slidgummi med høj træk/rivstyrke. Egnet til alle stærkt slidende applikationer, grusgrave, sandblæsekabiner

Art.	Thickness (mm)	Width (mm)	Length (mm)	Insertion
38.405-6	6	1.400	10.000	0
38.405-8	8	1.400	10.000	0
38.405-10	10	1.400	10.000	0
38.405-10X *	10	2.000	10.000	0
38.405-15	15	1.400	10.000	0
38.405-20 *	20	1.400	5.000	0
38.405-40 *	40	1.200	7.000	0

Wearing/abrasion rubber with high tensile strength. Recommended for wearing application, gravel pits, sandblasting.

Data	
Hårdhed / Hardness - Shore A	60
Densitet / Density - g/cm ³	1,30
Forlængelse / Elongation - %	400
Arbejdstemperatur / Working temperature - °C	-30 +70
Trækstyrke / Tensile strength - N/mm ²	15

Kinagummiplader / Rubber sheets from China

Viton-gummi

Art.	Thickness (mm)	Width (mm)	Length (mm)	Insertion
38.429-2 *	2	1.200	10.000	0

Min. order: 12 m²

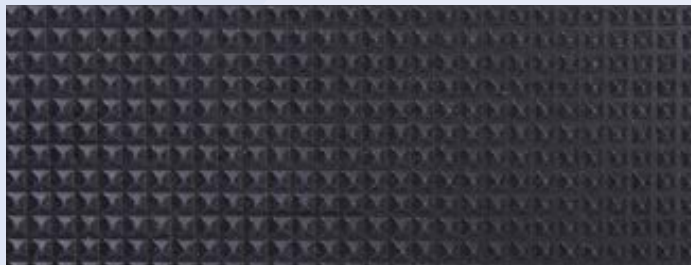
Data	
Hårdhed / Hardness - Shore A	70
Densitet / Density - g/cm ³	-
Forlængelse / Elongation - %	250
Arbejdtemperatur / Working temperature - °C	-
Trækstyrke / Tensile strength - N/mm ²	7

Pyramide måtte

NR / SBR = Natur / SBR

Måtte til industrigulve og maskinområder, varehuse, trafikerede områder, skridsikker overflade.

Recommended for high traffic areas such as metro, airports, supermarkets, lifts, buses, trains, trucks, boats.



Art.	Thickness (mm)	Width (mm)	Length (mm)	Insertion	Quality
38.432	3	1.200	10.000	0	Commercial

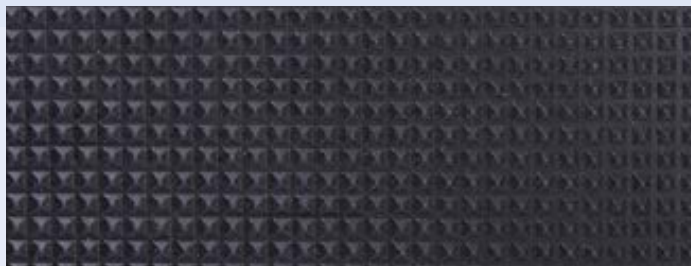
Data	NR / SBR Commercial
Hårdhed / Hardness - Shore A	70
Densitet / Density - g/cm ³	1,5
Forlængelse / Elongation - %	200
Arbejdtemperatur / Working temperature - °C	-20 +70
Trækstyrke / Tensile strength - N/mm ²	3

Rice måtte

NR / SBR = Natur / SBR

Måtte til industrigulve og maskinområder, varehuse, trafikerede områder, skridsikker overflade.

Recommended for high traffic areas such as metro, airports, supermarkets, lifts, buses, trains, trucks, boats.



Art.	Thickness (mm)	Width (mm)	Length (mm)	Insertion	Quality
38.433	5	1.200	10.000	0	Commercial

Data	NR / SBR Commercial
Hårdhed / Hardness - Shore A	70
Densitet / Density - g/cm ³	1,5
Forlængelse / Elongation - %	200
Arbejdtemperatur / Working temperature - °C	-20 +70
Trækstyrke / Tensile strength - N/mm ²	3

Kinagummiplader / Rubber sheets from China

Knopmätte / Studded Flooring

Knopmätte, anbefales til trafikerede arealer, metro, lufthavne, supermarkeder, elevatorer, busser, toge, lastbiler, både m.m.

Studded flooring, recommended for high traffic areas such as metro, airports, supermarkets, lifts, buses, trains, trucks, boats.



Art.	Thickness (mm)	Width (mm)	Length (mm)	Insertion	Color
38.427-3C	3,5	1.200	10.000	0	Black
38.427-3GC	3,5	1.200	10.000	0	Grey

Data	Black	Grey
Hårdhed / Hardness - Shore A	65 - 70	65 - 70
Densitet / Density - g/cm ³	1,5	1,6
Kvalitet SBR / Quality SBR	Commercial	Commercial
Forlængelse / Elongation - %	150	150
Arbejdstemperatur / Working temperature - °C	-20 +70	-20 +70
Brudstyrke / Tear resistance - N/mm ²	3	3

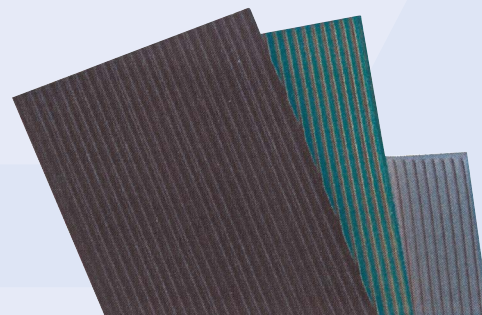
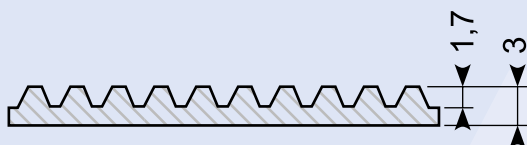
NR/SBR - Sort / Black - Grå / Grey

** = sort / black - 100% virgin quality SBR

Lugtfri / non-smelling

Finnriflet gummiplade, skridsikker plade til kabiner, arbejdsborde, hylder, gangarealer, køretøjer, sportsaktiviteter, udstillinger.

Fine-ribbed rubber mat, non-slip coverings for cabins, working benches, shelves, corridors, vehicles, sporting facilities, exhibition floors.



Art.	Thickness (mm)	Width (mm)	Length (mm)	Insertion	Color
38.407-3X **	3	1200	20000	0	Black
38.407-3 **	3	1400	20000	0	Black
38.407-3C	3	1400	20000	0	Black
38.407-3G	3	1400	20000	0	Grey
38.407-3XL	3,5	1.800	10.000	0	Black

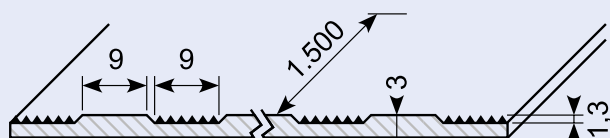
Data	38.407-3C	**
Hårdhed / Hardness - Shore A	70	70
Densitet / Density - g/cm ³	1,6	1,6
Forlængelse / Elongation - %	280	280
Arbejdstemperatur / Working temperature - °C	-10 +70	-20 +70
Trækstyrke / Tensile strength - N/mm ²	3,5	5

Busmätte / Bus mats

NR / SBR = Natur / SBR

Mellemriflet plade, egnet til gulv og vægbeklædning til busser, både, dyretransport, værksteder mm.

Medium-ribbed mat, recommended for floors and walls for buses, boats, animal transport, work shops.



Art.	Thickness (mm)	Width (mm)	Length (mm)	Insertion
38.418	3	1.500	15.000	0
38.418N	3	1.500	15.000	0

Data	38.418 NR / SBR	38.418N NBR
Hårdhed / Hardness - Shore A	70	70
Densitet / Density - g/cm ³	1,6	1,45
Kvalitet / Quality	Commercial	Commercial
Forlængelse / Elongation - %	280	250
Arbejdstemperatur / Working temperature - °C	-10 +70	-10 +70
Trækstyrke / Tensile strength - N/mm ²	3,5	6

* Skaffevare / Special order item

00129-5-k201902 - SINDBY PROFILES 5

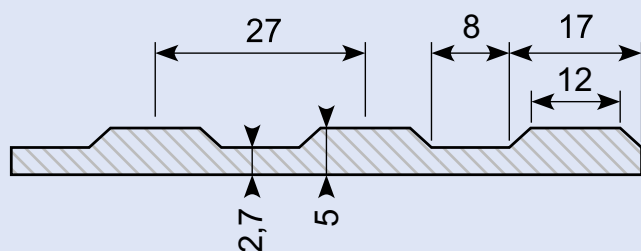
Kinagummiplader / Rubber sheets from China

Busmåtte / Bus mats

NR / SBR = Natur / SBR

Bredrifflet måtte, egnet til gulv og vægbeklædning til busser, både, dyretransport, værksteder mm.

Wide-ribbed mat, recommended for floors and walls for buses, boats, animal transport, work shops.



Art.	Thickness (mm)	Width (mm)	Length (mm)	Insertion	Quality
38.434A	5	1.200	10.000	0	Commercial



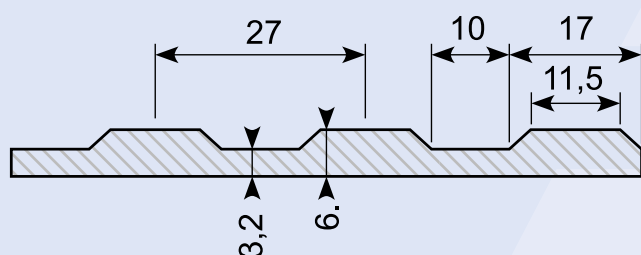
Data	NR / SBR Commercial
Hårdhed / Hardness - Shore A	65
Densitet / Density - g/cm ³	1,5
Forlængelse / Elongation - %	200
Arbejdstemperatur / Working temperature - °C	-25 +70
Trækstyrke / Tensile strength - N/mm ²	3

Busmåtte / Bus mats

NR / SBR = Natur / SBR

Bredrifflet måtte, egnet til gulv og vægbeklædning til busser, både, dyretransport, værksteder mm.

Wide-ribbed mat, recommended for floors and walls for buses, boats, animal transport, work shops.



Art.	Thickness (mm)	Width (mm)	Length (mm)	Insertion	Quality
38.434	6	1.200	10.000	0	Commercial



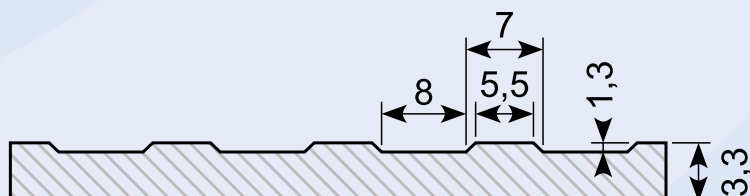
Data	NR / SBR Commercial
Hårdhed / Hardness - Shore A	70
Densitet / Density - g/cm ³	1,5
Forlængelse / Elongation - %	200
Arbejdstemperatur / Working temperature - °C	-20 +70
Trækstyrke / Tensile strength - N/mm ²	3

Busmåtte / Bus mats

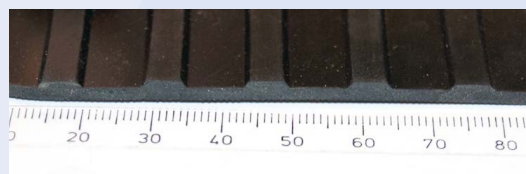
NR / SBR = Natur / SBR

Light-ribbed XL måtte, egnet til gulv og vægbeklædning til busser, både, dyretransport, værksteder mm.

Light-ribbed XL mat, recommended for floors and walls for buses, boats, animal transport, work shops.



Art.	Thickness (mm)	Width (mm)	Length (mm)	Insertion	Quality
38.419C	3 (3,3)	1.400	20.000	0	Commercial
38.435C	5	1.600	10.000	0	Commercial



Data	NR / SBR Commercial
Hårdhed / Hardness - Shore A	65
Densitet / Density - g/cm ³	1,5
Forlængelse / Elongation - %	200
Arbejdstemperatur / Working temperature - °C	-25 +70
Trækstyrke / Tensile strength - N/mm ²	3

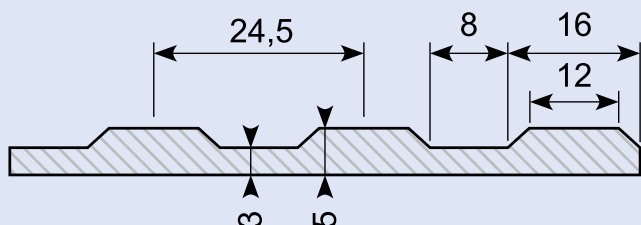
Kinagummiplader / Rubber sheets from China

Busmåtte / Bus mats

NR / SBR = Natur / SBR

Bredrifflet måtte standard, egnet til gulv og vægbeklædning til busser, både, dyretransport, værksteder mm.

Wide-ribbed mat standard, recommended for floors and walls for buses, boats, animal transport, work shops.



Art.	Thickness (mm)	Width (mm)	Length (mm)	Insertion	Quality
38.420CX	5	2.000	10.000	0	Commercial
38.420X	5	2.000	10.000	0	New rubber
38.420XL	5	2.000	20.000	0	New rubber



Data	NR / SBR Commercial	NR / SBR New rubber
Hårdhed / Hardness - Shore A	65	65
Densitet / Density - g/cm ³	1,45	1,45
Forlængelse / Elongation - %	150	280
Arbejdtemperatur / Working temperature - °C	-30 +100	-30 +100
Trækstyrke / Tensile strength - N/mm ²	3	5

NR/SBR = Natur / SBR

New rubber = No regenerated rubber used. Lugtfri / non smelling
C = commercial quality

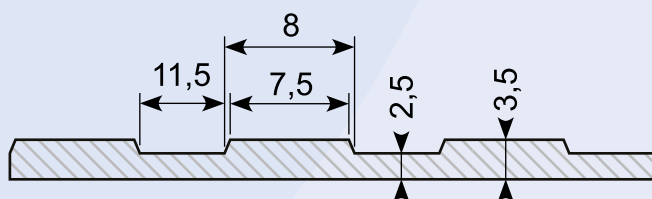
Busmåtte / Bus mats

NR / SBR = Natur / SBR

Medium-ribbed måtte, egnet til gulv og vægbeklædning til busser, både, dyretransport, værksteder mm.

Medium-ribbed mat, recommended for floors and walls for buses, boats, animal transport, work shops.

Commercial



Art.	Thickness (mm)	Width (mm)	Length (mm)	Insertion	Quality
38.419A	3,5	2.000	10.000	0	New rubber
38.436C	5	2.000	10.000	0	Commercial



Data	NR / SBR Commercial	NR / SBR New rubber
Hårdhed / Hardness - Shore A	65	65
Densitet / Density - g/cm ³	1,45	1,45
Forlængelse / Elongation - %	150%	280%
Arbejdtemperatur / Working temperature - °C	-30 +100	-30 +100
Trækstyrke / Tensile strength - N/mm ²	3	5

Kinagummiplader / Rubber sheets from China

Dørkmatte / Checker mat

Dørkmatte til industrigulve og maskinområder, varehuse, trafikerede områder, skridsikker overflade.

Recommended for high traffic areas such as metro, airports, supermarkets, lifts, buses, trains, trucks, boats.

Art.	Thick-ness (mm)	Width (mm)	Length (mm)	Inser-tion	Quality
38.425-3C	3	1.400	10.000	0	Commercial
38.425-5C	5	1.400	10.000	0	Commercial
38.425N-3	3	1.400	10.000	0	NBR
38.425N-5	5	1.400	10.000	0	NBR
38.426-3CX	3	1.600	10.000	0	Commercial
38.426-3C	3	2.000	10.000	0	Commercial **
38.426-5CX	5	1.600	10.000	0	Commercial
38.426-5C	5	2.000	10.000	0	Commercial **
38.426-8C	8	2.000	10.000	0	Commercial

NR/SBR = Natur / SBR

NBR = Oliebestandig / oil resistant

New rubber = No regenerated rubber used. Lugtfri / non smelling

Art.	Thick-ness (mm)	Width (mm)	Length (mm)	Inser-tion	Quality
38.425-3	3	1.400	10.000	0	New rubber
38.425-5	5	1.400	10.000	0	New rubber
38.426-3XL**	3	1.800	10.000	0	New rubber **
38.426-3	3	2.000	10.000	0	New rubber **
38.426-5	5	2.000	10.000	0	New rubber **

NR/SBR = Natur / SBR

NBR = Oliebestandig / oil resistant

New rubber = No regenerated rubber used. Lugtfri / non smelling

Diamond plate

NR / SBR = Natur / SBR

Matte til industrigulve og maskinområder, varehuse, trafikerede områder, skridsikker overflade.

Recommended for high traffic areas such as metro, airports, supermarkets, lifts, buses, trains, trucks, boats.

Art.	Thickness (mm)	Width (mm)	Length (mm)	Insertion	Quality
38.431	3	1.400	10.000	0	Commercial
38.431-3	3	1.800	10.000	0	PAK Free
38.431-5	5	1.800	10.000	0	PAK Free

Data	NR / SBR Commercial	PAK Free
Hårdhed / Hardness - Shore A	70	65
Densitet / Density - g/cm ³	1,5	1,4
Forlængelse / Elongation - %	200	200
Arbejdstemperatur / Working temperature - °C	-20 +70	-20 +70
Trækstyrke / Tensile strength - N/mm ²	3	3

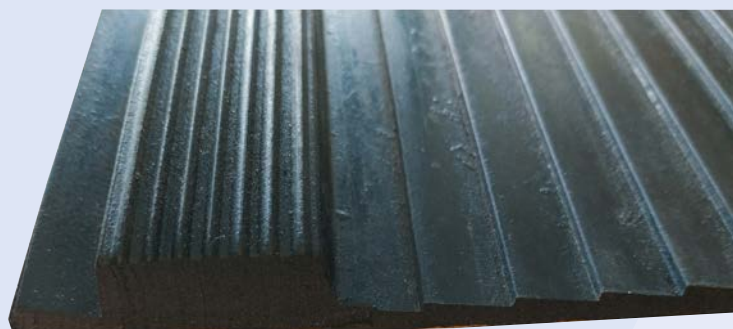


Data	NR / SBR Commercial	NR / SBR Commercial **	NBR
Hårdhed / Hardness - Shore A	65	70	70
Densitet / Density - g/cm ³	1,5	1,5	1,45
Forlængelse / Elongation - %	250	180	250
Arbejdstemperatur / Working temperature - °C	-10 +70	-10 +70	-10 +70
Trækstyrke / Tensile strength - N/m ²	3	3	6

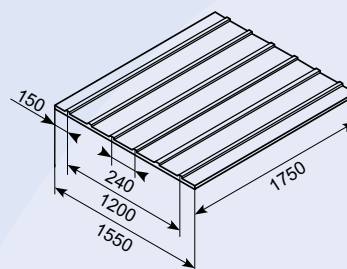
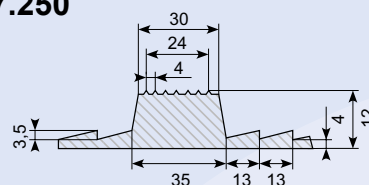
Data	NR / SBR New rubber	NR / SBR New rubber **
Hårdhed / Hardness - Shore A	70	65
Densitet / Density - g/cm ³	1,6	1,35
Forlængelse / Elongation - %	350	250
Arbejdstemperatur / Working temperature - °C	-10 +70	-10 +70
Trækstyrke / Tensile strength - N/mm ²	5	5



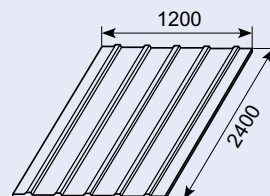
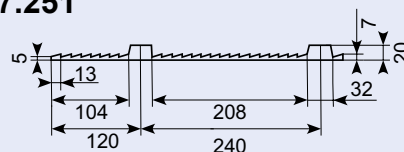
Rampemåtte / Rear Board Metting



37.250

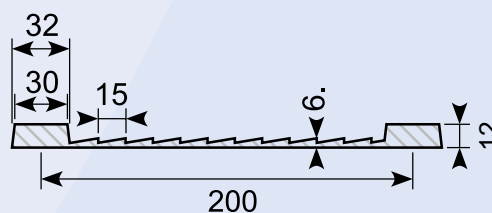


37.251

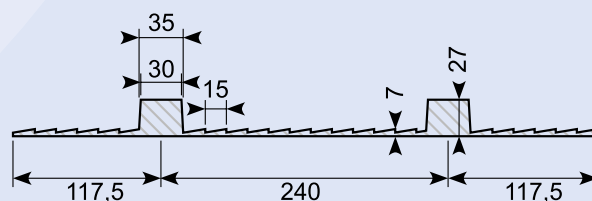


Art.	Hårdhed	Densitet g/cm ³	Forlængelse %	Arbejdstemperatur °C	Trækstyrke mpa	Tykkelse mm	Ribbredde mm	Bredde mm	Højde mm	Vægt kg
37.250 Rampemåtte 12 mm	SBR 65	1,25	400	-30 +80	8	7,5/12	30-35	1750	1550	28
37.251 Rampemåtte 20 mm	SBR 65	1,50	300	-30 +70	5	7/20	28-32	2400	1200	38-40

37.250X: SBR - Sort / Black - Commercial



37.251X: SBR - Sort / Black - Commercial

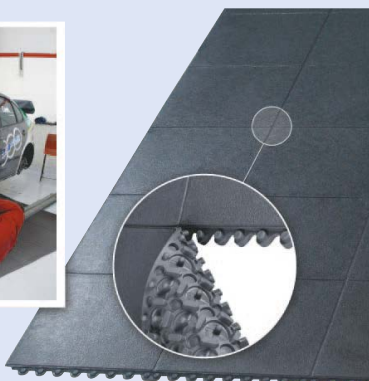
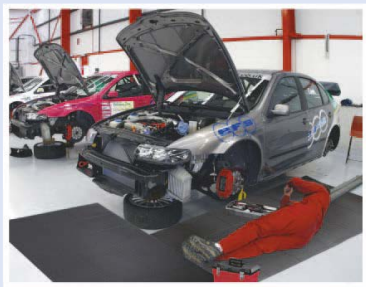


Art.	Hårdhed	Densitet g/cm ³	Forlængelse %	Arbejdstemperatur °C	Trækstyrke N/mm ²	Tykkelse mm	Vidde mm	Længde mm
37.250X*	SBR 70	1,5	250	-40 +80	4	6/12	1.750	1.550
37.251X*	SBR 65	1,55	200	-20 +75	4,5	7/27	2.400	1.200

* Skaffevare: Min. 80 stk. / Special order item: Min. 80 pcs.

Gummimåtter / Rubber mats

Ergo Solid



Ergo Solid - tegn på ergonomisk indsigt

Ergo Solid er en nitrilgummimåtte med fantastiske gode aflastnings-egenskaber og slidstyrke. Pladerne kan sammensættes fleksibelt uden anvendelse af samlingsstykker. Velegnet til arbejdspladser i industrien med enten tørt eller fedtet miljø.

- Tåler kontakt med varmt værktøj
- oliebestandig
- Ryg og ben aflastes effektivt, hvilket resulterer i høj produktivitet og lavere sygefravær
- Affasede kanter minimerer risikoen for at snuble - findes ligeledes i gul for markering af arbejdsområde m.v.

Ergo Solid - shows ergonomical knowledge

Ergo Solid is a wear-resistant nitril rubber mat with excellent strain relief. The sheets may be joined together without the use of fittings. Suitable for workplaces in the industrial field - for dry or greasy environments.

- Tolerates contact with hot tools
- Oil resistant
- Bag and legs are effectively relieved resulting in a high productivity and less absence due to sickness.
- Chamfered edges keep the risk of stumbling to a minimum
- Available in yellow to mark the work area etc.

Art.	Name	Color	Size (m)	Height (mm)	Weight (kg)
38.9726230	Ergo Solid	Sort	0,91 x 0,91	19	8,2
38.9730030*	Skrå kant - male	Sort	0,08 x 0,91		1
38.9750030	Koppling	Sort	0,03 x 0,23		0,1
38.9730030S*	Skrå kant - female				

* Ved kant rundt om hele måtten. Bruges 2 han + 2 hun skråkanter. Grundmåtten har udvendige tappe på 2 sider.

* At the edge around the entire mat. Use 2 male + 2 female edges. The basic mat has exterior pins on 2 sides.

Ergo Bubble

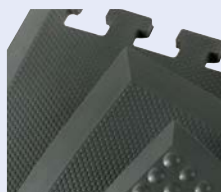


Boblemåtte

Ergo Bubble er en traditionel boblemåtte fremstillet af skum-polyuretan. Materialet har unikke elastiske egenskaber som sammen med bulerne i overfladen får benmusklerne til at arbejde og giver en god aflastning - samtidig med at den har meget høj slidstyrke. Måtten findes i flere standardstørrelser men kan derudover fremstilles efter dine specialmål. Samtlige Ergo Bubble har affasede kanter for at minimere snublerisikoen.

Er velegnet i alle tørre miljøer.

Art.	Name	Color	Size (m)	Weight (kg)
38.8100110	Ergo Bubble	Grafit	0,65 x 0,95	3,2
38.8100310	Ergo Bubble *	Grafit	0,65 x 1,8	4
38.8103110	Ergo Bubble *	Grafit	0,95 x 1,2	4



Kan skaffes i oliebestandig NBR /
Obtained in oil resistant NBR
0,65 x 1,4 m
0,95 x 1,5 m
0,95 x 1,8 m

Bubble mat

Ergo Bubble is a traditional bubble mat made from foam-polyurethane. The material has unique elastic properties which, together with the bubbles in the surface, make the leg muscles work and provide excellent strain relief - at the same time the mat is extremely hard-wearing.

Available in several standard sizes - or custom-designed according to your special dimensions. All Ergo Bubble have chamfered edges to reduce the risk of stumbling to a minimum.

Suitable for use in all dry environments.

Gummimåtter / Rubber mats

Ergo Durk



En klassiker til mange arbejdspladser

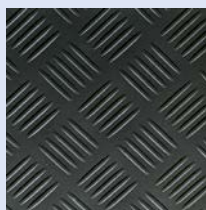
Ergo Durk er en klassisk arbejdspladsmåtte med dørkmønstreret overside i nitrilgummi. Bagsiden er af EPDM-cellegummi med lukkede celler.

Kombinationen af disse miljøvenlige materialer giver en både slidstærk og behagelig måtte at stå på. Desuden yders der 5 års komplet slitagaranti.

Fås i standardmåtte fra rulle eller i specialmål efter tegning, alt med af-fasede kanter.

Ergo Durk ESD beskytter også følsomt elektronik imod statisk elektricitet. Måtten er godkendt i henhold til SP 2472.

Art.	Name	Color	Size (m)	Weight (kg)	Thickness (mm)
38.5017530 **	Ergo Durk	Sort	1,4 x 1	6,6	10
38.5017530A **	Ergo Durk	Sort	1,4 x 10	66	10



* Måtten har en gummioverside og en underside af EPDM.

* The mat has a rubber top side and a bottom side of EPDM.

A Classic for Many Workplaces

Ergo Durk is a classic workplace mat with a surface patterned like the deck of a ship and the upper side made of nitrile rubber. The back side is made of EPDM cellular rubber with closed cells.

The combination of these environmentally compatible materials provides a both hard-wearing and pleasant mat. Furthermore, there is a five-year guarantee against wear.

Available as a standard mat in a roll or in sheets specially made according to drawing - all with chamfered edges.

Ergo Durk ESD also protects sensitive electronics against static electricity. The mat has been approved acc. to SP 2472.

Ergo Dome



Ergo Dome, god måtte til gunstig pris

Ergo Dome er en slidstærk måtte i naturgummi (SBR).

Den buleformede overflade stimulerer blodcirkulationen hvilket mindsker belastningsskader i ben og ryg.

Ergo dome, good mat at low prices.

Ergo dome is a durable mat of natural rubber (SBR).

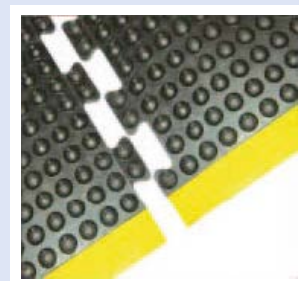
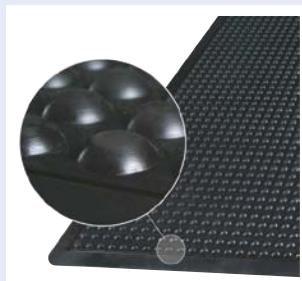
The bulge-shaped surface stimulates blood circulation, which reduces stress injuries in the legs and back.

Art.	Name	Color	Size (m)	Weight (kg)
38.410200	Ergo Dome	Sort	0,6 x 0,9	3,2
38.410201	Ergo Dome	Sort	0,9 x 1,2	4
38.410203	Ergo Dome Puzzle midterstykke	Sort	0,9 x 1,2	4
38.410202	Ergo Dome Puzzle, endestykke	Sort	0,9 x 1,2	4

Puzzle er med sorte kanter, og det er muligt at samle 2 endestykker til f.eks. 2,4 m

Puzzle is with black borders, and it is possible to assemble two end pieces, for example 2.4 m.

Kan skaffes i oliebestandig NBR /
Obtained in oil resistant NBR
0,6 x 0,9 m
0,9 x 1,2 m

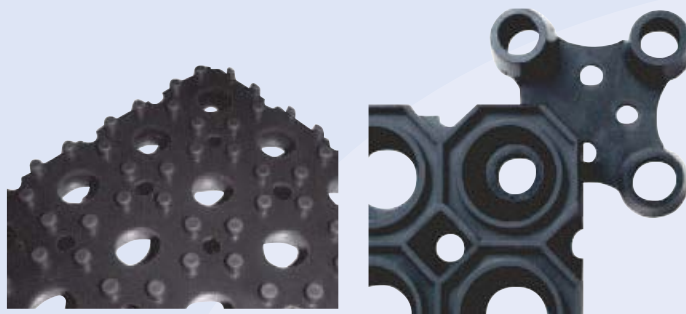


Gummimåtter / Rubber mats

Ergo Ring



Kan skaffes i / Obtained in
0,4 x 0,6 og 0,6 x 0,8



Skridsikker i vådt og tørt

Ergo Ring bortdræner effektivt væde og spildmateriale, hvilket sikrer en skridsikker overflade at stå på. Den åbne ringkonstruktion giver desuden en god aflastning.

- Kan samles, hvilket giver mulighed for store sammenhængende, skridsikre overflader
- Dræner effektivt, ideel ved bearbejdningsmaskiner eller i våde lokaler
- God som grov dørmåtte i entreer
- Naturgummi med den rette hårdhed giver skridsikkerhed både i tørt og vådt miljø

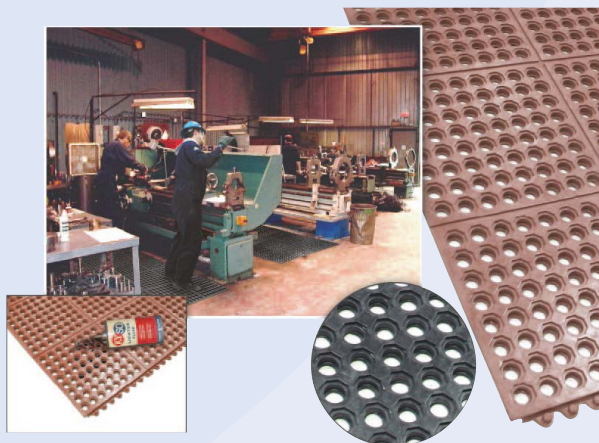
Non-skid in wet and dry environment

Ergo Ring effectively drains off wet and waste material, which ensures a non-skid surface. The open annular construction provides an excellent strain relief.

- May be joined together to large coherent non-skid surfaces
- Drains effectively, ideal for machine tools or in wet premises
- Applicable as a coarse entrance door mat
- Natural rubber with the correct hardness provides skid resistance in both wet and dry environments.

Art.	Name	Color	Size (m)	Height (mm)	Weight (kg)
38.9117630	Ergo Ring	Sort	0,8 x 1,2	23	11
38.9117631	Ergo Ring	Sort	1 x 1,5	23	21
38.9110030	Samlestykke	Sort			

Ergo Ease



Art.	Name	Color	Size (m)	Height (mm)	Weight (kg)
38.9716230	Ergo Ease	Sort	0,91 x 0,91	14	8,2 kg

Kan skaffes i terracottarød / Obtained in terracotta red

Ergo Ease - kongen af aflastning

Ergo Ease er en nitrilgummimåtte med ekstremt gode aflastningsegenskaber og slidstyrke. Pladerne kan sammensættes fleksibelt uden anvendelse af samlingsstykker.

Velegnede til arbejdspladser i industrien med enten tørt eller fedtet miljø.

- Tåler kontakt med varmt værktøj
- Oliebestandig
- Ryg og ben aflastes effektivt, hvilket resulterer i høj produktivitet og lavere sygefravær
- Affasede kanter minimerer risikoen for at snuble - findes ligeledes i gul for markering af arbejdsområde m.v.

Ergo Ease - first-quality strain relief

Ergo Ease is a wear-resistant nitril rubber mat with excellent strain relief. The sheets may be joined together without the use of fittings. Suitable for workplaces in the industrial field in a dry or greasy environment.

Tolerates contact with hot tools

Oil resistant

Back and legs are effectively relieved resulting in a high productivity and less absence due to sickness.

Chamfered edges keep the risk of stumbling to a minimum. Available in yellow to mark the work area etc.

Gummimåtter / Rubber mats

Ergo Classic



Komfort og økonomi i samme måtte

Ergo Classic er den ideelle måtte til den stående arbejdsplads, hvor man også bevæger sig inden for arbejdsfeltet. God skridsikkerhed på den ribbede overflade. Ergo Classic har 3 års fuld slitagegaranti. Nem at tilpasse selv med en almindelig tæppekniv.

Ideal til monteringslinjer m.v.

God skridsikkerhed

Isolerer effektivt imod kulde og vibrationer

God økonomi

Fås ligeledes med farvede kanter for markering af arbejdsområde m.v.

Tykkelse: 10 mm

Art.	Name	Color	Size (m)	Weight (kg)
38.5501110	Ergo Classic	Grå	0,61 x 18,3	36 kg
38.5501210	Ergo Classic	Grå	0,91 x 18,3	50 kg
38.5501310	Ergo Classic	Grå	1,22 x 18,3	65 kg



Comfort and economy in the same mat

Ergo Classic is the ideal mat for standing work where you move within the working area. The ribbed surface provides skid resistance. There is a full three-year guarantee against wear. Easy to adapt with an ordinary carpet knife.

Ideal for

Non-skid quality

Effective insulation against cold and vibrations

Economical

Is also available with coloured borders for marking the working area etc.

10 mm thick.

Fingertip

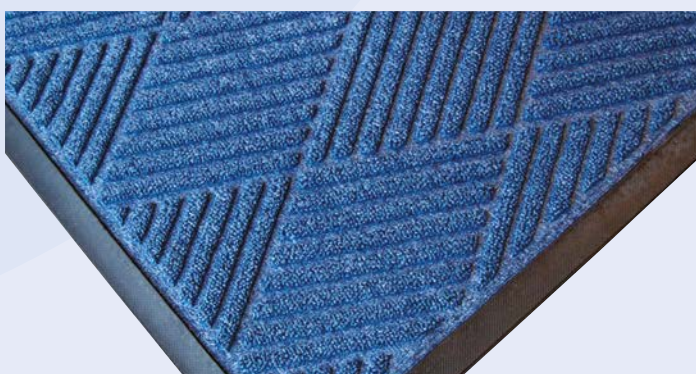


Art.	Name	Color	Size (m)
38.345522	Fingertip	Sort	0,8 x 1

Fingertip gummimåtte med skrå kant.

Fingertip rubber mat with beveled edge.

Smudsmåtter diamond blue / mat diamond blue



Art.	Color	Size (m)
38.623750	Blue	0,9 x 1,5
38.623752	Blue	0,6 x 0,9
38.623764	Blue	1,2 x 1,8

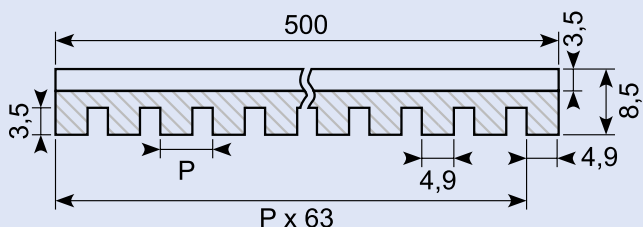
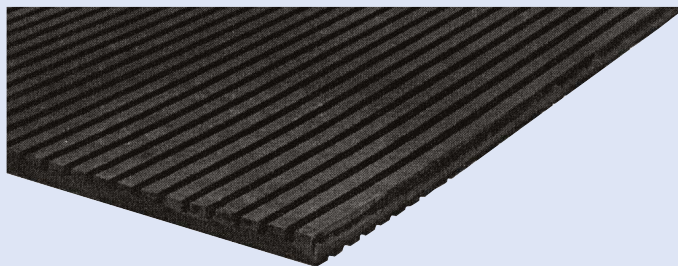
Dørmåtte blå, polypropylen med gummiskråkant. Kan spules med højtryksrensere.

Blue mat, polypropylene with rubber beveled edge. Can be flushed with high-pressure cleaner.

Kan skaffes i grå / Obtained in grey

Gummimåtter / Rubber mats

Vibrationsmatte / Vibration mat

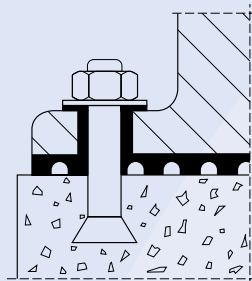


NR/SB

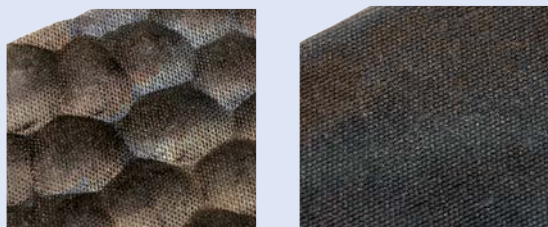
Art.	Thickness (mm)	Width (mm)	Length (mm)	Insertion
37.400	8,5	500	500	0

Sort, kommerciel gummiplade.
Anvendes mellem maskiner og gulv for at minimere og optage vibrationer.
Riller på begge sider.
Bæreevne 5 kg/cm²

Black commercial rubber plate.
To be used between machines and floor in order to minimize and absorb vibrations. Grooves on both sides.
Carrying capacity of 5 kg/cm².

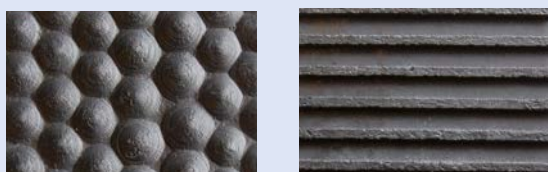


Komåtte / Cow mat (NR / SBR)



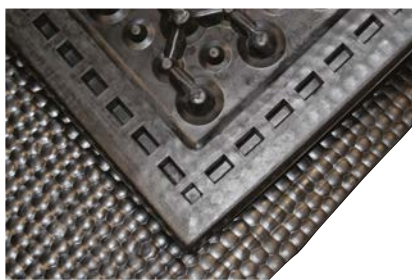
Art.	Width (mm)	Length (mm)	Thickness (mm)	Shore	Density
38.440-6	2.000	30.000	6	65	1,45
38.440-8	2.000	30.000	8	65	1,45
38.440-8X	1.250	10.000	8	65	1,45
38.440-6A	1.750	21.000	6	65	1,45
38.440-8A	1.750	21.000	8	65	1,45

Komåtte / Cow mat (NR / SBR)



Art.	Thickness (mm)	Width (mm)	Length (mm)
37.260	10	2.000	20.000
37.261 *	10	2.000	4.870
37.262 *	10	2.000	6.522

37.280



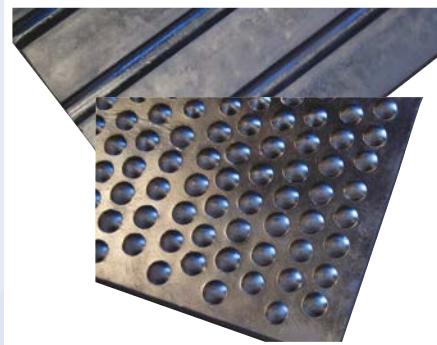
Grisemåtte 1.810 x 1.210 x 30 mm.
Cirkler / hul bund uden indlæg.
Pigs mat 1.810 x 1.210 x 30 mm.
Circles / hollow bottom without insert.

37.263



Komåtte 2.200 x 10.000 x 16 mm. Overflade cirkler u/indlæg. Bund ribbet i længderetning.
Cow mat 2.200 x 10.000 x 16 mm. Surface circles without insert. The bottom ribbed in longitudinal direction.

37.270



Komåtte 1.830 x 1.220 x 17 mm.
Knopper / ribbet bund uden indlæg.
Cow mat 1.830 x 1.220 x 17 mm. Studs / ribbed bottom without insert.

Trailermåtte / Trailer mat



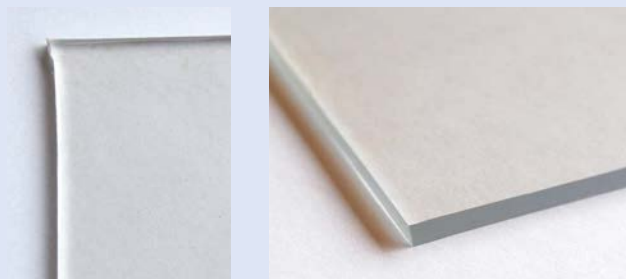
Data	
Gummi / Rubber	NR / SBR
Hårdhed / Hardness - Shore A	65
Densitet / Density - g/cm ³	1,4
Arbejdstemperatur / Working temperature - °C	-25 +70
Trækstyrke / Tensile strength - N/mm ²	12

Art.	Thickness (mm)	Width (mm)	Length (mm)
38.422-1350	6	1.350	21.000
38.422-1650	6	1.650	21.000
38.422-1750 *	6	1.750	21.000
38.423-1650	8	1.650	21.000
38.423-1750 *	8	1.750	21.000
38.424-1800 *	8	1.800	21.000

* Skaffevare / Special order item
SINDBY PROFILES 5 - 00129-5-k201902

Gummimåtter / Rubber mats

Klar PVC / Transparent PVC



Art.	Thickness (mm)	Width (mm)	Length (mm)
38.449-750 *	3	750	20.000
38.449-1200	3	1.200	20.000
38.450-760 *	4	760	13.000
38.451-1600	5	1.600	20.000
38.452-1200 *	7	1.200	10.000

Polyurethanplader / Polyurethane plates

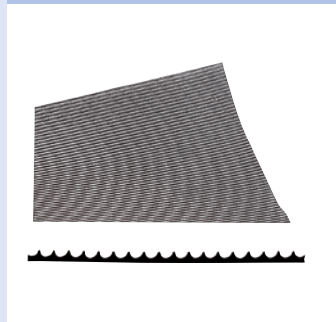


Art.	Thickness (mm)	Width (mm)	Length (mm)	Stock
38.430-5/70	5	2.000	1.000	X
38.430-5/80	5	2.000	1.000	X
38.430-8/70	8	2.000	1.000	X
38.430-8/90	8	2.000	1.000	X
38.430-10/70	10	2.000	1.000	X
38.430-10/90	10	2.000	1.000	X

Data

Hårdhed / Hardness - Shore A	70	80	90
Forlængelse / Elongation	500-600	450-500	400-450
Arbejdstemperatur / Working temperature - °C	-35 +100	-35 +100	-35 +100
Rivstyrke / Tear strength - KN/m	50	50	50
Trækstyrke / Tensile strength - N/mm ²	25	30	35

37.221/1G



Material: Grey
Size: 1.000 x 10.000 x 3 mm

38.14124 *



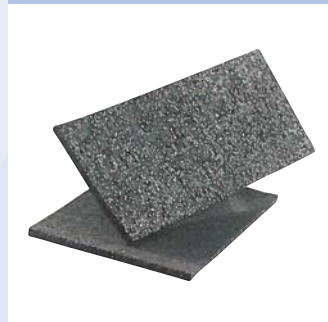
Anti slip plade. Gummigranulat.
Anti slip plate. Rubber granules.
8 x 100 x 200 mm
Min. order: 300

38.14572 *



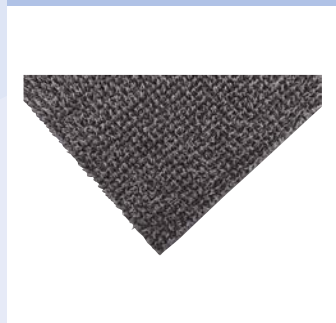
Anti slip plade. Gummigranulat.
Anti slip plate. Rubber granules.
8 x 500 x 5000 mm
Min. order: 5 m

38.14574 *



Anti slip plade. Gummigranulat.
Anti slip plate. Rubber granules.
8 x 1.250 x 10.000 mm
Min. order: 5 m

38.9971010 *



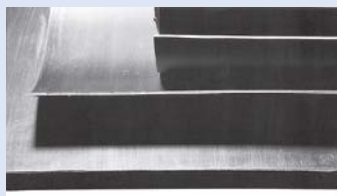
Græsmatte. Grå
Grass mat. Grey
900 mm x 16 m

38.9971020 *



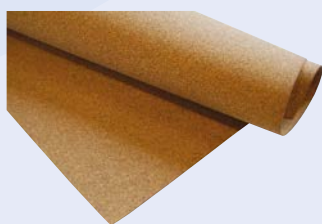
Græsmatte. Grøn
Grass mat. Green
900 mm x 16 m

Gummimåtter / Rubber mats



Semperit
Material: NBR / NR-SBR / EPDM

Art.	Width (mm)	Thickness (mm)	Quality	Color	Insert
38.121N *	1.400	1	NBR	Black	0
38.121NX *	1.400	1	NBR	Black	0
38.1215N	1.400	1,5	NBR	Black	0
38.122N *	1.400	2	NBR	Black	0
38.123N *	1.400	3	NBR	Black	0
38.124N *	1.400	4	NBR	Black	0
38.125N *	1.400	5	NBR	Black	0
38.125S *	1.400	5	NBR	Black	0
38.126N *	1.400	6	NBR	Black	0
38.128N *	1.400	8	NBR	Black	0
38.128NH	1.400	8	NBR	White	0
38.128S *	1.400	8	NBR	Black	0
38.130N *	1.400	10	NBR	Black	0
38.132N *	1.400	12	NBR	Black	0
38.135N *	1.400	15	NBR	Black	0
38.139N *	1.400	20	NBR	Black	0
38.1215	1.400	1,5	NR / SBR	Black	1
38.1215NH *	1.400	1,5	NR / SBR	White	1
38.122 *	1.400	2	NR / SBR	Black	1
38.122A *	1.400	2	NR / SBR	Black	2
38.123 *	1.400	3	NR / SBR	Black	1
38.123X *	1.400	3	NR / SBR	Black	Smooth
38.124	1.400	4	NR / SBR	Black	1
38.125 *	1.400	5	NR / SBR	Black	1
38.126 *	1.400	6	NR / SBR	Black	2
38.128 *	1.400	8	NR / SBR	Black	2
38.128SX *	1.400	8	NBR / SBR	Black	Smooth
38.130 *	1.400	10	NR / SBR	Black	2
38.132 *	1.400	12	NR / SBR	Black	2
38.135 *	1.400	15	NR / SBR	Black	0
38.136 *	1.400	20	NR / SBR	Black	0
38.137 *	1.400	25	NR / SBR	Black	0
38.138 *	1.400	30	NR / SBR	Black	0
38.139 *	1.400	30	NR / SBR	Black	0
38.140 *	1.400	50	NR / SNR	Black	0
38.122EPDM *	1.400	2	EPDM	Black	0
38.123EPDM	1.400	3	EPDM	Black	0



Rubber cork
Material: NR / NBR / NR-SBR

Art.	Size (mm)	Thickness (mm)	Quality	Min. order (m ²)
38.201.5	1.000 x 1.000	1,5	1.235	100
38.202 *	1.000 x 1.000	2	1.235	75
38.203 *	1.000 x 1.000	3	1.235	50
38.205 *	1.000 x 1.000	5	1.235	30

Gummistropper / Rubber straps

50.241NR



T-strap
Material: NR
Length: 150 mm

50.245NR



T-ladder
Material: NR
Length: 160 mm

50.245H



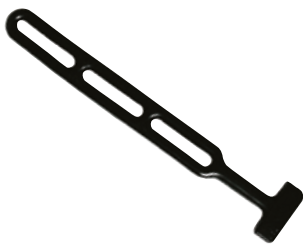
T-ladder
Material: EPDM white
Length: 160 mm

50.242NR



T-strap
Material: NR
Length: 250 mm

50.246NR



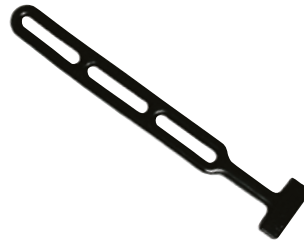
T-ladder
Material: NR
Length: 285 mm

50.265-10



Combi strap
Material: NR
Length: 275 x 25 mm
(10 pcs. package)

50.246-10



T-ladder
Material: NR
Length: 280 x 30 mm
(10 pcs. package)

50.265



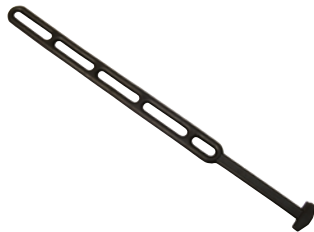
Combi strap
Material: EPDM
Length: 280 mm

50.266



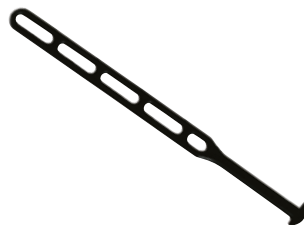
Combi strap
Material: EPDM
Length: 360 mm

50.247-10



Combi strap
Material: NR
Length: 365 x 25 mm
(10 pcs. package)

50.247NR



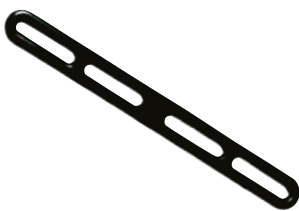
Combi strap
Material: NR
Length: 370 mm

50.275



POP ladder
Material: EPDM
Length: 200 mm

50.244NR



Strap
Material: NR
Length: 260 mm

50.271



Strap
Material: EPDM
Length: 270 mm

50.276



POP ladder
Material: EPDM
Length: 275 mm

50.264-10



Strap
Material: NR
Length: 285 x 30 mm
(10 pcs. package)

Gummistropper / Rubber straps

50.264



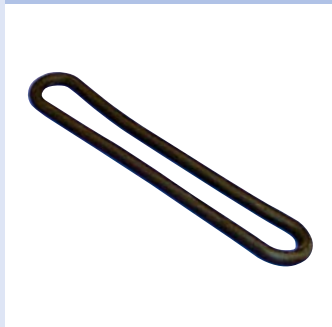
Strap
Material: NR
Length: 290 mm

50.261



Strap
Material: EPDM
Length: 200 mm, Ø 8 mm

50.263



Strap
Material: EPDM
Length: 200 mm, Ø 7 mm

50.263K



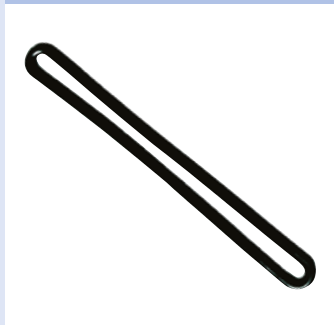
Strap with hook
Material: EPDM
Length: 200 mm
Loose hook: 50.263KL

50.263K-10



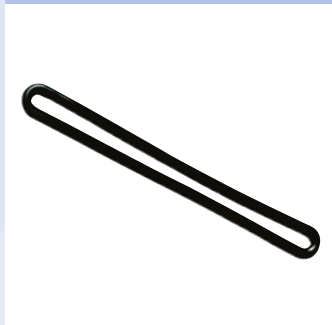
Strap
Material: NR
Length: 204 mm

50.243-10



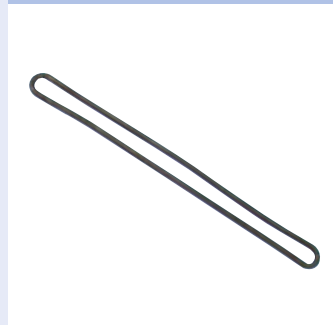
Strap
Material: NR
Length: 253 mm

50.243NR



Strap
Material: NR
Length: 260 mm

50.267NR



Strap
Material: NR
Length: 400 mm

50.267



Strap
Material: EPDM
Length: 400 mm

50.267-10



Strap
Material: NR
Length: 400 mm

50.269



Ring
Material: EPDM
Length: Ø 106 mm / 86 mm

50.13621



Strap with hook and eye
Length: 20 x 490 mm

50.280



Strap with hook and eye
Length: Strap 480 mm
Total 610 mm

50.250



Ladder strap
Material: NR, shore 50
Length: 10 m



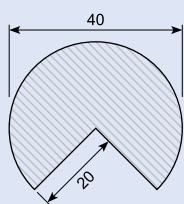
Luggage strap

Art.	Measure (mm)
79.051	600
79.051A	700
79.052	900
79.053	1.250
79.054	1.750
79.055	3.000

Bumpers / Bumpers

39.BUMPER

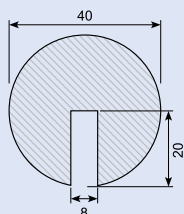
Type A. Sort og gul.
1.000 mm lang.
Selvklæbende.



Type A. Black and yellow.
1.000 mm long.
Adhesive.

39.BUMPERB

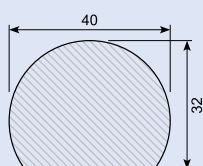
Type B. Sort og gul.
1.000 mm lang.
Selvklæbende.



Type B. Black and yellow.
1.000 mm long.
Adhesive.

39.BUMPERC

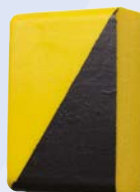
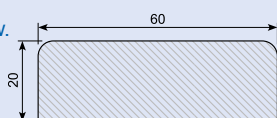
Type C. Sort og gul.
1.000 mm lang.
Selvklæbende.



Type C. Black and yellow.
1.000 mm long.
Adhesive.

39.BUMPERD

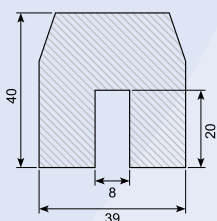
Type D. Sort og gul.
1.000 mm lang.
Selvklæbende.



Type D. Black and yellow.
1.000 mm long.
Adhesive.

39.BUMPERE

Type E. Sort og gul.
1.000 mm lang.
Selvklæbende.



Type E. Black and yellow.
1.000 mm long.
Adhesive.

52.PPCC720



Orange trafikkegle, 690 mm.
Sammenklappelig.
Ekskl. topblink 52.PPTLRED

Orange traffic cone, 690 mm.
Foldable.
Excl. top blink 52.PPTLRED

52.PPTLRED



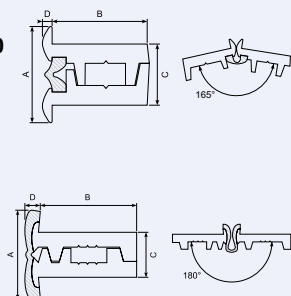
Rød advarselsblink for trafikkegle
52.PPCC720

Red warning light for traffic cone
52.PPCC720

Centraflex

Centraflex. Vandtæt stanghængsel med polyester-kerne og PVC-flanger. Tillader 180 gr. åbning. Stor styrke og høj elasticitet. Sort finish. Længde: 2000 mm.

Weather-proof continuous hinge with polyester-core and synthetic flanges. 165° opening, 28 mm face. High strength and excellent flexibility. Black finish. Length: 2000 mm.



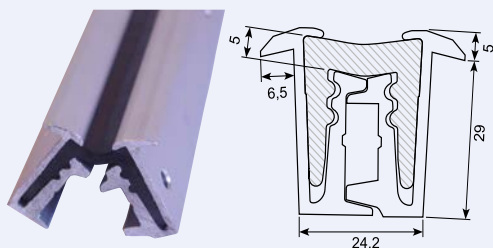
Art.	A mm	B mm	C mm	D mm	L mm
20.6020	28	23	16	4	2.000
20.6025	28	23	16	4	2.500
20.6030	28	23	16	4	3.000

Art.	A mm	B mm	C mm	D mm	L mm
20.6120	30	34	16	4,5	2.000
20.6125	30	34	16	4,5	2.500
20.6130	30	34	16	4,5	3.000

Poliall

Poliall stanghængsel, vandtæt. Med PU kerne og aluminiumsflanger. Tillader 180 gr. åbning. Forboret med 5 mm huller i flange.

Poliall rod hinge, waterproof. With PU core and aluminum flanges. Allows 180 degree opening. Pre drilled with 5 mm holes in flange.

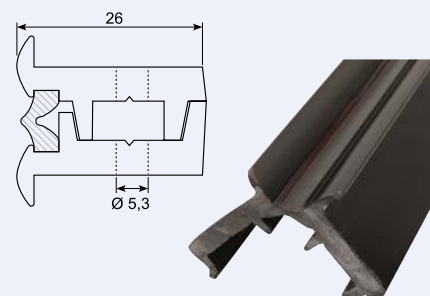


Art.	B mm	L mm
54.261700JX-5	29	2.200
54.261700J-5	29	2.400
54.261720J-5	29	2.700
54.261740J-5	29	3.000
54.261760J-5	29	3.200
54.261780J-5	29	4.000

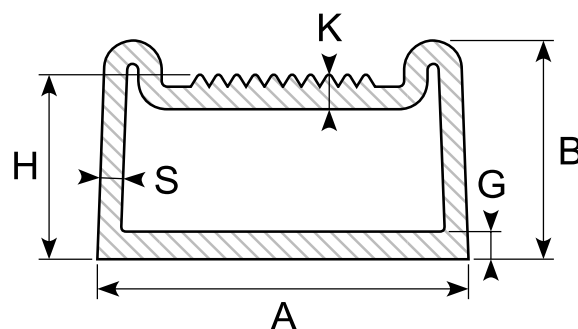
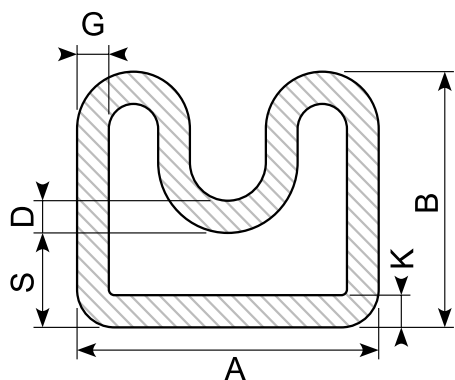
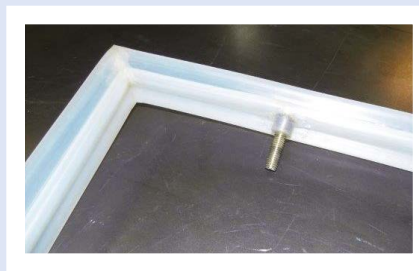
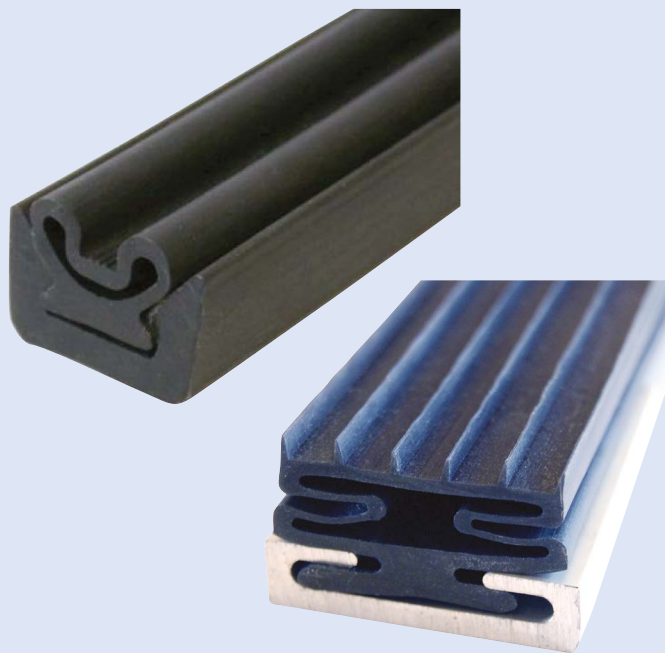
20.13002

Co-extruderet PVC-hængsel. 1.678 mm med Ø 5,3 mm forborede huller. Kun til lette opgaver.

Co-extruded PVC hinge. 1678 mm, Ø 5.3 mm holes pre-drilled holes. Only for light tasks.



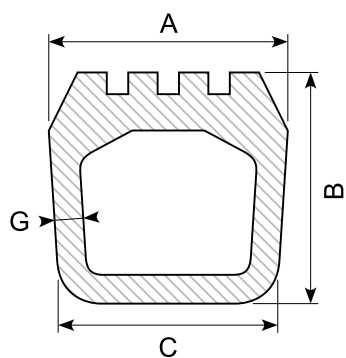
Oppustelige tætninger / Inflatable seals



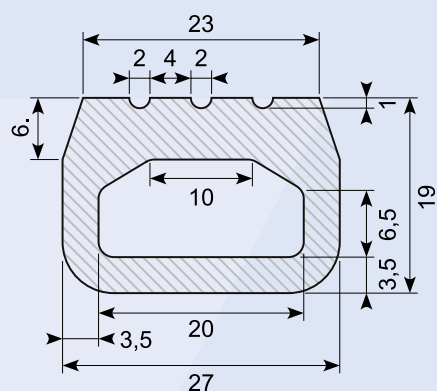
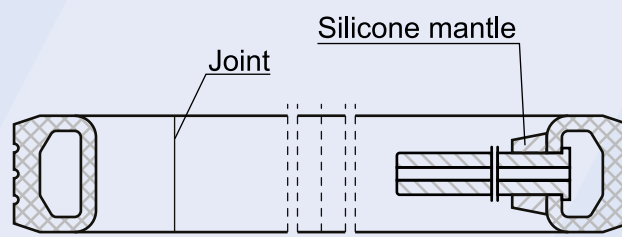
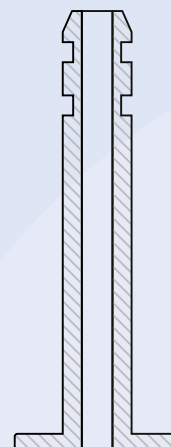
Art.	A	B	D	G	K	S	Hardness SH A
30.0192-2819 *	16	14	1,8	1,8	1,8	4,9	65
30.0192-3161 *	18	15,5	2	2	2	6	60
30.0192-3375 *	18	15,5	2	2	2	2	60
30.0192-3877 *	24	20	2,5	2,5	2,5	5	60
30.0192-4588 *	18,5	17	2	2	2	9	60
30.0192-4633 *	26	20	3	3	3	8,2	60
30.0192-4634 *	35	32	5	5	5	17,6	60
30.0192-4733 *	18,7	18/ 16,6	2	2	2	7,9	60
30.0192-4756 *	16	17	1,5	1,5	1,5	10	60
30.0192-4926 *	27	20	4	4	4	10	60
30.0192-4947 *	22	16	3	3	3	6	60
30.0192-10322 *	30	15	3	3	3	3,7	60
30.0192-10680 *	25,3	20	2,7	2,7	2,7	7,3	60
30.0192-10927 *	26,5	20	3	3	3	9	60
30.0192-10963 *	17	14	2	2	2	5	60
30.0192-11007 *	26	20	3	3	3	8,5	60
30.0192-11016 *	46	34	3	3	5	9	60
30.0192-11484 *	35	34	3	3	3	17	60
30.0192-11800 *	10	10	1,5	2	2	5	60
30.0192-12418 *	45	34	3	3	5	9	60
30.0192-12642 *	21	15	2	2	2	8	60

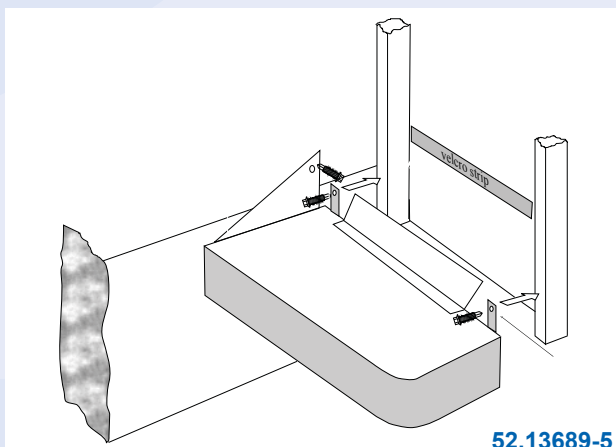
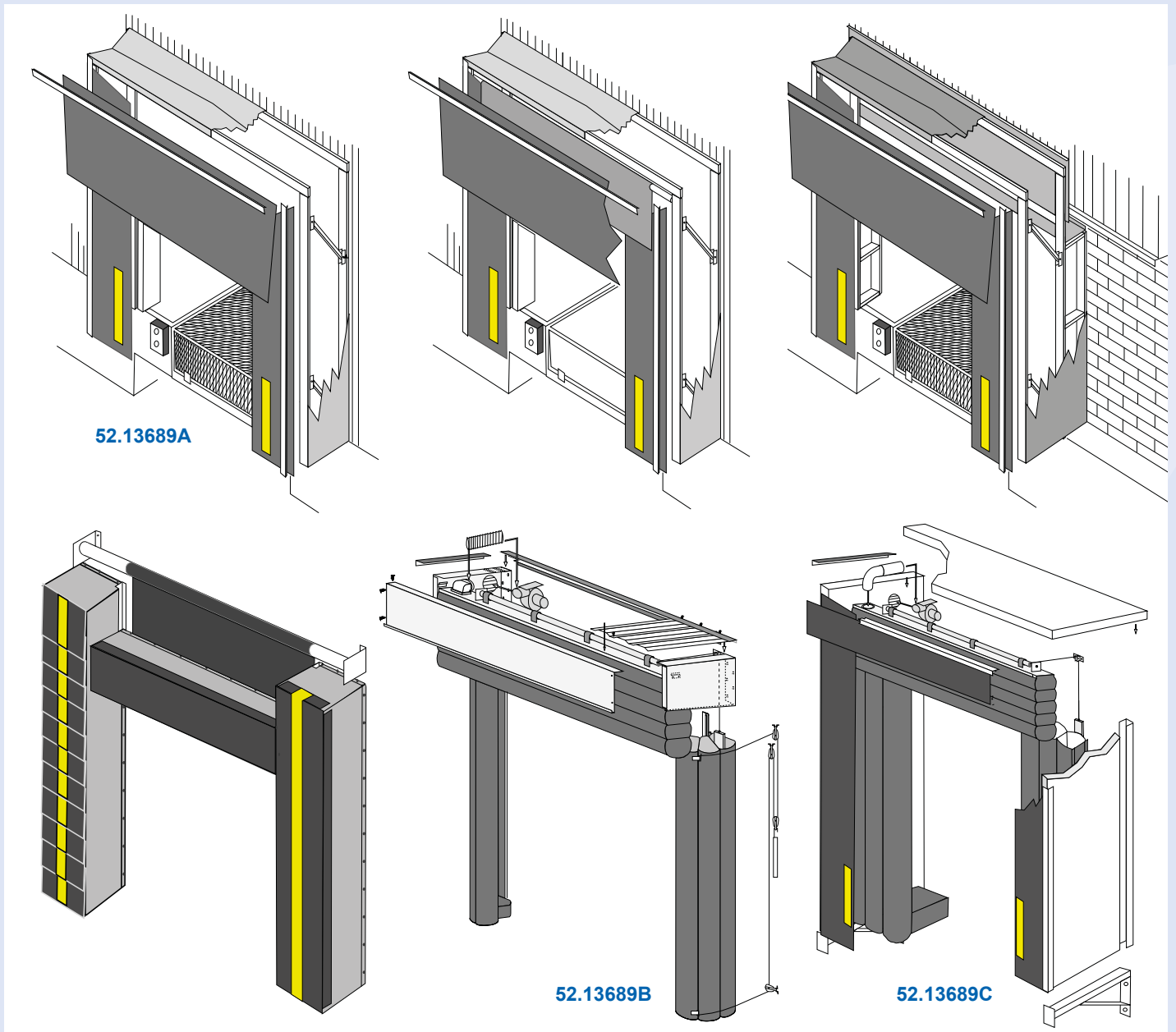
Art.	A	B	G	H	K	S	Hardness SH A
30.0192-2076 *	16	10	2	10	2,5	1	50
30.0192-2969 *	17	9,5	1,2	8	1,5	1	76
30.0192-3214 *	16	9,5	1,2	8	1,5	1	76
30.0192-3414 *	8,6	8,3	1,2	7,5	1,4	1,2	60
30.0192-3415 *	12	8,5	1,2	7,7	1,4	1,2	60
30.0192-3739 *	17	8,5	1,5	7	2	1	76
30.0192-4792 *	16	7,5	1,2	7	1,5	1	60
30.0192-4906 *	12	8	1,2	6,3	1,5	1,2	60
30.0192-10966 *	30	30,3	4	33,5	9,9	4	60
30.0192-11527 *	17	8,5	1,2	7	1,5	1	60

Ventil eksempel / Valve example



Art.	A	B	C	G	Hardness SH A
30.0192-0374 *	16	20	15	2,5	50
30.0192-0460 *	17	18	17	3,5	50
30.0192-0431 *	34	35	35	5	60
30.0192-0459 *	17	18	15	2,5	50
30.0192-1345 *	16	18	16	2,5	50
30.0192-1494 *	14	11	14	2/2,25	60
30.0192-1744 *	35	33	35	5,5	55
30.0192-1768 *	27	19	27	3,5	50
30.0192-1881 *	36	26,9	36	5	55
30.0192-1949 *	17,5	20	17,5	3	45
30.0192-2029 *	14	14	15,5	2,5	50
30.0192-2067 *	16,5	16	15	2	55
30.0192-2364 *	35	32	35	5	60
30.0192-2408 *	16,5	13	16,5	2,5	55
30.0192-2845 *	14	11	13	2	60
30.0192-3365 *	14	10	14	2	60
30.0192-3497 *	27,5	25	27,5	3	60
30.0192-3551 *	33,5	32	35	5	60
30.0192-3588 *	16	14	16	2	60
30.0192-3616 *	15,5	18	15,5	2	60
30.0192-3693 *	53	41,5	53	5	60
30.0192-3845 *	35	32	35	4	60
30.0192-3900 *	35	32	35	5	60
30.0192-4626 *	34	25	34	5	60
30.0192-4690 *	35	32	35	4,5	60
30.0192-4973 *	15,2	13,6	16,2	2	55
30.0192-10142 *	16	12	16	2,5	60
30.0192-10318 *	35	31	35	4,5	65
30.0192-10358 *	21	24	21	3	60
30.0192-10389 *	16	12	16	2	60
30.0192-10519 *	16	12	16	2	60
30.0192-10947 *	35	32	35	3,3	55
30.0192-11093 *	13,6	10	13,6	2	55
30.0192-11137 *	14	14	14	3	60
30.0192-11278 *	17	9	17	2	55
30.0192-11342 *	32,5	32	35	5	60
30.0192-11385 *	33,5	30	35	5	60
30.0192-11550 *	34	35	35	5	70
30.0192-11937 *	22	20	22	3	60
30.0192-11991 *	33,7	32	33,7	5	60
30.0192-12300 *	35	31,5	35	5	60
30.0192-12398 *	35	35	35	4,3	60
30.0192-12442 *	14	10	14	1,7	50
30.0192-12465 *	35	33	35	4	60





Portsluser og tilbehør / Dock shelters

39.1501 *



Front plate
440 x 250 x 62 mm
Weight: 16 kg
For buffer 39.642X

39.1502 *



Front plate
415 x 215 x 62 mm
Weight: 14 kg
For buffer 39.643X

39.1503 *



Back plate for welding
450 x 250 x 15 mm
Weight: 15 kg

39.1504 *



Back plate galvanized
450 x 250 x 15 mm
Weight: 15 kg

39.1505 *



Packer
450 x 250 x 10 mm
Weight: 1,3 kg
Rubber spacer

39.1506 *



Packer
450 x 250 x 15 mm
Weight: 2,3 kg
Rubber spacer
Holes as an option

39.1507 *



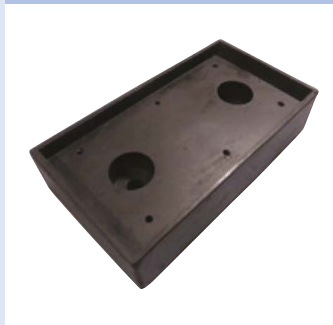
Packer
450 x 250 x 20 mm
Weight: 2,8 kg
Rubber spacer
Holes as an option

39.1508 *



Packer
450 x 250 x 50 mm
Weight: 5,5 kg
Rubber spacer

39.1509 *



Dock bumper accessory
450 x 250 x 100 mm
Weight: 10 kg
Buffer for PE plate

39.1510 *



Front plate. Hardwearing PE
410 x 210 x 35 mm
Weight: 2,5 kg

39.1511 *



Dock bumper accessory
250 x 150 x 150 mm
Weight: 8,1 kg
For mount of buffer 150 mm over
ramp level

39.1512 *



Dock bumper accessory
250 x 250 x 150 mm
Weight: 12 kg
For mount of buffer 150 mm over
ramp level

39.1513 *



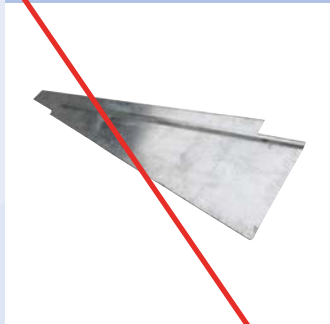
Front plate
440 x 440 x 62 mm
Weight: 13,5 kg

39.1514 *



Packer
450 x 450 x 15 mm
Weight: 2,3 kg
Rubber spacer for 39.651A

~~39.1515 **~~



~~Dock bumper accessory
1.470 x 540 (max.) x 100 mm
(min.)
Weight: 12 kg
Toe protection~~

Portsluser og tilbehør / Dock shelters

39.1616 *



Packer
750 x 250 x 15 mm
Weight: 3,6 kg
Rubber spacer

39.1617 *



Packer
750 x 250 x 20 mm
Weight: 10,5 kg
Rubber spacer

39.1618 *



Packer
750 x 250 x 50 mm
Weight: 10,5 kg
Rubber spacer

39.1819 *



Front plate
732 x 250 x 62 mm
Weight: 26 kg
For buffer 39.649

39.1620 *



Back plate for welding
750 x 250 x 15 mm
Weight: 24 kg

39.1621 *



Back plate. Galvanized
750 x 250 x 15 mm
Weight: 24 kg

39.1622



Back plate for 450 mm buffer
720 x 250 x 66 mm
Weight: 32 kg
Spring loaded. Follows the truck
when loading.

39.1623 *



Back plate for 750 mm buffer
965 x 250 x 66 mm
Weight: 47 kg
Spring loaded. Follows the truck
when loading.

39.1624 *



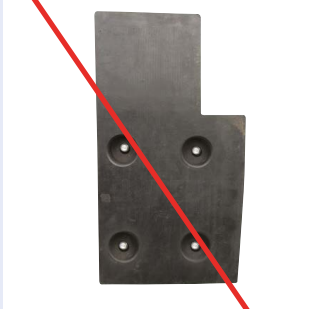
Dock bumper accessory
750 x 250 x 100 mm
Weight: 17 kg
Buffer for PE plate

39.1625 *



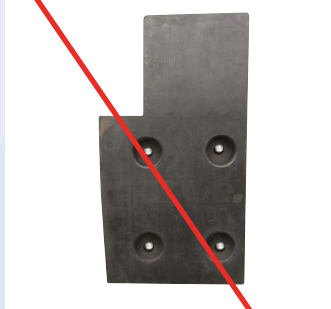
Front plate. Hardwearing PE.
710 x 210 x 35 mm
Weight: 4,5 kg

~~39.654 * **~~



~~Dock bumper L
750 x 400 x 100 mm
Weight: 36 kg~~

~~39.655 * **~~



~~Dock bumper L
750 x 400 x 100 mm
Weight: 36 kg~~

~~39.1626 * **~~



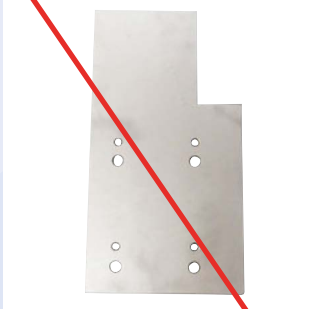
~~Front plate. Galvanized
750 x 400 x 100 mm
Weight: 36 kg~~

~~39.1627 * **~~



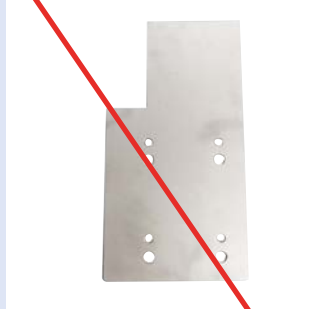
~~Front plate. Galvanized
750 x 400 x 100 mm
Weight: 36 kg~~

~~39.1628 * **~~



~~Back plate. Galvanized
750 x 400 x 100 mm
Weight: 34 kg~~

~~39.1629 * **~~



~~Back plate. Galvanized
750 x 400 x 100 mm
Weight: 34 kg~~

Portsluser og tilbehør / Dock shelters

39.1630 *



Front plate. Hardwearing rubber
448 x 248 x 50 mm
Weight: 7 kg

39.1631 *



Front plate. Hardwearing PE
450 x 250 x 50 mm
Weight: 5 kg

39.1632 *



Back plate. Galvanized
450 x 250 x 60 mm
Weight: 11 kg
Remember rubber spacer

39.1633 *



Back plate. Galvanized
470 x 270 x 120 mm
Weight: 21 kg
Remember rubber spacer

39.1634 *



Front plate. Hardwearing rubber
750 x 250 x 50 mm
Weight: 12 kg
Alternative to 39.1635

39.1635 *



Front plate. Hardwearing PE
750 x 250 x 50 mm
Weight: 8 kg

39.1636 *



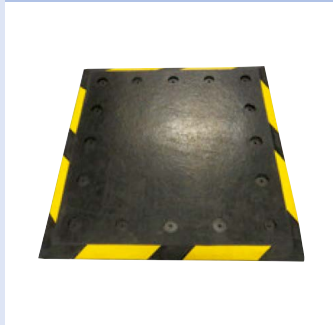
Back plate. Galvanized
770 x 270 x 80 mm
Weight: 26 kg
Remember rubber spacer

39.1637 *



Back plate. Galvanized
770 x 270 x 120 mm
Weight: 34 kg
Remember rubber spacer

39.1638 *



Trailer plate
1.000 x 1.000 x 2,5 mm
Weight: 26,5 kg
To protect the concrete in front of
loading ramp

39.1639 *



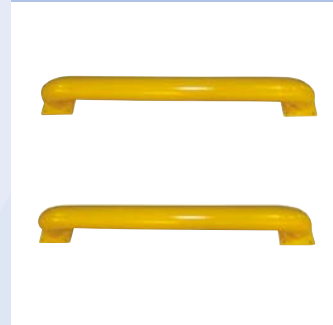
Trailer plate PE
1.000 x 1.000 x 20 mm
Weight: 18,5 kg

~~39.1640 * **~~



~~Wheel guide
Ø165 mm, 5 mm, 300 mm depth.
Mounting plate: 250 x 250 x 10
mm.
Weight: 8,5 kg~~

39.1641 *



Wheel guide
Ø165 mm, 5 mm, 2.085 x 250 x
365 mm.
Color: Yellow RAL 1028
Weight: 90 kg

39.1642 *



Wheel guide
Ø165 mm, 5 mm, 2.070 x 600 x
365 mm. Yellow RAL 1028.
Weight: 90 kg
Can be ordered in hot-dipped.

39.1643 *



Wheel guide
2.070 x 250 x 200 mm
Color: Yellow RAL 1028
Weight: 78 kg

39.1644 *



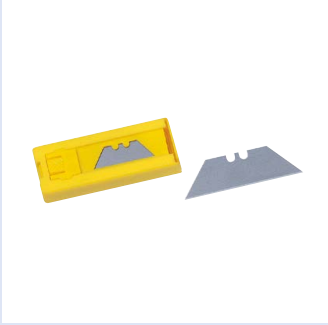
Wheel guide. Hot dipped.
Ø165 mm, 5 mm, 3.000 x 600 x
365 mm

S10.3301



Dolphin knife

S10.3303



10 pcs. blades for S10.3301

S10.3311



Utility knife

S10.3313



10 pcs. blades for S10.3311

S10.3312



Utility knife

S10.3314



10 pcs. blades for S10.3312

83.842



Profile cutter

84.930



Tool set for inserting filler sections in glazing sections. Eyelet Ø 9,5 mm.

84.931



Tool for filler sections

84.932T



Tool for glazing sections with wooden handle

84.934X



7 mm eyelet for 84.931

84.934



9,5 mm eyelet for 84.931

84.935



10,5 mm eyelet for 84.931

84.840084



Cold cut knife

84.961



Cold cut knife blade for 84.840084. 19 mm.

84.961A: 25 mm

84.961B: 35 mm

87.7051



Terokal 2444, 340 g
Excellent contact adhesive, based on CR, for rubber/rubber - and rubber/metal bonding.

~~87.727~~



~~**Terokal 914, 680 g**
Transparent contact adhesive, based on NBR. Very good for PVC.~~

~~87.082020~~



~~**Cyanoacrylate adhesive**
20 g~~

87.770/10



Loctite 770(7239), 10 g
Primer which improves the adhesion on materials which are difficult to glue e.g. thermoplastic rubber types. Is to be used together with Loctite 401 / 406 / 431 / 454 or 4850

87.1034



Sicomet 50, 3 g
Excellent for EPDM

87.1035



Sicomet 8300, 20 g
Excellent for sponge rubber

~~87.1739~~



~~**Terodicht Elastik, 310 ml**
IK sealant, based on synthetic rubber - black~~

~~87.1738~~



~~**Terodicht schwarz, 310 ml**
IK sealant, based on buthyl rubber - grey~~

87.2000



Dual component adhesive.
Total weight: 1 kg

87.52759



Terostat 2759, 310 ml.
Easy to dab off. IK sealant, based on buthyl rubber. Grey.
87.52759X: 570 ml

87.51989



Terostat 930, sort 310 ml.
87.51999F: 570 ml

87.723



Spray glue. Loctite 3923.

30.shore20-90



Shore samples with logo.
Silicone rubber.

30.shoreA



Shore A hårdhedsmåler
Shore A hardness tester

30.shoreD



Shore D hårdhedsmåler
Shore D hardness tester

Gummityper / Rubber types

Kemisk betegnelse	Natur-kautsjuk	Styrolbutadien-Kausjuk	Nitril kausjuk (Perbunan)	Chlororen kausjuk (Neopren)	Ethylen propylen kausjuk (APTK)
Chemical Nomenclature	Naturel Rubber	Styrol Butadien Rubber (Buna)	Nitril Rubber (Perbunan)	Chloroprene Rubber (Neoprene)	Ethylene Propylene Dien Rubber
Navnefortegnelse i.h.t. ASTM D 1418 Abbreviation as per ASTM D 1418	NR	SBR	NBR	CR	EPDM
Hårdhedsområde (Shore A)(±5) Hardness Range (Shore A)(±5)	40 - 90	45 - 90	45 - 90	40 - 90	40 - 90
Trækstyrke N/mm ² Tensile Strength N/mm ²	4 - 15	4 - 15	4 - 14	5 - 15	6 - 13
Tilbageståndselasticitet ved 20°C Recoil Elasticity at 20°C	Udmærket Excellent	God Good	Tilfredsstillende Satisfactory	God Good	God Good
Slidstyrke Abrasion Resistance	Meget god Very good	Meget god Very good	God Good	God Good	God Good
(1) Kemisk bestandighed (1) Chemical Resistance	God Good	God Good	Tilfredsstillende Satisfactory	God Good	Meget god Very good
(1) Oliebestandighed (1) Oil Resistance	Ringe Low	Ringe Low	Udmærket Excellent	God Good	Ringe Low
(1) Bestandighed overfor benzin (1) Petrol Resistance	Ingen None	Ringe Low	God Good	Ringe Low	Ringe Low
(1) Bestandighed overfor opløsningsmidler (1) Solvent Resistance	Ringe Low	Ringe Low	God Good	God Good	(3) Tilfredsstillende (3) Satisfactory
(4) Temperaturbestandighed °C (4) Temperature Stability in °C	-40 til +80° -40 to +80°	-30 til +80° -30 to +80°	-30 til +100° -30 to +100°	-25 til +100° -25 to +100°	-40 til +100° -40 to +100°
Ozonbestandighed Ozone Resistance	Tilfredsstillende Satisfactory	Tilfredsstillende Satisfactory	Tilfredsstillende Satisfactory	Meget god Very good	Udmærket Excellent
Vejrbestandighed General Climate Resistance	God Good	God Good	God Good	Meget god Very good	Udmærket Excellent
Gasuigennemtrængelighed Gas Impermeability	Tilfredsstillende Satisfactory	Tilfredsstillende Satisfactory	God Good	God Good	Tilfredsstillende Satisfactory
(2) Modstand mod blivende deformation (2) Resistance to permanent set	Meget god Very good	God Good	God Good	God Good	God Good
Bindekraft til metal Adhesion to metal	Udmærket Excellent	Meget god Very good	Tilfredsstillende Satisfactory	God Good	Tilfredsstillende Satisfactory
Bindekraft til tekstiler Adhesion to textile	Udmærket Excellent	God Good	Tilfredsstillende Satisfactory	Udmærket Excellent	Tilfredsstillende Satisfactory

(1) = På grund af mange mulige kemikalier, opløsningsmidler, arbejdstemperaturer og arbejdstider kan de oplyste værdier, i enkelte tilfælde, udvise forandringer. Især kan en elastomertype, som normalt udviser ringe bestandighed, udvise en meget god resistens overfor bestemte medier.

(2) = Ved relative lave h.h.v. høje temperaturer reduceres modstanden normalt.

(3) = God udvidelsesbestandighed overfor forskellige blødgørere.

(4) = Det drejer sig om grænseværdier, som kan svinge alt efter sammensætningen af blandingen. Vedvarende indsætning i grænseområderne ændrer de fysiske værdier. Til ekstreme påvirkninger kræves særlige elastomere-blandinger.

(1) = In view of the multitude of chemicals, solvents, application temperatures and times the value quoted may vary in some cases. For example one type of elastomer which normally has only low resistance properties could show very good resistance to certain media.

(2) = At relatively high or low temperatures, resistance generally drops.

(3) = Good expansion resistance to various ester based plasticizers.

(4) = These are borderline values which, depending on composition of the mixture, can vary. If used permanently in such borderline areas, this can lead to a change in the physical values. For such extreme applications it is advisable to use special elastomer mixtures.

Silikone / Silicone

Egenskaber

Arbejdstemperatur (standarddele)

-50°C do +180°C / +250°C

Arbejdstemperatur (specialdele)

-90°C do +315°C

Forlængelse

300 - 800%

Hårdhed

25 - 80 Shore A

Sammenbrudsspænding

23 kV (VDE 0303)

Materialer til specifikke applikationer

Høj kemikalie resistens

God dæmpning af høj- og lavfrekvent vibrationer

Silikonegummiprodukter er smagløse og lugtfrie

Modstandsdygtig over for aldring og vejrforhold

Farver

Farven på silikoneprodukter kan vælges til en given applikation:

Fra gennemsigtig til sort i overensstemmelse med RAL, inklusiv metalfarver (aluminium, stål, messing)

Farverne er kendetegnede ved livlighed og holdbarhed.

Se silikonebestandighedstabel på hjemmesiden.

Characteristics

Working temperature (standard compounds)

-50°C do +180°C / +250°C

Working temperature (specific compounds)

-90°C do +315°C

Elongation

300-800%

Hardness

25 do 80 Shore A

Breakdown voltage

23 kV (VDE 0303)

Materials for specific applications

High chemical resistance

Good damping of high and low frequency vibrations

Silicon rubber products are tasteless and odourless

Resistance to ageing and weather conditions

Colors

The colour of silicon products can be suitably chosen for particular application: from transparent to black, in accordance to RAL, including metallic colours (aluminium, steel, brass).

The colours feature of vividness and durability

Find the silicone table of resistance on our homepage.

Se gummibestandighedstabel på hjemmesiden.
Find the rubber immersion table on our homepage.

Silikonkvaliteter / Silicone grades

Kode / Code	Shore A	Farve / Color
STQ - Teknisk kvalitet STQ - Technical grade	15 - 75	Gennemsigtig, pigmenterbar Transparent, pigmentable
ELQ - Elektrisk ledende ELQ - Electric conductive	70	Sort Black
FLQ - Fluorsilicone FLQ - Fluorsilicone	60	Gennemsigtig, pigmenterbar Transparent, pigmentable
HTQ - Varmeresistent HTQ - Heat resistant	45 - 65	Uigennemsigtig, pigmenterbar Opaque, pigmentable
OLQ - Oliebestandig OLQ - Oil resistant	40 - 80	Uigennemsigtig, pigmenterbar Opaque, pigmentable
PTQ - Platin hærdet PTQ - Platinum cured	70	Gennemsigtig, pigmenterbar Transparent, pigmentable
SB2Q - Brændhæmmende SB2Q - Flame retardant	15 - 75	Gennemsigtig, pigmenterbar Transparent, pigmentable
TRQ - Rivebestandig TRQ - Tear resistant	70	Gennemsigtig, pigmenterbar Transparent, pigmentable
WDQ - Dampresistent WDQ - Steam resistant	55	Uigennemsigtig, pigmenterbar Opaque, pigmentable
WDSTQ - Forbedret dampresistent WDSTQ - Steam resistant improved	15 - 75	Uigennemsigtig, pigmenterbar Opaque, pigmentable
SPQ-1-30 Svamp SPQ-1-30 Sponge	17	Gennemsigtig, pigmenterbar Transparent, pigmentable
SPQ-2-30 Svamp SPQ-2-30 Sponge	14	Gennemsigtig, pigmenterbar Transparent, pigmentable

Dimensional tolerances for moulded, extruded and calendered solid rubber products.
(GB/T 3672-92) ISO3302-1998

Rubber thickness (mm)	E1 ± (mm)	E2 ± (mm) Solid	E3 ± (mm) Sponge-rubber
0 - 1,5	0,15	0,25	0,4
1,5 - 2,5	0,2	0,35	0,5
2,5 - 4	0,25	0,4	0,65
4 - 6,3	0,35	0,5	0,8
6,3 - 10	0,4	0,65	1
10 - 16	0,5	0,8	1,3
16 - 25	0,65	1	1,6
25 - 40	0,8	1,3	2
40 - 63	1	1,6	2,5
63 - 100	1,3	2	3,2

E = ekstrudering. Øvrige kvaliteter er til støbte artikler.

E = extrusion. Other grades are for molded articles.

Se silikonbestandighedstabel på hjemmesiden.

Find chemical resistance of silicone rubber on our homepage.

Plasttyper / Plastic types

POM, PVC

Kemisk betegnelse Chemical Nomenclature	Polyoxymethylene	Polyvinylchlorid
Navnefortegnelse Abbreviation	POM	PVC
(1) Kemisk bestandighed (1) Chemical Resistance	God Good	God Good
(1) Oliebestandighed (1) Oil Resistance	Meget god Very good	God Good
(1) Bestandighed overfor benzin (1) Petrol Resistance	Meget god Very good	Ingen None
Ozonbestandighed Ozone Resistance	Ingen None	Meget god Very good
Svovlsyre bestandighed	Ingen None	Ingen None
(4) Temperaturbestandighed °C	Ca. -40 til +100°C	Ca. -10 til +60°C
Egenskaber	Gode mekaniske egenskaber Slidbestandig Dimensionsstabil	God mekanisk vurdering God svejse/vedhæft egenskaber Bliver hårdere i benzin og olie

TPE

Kemisk betegnelse Chemical Nomenclature	Termoplastiske elastomerer	
Type / kvalitet	TPE gennemsigtig	TPE normal
Hårdhed Shore	55 Sh A - 50 Sh D	60 Sh A - 50 Sh D
Temperaturbestandighed °C	-50 til +125°C	-50 til +125°C
Egenskaber	Fremragende vejrbestandighed. God kemisk bestandighed (Undtagen ved organisk opløsningsmiddel, aromatiske- og vegetabiliske olier).	

(1) = På grund af mange mulige kemikalier, opløsningsmidler, arbejdstemperaturer og arbejdstider kan de oplyste værdier, i enkelte tilfælde, udvise forandringer. Især kan en elastomeretype, som normalt udviser ringe bestandighed, udvise en meget god resistens overfor bestemte medier.

(2) = Ved relative lave h.h.v. høje temperaturer reduceres modstanden normalt.

(3) = God udvidelsesbestandighed overfor forskellige blødgørere.

(4) = Det drejer sig om grænseværdier, som kan svinge alt efter sammensætningen af blandingen. Vedvarende indsætning i grænseområderne ændrer de fysiske værdier. Til ekstreme påvirkninger kræves særlige elastomereblandinger.

(1) = In view of the multitude of chemicals, solvents, application temperatures and times the value quoted may vary in some cases. For example one type of elastomer which normally has only low resistance properties could show very good resistance to certain media.

(2) = At relatively high or low temperatures, resistance generally drops.

(3) = Good expansion resistance to various ester based plasticizers.

(4) = These are borderline values which, depending on composition of the mixture, can vary. If used permanently in such borderline areas, this can lead to a change in the physical values. For such extreme applications it is advisable to use special elastomer mixtures.

Varenummerindex / product number index

Vare Art	Side Page	Vare Art	Side Page	Vare Art	Side Page	Vare Art	Side Page	Vare Art	Side Page	Vare Art	Side Page
20.13002	104	30.0192-4973	106	30.11911	40	30.15170	28	30.7505E	23	30.shoreD	112
20.6020	104	30.10005E	23	30.119E	22	30.16239	32	30.7507	31	30.SM251	43
20.6025	104	30.10036	32	30.1201KE	23	30.16688	30	30.7508	39	30.WI660	23
20.6030	104	30.101.25	22	30.120CR	22	30.16977	31	30.7509	39	30.WI747	23
20.6120	104	30.101.5	22	30.120E	22	30.174S	42	30.7519	40	31.018S	37
20.6125	104	30.101	22	30.120NBR	22	30.176	42	30.7519NBR	40	31.018X	37
20.6130	104	30.102	22	30.121E	22	30.180	43	30.7559	27	31.021S	37
30.0192-0374	106	30.102E	22	30.122CR	22	30.182	42	30.7613	27	31.022S	37
30.0192-0431	106	30.103.5CR	22	30.122E	22	30.190	28	30.762	30	31.025S	37
30.0192-0459	106	30.103.5NBR	22	30.122NBR	22	30.2005E	23	30.7645	27	31.035S	41
30.0192-0460	106	30.103CR	22	30.124E	22	30.21101205	40	30.7648	27	31.036SI-LTC	41
30.0192-10142	106	30.103E	22	30.12553-2	28	30.2151	25	30.7649-12	25	31.036SI	41
30.0192-10318	106	30.103NBR	22	30.125CR	22	30.2151S	25	30.7649-8	25	31.037	41
30.0192-10322	105	30.103SIH	22	30.125E	22	30.216S	23	30.7649	25	31.037SI	41
30.0192-10358	106	30.104.5CR	22	30.125NBR	22	30.218S	23	30.7650	25	31.038SI	41
30.0192-10389	106	30.104.5E	22	30.12759	23	30.220L	23	30.7651	27	31.041S	37
30.0192-10519	106	30.104.5NBR	22	30.12896	39	30.22381	42	30.7652	24	31.042S	37
30.0192-10680	105	30.10461-2	31	30.12932-1	39	30.2310E	23	30.7663	29	31.043S	38
30.0192-10927	105	30.10485	31	30.12932-2	30	30.2438	29	30.7696	23	31.047	37
30.0192-10947	106	30.104CR	22	30.12957-1	24	30.2449	39	30.7770	26	31.048	40
30.0192-10963	105	30.104E	22	30.12957-2	24	30.2455	39	30.7780/4	26	31.050	40
30.0192-10966	105	30.104NBR	22	30.12957-3	25	30.2505E	23	30.7811	30	31.060S	37
30.0192-11007	105	30.104SIH	22	30.13049-1	31	30.2566	25	30.7845	31	31.061S	38
30.0192-11016	105	30.105.3CR	22	30.13049-2	31	30.257S	26	30.7853X	24	31.063	37
30.0192-11093	106	30.105.3NBR	22	30.13049-4	31	30.258	26	30.7932	24	31.064	38
30.0192-11137	106	30.105.7CR	22	30.13049-5	31	30.262S	23	30.7933	24	31.065S	38
30.0192-11278	106	30.105.7NBR	22	30.13062	30	30.2653	26	30.7935	24	31.066	38
30.0192-11342	106	30.105CR	22	30.13066	82	30.29300-129	30	30.798	29	31.068S	38
30.0192-11385	106	30.105E	22	30.13086	37	30.29300-130	30	30.7987	39	31.070S	39
30.0192-11484	105	30.105NBR	22	30.130CR	22	30.2984-1	40	30.8199	26	31.071S	39
30.0192-11527	105	30.105SIH	22	30.130NBR	22	30.2984-2	40	30.8199W	26	31.072	30
30.0192-11550	106	30.106.5CR	22	30.13144	53	30.2984-3	40	30.8270	28	31.074S	39
30.0192-11800	105	30.106.5NBR	22	30.13186-1	68	30.2984-5	40	30.8331	29	31.112S	46
30.0192-11937	106	30.106CR	22	30.13186-2	68	30.2984-6	40	30.8439	44	31.116S	46
30.0192-11991	106	30.106E	22	30.13186-3	68	30.3003E	23	30.8469	24	31.145S	46
30.0192-12300	106	30.106NBR	22	30.13186-4	68	30.3006E	23	30.8538	43	31.148	46
30.0192-12398	106	30.106SIH	22	30.13186-5	68	30.313	27	30.8538B	43	31.155	46
30.0192-12418	105	30.107.5CR	22	30.13186-6	68	30.314S	27	30.9215	32	31.216GS	38
30.0192-12442	106	30.107.5NBR	22	30.13186-7	68	30.315S	27	30.9387-1	32	31.216ST	38
30.0192-12465	106	30.10777-1	39	30.13186-8	68	30.315SB	27	30.9387-2	31	31.365	46
30.0192-12642	105	30.107CR	22	30.13242	32	30.324S	25	30.9437-100	33	31.369	28
30.0192-1345	106	30.107E	22	30.132CR	22	30.324SB	25	30.9437-125	33	31.4281	62
30.0192-1494	106	30.107NBR	22	30.132NBR	22	30.325X	25	30.9437-160	33	31.6701	46
30.0192-1744	106	30.108.4CR	22	30.13315	53	30.3305E	23	30.9437-200	33	31.6702	46
30.0192-1768	106	30.108.4NBR	22	30.13421	27	30.3310E	23	30.9437-250	33	31.6703	46
30.0192-1881	106	30.108CR	22	30.13447-8	29	30.331	24	30.9437-315	33	31.702	31
30.0192-1949	106	30.108E	22	30.13503	32	30.333X	24	30.9437-400	33	31.OT2179	43
30.0192-2029	106	30.108NBR	22	30.13535	39	30.340	29	30.9437-500	33	32.009S	47
30.0192-2067	106	30.108SIH	22	30.135E	22	30.4437	29	30.9519	39	32.010	47
30.0192-2076	105	30.108SIHX	22	30.135NBR	22	30.4469	31	30.9548	37	32.016S	44
30.0192-2364	106	30.109.5CR	22	30.136/45	42	30.5003E	23	30.9691-2	23	32.034S	44
30.0192-2408	106	30.109.5NBR	22	30.136	42	30.5004E	23	30.9691-3	25	32.036S	44
30.0192-2819	105	30.109CR	22	30.136NBR	42	30.5005E	23	30.9691-5	23	32.036X	44
30.0192-2845	106	30.109E	22	30.13796	31	30.5010E	23	30.9826-1	32	32.044S	44
30.0192-2969	105	30.109NBR	22	30.13841	27	30.50967	27	30.9826-2	32	32.046S	44
30.0192-3161	105	30.110CR	22	30.1386	38	30.5179	29	30.9884S	53	32.047	44
30.0192-3214	105	30.110E	22	30.138NBR	42	30.5550M	26	30.9884X	41	32.057	45
30.0192-3365	106	30.110NBR	22	30.138S	42	30.5560	26	30.9885	41	32.064S	45
30.0192-3375	105	30.111CR	22	30.140	42	30.5596	31	30.9906	67	32.066	45
30.0192-3414	105	30.111NBR	22	30.14053	27	30.5808E	23	30.9996-10	24	32.075	45
30.0192-3415	105	30.112CR	22	30.14098-2	25	30.5881	25	30.9996-4	32	32.095S	45
30.0192-3497	106	30.112E	22	30.140CR	22	30.5981	26	30.9996-5	32	32.1024S	44
30.0192-3551	106	30.112NBR	22	30.140NBR	22	30.6487	43	30.9996-6	32	32.1025S	44
30.0192-3588	106	30.113CR	22	30.141	29	30.6502.5E	23	30.OT0136	39	32.1025SK	44
30.0192-3616	106	30.113E	22	30.14130	28	30.6622	38	30.OT101	42	32.1037S	45
30.0192-3693	106	30.113NBR	22	30.14163-1	29	30.6622N	38	30.OT1024	23	32.1045S	45
30.0192-3739	105	30.11459	38	30.14163	29	30.6648	25	30.OT1024B	23	32.1045SK	44
30.0192-3845	106	30.114CR	22	30.14227	40	30.6705E	23	30.OT1057	42	32.1301	47
30.0192-3877	105	30.114E	22	30.142S	29	30.6710E	23	30.OT1080	43	32.1307S	46
30.0192-3900	106	30.114NBR	22	30.14356	40	30.6724	38	30.OT1081	43	32.1640	45
30.0192-4588	105	30.115CR	22	30.144	29	30.6759	26	30.OT1092	31	32.165	45
30.0192-4626	106	30.115E	22	30.14507-1	38	30.6944	26	30.OT1387	28	32.2024CR	44
30.0192-4633	105	30.116CR	22	30.14507-2	38	30.7106	27	30.OT2036	42	32.2024M	44
30.0192-4634	105	30.116E	22	30.14507-3	40	30.7249	30	30.OT3271	43	32.2045M	44
30.0192-4690	106	30.116NBR	22	30.145	29	30.7266	30	30.OT3272	28	32.255S	45
30.0192-4733	105	30.11774	39	30.145W	29	30.7300/4	26	30.OT3334	43	32.300X	47
30.0192-4756	105	30.117E	22	30.14803	82	30.7300/4Y	26	30.OT3354	27	32.301X	47
30.0192-4792	105	30.118CR	22	30.148S	42	30.7300	26	30.OT3394	37	32.309X	47
30.0192-4906	105	30.118E	22	30.15005E	23	30.7367	23	30.OT3440	39	32.409X	47
30.0192-4926	105	30.118NBR	22	30.15005E	23	30.7408X	42	30.shore20-90	112	32.512	45
30.0192-4947	105	30.11905	30	30.15005KE	23	30.7411	30	30.shoreA	112	32.514S	45

Varenummerindex / product number index

Vare Art.	Side Page	Vare Art.	Side Page	Vare Art.	Side Page	Vare Art.	Side Page	Vare Art.	Side Page	Vare Art.	Side Page
32.516S	45	33.354	4	33.432ALU	13	33.528	15	35.1004K	49	35.3010	49
32.523S	45	33.355B	7	33.433	4	33.529	15	35.1005	49	35.3010K	49
32.527	45	33.357X	5	33.434	3	33.530	15	35.1005K	49	35.3012	49
32.7125	46	33.358B	4	33.435X	3	33.531	15	35.1007	49	35.3012K	49
32.7195S	46	33.358C	4	33.436	12	33.532	15	35.1007K	49	35.3015	49
32.754S	45	33.358X	4	33.438	2	33.611	81	35.1008	49	35.3015K	49
32.795S	46	33.359X	5	33.439A	12	33.613	81	35.1008K	49	35.3020	49
32.8516	28	33.360	6	33.442	12	33.615	81	35.1010	49	35.3020K	49
32.8517	28	33.360F	6	33.443X	12	33.621	81	35.1010K	49	35.3025	49
32.8518	28	33.360NBR	6	33.444A	8	33.623	81	35.1203	49	35.3025K	49
32.8518W	28	33.360R	6	33.444X	8	33.624	82	35.1203K	49	35.3030	49
32.8519	28	33.360X	6	33.447	10	33.625	82	35.1204K	49	35.3030K	49
32.8520	28	33.362	6	33.449	9	33.670	81	35.1204KL	49	35.3505	49
32.866	46	33.362C	6	33.450NBR	8	33.671	81	35.1206K	49	35.3505K	49
32.924	44	33.362D	6	33.451E	9	33.672	81	35.1208K	49	35.3510	49
32.924K	47	33.362E	6	33.452R	9	33.673	81	35.1209	49	35.3510K	49
33.000	13	33.362F	6	33.452X	10	33.674	82	35.1209K	49	35.3535	49
33.003	2	33.362FX	5	33.453X	10	33.675	82	35.1212	49	35.3535K	49
33.019	10	33.365X	6	33.454X	9	33.676	82	35.1212K	49	35.4003K	49
33.020	9	33.367	6	33.455	10	33.9779	7	35.1503	49	35.4005	49
33.021	4	33.369	5	33.456	9	34.018X	37	35.1503K	49	35.4005K	49
33.022	10	33.370NBR	5	33.456F	10	34.031X	37	35.1504K	49	35.4010	49
33.024	9	33.371E	5	33.457	8	34.035	38	35.1505K	49	35.4010K	49
33.025	6	33.371F	5	33.457S-4	9	34.117/6	40	35.1506K	49	35.4012K	49
33.026	12	33.371FX	5	33.457S-6	9	34.14334X	37	35.1507	49	35.4020	49
33.026X	12	33.371X	5	33.457ST	8	34.3011	58	35.1507K	49	35.4020K	49
33.026XA	12	33.372X	8	33.458A	11	34.3020	58	35.1510	49	35.4030	49
33.094X	3	33.374	6	33.458X	10	34.3032	57	35.1510K	49	35.4030K	49
33.1153A	3	33.375	7	33.459B	11	34.3546	30	35.1512	49	35.4035	49
33.1153GA	3	33.376	6	33.459C	11	34.601	57	35.1512K	49	35.4035K	49
33.1154	4	33.377	6	33.459P	11	34.601G	57	35.1515	49	35.4040	49
33.1155	4	33.378	7	33.459X	11	34.602	57	35.1515K	49	35.4040K	49
33.1156	4	33.379	7	33.460-2C	11	34.602G	57	35.1605	49	35.4505	49
33.12116	9	33.380	7	33.460-2F	11	34.603	57	35.1605K	49	35.4505K	49
33.200POMX	20	33.381	8	33.460-2X	11	34.603G	57	35.1608	49	35.5005	49
33.201POM	20	33.382	11	33.460-4X	12	34.604	57	35.1608K	49	35.5006	49
33.201POMX	20	33.383	12	33.460-6X	12	34.606	59	35.1708K	49	35.5006K	49
33.203POMX	20	33.395A	7	33.460-6XL	12	34.606X	59	35.1803K	49	35.5010	49
33.210POM	20	33.395F	8	33.460-6XLPOM	21	34.607	59	35.18053K	49	35.5010E	49
33.210POMX	20	33.395X	7	33.462	12	34.607X	59	35.1808KX	49	35.5010K	49
33.211POMX	20	33.396	8	33.462R	13	34.608X	59	35.1809K	49	35.5020K	49
33.212POM	20	33.398	7	33.463	7	34.609X	59	35.1904K	49	35.6002K	49
33.213POM	21	33.401G	2	33.464	10	34.613	57	35.2003	49	35.6010	49
33.213POMX	21	33.403	7	33.465B	11	34.614	57	35.2003K	49	35.6040	49
33.214POM	21	33.403F	7	33.465C	11	34.620010	57	35.2005	49	35.8020K	49
33.215POM	21	33.407X	7	33.465X	11	34.620040	57	35.20055	49	36.0505	50
33.216POMX	21	33.408X	7	33.468B	4	34.620140	58	35.20055K	49	36.0806	50
33.218POM	21	33.409	2	33.468F	4	34.620210	57	35.2005K	49	36.1003	50
33.220POM	21	33.409ALU	13	33.468X	4	34.62039	58	35.2006K	49	36.1003SIH	50
33.306	2	33.409F	2	33.469X	5	34.62040	58	35.2010	49	36.1005	50
33.307A	2	33.409POMX	20	33.470	9	34.62041	58	35.2010K	49	36.1005G	50
33.308A	2	33.410POMX	20	33.471	12	34.620420	58	35.2010KL	49	36.1005X	51
33.308POMX	20	33.410X	2	33.472	12	34.62105	57	35.2012	49	36.1006SIH	50
33.309XM	2	33.410XG	2	33.473	12	34.62110	58	35.2012K	49	36.1007	50
33.310ALU	13	33.411	3	33.474	12	34.624	58	35.2015	49	36.1007X	51
33.310SS-316	2	33.415	3	33.475	11	34.625	58	35.2015K	49	36.1008	50
33.310SS	2	33.416	82	33.478	10	34.62610S	58	35.2018	49	36.1010	50
33.310X	2	33.417TPE	21	33.479	11	34.626	58	35.2020	49	36.1010CR	51
33.311	14	33.417TPEX	21	33.480	8	34.62713H	59	35.2020K	49	36.1010E	50
33.312	14	33.418SS	2	33.481	5	34.62713S	59	35.2207K	49	36.1010SIH	50
33.319	8	33.418X	3	33.482	11	34.636	58	35.2502	49	36.1010X	51
33.319F	8	33.419	3	33.483	11	34.637	58	35.2505	49	36.102.5	48
33.320	10	33.419A	3	33.506	8	34.641	57	35.2505K	49	36.102	48
33.321	9	33.420F	3	33.510	14	34.643	57	35.2506	49	36.1025E	48
33.323	8	33.420FX	3	33.511	14	34.644	57	35.2506K	49	36.102E	48
33.324CR	8	33.420X	2	33.512	14	34.676S	59	35.2508K	49	36.103	48
33.326	10	33.422	2	33.513	14	34.677	59	35.2510	49	36.1035E	48
33.328	10	33.424	21	33.514	14	34.678	59	35.2510K	49	36.103CR	48
33.331	10	33.424TPE	21	33.515	14	34.7102-50	57	35.2515	49	36.103E	48
33.332B	10	33.424TPEX	21	33.516	14	34.7196	57	35.2515K	49	36.104	48
33.332X	9	33.426	4	33.517	14	34.7199	58	35.2520	49	36.1045E	48
33.333	9	33.426A	3	33.518	14	34.7514	58	35.2520K	49	36.104CR	48
33.335	9	33.426GA	3	33.519	14	34.7528-2	30	35.2525	49	36.105CR	48
33.338F	8	33.426X	4	33.520	14	34.7528-2H	30	35.2525K	49	36.105E	48
33.339X	9	33.426XA	3	33.521	14	35.0806	49	35.2806K	49	36.106	48
33.340	10	33.427X	3	33.522	15	35.0806K	49	35.3003K	49	36.106CR	48
33.352	5	33.428 / 33.428G	4	33.523	15	35.0808K	49	35.3005	49	36.106E	48
33.353	5	33.429	14	33.524	15	35.10020K	49	35.3005K	49	36.106EG	48
33.353NBR	5	33.430	4	33.525	15	35.1003	49	35.3006K	49	36.106ESP	48
33.353S	5	33.431A	14	33.526	15	35.1003K	49	35.3007	49	36.107CR	48
33.353X	5	33.432	2	33.527	15	35.1004	49	35.3007K	49	36.107E	48

Varenummerindex / product number index

Vare Art	Side Page	Vare Art	Side Page	Vare Art	Side Page	Vare Art	Side Page	Vare Art	Side Page	Vare Art	Side Page
36.108	48	36.2015	50	36.5005CR	51	36.67502	56	36.K852	52	38.400-3	86
36.108CR	48	36.2015SIH	50	36.5005SIH	50	36.68005CR-5952	56	36.K853	53	38.400-4	86
36.108E	48	36.2020	50	36.5010	50	36.68005CR	56	37.221/1G	99	38.400-5	86
36.108EG	48	36.2020CR	51	36.5010X	51	36.7003	48	37.250X	93	38.400-6/650	86
36.109E	48	36.2020SIH	50	36.5020	50	36.7004.5X	48	37.251X	93	38.400-6	86
36.110	48	36.202	49	36.5020E	50	36.7004	48	37.260	98	38.400-8	86
36.110CR	48	36.208	49	36.5025	50	36.7005	48	37.261	98	38.401-10	86
36.110E	48	36.2318X	51	36.5030	50	36.7005X	48	37.262	98	38.401-15	86
36.111E	48	36.2503	50	36.6020NBR	51	36.7006	48	37.263	98	38.401-20	86
36.112	48	36.2505	50	36.6030	50	36.7006X	48	37.270	98	38.401-2	86
36.112CR	48	36.2505X	51	36.6030E	50	36.7007X	48	37.280	98	38.401-3	86
36.112E	48	36.2507X	51	36.60403	56	36.7008.5X	48	37.400	98	38.401-4	86
36.112EG	48	36.2508X	51	36.60404	56	36.7008	48	38.1215	100	38.401-5	86
36.115	48	36.2510	50	36.60405	56	36.7008X	48	38.1215N	100	38.401-6	86
36.115CR	48	36.2510E	50	36.60503	56	36.7009	48	38.1215NH	100	38.402-0,5	87
36.117E	48	36.2510SIH	50	36.60505	56	36.7009X	48	38.121N	100	38.402-1X	87
36.118CR	48	36.2512X	51	36.60605	56	36.7010.5X	48	38.121NX	100	38.402-2X	87
36.119CR	48	36.2515	50	36.60802	56	36.7010	48	38.122	100	38.402-3X	87
36.120	48	36.2515SIH	50	36.60802CR	56	36.7010X	48	38.122A	100	38.402-4X	87
36.1205	50	36.2520	50	36.60803	56	36.7011.5X	48	38.122EPDM	100	38.402-5X	87
36.1206	50	36.2520E	50	36.60804	56	36.7011X	48	38.122N	100	38.403-2	87
36.120CR	48	36.2520SIH	50	36.60804CR	56	36.7012	48	38.123	100	38.403-3	87
36.120E	48	36.2520SIS	50	36.60805	56	36.7012X	48	38.123EPDM	100	38.403-4	87
36.1210	50	36.2525	50	36.60808	56	36.7014X	48	38.123N	100	38.403-5	87
36.1210E	50	36.2525E	50	36.60808CR	56	36.7015	48	38.123X	100	38.403-6	87
36.1210X	51	36.2525SIH	50	36.61001	56	36.7018X	48	38.124	100	38.403-8	87
36.1212SIH	50	36.3003	50	36.61002	56	36.7028X	48	38.124N	100	38.404-10	87
36.1212X	51	36.3003X	51	36.61003	56	36.7050	48	38.125	100	38.404-12	87
36.122CR	48	36.3005	50	36.61003CR	56	36.7064X	48	38.125N	100	38.404-15	87
36.122E	48	36.3005X	51	36.61004	56	36.720802	55	38.125S	100	38.404-20	87
36.12511X	51	36.3006X	51	36.61005	56	36.720803	55	38.126	100	38.404-2	87
36.125	48	36.3010	50	36.61008	56	36.720804	55	38.126N	100	38.404-3	87
36.125E	48	36.3010E	50	36.61010	56	36.720903	55	38.128	100	38.404-4	87
36.130	48	36.3010SIH	50	36.61010CR	56	36.720904	55	38.128N	100	38.404-5	87
36.130EX	48	36.3015	50	36.61203	56	36.721004	55	38.128NH	100	38.404-6	87
36.135E	48	36.3015CR	51	36.61204	56	36.721005	55	38.128S	100	38.404-8	87
36.14044	53	36.3015X	51	36.61205	56	36.721006	55	38.128SX	100	38.405-10	87
36.1406X	51	36.3020	50	36.61310	56	36.721202	55	38.130	100	38.405-10X	87
36.1503	50	36.3020SIH	50	36.61502	56	36.721203	55	38.130N	100	38.405-15	87
36.1503E	50	36.3020X	51	36.61503	56	36.7213564	55	38.132	100	38.405-20	87
36.1505E	50	36.3025E	50	36.61505	56	36.721503	55	38.132N	100	38.405-40	87
36.1505SIH	50	36.3030	50	36.61506	56	36.721504	55	38.135	100	38.405-6	87
36.1505X	51	36.3305X	51	36.61508	56	36.721508	55	38.135N	100	38.405-8	87
36.1507X	51	36.3314	49	36.61510	56	36.721508B	55	38.136	100	38.407-3	89
36.1510	50	36.3315	53	36.61512	56	36.722004	55	38.137	100	38.407-3C	89
36.1510E	50	36.3351	53	36.61518	56	36.730805H	54	38.138	100	38.407-3G	89
36.1512	50	36.3354	53	36.61530	56	36.730808	54	38.139	100	38.407-3X	89
36.1512E	50	36.34155105	48	36.61603	56	36.730810	54	38.139N	100	38.407-3XL	89
36.1512SIH	50	36.3416068	48	36.61609CR	56	36.730906	54	38.140	100	38.410200	95
36.1515	50	36.341840	48	36.61710	56	36.730906H	54	38.14124	99	38.410201	95
36.1604	50	36.342026	48	36.61808	56	36.730907	54	38.14572	99	38.410202	95
36.1605	50	36.342030	48	36.62002	56	36.730907G	54	38.152EPDM	51	38.410203	95
36.1610SIH	50	36.342226	48	36.62003	56	36.730955	54	38.153EPDM	51	38.418	89
36.1612E	50	36.342232	48	36.62004	56	36.730955G	54	38.154EPDM	51	38.418N	89
36.1612X	51	36.342433	48	36.62004CR	56	36.730955H	54	38.155EPDM	51	38.419A	91
36.1616SIH	50	36.342529	48	36.62005	56	36.731210	54	38.156EPDM	51	38.419C	90
36.1808G	50	36.342840	48	36.62008	56	36.731210H	54	38.158EPDM	51	38.420CX	91
36.1812SIH	50	36.344511	48	36.62010	56	36.731412D	54	38.160E/K	56	38.420X	91
36.1815EG	50	36.3504	53	36.62305	56	36.732115	54	38.160EPDM	51	38.420XL	91
36.1816	50	36.3515X	51	36.62502	56	36.740907	54	38.162EPDM	51	38.422-1350	98
36.197	49	36.3516	50	36.62506	56	36.80955S	54	38.165EPDM	51	38.422-1650	98
36.198	49	36.3520E	50	36.62510	56	36.90810	54	38.170E/K	56	38.422-1750	98
36.198A	49	36.3520X	51	36.62525	56	36.9086S	54	38.170EPDM	51	38.423-1650	98
36.198CR	49	36.3704	53	36.63005	56	36.9088S	54	38.175E/K	56	38.423-1750	98
36.198S	49	36.3813	53	36.63005CR-5952	56	36.92117	54	38.175EPDM	51	38.424-1800	98
36.199	49	36.3881	53	36.63010	56	36.B380	53	38.180NR	51	38.425-3	92
36.2002	50	36.3882	53	36.63012	56	36.K608	52	38.188	56	38.425-3C	92
36.2003	50	36.3897	53	36.63030CR	56	36.K613	52	38.189	56	38.425-5	92
36.2003SIH	50	36.4010	50	36.63204CR	56	36.K616	52	38.190	56	38.425-5C	92
36.200	49	36.4010E	50	36.64003	56	36.K671	52	38.191	56	38.425N-3	92
36.2005	50	36.4010X	51	36.64005	56	36.K675	52	38.201.5	100	38.425N-5	92
36.2005SIH	50	36.4012	50	36.64005CR	56	36.K676	52	38.202	100	38.426-3	92
36.2005X	51	36.4012SIH	50	36.64010	56	36.K677	52	38.203	100	38.426-3C	92
36.2008X	51	36.4015	50	36.64015	56	36.K678	52	38.205	100	38.426-3CX	92
36.2010	50	36.4015E	50	36.65003	56	36.K679	52	38.345522	97	38.426-5	92
36.2010CR	51	36.4020CR	51	36.65005CR-5952	56	36.K680	52	38.400-10	86	38.426-5C	92
36.2010E	50	36.4020E	50	36.65005CR	56	36.K681	52	38.400-12	86	38.426-5CX	92
36.2010SIH	50	36.4020X	51	36.65007CR	56	36.K683	52	38.400-15	86	38.426-8C	92
36.2010SIHK	50	36.4025	50	36.65010	56	36.K695	52	38.400-20	86	38.427-3C	89
36.2010SIS	50	36.4025E	50	36.6600.4X	56	36.K697	52	38.400-25	86	38.427-3GC	89
36.2010X	51	36.4030E	50	36.66004	56	36.K698	52	38.400-2	86	38.429-2	88

Varenummerindex / product number index

Vare Art.	Side Page	Vare Art.	Side Page	Vare Art.	Side Page	Vare Art.	Side Page	Vare Art.	Side Page	Vare Art.	Side Page
38.430-10/70	99	39.1637	110	39.4087	74	39.685	74	39.C75/100	72	39.E30/35	70
38.430-10/90	99	39.1638	110	39.4110	75	39.69	75	39.C75/30-M10	72	39.E40/15-SH43	70
38.430-5/70	99	39.1639	110	39.4129	75	39.79	75	39.C75/30	72	39.E40/20-M6	70
38.430-5/80	99	39.1640	110	39.4156	74	39.93	75	39.C75/55-43	72	39.E40/20	70
38.430-8/70	99	39.1641	110	39.4178	74	39.AV2024	73	39.C75/55-M10	72	39.E40/30	70
38.430-8/90	99	39.1642	110	39.4224	75	39.AV30	73	39.C75/55	72	39.E50/20-M10	71
38.431-3	92	39.1643	110	39.4229	75	39.AV5068	73	39.D10/10	69	39.E50/20-M12	71
38.431-5	92	39.1644	110	39.4244	75	39.AV50	73	39.D100/30	72	39.E50/20	71
38.431	92	39.167G	63	39.4249	75	39.AV9580	73	39.D100/50	72	39.E50/25-M12	71
38.432	88	39.168G	63	39.4250	75	39.B100/30	72	39.D100/75	72	39.E50/25	71
38.433	88	39.169G	63	39.4251	75	39.B100/40	72	39.D15/10-M6	69	39.E50/40-M12	71
38.434	90	39.170G	63	39.4257	75	39.B100/50	72	39.D15/10	69	39.E50/40	71
38.434A	90	39.171G	63	39.4269	75	39.B100/75	72	39.D15/15-M6	69	39.E60/30-M12	71
38.435C	90	39.171J	63	39.4310	75	39.B16/18	69	39.D15/15	69	39.E60/30	71
38.436C	91	39.172	63	39.4311	75	39.B20/10-M6	69	39.D150/50	72	39.E60/40-M12	71
38.440-6	98	39.173	64	39.4333	74	39.B20/10	69	39.D20/15E	69	39.E60/40	71
38.440-6A	98	39.174	63	39.4380	75	39.B20/15	69	39.D20/20-M6	69	39.E70/35	71
38.440-8	98	39.175H	63	39.4380X	74	39.B2020	69	39.D20/20	69	39.E70/50	71
38.440-8A	98	39.175J	63	39.4381	75	39.B25/25-M6	70	39.D200/100	72	39.E75/30-M12	72
38.440-8X	98	39.177	63	39.4399	74	39.B25/25	70	39.D30/10-M6	70	39.E75/30	72
38.449-1200	99	39.178	63	39.4403	75	39.B2513	69	39.D30/10	70	39.E75/50-M12	72
38.449-750	99	39.179	63	39.500500A	76	39.B30/20	70	39.D30/15-M6	70	39.E75/50	72
38.450-760	99	39.180	67	39.55	75	39.B30/20X	70	39.D30/15	70	39.E80/50-M16	72
38.451-1600	99	39.181052	64	39.56	75	39.B30/30-M6	70	39.D30/20-M6	70	39.E80/50	72
38.452-1200	99	39.181060	64	39.57	75	39.B30/30	70	39.D30/20	70	39.KD25/17	73
38.5017530	95	39.181061	64	39.620J	64	39.B40/20	70	39.D30/30-M6	70	39.KD50/18	73
38.5017530	95	39.181	67	39.623J	64	39.B40/30	70	39.D30/30	70	39.KP-D10/10	73
38.5501110	97	39.1819	109	39.624	64	39.B40/35	70	39.D40/15-M6	70	39.KP-D115/136	73
38.5501210	97	39.182	67	39.625	64	39.B50/21	71	39.D40/15	70	39.KP-D118/77	73
38.5501310	97	39.183	67	39.626J	64	39.B50/30	71	39.D40/20-A2	70	39.KP-D15/22	73
38.623750	97	39.183A	67	39.627	64	39.B50/50-M10	71	39.D40/20-M10	70	39.KP-D20/15	73
38.623752	97	39.183B	67	39.628	64	39.B50/50	71	39.D40/20-M6	70	39.KP-D25/16	73
38.623764	97	39.183C	67	39.629	64	39.B60/30	71	39.D40/20	70	39.KP-D25/20	73
38.8100110	94	39.184	67	39.630	65	39.B60/40	71	39.D40/25-A2	70	39.KP-D30/30	73
38.8100310	94	39.185	67	39.631A	65	39.B75/30	72	39.D40/30-A2	70	39.KP-D30/36	73
38.8103110	94	39.186	67	39.631X	65	39.B75/40	72	39.D40/30-M8	70	39.KP-D50/50	73
38.9110030	96	39.187	67	39.632A	63	39.B75/50	72	39.D40/30	70	39.KP-D50/58	73
38.9117630	96	39.188	67	39.632B	63	39.BUMPER-CAR2	78	39.D40/35-A2	70	39.KP-D50/61	73
38.9117631	96	39.200200	76	39.632C	63	39.BUMPER-CAR	78	39.D40/35	70	39.KP-D50/67	73
38.9716230	96	39.2486	74	39.632J	63	39.BUMPER-FENDER	78	39.D40/40-A2	70	39.KP-D60/40	73
38.9726230	94	39.2776	75	39.634	65	39.BUMPER	103	39.D40/40	70	39.KP-D70/58	73
38.9730030	94	39.300300	76	39.634P	65	39.BUMPERB	103	39.D40/45-A2	70	39.KP-D70/60	73
38.9730030S	94	39.300300A	76	39.635	66	39.BUMPERC	103	39.D50/20-M12	71	39.KP-D75/89	73
38.9750030	94	39.300300FK	76	39.635X	66	39.BUMPERD	103	39.D50/20	71	39.KP-E10/10	73
38.9971010	99	39.3010	74	39.636	66	39.BUMPERE	103	39.D50/25-M12	71	39.KP-E115/136	73
38.9971020	99	39.3023	75	39.636H	66	39.C100/40	72	39.D50/25	71	39.KP-E118/77	73
39.103195	73	39.3029	75	39.636X	66	39.C100/50	72	39.D50/30-M10	71	39.KP-E15/22	73
39.1208P	24	39.3051	75	39.637	64	39.C100/75	72	39.D50/30	71	39.KP-E20/15	73
39.1501	108	39.3240	74	39.638	64	39.C150/40	72	39.D60/30-M12	71	39.KP-E20/24	73
39.1502	108	39.3366	75	39.642X	65	39.C150/50	72	39.D60/30	71	39.KP-E25/16	73
39.1503	108	39.3381	75	39.643X	65	39.C150/75	72	39.D60/40-M12	71	39.KP-E25/20	73
39.1504	108	39.3428	75	39.644	65	39.C20/10	69	39.D60/40	71	39.KP-E30/30	73
39.1506	108	39.3581	75	39.645	68	39.C20/20	69	39.D6050	71	39.KP-E30/36	73
39.1507	108	39.360	64	39.646	64	39.C200/100	72	39.D65/35	71	39.KP-E35/40	73
39.1508	108	39.36412	75	39.647	65	39.C25/10	69	39.D70/40-M12	71	39.KP-E50/50	73
39.1509	108	39.3700	75	39.648	65	39.C25/15	70	39.D70/40	71	39.KP-E50/61	73
39.1510	108	39.3722	74	39.649	65	39.C25/25-M6	70	39.D70/70	71	39.KP-E50/67	73
39.1511	108	39.3726	75	39.650	65	39.C30/20	70	39.D75/30	72	39.KP-E50/68	73
39.1512	108	39.3802	75	39.651A	65	39.C30/30	70	39.D75/50-M10	72	39.KP-E60/40	73
39.1513	108	39.3803	75	39.652	65	39.C40/25	70	39.DC300300	78	39.KP-E70/58	73
39.1514	108	39.3803X	74	39.653	65	39.C40/30	70	39.DD300300	77	39.KP-E70/60	73
39.1515	108	39.3813	75	39.654	109	39.C40/40-M10	70	39.E100/25	72	39.KP-E75/89	73
39.1616	109	39.3815	75	39.655	109	39.C40/40	70	39.E100/30	72	39.KP-E95/80	73
39.1617	109	39.3846	74	39.656	66	39.C50/20	71	39.E100/40	72	39.M1810	69
39.1618	109	39.3849	75	39.657	66	39.C50/25	71	39.E100/50	72	39.M20/10-M6	69
39.1620	109	39.3868	74	39.658	66	39.C50/30-68	71	39.E100/75	72	39.M20/10	69
39.1621	109	39.3872	74	39.659	66	39.C50/30-M8	71	39.E150/50-M20	72	39.M2015	69
39.1622	109	39.3873	74	39.660	66	39.C50/30	71	39.E150/50	72	39.M2020-M8	69
39.1623	109	39.3874	74	39.661	66	39.C50/35	71	39.E150/75-M20	72	39.M2020	69
39.1624	109	39.3875	74	39.662	66	39.C50/40-M12	71	39.E150/75	72	39.M24	65
39.1625	109	39.3876	74	39.663	66	39.C50/40	71	39.E20/10-M6	69	39.M2515	70
39.1626	109	39.3878	75	39.664	66	39.C50/45	71	39.E20/10	69	39.M2520-M6	70
39.1627	109	39.3879	75	39.665	66	39.C60/30-M8	71	39.E200/100	72	39.M2520	70
39.1628	109	39.3887	74	39.674	74	39.C60/30	71	39.E25/10-M6	69	39.M30/10	70
39.1630	110	39.3904X	74	39.678	74	39.C60/40-M10	71	39.E25/10	69	39.M3015-M8x12	70
39.1631	110	39.3923	75	39.678X	74	39.C60/40-M12	71	39.E30/15-M6	70	39.M3015-M8x15	70
39.1632	110	39.3925	75	39.680H-1180	74	39.C60/40	71	39.E30/15	70	39.M3020-55	70
39.1633	110	39.3952	75	39.680H	74	39.C65/35-M10	71	39.E30/20-M6	70	39.M3020	70
39.1634	110	39.4012	75	39.680X	74	39.C65/35	71	39.E30/20	70	39.M3030-SS	70
39.1635	110	39.4025	70	39.684X	74	39.C70/45-M10	72	39.E30/30-M6	70	39.M3030	70
39.1636	110	39.4054	75	39.684XS	74	39.C75/100-M16	72	39.E30/30	70	39.M40/20	70

Varenummerindex / product number index

Vare Art	Side Page	Vare Art	Side Page	Vare Art	Side Page	Vare Art	Side Page
39.M40/40	70	48.605B	84	50.260-5	22	79.051A	102
39.M4030	70	48.605X	84	50.260-6	22	79.052	102
39.M4038	70	48.605Y	84	50.260-8	22	79.053	102
39.M5025	71	48.608	84	50.261	102	79.054	102
39.M5030	71	48.609	84	50.263	102	79.055	102
39.M5040	71	48.612	85	50.263K-10	102	83.842	111
39.M5045	71	48.613K	83	50.263K	102	84.840084	111
39.M5050	71	48.618	85	50.264-10	101	84.930	111
39.M6035	71	48.621	84	50.264	102	84.931	111
39.M6050	71	48.622	84	50.265-10	101	84.932T	111
39.M7540	72	48.622X	84	50.265	101	84.934	111
39.M7550	72	48.623	84	50.266	101	84.934X	111
39.M7560	72	48.623X	84	50.267-10	102	84.935	111
39.M8050	72	48.624	84	50.267	102	84.961	111
39.SC300300	78	48.626	83	50.267NR	102	87.082020	112
39.SD300250	77	48.634	83	50.269	102	87.1034	112
39.SD300300	77	48.634F	83	50.271	101	87.1035	112
41.13459	32	48.634K	83	50.275	101	87.1738	112
41.13459X	32	48.634KF	83	50.276	101	87.1739	112
41.333S	24	48.635	83	50.280	102	87.2000	112
41.406	33	48.635F	83	52.13689-5	107	87.51989	112
41.611P	33	48.635K	83	52.13689A	107	87.52759	112
41.670	32	48.635KF	83	52.13689B	107	87.7051	112
41.674A	24	48.636	83	52.13689C	107	87.723	112
41.675A	24	48.636F	83	52.269X	42	87.727	112
41.678	24	48.636FX	83	52.CWC8	67	87.770/10	112
45.102G	61	48.636K	83	52.PP106	31	D-fender	76
45.123	62	48.636KF	83	54.261700J-5	104	D-fender	76
45.2031024	62	50.083000GG	36	54.261700JX-5	104	D-fender	76
45.20511046	62	50.083000SS	36	54.261720J-5	104	DC-fender	78
45.20511091	62	50.083013	34	54.261740J-5	104	DD-fender	77
45.2051445	62	50.083015GG	34	54.261760J-5	104	Keyhole fender	79
45.205SX	33	50.083015GGX	34	54.261780J-5	104	KF-A-fender	79
45.206AL	60	50.083030	34	54.710720	34	KF-B-fender	79
45.208	33	50.083032GG	34	54.710770	35	KF-C-fender	79
45.209BX	33	50.083033	34	54.710780	36	KF-D-fender	79
45.210B	33	50.083033X	34	57.400/3E	80	MC-fender	79
45.210BX	33	50.083040	34	57.401/3E	80	POM, PVC	114
45.210C	33	50.083040G	34	57.402/3E	80	S10.3301	111
45.210CX	33	50.083040GG	34	57.403/2.5J	81	S10.3303	111
45.216C-50	61	50.083040GS	34	57.403/3E	80	S10.3311	111
45.217C	60	50.083045G	34	57.404/3E	80	S10.3312	111
45.221C	60	50.083045X	34	57.405/2J	81	S10.3313	111
45.224	60	50.083046	34	57.405/3E	80	S10.3314	111
45.235N1057	62	50.083050	34	57.406/3E	80	SC-fender	78
45.235N429	62	50.083050G	35	57.407/3E	80	SD-fender	77
45.235NG1057	62	50.083050GG	34	57.408/3E	80	TPE	114
45.235NG429	62	50.083052G	35	57.410/3E	80	Wing-type-fender	79
45.308C-50	61	50.083055G	35	57.411/3E	80		
45.308C	61	50.083059	35	57.412/3E	80		
45.309C-50	61	50.083060	35	57.413/3E	80		
45.309C	61	50.083060G	35	57.423/3E	80		
45.347C	60	50.083061	35	57.424/3E	80		
45.383C	60	50.083065	35	57.425/3E	80		
45.388C	60	50.083065G	35	57.426/3E	80		
45.393	62	50.083070B	35	57.427/3E	80		
45.394	62	50.083070G	35	57.428/3E	80		
45.705C	60	50.083080G	35	57.429/3E	80		
45.832	60	50.083080GG	35	57.430/3E	80		
45.836	60	50.083081	35	57.431/3E	80		
45.837	60	50.083088	35	57.440/3E	80		
45.839	60	50.083089	36	57.441/3E	80		
45.872	60	50.083090	36	57.442/3E	80		
45.874	60	50.083095	36	57.443/2JP	81		
45.882	60	50.083095B	36	57.443/3E	80		
45.884C	60	50.083095G	36	57.444/3E	80		
45.886	61	50.13621	102	57.445/3E	80		
45.886G	61	50.241NR	101	57.446/3E	80		
45.894	61	50.242NR	101	57.447/3E	80		
45.901	62	50.243-10	102	57.448/3E	80		
45.980A	61	50.243NR	102	57.449/3E	80		
45.980K	61	50.244NR	101	57.450/3E	80		
45.980S	61	50.245H	101	57.451/3E	80		
48.442	85	50.245NR	101	57.452/3E	80		
48.451	84	50.246-10	101	57.453/3E	80		
48.452	84	50.246NR	101	57.454/3E	80		
48.542	85	50.247-10	101	57.455/3E	80		
48.544A	85	50.247NR	101	57.456/3E	80		
48.603	83	50.250	102	63.55030	85		
48.604	83	50.260-10	22	68.4250	85		
48.605	84	50.260-4	22	79.051	102		

Milestones

Participating interests, acquisitions and foundations of subsidiaries


- | | | | |
|-------------|--|-------------|---|
| 1947 | BIBUS AG, Switzerland | 2007 | A/S H. SINDBY & Co., Denmark
BIBUS (BY) COOO, Belarus
BIBUS Bulgaria Ltd., Bulgaria
BIBUS Vietnam Co., Ltd., Vietnam |
| 1976 | BIBUS HYDRAULIK AG, Switzerland | 2008 | BIBUS METALS Ltd., Hong Kong
BIBUS METALS o.o.o., Russia
BIBUS Eurofluid SRL, Romania |
| 1977 | SAUTER EDELSTAHL AG, Switzerland | 2009 | BIBUS SPAIN, S.L., Spain
BIBUS Portugal, Lda, Portugal |
| 1979 | BIBUS METALS AG, Switzerland | 2010 | BIBUS Shanghai Mec., Ltd., China
WESER-PUMPEN GmbH, Germany
BIBUS METALS (Shenzhen) Ltd., China |
| 1990 | BIBUS METALS GmbH, Germany
MPL AG, Switzerland
ELSOFT AG, Switzerland | 2011 | BIBUS METALS s.r.o., Czech Republic
BIBUS METALS Ltd., Great Britain
BIBUS Otomasyon Ltd. Sti., Turkey |
| 1992 | BIBUS s.r.o., Czech Republic
MPI Distribution AG, Switzerland | 2012 | BIBUS Horizon Ltd, India
BIBUS doo, Bosnia |
| 1994 | SAUER BIBUS GmbH, Germany | 2013 | BIBUS (Thailand) Company Ltd, Thailand
CNS Universal Company Ltd, Thailand
BIBUS Italia Srl, Italy |
| 1997 | BIBUS GmbH, Germany
BIBUS Zagreb d.o.o., Croatia | 2014 | BIBUS Malaysia Sdn. Bhd., Malaysia
BIBUS Baltics SIA, Latvia |
| 1999 | BIBUS MENOS Sp. z o.o., Poland
BIBUS SK s.r.o., Slovakia | 2016 | BIBUS Hidrotos Hidrolik A.S., Turkey |
| 2000 | BIBUS Austria GmbH, Austria
BIBUS (UK) Ltd., Great Britain
BIBUS METALS Sp. z o.o., Poland
BIBUS Kft, Hungary | 2017 | S+D Spezialstahl Handelsgesellschaft
mbH, Germany |
| 2001 | BIBUS France S.A.S., France
BIBUS METALS Kft, Hungary | 2018 | BIBUS Romicon B.V., Netherlands |
| 2004 | INOTEH d.o.o., Slovenia
BIBUS METALS BULGARIA EOOD,
Bulgaria
BIBUS METALS S.R.L., Romania | 2018 | OMC Costruzioni Oleomeccaniche Srl,
Italy |
| 2005 | BIBUS Ukraine TOV, Ukraine
BIBUS o.o.o., Russia
BIBUS METALS TOV, Ukraine | | |
| 2006 | BIBUS SES SRL, Romania | | |

 *Switzerland Headquarter*
BIBUS AG
www.bibus.ch

 *Germany*
BIBUS GmbH
www.bibus.de

SAUER BIBUS GmbH
www.sauerbibus.de
WESER-PUMPEN GmbH
www.weser-pumpen.de

 *Austria*
BIBUS Austria GmbH
www.bibus.at

 *Belarus*
BIBUS (BY) COOO
www.bibus.by


 *Bosnia*
BIBUS doo
www.bibus.ba

 *Bulgaria*
BIBUS Bulgaria Ltd.
www.bibus.bg

 *China*
BIBUS Shanghai Mec., Ltd.
www.bibuschina.cn

 *Croatia*
BIBUS Zagreb d.o.o.
www.bibus.hr

 *Czech Republic*
BIBUS s.r.o.
www.bibus.cz

 *Denmark*
BIBUS SINDBY A/S
www.bibus-sindby.dk


 *France*
BIBUS France S.A.S.
www.bibusfrance.fr

 *Great Britain*
BIBUS (UK) Ltd
www.bibus.uk

 *Hungary*
BIBUS Kft
www.bibus.hu

 *India*
BIBUS India Pvt Ltd.
www.bibus.in

 *Italy*
BIBUS Italy
www.bibus.it

 *Latvia*
BIBUS Baltics SIA
www.bibusbaltics.eu

 *Poland*
BIBUS MENOS Sp. z o.o.
www.bibusmenos.pl

 *Portugal*
BIBUS Portugal, Lda
www.bibus.pt

 *Romania*
BIBUS SES SRL
www.bibus.ro

 *Russia*
BIBUS o.o.o.
www.bibus.ru

 *Slovakia*
BIBUS SK s.r.o.
www.bibus.sk

 *Slovenia*
INOTEH d.o.o.
www.inoteh.si

 *Spain*
BIBUS SPAIN, S.L.
www.bibus.es

 *Thailand*
BIBUS Thailand Co. Ltd.
www.bibus.co.th

 *The Netherlands*
BIBUS Romicon B.V.
www.bibusromicon.nl

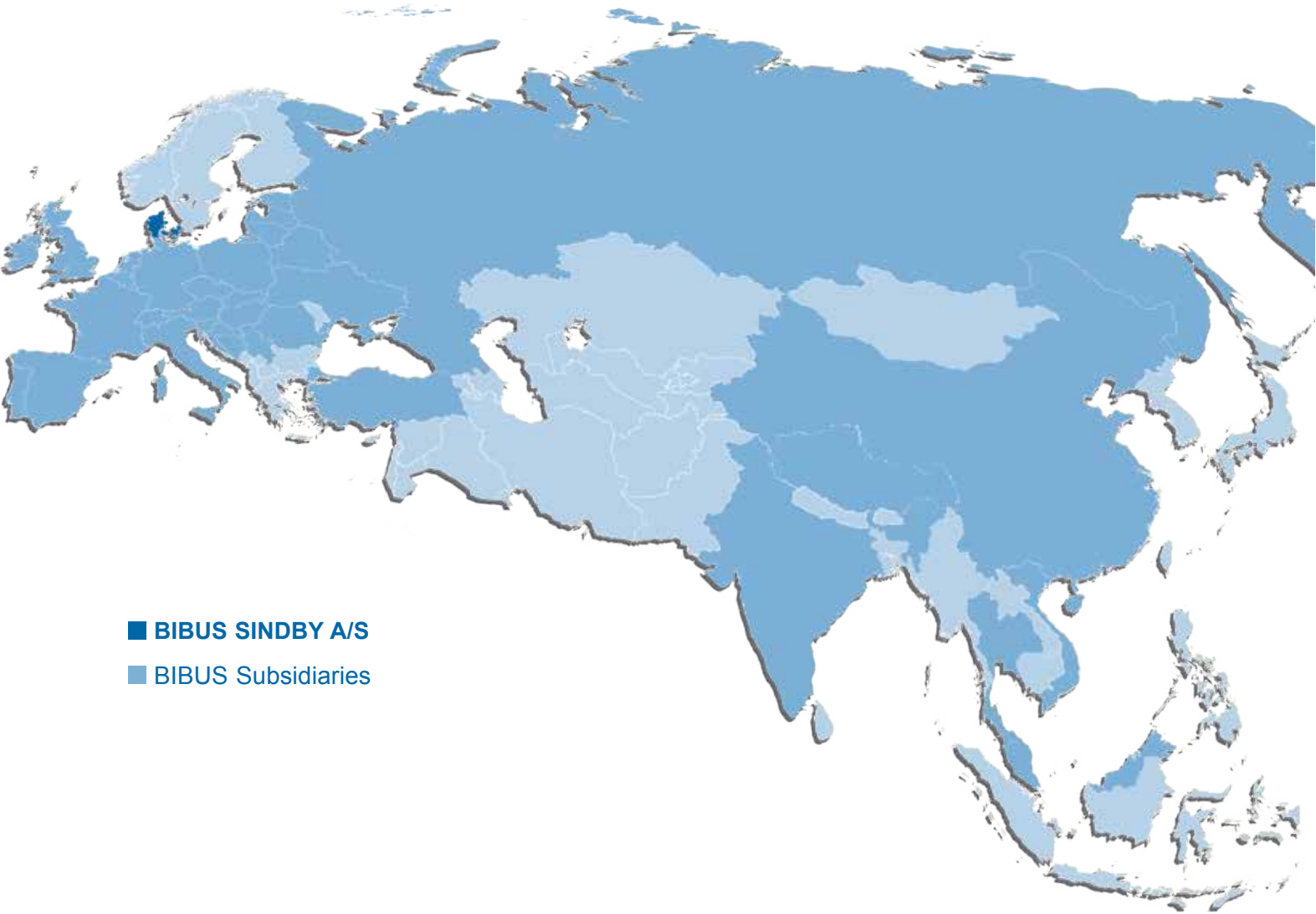
 *Turkey*
BIBUS Otomasyon San. ve Tic. Ltd. Sti.
www.bibus.com.tr
BIBUS Hidrotos A.Ş.
www.bibushidrotos.com.tr

 *Ukraina*
BIBUS Ukraine TOV
www.bibus.ua

 *Vietnam*
BIBUS Vietnam Engineering and Commerce Company Ltd.
www.bibus.vn

ENGINEERING
LOGISTICS
SERVICES

BIBUS
SUPPORTING YOUR SUCCESS



- **BIBUS SINDBY A/S**
- **BIBUS Subsidiaries**

BIBUS SINDBY A/S
Edisonvej 11
DK-7100 Vejle
Tel. +45 75 88 21 22
Fax +45 75 88 21 21
bibus@bibus.dk