

SUCO Pressure Monitoring



Mechanical Pressure Switches

Electronic Pressure Switches

Pressure Transmitters

Sensor Technology



Product Catalogue Pressure Monitoring

1. Edition, March 2015, 3000 pcs.

Article-number 1-0-00-999-100

Publisher:

SUCO Robert Scheuffele GmbH & Co. KG

Keplerstrasse 12-14

74321 Bietigheim-Bissingen

Germany

© Copyright on contents and design.

Reproduction only with prior permission of the publisher.

Welcome to SUCO

What you'll see on the following pages:

SUCO

SUCO – A pressure switch specialist active on the global stage	Page 2
SUCO – A success story	Page 4
SUCO – Prepared for the future	Page 6
General technical explanations	Page 8

MECHANICAL PRESSURE SWITCHES

	From Page 10
Overview of mechanical pressure switches	Page 12
Special technical explanations	Page 16
Choose your mechanical pressure switch – Selection Matrix	Page 18
Product descriptions, order numbers	From Page 22

ELECTRONIC PRESSURE SWITCHES

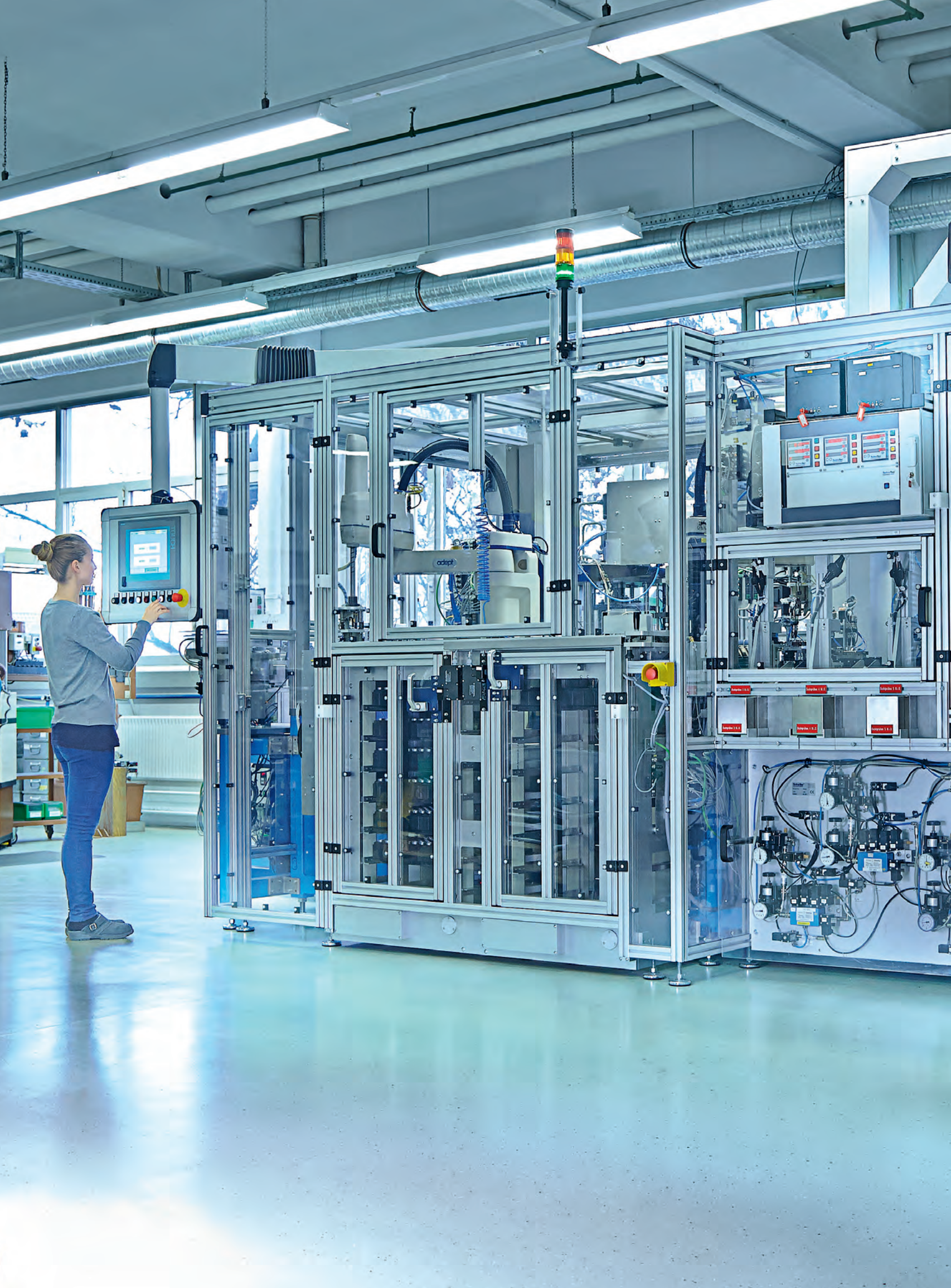
	From Page 96
Overview of electronic pressure switches	Page 98
Special technical explanations	Page 100
Choose your electronic pressure switch – Selection Matrix	Page 105
Product descriptions, order numbers	From Page 106

SUCO PRESSURE TRANSMITTERS

	From Page 134
Overview of pressure transmitters	Page 136
Special technical explanations	Page 138
Choose your pressure transmitter – Selection Matrix	Page 143
Product descriptions, order numbers	From Page 144

esi SENSOR TECHNOLOGY

	From Page 164
ESI - A sensor specialist	Page 166
Brief overview of product lines	Page 167
Which sensor is the right one? - Selection Matrix	Page 170



SUCO Robert Scheuffele GmbH & Co. KG

A pressure monitoring specialist setting standards on the global stage

SUCO Robert Scheuffele GmbH & Co. KG was founded in 1938 and has established itself across the globe under the trade name SUCO. The two main product groups, pressure monitoring (mechanical pressure switches, vacuum switches, electronic pressure switches and pressure transmitters) and transmission technology (centrifugal clutches and brakes, electromagnetic clutches and brakes), as well as descent devices with centrifugal technology, are developed, designed and manufactured at the Bietigheim-Bissingen site, approximately 20 km north of Stuttgart in Germany.



Peter Stabel, Director



Marcell Kempf, Director

Highest quality in all areas

The development and continual expansion of the company premises are indications of a thriving company.

Work on global presence has been rigorous, and today SUCO is actively represented by distribution companies in France (SUCO VSE France – a 50/50 joint venture with VSE Volumentchnik GmbH) and in the USA (SUCO Technologies Inc.), by associate company ESI Technology Ltd in Wrexham, North Wales, and by more than 40 mostly exclusive sales partners in over 50 countries.

Certified to DIN EN ISO 9001:2008, SUCO has retained its consistently high quality standards for many years, something substantiated by numerous audits by reputable companies from a broad diversity of industry sectors.

This worldwide acknowledged product quality is guaranteed with CNC-controlled machining centres, automated assembly machines, sophisticated test systems and the latest in measuring equipment. Outstanding products, high level of customer service and excellent price/performance ratio guarantee SUCO good market positioning within the product sectors mentioned.

A sophisticated level of personnel qualification, a high identification of the employees with the company, process-oriented structures and efficient organisation are guarantees for continued company growth into the future.

Observance of ethical principles and comprehensive environmental awareness are standard at SUCO, and guarantee business relationships on the highest level for our customers all over the world.

This catalogue does not only give a clear and structured overview of our capabilities all around our comprehensive range of pressure monitoring products but also offers detailed technical explanations supporting you in many challenges occurring in your specific applications.

Please trust in a company with over 75 years of experience.

SUCO – A success story

From a mechanical workshop to an industrial company operating on the global stage

1938

Robert Scheuffele starts up a mechanics workshop

1945

Start of the partnership between Robert Scheuffele and Georg Fuhrmann



*16.10.1909 † 20.02.1966 *15.01.1912 † 04.02.1982

1946

Start of production of centrifugal clutches and brakes

1953

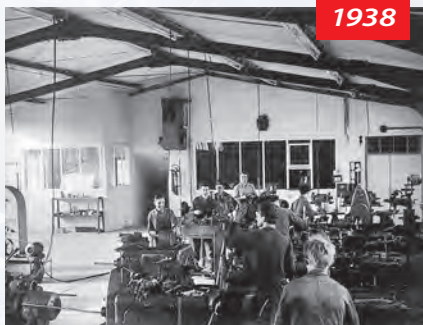
Move into the new premises in Bietigheim-Bissingen, Keplerstrasse (still headquarter today)

1956

Registration of trade name SUCO with worldwide trademark protection

1960

Start of production of mechanical pressure switches for the automotive industry



1938

A view into production



1970

Administration building, Bietigheim-Bissingen



1989

Aerial shot of premises, Bietigheim-Bissingen

1997

First DIN ISO 9001 company certification

1998

Start of market penetration in Asia with set-up of a company pool

Broadening of product expertise to electronic pressure monitoring

Start of the "fully automatic pressure switch adjusting" development project with the Fraunhofer Institute

1999

Founding of subsidiary SUCO VSE France

2001

Certification to DIN ISO 9001:2000

2002

Penetration of the markets in South America and Eastern Europe

2004

Start of development of fully automatic assembly systems for pressure switch modules

2005

New company name: SUCO Robert Scheuffele GmbH & Co. KG

Development of the SUCO zero clutch

1969

Start of production of electromagnet clutches and brakes

Set-up of a pan-European sales network



1979

Further development of SUCO pressure switches especially for hydraulic and pneumatic applications

Strategic alignment to the industry

1980

Development of the hex 24 pressure switch series for broad industrial applications

1984

Development of the hex 27 pressure switch series for broad industrial applications

1987

Broadening of the product range to include custom pre-wired pressure switches

1988

Start of sales in the US

1993

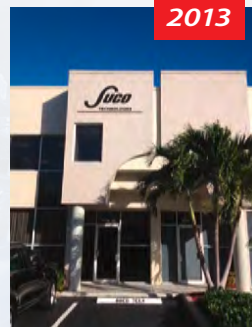
Development of pressure dampers for ABS brake systems in the automotive industry



Aerial shot of premises, Bietigheim-Bissingen



ESI Technology, Wrexham, UK



SUCO Technologies, Boca Raton, USA



SUCO VSE France, Le Mans, France

2006

Development and production start of descenders with centrifugal technology

Enhancement of the laboratory test facility for simulating several million test cycles under different test conditions

Development of the world's smallest pressure switch with adjustable switching point to 400 bar (patented)

2007

Founding of subsidiary SUCO Technologies Inc., USA

2009

Acquisition of ESI Technology Ltd. (UK)

2010

Across-the-board use of enhanced automatic pressure switch adjusters

Development of a transmitter series based on SoS technology

2011

Development of the SUCO thermal brake

2013

75-year company anniversary celebrations

2014

Development of additional intelligent functions integrated in mechanical pressure switches

Tradition and Innovation

The preservation of proven traditions and continuousz efforts in innovation enable visions to become successful reality



Design and development of new products using the latest CAD tools.



Products are subjected to comprehensive testing and measurements to simulate realistic ambient conditions and loads.



Assembly and test of pressure switches on semi and fully automated installations.



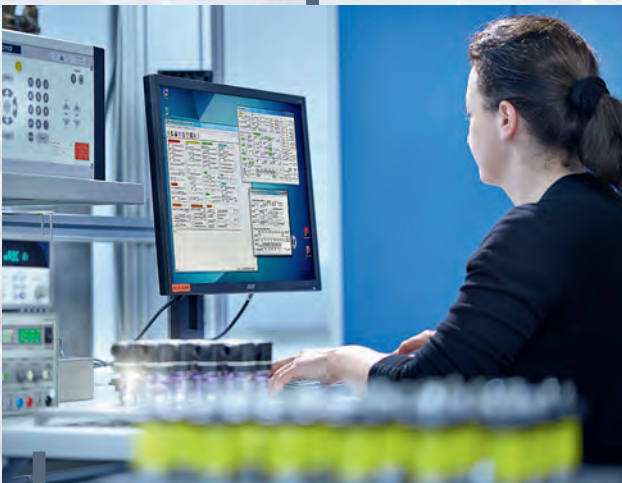
Fully automated switching point adjustment with computer-aided documentation of readings.



Ultra-modern production facilities with integrated, fully automated component handling for high efficiency.



Encapsulating system for custom ready-wired pressure switches for strictest requirements of IP protection class.



State of the art measuring and test methods for assembly and alignment of our electronic products.



Product final inspection with ultra-modern computer-aided test systems.

General technical explanations

User information

Our pressure monitoring products may only be installed and started up by authorised specialists. The safety regulations of country-specific authorities must be observed, especially when working with mains voltages and oxygen, and in potentially explosive areas.

Product information

The technical information in this catalogue is based upon fundamental testing during product development and empirical values. The information cannot be used for all application scenarios.

Testing of the suitability of our products for a specific application (such as the checking of material compatibilities) remains the responsibility of the user. It may be the case that suitability can only be verified by appropriate field testing.

IP protection class

The IP protection class is a defined protection level code (sealing) of electrical equipment housings in line with IEC 60529 (formerly DIN 40050 - Part 2). Protection of a housing against the following is tested here:

- The penetration of solid extraneous particles, such as dust
- Access of hazardous parts
- Penetration of water

IP protection tests are performed as type tests. The IP protection type code, made up of two digits, specifies the protection of a housing against the penetration of solid extraneous particles and water. The numeric code therefore provides conclusions to be drawn on the level of personal safety as well as the functional protection / mid to long-term functional reliability of electrical equipment.

Protection types IP00, IP65, IP67 and IP6K9K

IP00:

No protection against penetration of solid particles or water, no protection against contact.

IP6X:

Protection against penetration of dust (dust proof). Full contact protection.

IPX5:

A jet of water from a nozzle, aimed at equipment (such as a pressure switch) from all directions, must not have any harmful effect.

IPX7:

Protection from water, when equipment (such as a pressure switch) is immersed in water under defined pressure and time conditions. Water must not penetrate into the equipment in harmful quantities.

IP6K9K:

Devices satisfying these requirements must be dust-proof and be able to withstand loads during the use of high-pressure cleaners and steam jets. The standard stipulates a water pressure from 80 to 100 bar at a temperature of 80°C for testing.

IP6KX:

Dust must not penetrate. Letter K: Specific to the electrical equipment of road vehicles.

IPX9K:

Protection against penetration of water at high pressure / for steam jet cleaning. Water aimed at the housing from every direction at greatly increased pressure may not have any damaging effects.

We are able to offer IP67 / IP6K9K for many of our mechanical and electronic pressure switches (pre-wired or with integrated connector) and for our transmitters.

Cylindrical threads

Cylindrical threads are either sealed on the front by underlaying an appropriate sealing ring (such as a copper sealing ring) or by already having integrated O-rings or gaskets.

Conical threads (cone-shaped threads)

Conical threads guarantee tolerance compensation of the two threaded parts. The sealing function is realised with thread flanks which deform permanently and enter into a metallic frictional fit. Conical threads are not screwed in down to the screw-in depth, but fixed with the tightening torque required for the leak tightness. Remember not to exceed the permitted tightening torque of the pressure switch or transmitter presented in the following table (to prevent damaging the threaded pin beforehand, causing it to become untight during operation or to snap off when tightened).

Tightening torques of steel threads

The specifications below are to be understood upper material thresholds for the housing of pressure switches or transmitters. Remember during installation that the type and material of the seal, the condition of mating surfaces (e.g. dry or oily) and the material of the counter-piece all have a bearing on the tightening torque.

Thread	Tightening torque
NPT 1/8; M 10 x 1 conical	max. 18 Nm
M 10 x 1 cyl.; G 1/8	max. 20 Nm
M 12 x 1.5; 7/16 – 20 UNF	max. 30 Nm
G 1/4; 9/16 – 18 UNF	max. 40 Nm
NPT 1/4; M 14 x 1.5	max. 40 Nm

Values 30% lower than in the table above must be used for brass housings.

Using additional sealant to attain the required leak tightness may be necessary for gas applications.

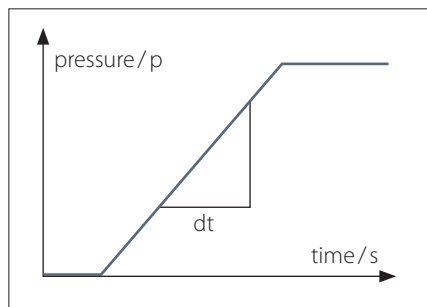
Vacuum

The values given in the technical details for the vacuum range are specified in millibars (mbar) below atmospheric pressure.

Pressure change rate (~rise / ~fall)

The pressure change rate denotes the pressure over time for the rising/falling pressure. The pressure change rate is specified in bar/s or bar/ms.

The maximum pressure change rate for SUCO mechanical pressure switches is 1 bar/ms (1,000 bar/s). For SUCO electronic pressure monitoring products the maximum pressure change rate can be up to 5 bar/ms (5,000 bar/s).



Over pressure protection

The specified over pressure protection in the catalogue is based on a static pressure. The values refer to the hydraulic or pneumatic part of the switch.

It is best practice to use 30 - 50% lower values for dynamic pressure compared to static pressure. These empirical values are based on the knowledge that, in pressure systems, unexpected pressure peaks which are higher than the working pressure are generated as a result of activation of valves, sudden falling or rising load or simply the change of cross-sections in the pipes. With conventional measurement techniques (such as manometers), these pressure peaks are hardly measurable. Faster measurement systems must therefore be used for this data acquisition. Attempts are being made to take this into account by using empirical or corrective factors.

If the pressure ratios are known and the pressure change rates are ≤ 0.1 bar/ms, our pressure switches and transmitters can be used up to the permitted overpressure protection as per data sheet / catalogue. Only 50 % of the specified overpressure protection is permitted when operating at the maximum permitted pressure change rate of ≤ 1 bar/ms for mechanical pressure switches, and at ≤ 5 bar/ms for transmitters.

RoHS-Compliance

RoHS
= Restriction of Hazardous Substances
(EC Directive 2011/65/EU (RoHS II))



CE mark

European Parliament and Council directives must be observed when products are launched onto the market. If a directive exists for a product, it must be applied. Only products for which a directive exists may bear the CE mark.

Mechanical pressure switches with a supply voltage above 50 VAC or 75 VDC are covered by the 2014/35/EU Low Voltage Directive. Variants for potentially explosive areas are covered in addition by the 2014/34/EU ATEX Product Directive.

Our electronic products satisfy EMC (Electromagnetic Compatibility) Directive 2014/30/EC.

Mechanical pressure switches do not fall under the EMC Directive.

The Machinery Directive 2006/42/EC is not applicable, because our products are classed as components.

Our product designs are based upon "good engineering practise" in line with Article 4, Paragraph 3 of the Pressure Equipment Directive (2014/68/EU), meaning neither a declaration of conformity may be issued nor a CE mark affixed.

The current product-specific CE declaration is available for download from the download area on our homepage:
www.suco.de/Downloads.htm



Subject to technical changes.

M • Mechanical Pressure Switches





M

M. Overview of mechanical pressure switches



Technical explanations

for mechanical pressure switches

from page 14

Selection matrix

Help in selecting a suitable pressure switch

from page 18

M.1 Pressure and vacuum switches with integrated connector NC/NO, hex 24

from page 22

- Max. voltage up to 42 V
- Switching points: 0.1 – 150 bar or vacuum
- IP protection up to IP67 (IP6K9K)
- Available connectors:
Deutsch DT04-2P, AMP Superseal 1.5°, Packard MetriPack 280°,
Deutsch DT04-3P, AMP Junior Timer®, Bayonet DIN 72585 A1–2.1,
M12x1 DIN EN 61076-2-D
- Housing materials: zinc-plated steel, stainless steel (CrVI-free) or brass
- Types: 0110, 0111, 0112, 0113, 0114, 0115, 0116, 0117, 0118, 0119, 0120, 0121, 0122, 0123

M.2 Pressure switches with integrated connector Changeover contacts, hex 27

from page 32

- Adjustable hysteresis
- Max. voltage up to 250 V
- Switching points: 0.3 – 200 bar
- IP protection up to IP67 (IP6K9K)
- Available connectors:
TE AMP Superseal 1.5°, M12 x 1 DIN EN 61076-2-101A,
Deutsch DT04-3P, DIN connector EN 175301
- Housing material: zinc-plated steel
- Types: 0132, 0133, 0134, 0135, 0136, 0137, 0184, 0185, 0194, 0195

M.3 Pressure switches NC/NO, hex 24

from page 40

- Max. voltage up to 42 V
- Switching points: 0.1 – 150 bar
- IP protection up to IP65 (IP00 terminals)
- Housing materials: zinc-plated steel, stainless steel or brass
- Types: 0163, 0164, 0166, 0167, 0168, 0169

M.4 Pressure switches Changeover contacts, hex 27

from page 52

- Adjustable hysteresis (apart from 0140 and 0141)
- Max. voltage up to 250 V
- Switching points: 0.3 – 400 bar
- IP protection up to IP65
- Housing materials: zinc-plated steel or stainless steel
- Types: 0140, 0141, 0170, 0171, 0180, 0181, 0183, 0186, 0187, 0190, 0191, 0196, 0197

M.5 Ready-wired pressure switches, cabled and encapsulated individually to customer requirements from page 62

- Numerous cable and connector variants
- IP protection up to IP67 (IP6K9K)
- Housing materials: zinc-plated steel, stainless steel or brass
- Types: 02XX,
special feature: 0240/0241 – switch point adjustable on site even after assembly
- Technical characteristics for hex 24: see chapter M.3
- Technical characteristics for hex 27: see chapter M.4



M.6 "PLUS" – Pressure switches with integrated connector and intelligent supplementary functions, hex 24 from page 66

- Numerous additional safety functions
- LED for visual check of switching status
- Overvoltage protection (varistor)
- Max. voltage dependent on custom function up to 42 V
- Types: 04XX



M.7 Pressure switches Changeover contacts, 30 A/F from page 74

- Square or block style
- Some with adjustable hysteresis
- Max. voltage up to 250 V
- Switching point adjustable 0.1 – 400 bar
- Housing material: aluminium
- Types: 0161, 0162, 0175,
special feature: 0159 with knurled screw for simple adjustment of the switching point



M.8 Pressure switches ATEX versions from page 80

- hex 27 for dust protection zone 22
- 30 A/F for gas protection zones 1 and 2
- Housing material: zinc-plated steel or aluminium
- Types: 0165, 0340, 0341



M.9 Vacuum switches NC/NO or Changeover contacts, hex 24 or 30 A/F from page 86

- Max. voltage up to 250 V
- Overpressure protected up to 35 bar
- Housing material: brass or aluminium
- Types: 0150, 0151

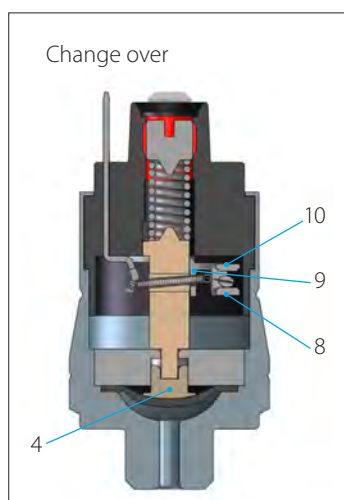
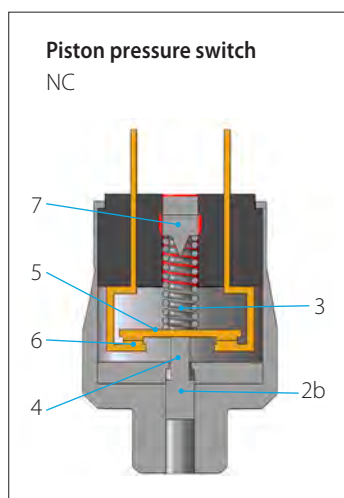
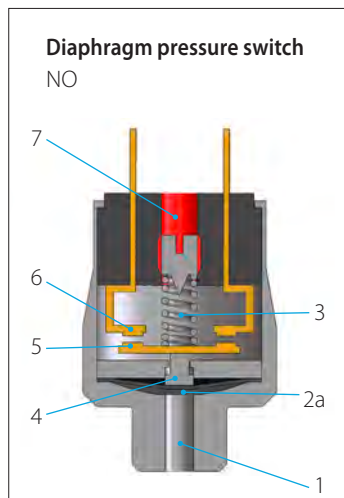


M.10 Accessories for mechanical pressure switches from page 90

- Protective caps
- Socket devices
- Thread adapters
- Plugs with ready-to-use cables
(for pressure switches with integrated connector)



Technical explanations for mechanical pressure switches



What is a mechanical pressure switch?

Mechanical pressure switches from SUCO monitor the pressure of liquid or gaseous media, and close or open an electrical circuit on reaching a set threshold.

Diaphragm pressure switches

SUCO diaphragm pressure switches are used in pressure ranges from 0.1 bar to 100 bar, meaning over pressure safety of 35, 100, 300 and 600 bar, depending on the used diaphragm type.

Piston pressure switches

Pressure ranges from 10 bar to 400 bar can be monitored with SUCO piston pressure switches (dependent on size); an over pressure safety of up to 600 bar can be attained.

Sizes of pressure switches

Mechanical pressure switches from SUCO can be divided into sizes hex 24, hex 27 and 30 A/F. Each particular size has specific hydraulic, pneumatic and electric properties (specified on the relevant catalogue page in the technical details).

How does a pressure switch work?

Function description for normally open (NO):

Pressure is applied to the diaphragm (2a) / pistons (2b) through the pressure connector (1). If the generated pressure force is greater than the pre-tensioned force of the pressure spring (3), the plunger (4) moves towards the counter-contact (6), carrying along the contact disc (5), and closes the circuit. The switch opens again when the pressure is reduced by the hysteresis value.

Function description for normally closed (NC):

Engaging happens in the reverse order.

The adjustment screw (7) enables the switching point to be changed within the adjustment range.

The micro switch of a **change-over contact system (snap-action)** offers both, a NC and a NO contact.

The swivel contact (9) is activated by the plunger (4). The circuit is closed by the NC (8) as long as no pressure is applied. When the applied pressure exceeds the set switching point, the swivel contact changes over and closes the circuit via the NO (10).

Utilisation category

The utilisation category specifies for example voltages and currents, and the type of load, our pressure switches are designed for (to DIN EN 60947-5-1).

AC voltage

AC12: Control of ohmic loads and semiconductor loads in input circuits of optocouplers (such as PLC inputs).

AC14: Control of electromagnetic loads, 72 VA.

DC voltage

DC12: Control of ohmic loads and semiconductor loads in input circuits of optocouplers (such as PLC inputs).

DC13: Control of electromagnets.

Classification of electrical switch functions

			Contact form DIN- EN-60947-5-1	Symbol IEC 60617
NO	NO, normally open	SPST single pole, single throw	X	
NC	NC, normally closed	SPST single pole, single throw	Y	
Change-over contacts	CO, change over (snap action)	SPDT Single pole, double throw	C	

B10d value

The B10d value specifies the anticipated service life (with a 10% probability of failure). The B10d value is therefore directly dependent on the respective application of the pressure switch. For ohmic loads and currents < 1 A, we specify the B10d value as 1 million cycles of electrical life.

The specification of a MTTF time (mean time to failure) is not possible without knowing the specific conditions in the application. However, the MTTF time can be determined easily from the B10d value:

$$MTTF_d = \frac{B_{10d}}{0,1 n_{op}}$$

n_{op} : number of cycles per year

B_{10d} : number of cycles until
10% of components have failed.

Minimum current / minimum working voltage

The minimum working current and minimum working voltage depend greatly on operating and ambient conditions.

Physically, the build-up of impurity layers on the contact rivets must be countered with mechanical friction and/or electrical erosion. It has proven useful in many applications to deploy our pressure switches with silver contact rivets ensuring that they are fail safe to 10 mA and 10 V. Variants with gold contacts are available in our catalogue for even lower currents and voltages.

Potential-free – galvanically isolated

Mechanical pressure switches from SUCO are potential-free, i.e. no auxiliary energy is required. Also, there is no electrical contact between the individual, live parts and the housing.

Adjustment range of switching point

The pressure range, within which the switching point of a pressure switch can be set, is called adjustment range. The switching point corresponds to the pressure value at which the electric circuit is opened or closed by the pressure applied.

Switching point tolerances

The switching point tolerances specified by us pertain to room temperature (RT) and condition as new. The values can change as a result of temperature, ageing and deployment conditions.

It is not possible to specify generally applicable value for switching point tolerances over temperature as the medium has a significant influence on the sealing materials in the pressure switch. Double the tolerance stated

for RT and condition as new can be assumed as a typical magnitude for the tolerance over the entire temperature range.

Based on their design, piston switches may exhibit an increase in switching points due to storage (dry run, stick-slip effect). Following a short start phase, the switching points return to the value set at the factory.

Pressure change rates of >1bar/s may have an effect on the switching point for diaphragm pressure switches. The switching point (for rising pressure) and hysteresis increase, whilst the switch-back point (for falling pressure) sinks. Also, the effect of the maximum (system) pressure on the switch-back point (for falling pressure ramp) must be factored in for tolerance-critical applications. The higher the (system) pressure, the lower the resulting switch-back value.

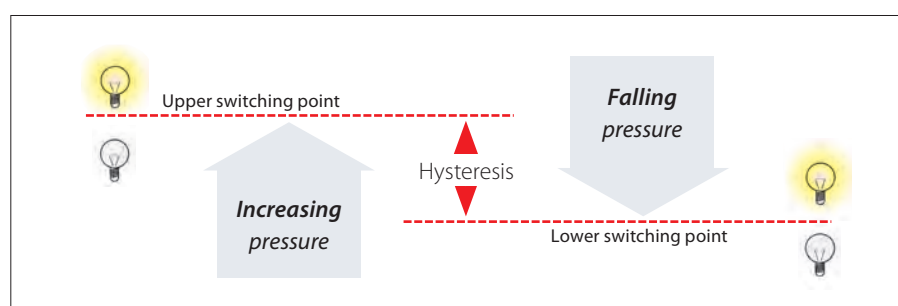
Hysteresis

Rising / falling switching point

The pressure difference between the rising (upper) and falling (lower) switching points (refer to the figure) is known as hysteresis (switch-back difference).

Hysteresis is derived from the structural layout of a mechanical pressure switch. It has no constant value within the adjustment range, and is lowest for the lowest adjustment value. It is greatest at the end of the adjustment range.

Hysteresis can be set at SUCO in range from approx. 10% (at end of adjustment range) to 30% or higher (at start of adjustment range), related to the respective switching point for hex 27 and 30 A/F pressure switches with adjustable hysteresis.



Technical explanations for mechanical pressure switches

The specifications in the catalogue only represent typical average values.

Please ask about the possible setting ranges you may require. Our electronic pressure switches are excellently suited to extremely low or high hysteresis.

The lowest possible hysteresis is set if nothing is specified in the order.

Switching frequency

The switching frequency provides information on the possible number of cycles in one minute. The value of 200/minute specified by us is a guideline value. Higher cycle values can be attained depending on switch type and conditions of use.

Sealing materials

The priority in sealing material selection is the chemical resistance. The temperature range only becomes a selection criterion when different sealing materials are suitable for the medium.

NBR (Buna-N)

This is the standard material most commonly used. It is a special SUCO material mix with high level of cold flexibility so that the sealing properties of the pressure switch are also retained at low temperatures.

NBR is denoted by number "1" in our item number.

EPDM

This material is the solution of choice for applications with brake fluids.

It is particularly suitable for applications with (process) water. Approval from the BAM (Federal Institute for Material Testing) is in place for oxygen applications. The safety regulations from country-specific authorities must be observed for oxygen applications.

EPDM may not come into contact with oil because this would entail swelling and softening of the material, and so failure of the pressure switch.

EPDM is denoted by number "2" in our item number.

EPDM with drinking water approval W270

This EPDM material is intended for drinking water applications and for use in medical and pharmaceutical applications. Approval as per code "DVGW Technical Codes, Worksheet W270" is in place for this.

EPDM may not come into contact with oil because this would entail swelling and softening of the material, and so failure of the pressure switch.

EPDM W270 is denoted by number "5" in our item number.

FKM / FPM (Viton®)

This is a diaphragm material suitable for high temperature exposure and exhibits special chemical resistance. It has been tested in the hydraulic sector and has been proven to work successfully with critical oils.

FKM/FPM is denoted by number "3" in our item number.

ECO (epichlorhydrin)

ECO is only used in our vacuum switches. This material has similar properties to NBR in terms of chemical resistance, and can be used in gas applications as well as oil and fuel applications.

ECO is denoted by number "4" in our item number.

Silicone

Silicone is suitable for use within a wide temperature range. The SUCO silicone diaphragm is FDA-approved (Food & Drug Administration) for the food sector.

Silicone is a soft material reserved for sensitive applications in the low pressure range (below 10 bar) with maximum overpressure safety to 35 bar. Piston switches are therefore not offered with silicone seals. Silicone is also not suitable for oil applications.

Silicone is denoted by number "8" in our item number.

H-NBR

This is a special SUCO material mixture optimised for ester-based bio-oils. The multitude of bio-oils on the market means suitability of the material for the respective oil must be determined. This diaphragm material can also be used for a number of mineral and synthetic oils.

H-NBR is denoted by number "9" in our item number.

Medium compatibility

The specifications on medium compatibility in this catalogue cannot be generalised as they pertain to the sealing materials used in our pressure switches.

Saturated and superheated steam applications

The sealing materials mentioned are not suitable for saturated or superheated steam applications.

Conversion table for pressure units

Unit symbol	Unit name	Pa= N/m ²	bar	rising	lbf/in ² , PSI
1 Pa = N/m ²	Pascal	1	0.00001	0.0075	0.00014
1 bar	Bar	100 000	1	750.062	14.5
1 Torr = 1 mm Hg	Millimetres, mercury column	133.322	0.00133	1	0.01934
1 lbf/in ² = 1 PSI	Pound-force per square inch	6894	0.06894	51.71	1

Conversion table for temperature units

	K	°C	F
K	1	K-273.15	9/5 K-459.67
°C	°C + 273.15	1	9/5 °C + 32
F	5/9 (F+459.67)	5/9 (F-32)	1

Please consult us about gas, water and oxygen applications.

Water applications

Standard piston switches are not suitable for water applications.

This also applies for stainless steel switches with EPDM seals. The use of water with corrosion protection, water mixtures and emulsions needs to be clarified with SUCO.

Gas applications

Our pressure switches are suitable for liquid and gaseous media. Gaseous media place particular demands on leak-tightness however. The leakage rate is dependent on the respective gaseous medium, the working pressure and the permeability of the seal material used in the pressure switch.

Their lower leakage rates mean diaphragm pressure switches are better suited for gas pressures than piston pressure switches. The latter can also be used however if certain measures are taken (such as venting of the housing).

Oxygen applications

Our mechanical pressure switches are suitable for use with oxygen. We recommend the use of our EPDM diaphragm. The resistance to internal burnout of the diaphragm has been tested by the BAM (Federal Institute for Material Testing).

Pressure switches in steel housings with zinc-nickel coating are, in conjunction with oxygen, only approved to a maximum working pressure of 10 bar.

Pressure switches in brass housings are, in conjunction with oxygen, only approved to a maximum working pressure of 35 bar.

Pressure switches in stainless steel housings are, in conjunction with oxygen, only approved to a maximum working pressure of 50 bar.

DGUV accident prevention regulations (such as DGUV 500, Section 2.32 and BGI 617) must be observed for first operation.

Please specify when ordering "oil and grease-free, for use with oxygen".

Underpressure safety of pressure switches

Our pressure switches are underpressure safe down to 300 mbar (relative).

Overpressure safety of vacuum switches

Our vacuum switches are overpressure safe up to 20 or 35 bar depending on type.

cCSAus approval

Almost all of our mechanical pressure switches (sizes hex 24 and hex 27), and vacuum switch 0151, have cCSAus approval. The CSA mark together with "c" and "us" combines the control stamps for introduction onto the Canadian and American markets. The cCSAus certificate also includes the test of the relevant UL standard.

Checked by an official institution and verified with regular company visits by CSA inspectors, this approval guarantees the highest levels of quality and operational reliability for our products.

You can download the current cCSAus certificate from the download area on the homepage:

<http://www.suco.de/Downloads.htm>

Product information

The technical information in this catalogue is based upon fundamental testing during product development, as well as upon empirical values. The information cannot be used for all application scenarios.

Testing of the suitability of our products for a specific application (e.g. also the checking of material compatibilities) rests under the responsibility of the user. It may be the case that suitability can only be guaranteed with appropriate field testing.

Subject to technical changes.

M.1
hex 24
with integrated connector

M.2
hex 27
with integrated connector

		M.1 hex 24 with integrated connector												M.2 hex 27 with integrated connector							
		0110	0111	0112	0113	0114	0115	0116	0117	0118	0119	0120	0121	0122	0123	0132	0133	0134	0135	0136	0137
Page		26	27	26	27	26	27	26	27	26	27	28	29	26	27	34	34	34	34	34	34
Function	Overpressure	■	■	■	■	■	■	■	■	■	■	■	■	■	■	■	■	■	■	■	■
	Vacuum																				
	NO / NC	■	■	■	■	■	■	■	■	■	■	■	■	■	■						
	Changeover contacts															■	■	■	■	■	■
Voltage	max. 42 V	■	■	■	■	■	■	■	■	■	■	■	■	■	■						
	max. 48 V															■	■	■	■	■	■
	max. 250 V																				
	max. 24 V / 50 mA																				
Adjustment range	100 – 950 mbar																				
	200 – 950 mbar																				
	0.1 – 1 bar	■		■		■		■		■		■		■							
	0.2 – 2 bar																				
	0.3 – 1.5 bar															■		■		■	
	0.5 – 1 bar																				
	0.5 – 3 bar	■		■		■		■		■		■		■							
	0.5 – 5 bar																				
	1.0 – 6 bar																				
	1.0 – 10 bar	■		■		■		■		■		■		■		■		■		■	
	2.0 – 20 bar																				
	5.0 – 50 bar																				
	10 – 20 bar	■		■		■		■		■		■		■							
	10 – 50 bar															■		■		■	
	10 – 100 bar															■		■		■	
	20 – 50 bar	■		■		■		■		■		■		■							
	20 – 100 bar																				
	25 – 250 bar																				
	40 – 400 bar																				
	50 – 100 bar																				
50 – 150 bar		■		■		■		■		■		■		■							
50 – 200 bar															■		■		■		
100 – 300 bar																					
100 (200) – 400 bar																					
Over-pressure safety up to	35 bar																				
	100 bar																				
	200 bar																				
	300 bar	■		■		■		■		■		■		■		■		■		■	
	600 bar		■		■		■		■		■		■		■		■		■		■
Size	hex 24	■	■	■	■	■	■	■	■	■	■	■	■	■	■						
	hex 27															■	■	■	■	■	■
	30 A/F																				
Housing material	Zinc-plated steel	■	■	■	■	■	■	■	■	■	■	■	■	■	■	■	■	■	■	■	■
	Stainless steel																				
	Brass																				
	Aluminium																				
Custom variant	ATEX																				
	Configurable																				
	additional functions																				

M.3 hex 24 NO / NC				M.4 hex 27 CO				M.5 hex 27 Configured																		
0184	0185	0194	0195	0163	0164	0166	0167	0168	0169	0140	0141	0170	0171	0180	0181	0183	0186	0187	0190	0191	0196	0197	0240	0241	Page	
36	37	38	39	42	48	44	50	46	47	55	55	56	56	57	57	58	59	59	60	60	61	61	65	65		
■	■	■	■	■	■	■	■	■	■	■	■	■	■	■	■	■	■	■	■	■	■	■	■	■	■	Overpressure
				■	■	■	■	■	■																	Vacuum
				■	■	■	■	■	■																	NO / NC
■	■	■	■							■	■	■	■	■	■	■	■	■	■	■	■	■	■	■	■	Changeover contacts
				■	■	■	■	■	■			■	■													max. 42 V
																										max. 48 V
■	■									■	■			■	■	■	■	■								max. 250 V
		■	■																	■	■	■	■			max. 24 V / 50 mA
																										100 – 950 mbar
				■	■	■	■	■	■																	200 – 950 mbar
																										0.1 – 1 bar
																										0.2 – 2 bar
■		■								■		■		■					■					■		0.3 – 1.5 bar
				■	■	■	■	■	■																	0.5 – 1 bar
				■	■	■	■	■	■																	0.5 – 3 bar
																	■				■					0.5 – 5 bar
																										1.0 – 6 bar
■		■		■	■	■	■	■	■	■		■		■			■		■		■		■	■	■	1.0 – 10 bar
																										2.0 – 20 bar
				■	■	■	■	■	■	■																5.0 – 50 bar
■		■		■	■	■	■	■	■	■															■	10 – 20 bar
■		■										■		■			■		■	■	■	■				10 – 50 bar
■		■										■		■			■		■	■	■	■				10 – 100 bar
				■	■	■		■	■	■														■		20 – 50 bar
																										20 – 100 bar
																										25 – 250 bar
																										40 – 400 bar
																										50 – 100 bar
									■															■		50 – 150 bar
	■		■										■						■		■		■			50 – 200 bar
																■										100 – 300 bar
																■										100 (200) – 400 bar
							■																			35 bar
■		■										■		■					■		■					100 bar
																										200 bar
■		■				■		■	■	■		■		■		■	■	■	■	■	■	■	■	■	■	300 bar
	■		■	■	■	■	■	■	■	■	■	■	■	■	■	■	■	■	■	■	■	■	■	■	■	600 bar
				■	■	■	■	■	■	■	■	■	■	■	■	■	■	■	■	■	■	■	■	■	■	hex 24
■	■	■	■							■	■	■	■	■	■	■	■	■	■	■	■	■	■	■	■	hex 27
																										30 A/F
■	■	■	■	■		■		■	■	■	■	■	■	■	■	■			■	■						Zinc-plated steel
					■												■	■			■	■				Stainless steel
							■																			Brass
																										Aluminium
				■	■	■	■	■	■	■	■	■	■	■	■	■	■	■	■	■	■	■	■	■	■	ATEX
				■	■	■	■	■	■	■	■	■	■	■	■	■	■	■	■	■	■	■	■	■	■	Configurable
																										additional functions

M.6 PLUS pressure switches hex 24 with intelligent additional funktions												M.7 30 A/F CO				M.8 ATEX Variant			M.9 Vacuum Switch		Page								
0410	0411	0412	0413	0414	0415	0416	0417	0418	0419	0424	0425	0159	0161	0162	0175	0165	0340	0341	0150	0151									
70	72	70	72	70	72	70	72	70	72	70	72	76	77	77	78	83	84	84	88	89									
■	■	■	■	■	■	■	■	■	■	■	■	■	■	■	■	■	■	■	■	■			Overpressure						Function
																			■	■			Vacuum						
■	■	■	■	■	■	■	■	■	■	■	■									■			NO / NC						
												■	■	■	■	■	■	■	■	■			Changeover contacts						
■	■	■	■	■	■	■	■	■	■	■	■									■			max. 42 V						Voltage
																							max. 48 V						
												■	■	■	■	■	■	■	■	■			max. 250 V						
																							max. 24 V / 50 mA						
																			■				100 – 950 mbar						Adjustment range
																				■			200 – 950 mbar						
■		■		■		■		■		■					■			■					0.1 – 1 bar						
												■											0.2 – 2 bar						
																							0.3 – 1.5 bar						
													■	■									0.5 – 1 bar						
																							0.5 – 3 bar						
												■	■	■									0.5 – 5 bar						
																■							1.0 – 6 bar						
■		■		■		■		■		■		■	■	■			■						1.0 – 10 bar						
												■											2.0 – 20 bar						
												■					■						5.0 – 50 bar						
■		■		■		■		■		■			■	■			■						10 – 20 bar						
													■	■									10 – 50 bar						
												■											10 – 100 bar						
■		■		■		■		■		■							■						20 – 50 bar						
																							20 – 100 bar						
												■					■						25 – 250 bar						
												■											40 – 400 bar						
													■	■									50 – 100 bar						
	■		■		■		■		■		■									■			50 – 150 bar						
																							50 – 200 bar						
																							100 – 300 bar						
													■	■			■						100 (200) – 400 bar						
															■				(■)	■			(20 bar) 35 bar						Overpressure safety up to
												■	■	■		■							100 bar						
												■	■	■			■						200 bar						
■		■		■		■		■		■							■						300 bar						
	■		■		■		■		■		■	■	■	■									600 bar						
■	■	■	■	■	■	■	■	■	■	■	■									■			hex 24			■			Size
												■	■	■	■	■							hex 27						
												■	■	■	■	■							30 A/F						
■	■	■	■	■	■	■	■	■	■	■	■						■	■					Zinc-plated steel						
																							Stainless steel						
																				■			Brass						
												■	■	■	■	■							Aluminium			■			
																■	■	■					ATEX						Custom variant
																	■	■		■			Configurable			■			
■	■	■	■	■	■	■	■	■	■	■	■												additional functions						

M.1

hex 24 integrated

Pressure switches hex 24 with integrated connector

NC or NO, maximum operating voltage up to 42 V

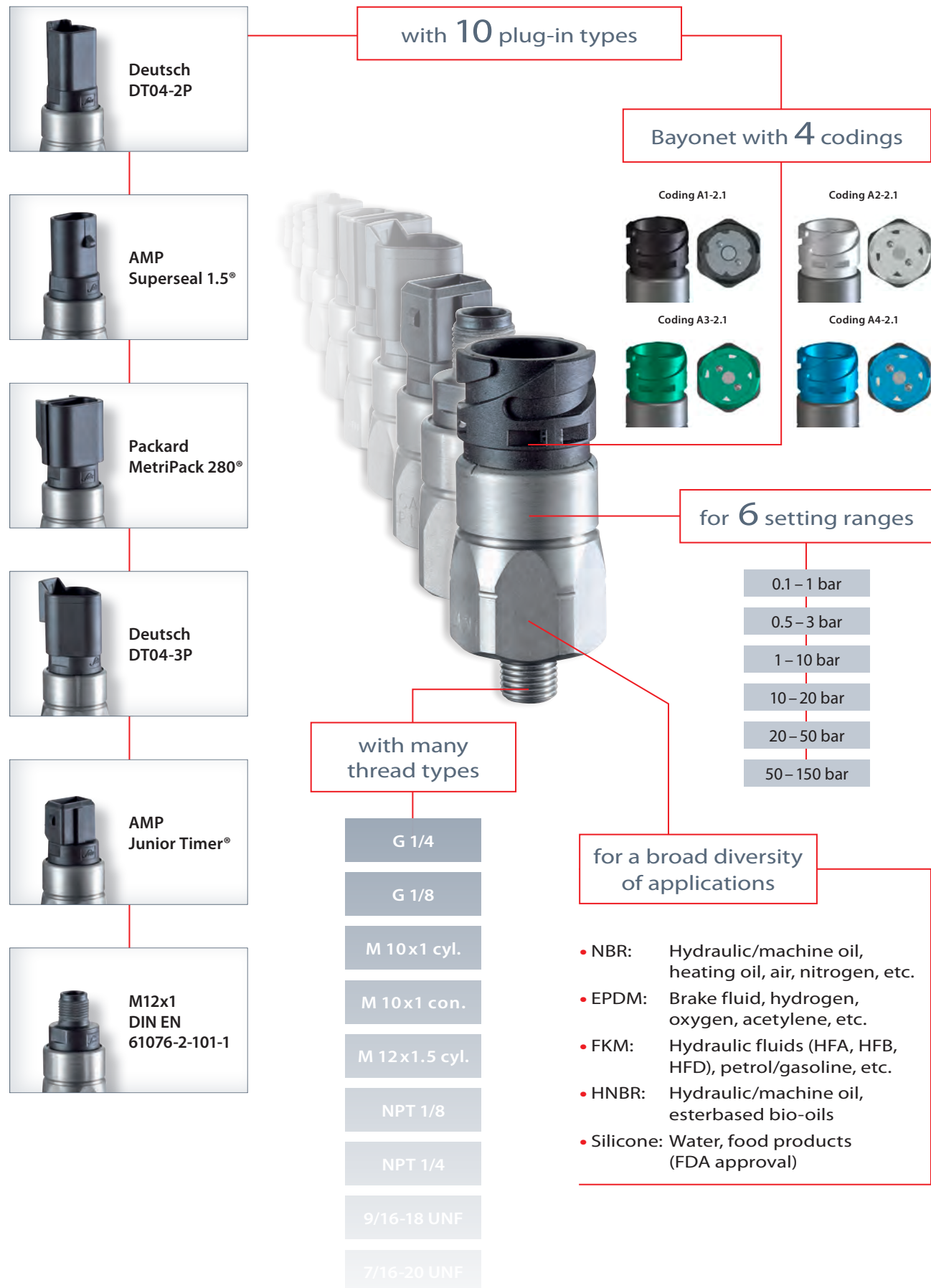


- Large selection of electrical plug-in types for quick attachment and reliable connection
- High protection class (to IP67 or IP6K9K)
- Compact and rugged design in industrial environments like construction and agricultural machinery or commercial vehicles
- Switching point can be set on site with adjusting screw in the connector¹⁾
- High overpressure resistance, compact, small switches, available as normally open or normally closed

¹⁾ Pressure switches can also be supplied preset at factory. The switching point is embossed onto pressure switches preset at factory.

The all-rounder with the broad selection of options

NC or NO, maximum operating voltage up to 42 V



M.1

hex 24 integrated

Pressure switches hex 24 with integrated connector

Technical data



0110/0111

Deutsch DT04-2P
IP67, IP6K9K



0112/0113

AMP Superseal 1.5°
IP67



0114/0115

Packard MetriPack 280°
IP67



0116/0117

Deutsch DT04-3P
IP67, IP6K9K



0118/0119

AMP Junior Timer®
IP65, IPx4K



0120/0121

Bayonet DIN 72585
IP67, IP6K9K



0122/0123

M12x1 DIN EN 61076-2-101-1
IP67

Rated working voltage:	10 ... 42 VAC/DC	
Rated current range (resistive load, 12 DC and 12 AC):	10 mA ... 4 A	
Switching power DC12 / AC12:	100 W / 100 VA	
Temperature resistance of sealing materials:	NBR	-40 °C ... +100 °C
	EPDM	-30 °C ... +120 °C
	FKM (in diaphragm pressure switch)	-5 °C ... +120 °C
	FKM (in piston pressure switch)	-15 °C ... +120 °C
	Silicone	-40 °C ... +120 °C
HNBR	-30 °C ... +120 °C	
Switching frequency:	200 / min.	
Mechanical life expectancy:	1,000,000 cycles (for diaphragm pressure switches, life expectancy value only applies for switching pressures to max. 50 bar)	
Pressure rise rate:	≤ 1 bar/ms	
Hysteresis:	Average value 5...30 % depending on type, not adjustable	
Vibration resistance:	10 g; 5...200 Hz sine wave, DIN EN 60068-2-6	
Shock resistance:	294 m/s ² ; 14 ms half sine wave; DIN EN 60068-2-27	
Protection class:	Up to IP67 / IP6K9K according to the manufacturer's specifications for the respective plug-in system only when plugged in, otherwise IP00	
Weight:	approx. 90 g	

Contact assignment for bayonet connectors

Coding A1-2.1	Coding A2-2.1	Coding A3-2.1	Coding A4-2.1

0110/0112/0114/0116/0118/0122

Diaphragm pressure switches with integrated connector

- Setting ranges to up to 50 bar (higher settings refer to page 26)
- NC or NO, maximum voltage 42 V
- Zinc-plated steel (Cr VI-free)
- Overpressure safety up to 300 bar¹⁾

Plug-in types for diaphragm pressure switches

Deutsch DT04-2P	0110 - XXX XX - X - XXX	0110 - XXX XX - X - XXX
AMP Superseal 1.5°	0112 - XXX XX - X - XXX	0112 - XXX XX - X - XXX
Packard MetriPack 280°	0114 - XXX XX - X - XXX	0114 - XXX XX - X - XXX
Deutsch DT04-3P	0116 - XXX XX - X - XXX	0116 - XXX XX - X - XXX
AMP Junior Timer°	0118 - XXX XX - X - XXX	0118 - XXX XX - X - XXX
M12x1 DIN EN 61076-2-D	0122 - XXX XX - X - XXX	0122 - XXX XX - X - XXX

Adjustment range tolerance at room temperature	Male thread	Order number NO → :	Order number NC → :
---	----------------	-------------------------	-------------------------

Diaphragm pressure switches with integrated connector

0.1 - 1 (±0.2) bar	G 1/4	XXXX - 403 03 - X - 011	XXXX - 404 03 - X - 015
	G 1/8	XXXX - 403 28 - X - 603	XXXX - 404 28 - X - 604
	M 10x1 cyl.	XXXX - 403 13 - X - 003	XXXX - 404 13 - X - 004
	M 10x1 con.	XXXX - 403 01 - X - 009	XXXX - 404 01 - X - 013
	M 12x1.5 cyl.	XXXX - 403 02 - X - 010	XXXX - 404 02 - X - 014
	NPT 1/8	XXXX - 403 04 - X - 012	XXXX - 404 04 - X - 016
0.5 - 3 (±0.3) bar	G 1/4	XXXX - 423 03 - X - 070	XXXX - 424 03 - X - 070
	G 1/8	XXXX - 423 28 - X - 070	XXXX - 424 28 - X - 070
	M 10x1 cyl.	XXXX - 423 13 - X - 070	XXXX - 424 13 - X - 070
	M 10x1 con.	XXXX - 423 01 - X - 070	XXXX - 424 01 - X - 070
	M 12x1.5 cyl.	XXXX - 423 02 - X - 070	XXXX - 424 02 - X - 070
	NPT 1/8	XXXX - 423 04 - X - 070	XXXX - 424 04 - X - 070
1 - 10 (±0.5) bar	G 1/4	XXXX - 407 03 - X - 027	XXXX - 408 03 - X - 031
	G 1/8	XXXX - 407 28 - X - 607	XXXX - 408 28 - X - 608
	M 10x1 cyl.	XXXX - 407 13 - X - 007	XXXX - 408 13 - X - 008
	M 10x1 con.	XXXX - 407 01 - X - 025	XXXX - 408 01 - X - 029
	M 12x1.5 cyl.	XXXX - 407 02 - X - 026	XXXX - 408 02 - X - 030
	NPT 1/8	XXXX - 407 04 - X - 028	XXXX - 408 04 - X - 032

Seal material - Application areas

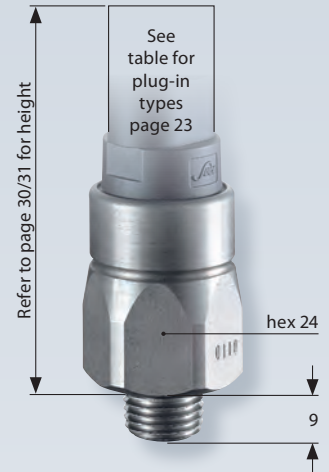
NBR	Hydraulic/machine oil, heating oil, air, nitrogen, etc.	1
EPDM	Brake fluid, hydrogen, oxygen, acetylene, etc.	2
FKM	Hydraulic fluids (HFA, HFB, HFD), petrol/gasoline, etc.	3
HNBR	Hydraulic/machine oil, ester-based bio-oils	9

Refer to page 24 for the temperature range and application thresholds of sealing materials.

Your order number: 01XX - XXX XX - X - XXX

M.1

hex 24 integrated



¹⁾ Static value. Dynamic value is 30-50% lower. Values pertain to the hydraulic/pneumatic part of the pressure switch.

M.1

hex 24 integrated

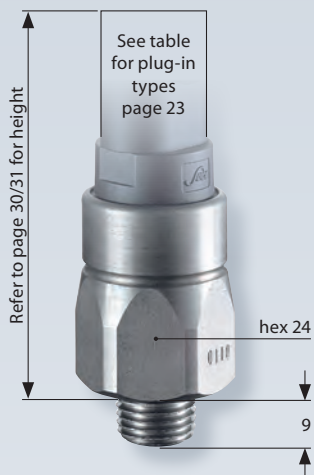
0110/0112/0114/0116/0118/0122

Diaphragm pressure switches with integrated connector

- Setting ranges up to 50 bar (lower settings refer to page 25)
- NC or NO, maximum operating voltage up to 42 V
- Zinc-plated steel (Cr VI-free)
- Overpressure safety up to 300 bar¹⁾

Plug-in types for diaphragm pressure switches

Deutsch DT04-2P	0110 - XXX XX - X - XXX	0110 - XXX XX - X - XXX
AMP Superseal 1.5®	0112 - XXX XX - X - XXX	0112 - XXX XX - X - XXX
Packard MetriPack 280®	0114 - XXX XX - X - XXX	0114 - XXX XX - X - XXX
Deutsch DT04-3P (A+B)	0116 - XXX XX - X - XXX	0116 - XXX XX - X - XXX
AMP Junior Timer®	0118 - XXX XX - X - XXX	0118 - XXX XX - X - XXX
M12x1 DIN EN 61076-2-D (1 + 3)	0122 - XXX XX - X - XXX	0122 - XXX XX - X - XXX



Adjustment range tolerance at room temperature	Male thread	Order number NO → ;	Order number NC → :
--	--------------------	--------------------------------	-------------------------------

Diaphragm pressure switches with integrated connector

10-20 (±1) bar	G 1/4	XXXX - 411 03 - X - 043	XXXX - 412 03 - X - 047
	G 1/8	XXXX - 411 28 - X - 611	XXXX - 412 28 - X - 612
	M 10x1 cyl.	XXXX - 411 13 - X - 011	XXXX - 412 13 - X - 012
	M 10x1 con.	XXXX - 411 01 - X - 041	XXXX - 412 01 - X - 045
	M 12x1.5 cyl.	XXXX - 411 02 - X - 042	XXXX - 412 02 - X - 046
	NPT 1/8	XXXX - 411 04 - X - 044	XXXX - 412 04 - X - 048
20-50 (±2) bar	G 1/4	XXXX - 415 03 - X - 059	XXXX - 416 03 - X - 063
	G 1/8	XXXX - 415 28 - X - 615	XXXX - 416 28 - X - 616
	M 10x1 cyl.	XXXX - 415 13 - X - 015	XXXX - 416 13 - X - 016
	M 10x1 con.	XXXX - 415 01 - X - 057	XXXX - 416 01 - X - 061
	M 12x1.5 cyl.	XXXX - 415 02 - X - 058	XXXX - 416 02 - X - 062
	NPT 1/8	XXXX - 415 04 - X - 060	XXXX - 416 04 - X - 064

Seal material – Application areas

NBR	Hydraulic/machine oil, heating oil, air, nitrogen, etc.	1
EPDM	Brake fluid, hydrogen, oxygen, acetylene, etc.	2
FKM	Hydraulic fluids (HFA, HFB, HFD), petrol/gasoline, etc.	3
HNBR	Hydraulic/machine oil, ester-based bio-oils	9

Refer to page 24 for the temperature range and application thresholds of sealing materials.



Your order number: 01XX - XXX XX - X - XXX



¹⁾ Static value. Dynamic value is 30-50 % lower. Values pertain to the hydraulic/pneumatic part of the pressure switch.

0111 / 0113 / 0115 / 0117 / 0119 / 0123

Piston pressure switches with integrated connector

- Setting range up to 150 bar
- NC or NO, maximum operating voltage up to 42 V
- Zinc-plated steel (Cr VI-free)
- Overpressure safety up to 600 bar¹⁾

Plug-in types for piston pressure switches

Deutsch DT04-2P	0111 - XXX XX - X - XXX	0111 - XXX XX - X - XXX
AMP Superseal 1.5°	0113 - XXX XX - X - XXX	0113 - XXX XX - X - XXX
Packard MetriPack 280°	0115 - XXX XX - X - XXX	0115 - XXX XX - X - XXX
Deutsch DT04-3P (A+B)	0117 - XXX XX - X - XXX	0117 - XXX XX - X - XXX
AMP Junior Timer°	0119 - XXX XX - X - XXX	0119 - XXX XX - X - XXX
M12x1 DIN EN 61076-2-D (1 + 3)	0123 - XXX XX - X - XXX	0123 - XXX XX - X - XXX

Adjustment range tolerance at room temperature	Male thread	Order number NO → :	Order number NC → :
---	----------------	-------------------------	------------------------

Piston pressure switches with integrated connector

50 – 150 (±5) bar	G 1/4	XXXX - 419 03 - X - 011	XXXX - 420 03 - X - 015
	G 1/8	XXXX - 419 28 - X - 603	XXXX - 420 28 - X - 604
	M 10x1 cyl.	XXXX - 419 13 - X - 003	XXXX - 420 13 - X - 004
	M 10x1 con.	XXXX - 419 01 - X - 009	XXXX - 420 01 - X - 013
	M 12x1.5 cyl.	XXXX - 419 02 - X - 010	XXXX - 420 02 - X - 014
	NPT 1/8	XXXX - 419 04 - X - 012	XXXX - 420 04 - X - 016

Seal material – Application areas

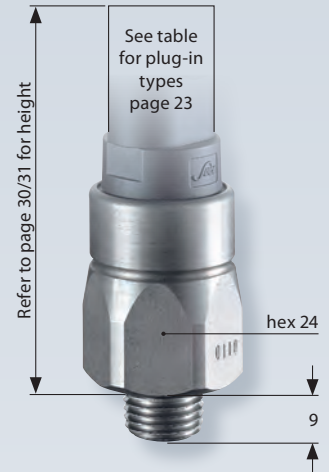
NBR	Hydraulic/machine oil, heating oil, air, nitrogen, etc.	1
EPDM	Brake fluid, hydrogen, oxygen, acetylene, etc.	2
FKM	Hydraulic fluids (HFA, HFB, HFD), petrol/gasoline, etc.	3
HNBR	Hydraulic/machine oil, ester-based bio-oils	9

Refer to page 24 for the temperature range and application thresholds of sealing materials.

Your order number: 01XX - XXX XX - X - XXX

M.1

hex 24 integrated



M

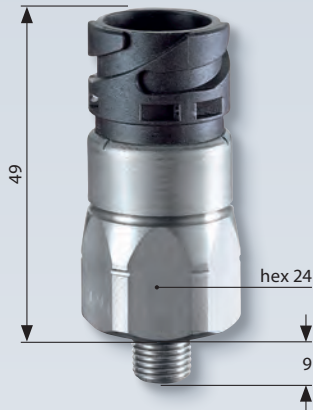
¹⁾ Static value. Dynamic value is 30-50 % lower. Values pertain to the hydraulic/pneumatic part of the pressure switch.



M.1

hex 24 integrated

Bayonet ISO 15170
(DIN 72585)



0120

Diaphragm pressure switches with integrated bayonet connector

- NC or NO, maximum operating voltage up to 42 V
- Zinc-plated steel (Cr VI-free)
- Overpressure safety up to 300 bar¹⁾

Adjustment range tolerance at room temperature	Male thread	Order number NO → :	Order number NC → :
---	----------------	-------------------------	------------------------

0120 Diaphragm pressure switches with integrated connector

Adjustment range	Male thread	Order number (NO)	Order number (NC)
0.1 – 1 (±0.2) bar	G 1/4	0120 – X03 03 – X – 011	0120 – X04 03 – X – 015
	G 1/8	0120 – X03 28 – X – 603	0120 – X04 28 – X – 604
	M 10x1 cyl.	0120 – X03 13 – X – 003	0120 – X04 13 – X – 004
	M 10x1 con.	0120 – X03 01 – X – 009	0120 – X04 01 – X – 013
	M 12x1.5 cyl.	0120 – X03 02 – X – 010	0120 – X04 02 – X – 014
	NPT 1/8	0120 – X03 04 – X – 012	0120 – X04 04 – X – 016
0.5 – 3 (±0.3) bar	G 1/4	0120 – X23 03 – X – 070	0120 – X24 03 – X – 070
	G 1/8	0120 – X23 28 – X – 070	0120 – X24 28 – X – 070
	M 10x1 cyl.	0120 – X23 13 – X – 070	0120 – X24 13 – X – 070
	M 10x1 con.	0120 – X23 01 – X – 070	0120 – X24 01 – X – 070
	M 12x1.5 cyl.	0120 – X23 02 – X – 070	0120 – X24 02 – X – 070
	NPT 1/8	0120 – X23 04 – X – 070	0120 – X24 04 – X – 070
1 – 10 (±0.5) bar	G 1/4	0120 – X07 03 – X – 027	0120 – X08 03 – X – 031
	G 1/8	0120 – X07 28 – X – 607	0120 – X08 28 – X – 608
	M 10x1 cyl.	0120 – X07 13 – X – 007	0120 – X08 13 – X – 008
	M 10x1 con.	0120 – X07 01 – X – 025	0120 – X08 01 – X – 029
	M 12x1.5 cyl.	0120 – X07 02 – X – 026	0120 – X08 02 – X – 030
	NPT 1/8	0120 – X07 04 – X – 028	0120 – X08 04 – X – 032

Coding

A1-2.1	4XX	4XX
A2-2.1	3XX	3XX
A3-2.1	2XX	2XX
A4-2.1	1XX	1XX

Seal material – Application areas

NBR	Hydraulic/machine oil, heating oil, air, nitrogen, etc.	1
EPDM	Brake fluid, hydrogen, oxygen, acetylene, etc.	2
FKM	Hydraulic fluids (HFA, HFB, HFD), petrol/gasoline, etc.	3
HNBR	Hydraulic/machine oil, ester-based bio-oils	9

Refer to page 24 for the temperature range and application thresholds of sealing materials.

Your order number:

0120 – XXX XX – X – XXX

¹⁾ Static value. Dynamic value is 30-50 % lower. Values pertain to the hydraulic/pneumatic part of the pressure switch.

0120/0121

Diaphragm/piston pressure switches with integrated bayonet

- NC or NO, maximum operating voltage up to 42 V
- Zinc-plated steel (Cr VI-free)
- Overpressure safety up to 300 bar¹⁾ for diaphragm variant
Overpressure safety up to 600 bar¹⁾ for piston variant

Adjustment range tolerance at room temperature	Male thread	Order number NO → :	Order number NC → :
---	----------------	--------------------------------	-------------------------------

0120 Diaphragm pressure switches with integrated connector

10–20 (±1) bar	G 1/4	0120 – X11 03 – X – 043	0120 – X12 03 – X – 047
	G 1/8	0120 – X11 28 – X – 611	0120 – X12 28 – X – 612
	M 10x1 cyl.	0120 – X11 13 – X – 011	0120 – X12 13 – X – 012
	M 10x1 con.	0120 – X11 01 – X – 041	0120 – X12 01 – X – 045
	M 12x1.5 cyl.	0120 – X11 02 – X – 042	0120 – X12 02 – X – 046
	NPT 1/8	0120 – X11 04 – X – 044	0120 – X12 04 – X – 048
20–50 (±2) bar	G 1/4	0120 – X15 03 – X – 059	0120 – X16 03 – X – 063
	G 1/8	0120 – X15 28 – X – 615	0120 – X16 28 – X – 616
	M 10x1 cyl.	0120 – X15 13 – X – 015	0120 – X16 13 – X – 016
	M 10x1 con.	0120 – X15 01 – X – 057	0120 – X16 01 – X – 061
	M 12x1.5 cyl.	0120 – X15 02 – X – 058	0120 – X16 02 – X – 062
	NPT 1/8	0120 – X15 04 – X – 060	0120 – X16 04 – X – 064

0121 Piston pressure switches with integrated connector

50–150 (±5) bar	G 1/4	0121 – X19 03 – X – 011	0121 – X20 03 – X – 015
	G 1/8	0121 – X19 28 – X – 603	0121 – X20 28 – X – 604
	M 10x1 cyl.	0121 – X19 13 – X – 003	0121 – X20 13 – X – 004
	M 10x1 con.	0121 – X19 01 – X – 009	0121 – X20 01 – X – 013
	M 12x1.5 cyl.	0121 – X19 02 – X – 010	0121 – X20 02 – X – 014
	NPT 1/8	0121 – X19 04 – X – 012	0121 – X20 04 – X – 016

Coding

A1-2.1	4XX	4XX
A2-2.1	3XX	3XX
A3-2.1	2XX	2XX
A4-2.1	1XX	1XX

Seal material – Application areas

NBR	Hydraulic/machine oil, heating oil, air, nitrogen, etc.	1
EPDM	Brake fluid, hydrogen, oxygen, acetylene, etc.	2
FKM	Hydraulic fluids (HFA, HFB, HFD), petrol/gasoline, etc.	3
HNBR	Hydraulic/machine oil, ester-based bio-oils	9

Refer to page 24 for the temperature range and application thresholds of sealing materials.

Your order number: 012X – XXX XX – X – XXX

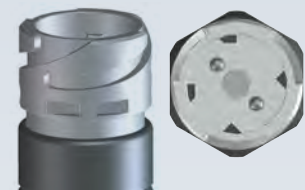
M.1

hex 24 integrated

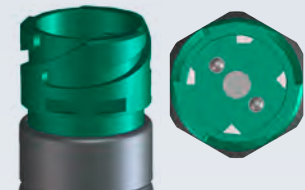
Coding A1-2.1



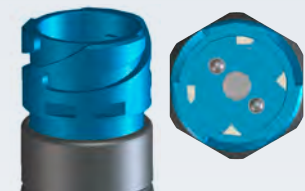
Coding A2-2.1



Coding A3-2.1



Coding A4-2.1





¹⁾ Static value. Dynamic value is 30-50% lower. Values pertain to the hydraulic/pneumatic part of the pressure switch.

Technical details, contact assignment and accessories for hex 24 pressure switches with integrated connector



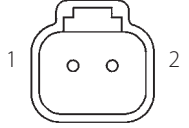
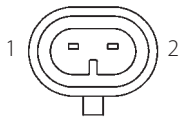
Please note:

Mating plugs are not included in the delivery and can be ordered separately.

Mating plug accessories

	Deutsch DT06-2S (für DT04-2P)	AMP- Superseal 1.5®
Mating plug type ▶		
Including 2 m cable ▶		
Cable cross-section ▶	2 x 0.5 mm ² Radox cables	2 x 0.5 mm ² Radox cables
Protection class ▶	IP65	IP65
Order number ▶	1-1-10-653-118	1-1-12-653-113

Plug-in types for hex 24 diaphragm and piston pressure switches

	0110 / 0111	0112 / 0113
Model / type ▶		
		
Connector ▶	Deutsch DT04-2P	AMP Superseal 1.5®
Protection class ▶	IP67, IP6K9K	IP67
Overall height ▶	H ≈ 61 mm	H ≈ 61 mm
Contact assignment ▶		

Packard MetriPack 280®	Deutsch DT06-3S (für DT04-3P)	AMP Junior Timer®	Bayonet DIN 72585 / ISO 15170 A1-2.1	M12x1 DIN EN 61076-2-101-LF
2 x 0.5 mm ² Radox cables	2 x 0.5 mm ² PUR-cables	2 x 0.5 mm ² Radox cables	2 x 0.5 mm ² Radox cables	4 x 0.34 mm ² PUR-cables
IP65	IP67	IP65	IP65	IP67
1-1-14-653-114	1-1-36-653-160	1-1-18-653-116	1-1-20-653-112	1-1-00-653-162

0114 / 0115	0116 / 0117	0118 / 0117	0120 / 0121	0122 / 0123
Packard MetriPack 280®	Deutsch DT04-3P	AMP Junior Timer®	Bayonet DIN 72585/ISO 15170	M12x1 DIN EN 61076-2-101-1
IP67	IP67, IP6K9K	IP65, IPx4K	IP67, IP6K9K	IP67
H ≈ 62 mm	H ≈ 63 mm	H ≈ 54 mm	H ≈ 49 mm	H ≈ 51 mm
			 Coding: A1-2.1	 3 (blue) 1 (brown)

Pressure switches hex 27 with integrated connector

Changeover switch with silver or gold contacts



- Large selection of electrical plug-in types for quick attachment and reliable connection
- Hysteresis adjustable at factory
- High protection class (up to IP67 or IP6K9K)
- Compact and rugged design in industrial environments like construction and agricultural machinery or commercial vehicles
- Switching point can be set on site with adjusting screw ¹⁾
- Very high overpressure safety
- The corresponding mating plugs are available as accessories (please refer to page 34)

¹⁾ Pressure switches can also be supplied preset at factory.
The switching point is embossed onto pressure switches preset at factory.

Technical data

Types:	0132 – 0137	0184 / 0185	0194 / 0195
Rated working voltage:	10 ... 48 VAC/DC	10 ... 250 VAC/DC	5 ... 24 VDC
Rated current: (resistive load, 12 DC and 12 AC)	10 mA ... 4 A	10 mA ... 4A	3 ... 50 mA
Temperature resistance of sealing materials:	NBR (Overpressure safety up to 100 bar)	-30 °C ... +100 °C	
	NBR (Overpressure safety up to 300 bar)	-40 °C ... +100 °C	
	EPDM	-30 °C ... +120 °C	
	FKM (in diaphragm pressure switch)	-5 °C ... +120 °C	
	FKM (in piston pressure switch)	-15 °C ... +120 °C	
	Silicone	-40 °C ... +120 °C	
	HNBR	-30 °C ... +120 °C	
Switching frequency:	200 / min.		
Mechanical life expectancy:	1,000,000 cycles (for diaphragm pressure switches, life expectancy value only applies for switching pressures to max. 50 bar)		
Pressure rise rate:	≤ 1 bar/ms		
Hysteresis: (can only be set at factory)	Adjustable average value 10 ... 30 % depending on type		
Vibration resistance:	10 g; 5 ... 200 Hz sine wave; DIN EN 60068-2-6		
Shock resistance:	294 m/s ² ; 14 ms half sine wave; DIN EN 60068-2-27		
Weight:	approx. 100 g	approx. 130 g	approx. 130 g

Overview of maximum working voltage and current and contact materials

Type	0132	0133	0134	0135	0136	0137	0184	0185	0194	0195
5 ... 24 VDC									●	●
10 ... 48 VAC/DC	●	●	●	●	●	●				
10 ... 250 VAC/DC							●	●		
3 ... 50 mA									●	●
10 mA ... 4 A	●	●	●	●	●	●	●	●		
Gold contacts	○	○	○	○	○	○			●	●
Silver contacts	●	●	●	●	●	●	●	●		
Adjustable hysteresis (can only be set at factory)	●	●	●	●	●	●	●	●	●	●
Connector type	AMP Superseal 1.5®		M12x1 DIN EN 61076-2-101-1		Deutsch DT04-3P		DIN EN 175301			
Protection class	IP67		IP67		IP67, IP6K9K		IP65			

○ Available as an option

M.2

hex 27 integrated

0132 / 0133 / 0134 / 0135 / 0136 / 0137

Diaphragm/piston pressure switches with integrated connector, maximum operating voltage up to 48 V

- Simple, quick and reliable electrical connection with easy-to-fit connectors
- Quick fitting with socket wrench (spanner)
- Changeover with silver contacts (gold contacts available as option)
- Hysteresis adjustable at factory
- Made of zinc-plated steel (CrVI-free, other housing materials available as option)

Model / type ▶

Height without thread ▶

Contact assignments ▶

¹⁾Blade of screwdriver max. 2 mm

Circuit diagrams ▶

Accessory ▶

Not included in the delivery.
Please order separately.

Cable cross-section / IP protection ▶

Order number ▶

0132 / 0133	0134 / 0135	0136 / 0137
TE AMP Superseal 1.5° IP67	M12x1 DIN EN 61076-2-101A Contact assignment DIN 60947-5-2 IP67	Deutsch DT04-3P° IP67, IP6K9K
L ~ 73 mm	L ~ 65 mm	L ~ 71 mm

Mating plug with 2 m cable

TE AMP Superseal 1.5°	M12x1 DIN EN 61076-2-101A	Deutsch DT06-3S°
3 x 0.5 mm ² Radox cable / IP65	4 x 0.34 mm ² PUR cable / IP67	3 x 0.5 mm ² PUR cable / IP67
1-1-32-653-158	1-1-00-653-162	1-1-36-653-160

M.2

hex 27 integrated



p _{max.} in bar	Adjustment range in bar	Tolerance in bar at room temperature	Thread	Order number
-----------------------------	----------------------------	---	--------	--------------

0132 / 0134 / 0136 Diaphragm pressure switches

100 ¹⁾	0.3 – 1.5	± 0.2	G 1/4	013X – 457 03 – X – 003	
			M 10x1 con.	013X – 457 01 – X – 001	
			M 12x1.5 cyl.	013X – 457 02 – X – 002	
			NPT 1/8	013X – 457 04 – X – 318	
			NPT 1/4	013X – 457 09 – X – 314	
			7/16-20 UNF	013X – 457 20 – X – 301	
			9/16-18 UNF	013X – 457 21 – X – 302	
300 ¹⁾	1 – 10	± 0.5	G 1/4	013X – 458 03 – X – 042	
			M 10x1 con.	013X – 458 01 – X – 040	
			M 12x1.5 cyl.	013X – 458 02 – X – 041	
			NPT 1/8	013X – 458 04 – X – 343	
			NPT 1/4	013X – 458 09 – X – 340	
			7/16-20 UNF	013X – 458 20 – X – 341	
				9/16-18 UNF	013X – 458 21 – X – 342
	10 – 50	± 3.0	G 1/4	013X – 459 03 – X – 009	
			M 10x1 con.	013X – 459 01 – X – 007	
			M 12x1.5 cyl.	013X – 459 02 – X – 008	
			NPT 1/8	013X – 459 04 – X – 320	
			NPT 1/4	013X – 459 09 – X – 316	
			7/16-20 UNF	013X – 459 20 – X – 305	
				9/16-18 UNF	013X – 459 21 – X – 306
	10 – 100	± 3.0 – 5.0	G 1/4	013X – 461 03 – X – 012	
			M 10x1 con.	013X – 461 01 – X – 010	
			M 12x1.5 cyl.	013X – 461 02 – X – 011	
			NPT 1/8	013X – 461 04 – X – 321	
NPT 1/4			013X – 461 09 – X – 317		
7/16-20 UNF			013X – 461 20 – X – 307		
			9/16-18 UNF	013X – 461 21 – X – 308	

0133 / 0135 / 0137 Piston pressure switches

600 ¹⁾	50 – 200	± 5.0	G 1/4	013X – 460 03 – X – 003
			M 10x1 con.	013X – 460 01 – X – 001
			M 12x1.5 cyl.	013X – 460 02 – X – 002
			NPT 1/8	013X – 460 04 – X – 304
			NPT 1/4	013X – 460 09 – X – 303
			7/16-20 UNF	013X – 460 20 – X – 301
			9/16-18 UNF	013X – 460 21 – X – 302

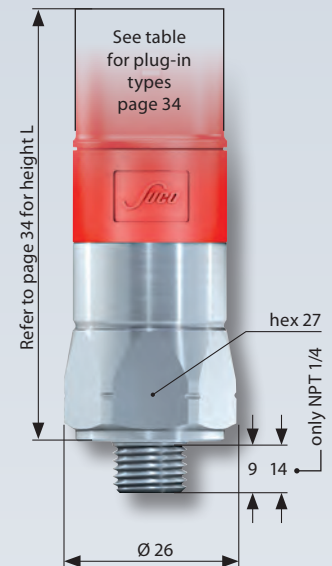
Seal material – Application areas

NBR	Hydraulic/machine oil, heating oil, air, nitrogen, etc.	1
EPDM	Brake fluid, hydrogen, oxygen, acetylene, etc.	2
FKM	Hydraulic fluids (HFA, HFB, HFD), petrol/gasoline, etc.	3
HNBR	Hydraulic/machine oil, ester-based bio-oils	9

Refer to page 33 for the temperature range and application thresholds of sealing materials.



Your order number: 013X – XXX XX – X – XXX



¹⁾ Static value. Dynamic value is 30-50% lower. Values pertain to the hydraulic/pneumatic part of the pressure switch.



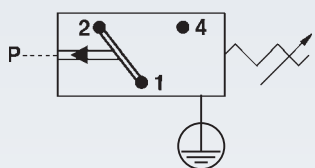
M

M.2

hex 27 integrated



Socket device included in the delivery



0184

Diaphragm pressure switches up to 250 V

- Made of zinc-plated steel (CrVI-free, other housing materials available as option)
- Socket device similar to DIN EN 175301 (DIN 43650)
- Changeover with silver contacts
- Overpressure safety up to 100 / 300 bar¹⁾
- Hysteresis adjustable at factory

$P_{max.}$ in bar	Adjustment range in bar	Tolerance in bar at room temperature	Male thread	Order number
----------------------	----------------------------	---	-------------	--------------

0184 Diaphragm pressure switches

100 ¹⁾	0.3 – 1.5	± 0.2	G 1/4	0184 – 457 03 – X – 003
			M 10x1 con.	0184 – 457 01 – X – 001
			M 12x1.5 cyl.	0184 – 457 02 – X – 002
			NPT 1/8	0184 – 457 04 – X – 318
			NPT 1/4	0184 – 457 09 – X – 314
			7/16-20 UNF	0184 – 457 20 – X – 301
300 ¹⁾	10 – 50	± 3.0	9/16-18 UNF	0184 – 457 21 – X – 302
			G 1/4	0184 – 458 03 – X – 042
			M 10x1 con.	0184 – 458 01 – X – 040
			M 12x1.5 cyl.	0184 – 458 02 – X – 041
			NPT 1/8	0184 – 458 04 – X – 343
			NPT 1/4	0184 – 458 09 – X – 340
300 ¹⁾	10 – 50	± 3.0	7/16-20 UNF	0184 – 458 20 – X – 341
			9/16-18 UNF	0184 – 458 21 – X – 342
			G 1/4	0184 – 459 03 – X – 009
			M 10x1 con.	0184 – 459 01 – X – 007
			M 12x1.5 cyl.	0184 – 459 02 – X – 008
			NPT 1/8	0184 – 459 04 – X – 320
300 ¹⁾	10 – 50	± 3.0	NPT 1/4	0184 – 459 09 – X – 311
			7/16-20 UNF	0184 – 459 20 – X – 305
			9/16-18 UNF	0184 – 459 21 – X – 306
			G 1/4	0184 – 461 03 – X – 012
			M 10x1 con.	0184 – 461 01 – X – 010
			M 12x1.5 cyl.	0184 – 461 02 – X – 011
300 ¹⁾	10 – 100	± 3.0 – 5.0	NPT 1/8	0184 – 461 04 – X – 321
			NPT 1/4	0184 – 461 09 – X – 312
			7/16-20 UNF	0184 – 461 20 – X – 307
			9/16-18 UNF	0184 – 461 21 – X – 308

Seal material – Application areas

NBR	Hydraulic/machine oil, heating oil, air, nitrogen, etc.	1
EPDM	Brake fluid, hydrogen, oxygen, acetylene, etc.	2
FKM	Hydraulic fluids (HFA, HFB, HFD), petrol/gasoline, etc.	3
HNBR	Hydraulic/machine oil, ester-based bio-oils	9

Refer to page 33 for the temperature range and application thresholds of sealing materials.



Your order number: 0184 – XXX XX – X – XXX



¹⁾ Static value. Dynamic value is 30-50 % lower. Values pertain to the hydraulic/pneumatic part of the pressure switch.

0185

Piston pressure switches up to 250 V

- Made of zinc-plated steel (CrVI-free, other housing materials available as option)
- Socket device similar to DIN EN 175301 (DIN 43650)
- Changeover with silver contacts
- Overpressure safety up to 600 bar¹⁾
- Hysteresis adjustable at factory

p _{max.} in bar	Adjustment range in bar	Tolerance in bar at room temperature	Male thread	Order number
-----------------------------	----------------------------	---	-------------	--------------

0185 Piston pressure switches

600 ¹⁾	50 – 200	± 5.0	G 1/4	0185 – 460 03 – X – 003
			M 10x1 con.	0185 – 460 01 – X – 001
			M 12x1.5 cyl.	0185 – 460 02 – X – 002
			NPT 1/8	0185 – 460 04 – X – 304
			NPT 1/4	0185 – 460 09 – X – 303
			7/16-20 UNF	0185 – 460 20 – X – 301
			9/16-18 UNF	0185 – 460 21 – X – 302

Seal material – Application areas

NBR	Hydraulic/machine oil, heating oil, air, nitrogen, etc.	1
EPDM	Brake fluid, hydrogen, oxygen, acetylene, etc.	2
FKM	Hydraulic fluids (HFA, HFB, HFD), petrol/gasoline, etc.	3
HNBR	Hydraulic/machine oil, ester-based bio-oils	9

Refer to page 33 for the temperature range and application thresholds of sealing materials.

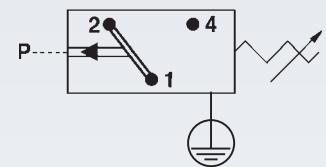
Your order number: 0185 – 460 XX – X – XXX

M.2

hex 27 integrated



Socket device included in the delivery



¹⁾ Static value. Dynamic value is 30-50% lower. Values pertain to the hydraulic/pneumatic part of the pressure switch.



M.2

hex 27 integrated



Socket device included in the delivery



0194

Diaphragm pressure switches up to 24 V with gold contacts

- Made of zinc-plated steel (CrVI-free)
- Socket device similar to DIN EN 175301 (DIN 43650)
- Changeover with gold contacts
- Overpressure safety up to 100/300 bar¹⁾
- Hysteresis adjustable at factory

$P_{max.}$ in bar	Adjustment range in bar	Tolerance in bar at room temperature		Order number
----------------------	----------------------------	---	--	--------------

0194 Diaphragm pressure switches

100 ¹⁾	0.3 – 1.5	± 0.2	G 1/4	0194 – 457 03 – X – 003
			M 10x1 con.	0194 – 457 01 – X – 001
			M 12x1.5 cyl.	0194 – 457 02 – X – 002
			NPT 1/8	0194 – 457 04 – X – 318
			NPT 1/4	0194 – 457 09 – X – 314
			7/16-20 UNF	0194 – 457 20 – X – 301
9/16-18 UNF	0194 – 457 21 – X – 302			
	1 – 10	± 0.5	G 1/4	0194 – 458 03 – X – 042
			M 10x1 con.	0194 – 458 01 – X – 040
			M 12x1.5 cyl.	0194 – 458 02 – X – 041
			NPT 1/8	0194 – 458 04 – X – 343
			NPT 1/4	0194 – 458 09 – X – 340
			7/16-20 UNF	0194 – 458 20 – X – 341
9/16-18 UNF	0194 – 458 21 – X – 342			
300 ¹⁾	10 – 50	± 3.0	G 1/4	0194 – 459 03 – X – 009
			M 10x1 con.	0194 – 459 01 – X – 007
			M 12x1.5 cyl.	0194 – 459 02 – X – 008
			NPT 1/8	0194 – 459 04 – X – 320
			NPT 1/4	0194 – 459 09 – X – 311
			7/16-20 UNF	0194 – 459 20 – X – 305
9/16-18 UNF	0194 – 459 21 – X – 306			
	10 – 100	± 3.0 – 5.0	G 1/4	0194 – 461 03 – X – 012
			M 10x1 con.	0194 – 461 01 – X – 010
			M 12x1.5 cyl.	0194 – 461 02 – X – 011
			NPT 1/8	0194 – 461 04 – X – 321
			NPT 1/4	0194 – 461 09 – X – 312
			7/16-20 UNF	0194 – 461 20 – X – 307
9/16-18 UNF	0194 – 461 21 – X – 308			

Seal material – Application areas

NBR	Hydraulic/machine oil, heating oil, air, nitrogen, etc.	1
EPDM	Brake fluid, hydrogen, oxygen, acetylene, etc.	2
FKM	Hydraulic fluids (HFA, HFB, HFD), petrol/gasoline, etc.	3
HNBR	Hydraulic/machine oil, ester-based bio-oils	9

Refer to page 33 for the temperature range and application thresholds of sealing materials.



Your order number:

0194 – XXX XX – X – XXX

¹⁾ Static value. Dynamic value is 30-50 % lower. Values pertain to the hydraulic/pneumatic part of the pressure switch.

0195

Piston pressure switches up to 24 V with gold contacts

- Made of zinc-plated steel (CrVI-free)
- Socket device similar to DIN EN 175301 (DIN 43650)
- Changeover with gold contacts
- Overpressure safety up to 600 bar¹⁾
- Hysteresis adjustable at factory

p _{max.} in bar	Adjustment range in bar	Tolerance in bar at room temperature	Male thread	Order number
-----------------------------	----------------------------	---	-------------	--------------

0195 Piston pressure switches

600 ¹⁾	50 – 200	± 5.0	G 1/4	0195 – 460 03 – X – 003
			M 10x1 con.	0195 – 460 01 – X – 001
			M 12x1.5 cyl.	0195 – 460 02 – X – 002
			NPT 1/8	0195 – 460 04 – X – 304
			NPT 1/4	0195 – 460 09 – X – 303
			7/16-20 UNF	0195 – 460 20 – X – 301
		9/16-18 UNF	0195 – 460 21 – X – 302	

Seal material – Application areas

NBR	Hydraulic/machine oil, heating oil, air, nitrogen, etc.	1
EPDM	Brake fluid, hydrogen, oxygen, acetylene, etc.	2
FKM	Hydraulic fluids (HFA, HFB, HFD), petrol/gasoline, etc.	3
HNBR	Hydraulic/machine oil, ester-based bio-oils	9

Refer to page 33 for the temperature range and application thresholds of sealing materials.

Your order number: **0195 – 460 XX – X – XXX**

M.2

hex 27 integrated



Socket device included in the delivery



¹⁾ Static value. Dynamic value is 30-50 % lower. Values pertain to the hydraulic/pneumatic part of the pressure switch.

Pressure switches hex 24

NC or NO, maximum voltage 42 V



- Most cost-effective solution for mechanical pressure monitoring
- Stable switching point even after long use and high load
- Switching point can be adjusted when fitted on site ¹⁾
- High pressure resistance, compact, small switches, available as normally closed (NC) or normally open (NO)
- For solutions with integrated connectors please refer to chapter M.1, starting at page 22

¹⁾ Pressure switches can also be supplied preset at factory. Our preset switches are sealed with lacquer paint, set points are embossed on the housing.

Pressure switches hex 24

Technical data

M.3

hex 24



Rated working voltage:	10 ... 42 VAC/DC	
Rated current range (resistive load, 12 DC and 12 AC):	10 mA ... 4 A	
Switching power DC12 / AC12:	100 W / 100 VA	
Temperature resistance of sealing materials:	NBR	-40 °C ... +100 °C
	EPDM	-30 °C ... +120 °C
	EPDM-W270, diaphragm	-20 °C ... +100 °C
	FKM (in diaphragm pressure switch)	-5 °C ... +120 °C
	FKM (in piston pressure switch)	-10 °C ... +120 °C
	Silicone, diaphragm	-40 °C ... +120 °C
	HNBR	-30 °C ... +120 °C
Switching frequency:	200 / min.	
Mechanical life expectancy:	1,000,000 cycles (for diaphragm pressure switches, life expectancy value only applies for switching pressures to max. 50 bar)	
Pressure rise rate:	≤ 1 bar/ms	
Hysteresis:	Average value 5 – 30 % depending on type, not adjustable	
Vibration resistance:	10 g; 5 – 200 Hz sine wave; DIN EN 60068-2-6	
Shock resistance:	294 m/s ² ; 14 ms half sine wave; DIN EN 60068-2-27	
Protection class:	IP65 Terminals IP00	
Weight:	approx. 90 g	

Type:		0163	0164	0166	0167	0168	0169
Material:	Zinc-plated steel (CrVI-free)	●		●		●	●
	Stainless steel		●				
	Brass				●		
Overpressure safety up to:	35 bar				●		
	300 bar			●		●	
	600 bar	●	●				●



M



0163

Diaphragm pressure switches up to 42 V with M3 screw terminal

- Made of zinc-plated steel (CrVI-free)
- M3 screw terminal
- Overpressure safety up to 600 bar¹⁾

Adjustment range tolerance at room temperature	Male thread	Order number NO → :	Order number NC → :
---	----------------	-------------------------	------------------------

0163 Diaphragm pressure switches with M3 screw terminal

0.1 – 1 (±0.2) bar	G 1/4	0163 – 401 03 – X – 003	0163 – 402 03 – X – 007
	G 1/8	0163 – 401 28 – X – 601	0163 – 402 28 – X – 602
	M 10x1 cyl.	0163 – 401 13 – X – 001	0163 – 402 13 – X – 002
	M 10x1 con.	0163 – 401 01 – X – 001	0163 – 402 01 – X – 005
	M 12x1.5 cyl.	0163 – 401 02 – X – 002	0163 – 402 02 – X – 006
	NPT 1/8	0163 – 401 04 – X – 004	0163 – 402 04 – X – 008
0.5 – 3 (±0.3) bar	G 1/4	0163 – 421 03 – X – 070	0163 – 422 03 – X – 070
	G 1/8	0163 – 421 28 – X – 070	0163 – 422 28 – X – 070
	M 10x1 cyl.	0163 – 421 13 – X – 070	0163 – 422 13 – X – 070
	M 10x1 con.	0163 – 421 01 – X – 070	0163 – 422 01 – X – 070
	M 12x1.5 cyl.	0163 – 421 02 – X – 070	0163 – 422 02 – X – 070
	NPT 1/8	0163 – 421 04 – X – 070	0163 – 422 04 – X – 070
1 – 10 (±0.5) bar	G 1/4	0163 – 405 03 – X – 019	0163 – 406 03 – X – 023
	G 1/8	0163 – 405 28 – X – 605	0163 – 406 28 – X – 606
	M 10x1 cyl.	0163 – 405 13 – X – 005	0163 – 406 13 – X – 006
	M 10x1 con.	0163 – 405 01 – X – 017	0163 – 406 01 – X – 021
	M 12x1.5 cyl.	0163 – 405 02 – X – 018	0163 – 406 02 – X – 022
	NPT 1/8	0163 – 405 04 – X – 020	0163 – 406 04 – X – 024
10 – 20 (±1) bar	G 1/4	0163 – 409 03 – X – 035	0163 – 410 03 – X – 039
	G 1/8	0163 – 409 28 – X – 609	0163 – 410 28 – X – 610
	M 10x1 cyl.	0163 – 409 13 – X – 009	0163 – 410 13 – X – 010
	M 10x1 con.	0163 – 409 01 – X – 033	0163 – 410 01 – X – 037
	M 12x1.5 cyl.	0163 – 409 02 – X – 034	0163 – 410 02 – X – 038
	NPT 1/8	0163 – 409 04 – X – 036	0163 – 410 04 – X – 040
20 – 50 (±2) bar	G 1/4	0163 – 413 03 – X – 051	0163 – 414 03 – X – 055
	G 1/8	0163 – 413 28 – X – 613	0163 – 414 28 – X – 614
	M 10x1 cyl.	0163 – 413 13 – X – 013	0163 – 414 13 – X – 014
	M 10x1 con.	0163 – 413 01 – X – 049	0163 – 414 01 – X – 053
	M 12x1.5 cyl.	0163 – 413 02 – X – 050	0163 – 414 02 – X – 054
	NPT 1/8	0163 – 413 04 – X – 052	0163 – 414 04 – X – 056

Seal material – Application areas

NBR	Hydraulic/machine oil, heating oil, air, nitrogen, etc.	1
EPDM	Brake fluid, hydrogen, oxygen, acetylene, etc.	2
FKM	Hydraulic fluids (HFA, HFB, HFD), petrol/gasoline, etc.	3
HNBR	Hydraulic/machine oil, ester-based bio-oils	9

Refer to page 41 for the temperature range and application thresholds of sealing materials.



Your order number:

0163 – XXX XX – X – XXX

¹⁾ Static value. Dynamic value is 30-50 % lower. Values pertain to the hydraulic/pneumatic part of the pressure switch.

0163

Diaphragm pressure switches up to 42 V with spade terminal

- Made of zinc-plated steel (CrVI-free)
- Spade terminal
- Overpressure safety up to 600 bar¹⁾

Adjustment range tolerance at room temperature	Male thread	Order number NO → :	Order number NC → :
---	----------------	-------------------------	------------------------

0163 Diaphragm pressure switches with spade terminal

0.1 – 1 (±0.2) bar	G 1/4	0163 – 403 03 – X – 011	0163 – 404 03 – X – 015
	G 1/8	0163 – 403 28 – X – 603	0163 – 404 28 – X – 604
	M 10x1 cyl.	0163 – 403 13 – X – 003	0163 – 404 13 – X – 004
	M 10x1 con.	0163 – 403 01 – X – 009	0163 – 404 01 – X – 013
	M 12x1.5 cyl.	0163 – 403 02 – X – 010	0163 – 404 02 – X – 014
	NPT 1/8	0163 – 403 04 – X – 012	0163 – 404 04 – X – 016
0.5 – 3 (±0.3) bar	G 1/4	0163 – 423 03 – X – 070	0163 – 424 03 – X – 070
	G 1/8	0163 – 423 28 – X – 070	0163 – 424 28 – X – 070
	M 10x1 cyl.	0163 – 423 13 – X – 070	0163 – 424 13 – X – 070
	M 10x1 con.	0163 – 423 01 – X – 070	0163 – 424 01 – X – 070
	M 12x1.5 cyl.	0163 – 423 02 – X – 070	0163 – 424 02 – X – 070
	NPT 1/8	0163 – 423 04 – X – 070	0163 – 424 04 – X – 070
1 – 10 (±0.5) bar	G 1/4	0163 – 407 03 – X – 027	0163 – 408 03 – X – 031
	G 1/8	0163 – 407 28 – X – 607	0163 – 408 28 – X – 608
	M 10x1 cyl.	0163 – 407 13 – X – 007	0163 – 408 13 – X – 008
	M 10x1 con.	0163 – 407 01 – X – 025	0163 – 408 01 – X – 029
	M 12x1.5 cyl.	0163 – 407 02 – X – 026	0163 – 408 02 – X – 030
	NPT 1/8	0163 – 407 04 – X – 028	0163 – 408 04 – X – 032
10 – 20 (±1) bar	G 1/4	0163 – 411 03 – X – 043	0163 – 412 03 – X – 047
	G 1/8	0163 – 411 28 – X – 611	0163 – 412 28 – X – 612
	M 10x1 cyl.	0163 – 411 13 – X – 011	0163 – 412 13 – X – 012
	M 10x1 con.	0163 – 411 01 – X – 041	0163 – 412 01 – X – 045
	M 12x1.5 cyl.	0163 – 411 02 – X – 042	0163 – 412 02 – X – 046
	NPT 1/8	0163 – 411 04 – X – 044	0163 – 412 04 – X – 048
20 – 50 (±2) bar	G 1/4	0163 – 415 03 – X – 059	0163 – 416 03 – X – 063
	G 1/8	0163 – 415 28 – X – 615	0163 – 416 28 – X – 616
	M 10x1 cyl.	0163 – 415 13 – X – 015	0163 – 416 13 – X – 016
	M 10x1 con.	0163 – 415 01 – X – 057	0163 – 416 01 – X – 061
	M 12x1.5 cyl.	0163 – 415 02 – X – 058	0163 – 416 02 – X – 062
	NPT 1/8	0163 – 415 04 – X – 060	0163 – 416 04 – X – 064

Seal material – Application areas

NBR	Hydraulic/machine oil, heating oil, air, nitrogen, etc.	1
EPDM	Brake fluid, hydrogen, oxygen, acetylene, etc.	2
FKM	Hydraulic fluids (HFA, HFB, HFD), petrol/gasoline, etc.	3
HNBR	Hydraulic/machine oil, ester-based bio-oils	9

Refer to page 41 for the temperature range and application thresholds of sealing materials.



Your order number: 0163 – XXX XX – X – XXX

M.3

hex 24



M



¹⁾ Static value. Dynamic value is 30-50% lower. Values pertain to the hydraulic/pneumatic part of the pressure switch.



0166

Diaphragm pressure switches up to 42 V with M3 screw terminal

- Made of zinc-plated steel (CrVI-free)
- M3 screw terminal
- Overpressure safety up to 300 bar¹⁾

Adjustment range tolerance at room temperature	Male thread	Order number NO → :	Order number NC → :
---	----------------	-------------------------	------------------------

0166 Diaphragm pressure switches with M3 screw terminal

0.1 – 1 (±0.2) bar	G 1/4	0166 – 401 03 – X – 003	0166 – 402 03 – X – 007
	G 1/8	0166 – 401 28 – X – 601	0166 – 402 28 – X – 602
	M 10x1 cyl.	0166 – 401 13 – X – 001	0166 – 402 13 – X – 002
	M 10x1 con.	0166 – 401 01 – X – 001	0166 – 402 01 – X – 005
	M 12x1.5 cyl.	0166 – 401 02 – X – 002	0166 – 402 02 – X – 006
	NPT 1/8	0166 – 401 04 – X – 004	0166 – 402 04 – X – 008
0.5 – 3 (±0.3) bar	G 1/4	0166 – 421 03 – X – 070	0166 – 422 03 – X – 070
	G 1/8	0166 – 421 28 – X – 070	0166 – 422 28 – X – 070
	M 10x1 cyl.	0166 – 421 13 – X – 070	0166 – 422 13 – X – 070
	M 10x1 con.	0166 – 421 01 – X – 070	0166 – 422 01 – X – 070
	M 12x1.5 cyl.	0166 – 421 02 – X – 070	0166 – 422 02 – X – 070
	NPT 1/8	0166 – 421 04 – X – 070	0166 – 422 04 – X – 070
1 – 10 (±0.5) bar	G 1/4	0166 – 405 03 – X – 019	0166 – 406 03 – X – 023
	G 1/8	0166 – 405 28 – X – 605	0166 – 406 28 – X – 606
	M 10x1 cyl.	0166 – 405 13 – X – 005	0166 – 406 13 – X – 006
	M 10x1 con.	0166 – 405 01 – X – 017	0166 – 406 01 – X – 021
	M 12x1.5 cyl.	0166 – 405 02 – X – 018	0166 – 406 02 – X – 022
	NPT 1/8	0166 – 405 04 – X – 020	0166 – 406 04 – X – 024
10 – 20 (±1) bar	G 1/4	0166 – 409 03 – X – 035	0166 – 410 03 – X – 039
	G 1/8	0166 – 409 28 – X – 609	0166 – 410 28 – X – 610
	M 10x1 cyl.	0166 – 409 13 – X – 009	0166 – 410 13 – X – 010
	M 10x1 con.	0166 – 409 01 – X – 033	0166 – 410 01 – X – 037
	M 12x1.5 cyl.	0166 – 409 02 – X – 034	0166 – 410 02 – X – 038
	NPT 1/8	0166 – 409 04 – X – 036	0166 – 410 04 – X – 040
20 – 50 (±2) bar	G 1/4	0166 – 413 03 – X – 051	0166 – 414 03 – X – 055
	G 1/8	0166 – 413 28 – X – 613	0166 – 414 28 – X – 614
	M 10x1 cyl.	0166 – 413 13 – X – 013	0166 – 414 13 – X – 014
	M 10x1 con.	0166 – 413 01 – X – 049	0166 – 414 01 – X – 053
	M 12x1.5 cyl.	0166 – 413 02 – X – 050	0166 – 414 02 – X – 054
	NPT 1/8	0166 – 413 04 – X – 052	0166 – 414 04 – X – 056

Seal material – Application areas

NBR	Hydraulic/machine oil, heating oil, air, nitrogen, etc.	1
EPDM	Brake fluid, hydrogen, oxygen, acetylene, etc.	2
FKM	Hydraulic fluids (HFA, HFB, HFD), petrol/gasoline, etc.	3
HNBR	Hydraulic/machine oil, ester-based bio-oils	9

Refer to page 41 for the temperature range and application thresholds of sealing materials.



Your order number:

0166 – XXX XX – X – XXX

¹⁾ Static value. Dynamic value is 30-50 % lower. Values pertain to the hydraulic/pneumatic part of the pressure switch.

0166

Diaphragm pressure switches up to 42 V with spade terminal

- Made of zinc-plated steel (CrVI-free)
- Spade terminal
- Overpressure safety up to 300 bar¹⁾

Adjustment range tolerance at room temperature	Male thread	Order number NO → :	Order number NC → :
---	----------------	-------------------------	------------------------

0166 Diaphragm pressure switches with spade terminal

0.1 – 1 (±0.2) bar	G 1/4	0166 – 403 03 – X – 011	0166 – 404 03 – X – 015
	G 1/8	0166 – 403 28 – X – 603	0166 – 404 28 – X – 604
	M 10x1 cyl.	0166 – 403 13 – X – 003	0166 – 404 13 – X – 004
	M 10x1 con.	0166 – 403 01 – X – 009	0166 – 404 01 – X – 013
	M 12x1.5 cyl.	0166 – 403 02 – X – 010	0166 – 404 02 – X – 014
	NPT 1/8	0166 – 403 04 – X – 012	0166 – 404 04 – X – 016
0.5 – 3 (±0.3) bar	G 1/4	0166 – 423 03 – X – 070	0166 – 424 03 – X – 070
	G 1/8	0166 – 423 28 – X – 070	0166 – 424 28 – X – 070
	M 10x1 cyl.	0166 – 423 13 – X – 070	0166 – 424 13 – X – 070
	M 10x1 con.	0166 – 423 01 – X – 070	0166 – 424 01 – X – 070
	M 12x1.5 cyl.	0166 – 423 02 – X – 070	0166 – 424 02 – X – 070
	NPT 1/8	0166 – 423 04 – X – 070	0166 – 424 04 – X – 070
1 – 10 (±0.5) bar	G 1/4	0166 – 407 03 – X – 027	0166 – 408 03 – X – 031
	G 1/8	0166 – 407 28 – X – 607	0166 – 408 28 – X – 608
	M 10x1 cyl.	0166 – 407 13 – X – 007	0166 – 408 13 – X – 008
	M 10x1 con.	0166 – 407 01 – X – 025	0166 – 408 01 – X – 029
	M 12x1.5 cyl.	0166 – 407 02 – X – 026	0166 – 408 02 – X – 030
	NPT 1/8	0166 – 407 04 – X – 028	0166 – 408 04 – X – 032
10 – 20 (±1) bar	G 1/4	0166 – 411 03 – X – 043	0166 – 412 03 – X – 047
	G 1/8	0166 – 411 28 – X – 611	0166 – 412 28 – X – 612
	M 10x1 cyl.	0166 – 411 13 – X – 011	0166 – 412 13 – X – 012
	M 10x1 con.	0166 – 411 01 – X – 041	0166 – 412 01 – X – 045
	M 12x1.5 cyl.	0166 – 411 02 – X – 042	0166 – 412 02 – X – 046
	NPT 1/8	0166 – 411 04 – X – 044	0166 – 412 04 – X – 048
20 – 50 (±2) bar	G 1/4	0166 – 415 03 – X – 059	0166 – 416 03 – X – 063
	G 1/8	0166 – 415 28 – X – 615	0166 – 416 28 – X – 616
	M 10x1 cyl.	0166 – 415 13 – X – 015	0166 – 416 13 – X – 016
	M 10x1 con.	0166 – 415 01 – X – 057	0166 – 416 01 – X – 061
	M 12x1.5 cyl.	0166 – 415 02 – X – 058	0166 – 416 02 – X – 062
	NPT 1/8	0166 – 415 04 – X – 060	0166 – 416 04 – X – 064

Seal material – Application areas

NBR	Hydraulic/machine oil, heating oil, air, nitrogen, etc.	1
EPDM	Brake fluid, hydrogen, oxygen, acetylene, etc.	2
FKM	Hydraulic fluids (HFA, HFB, HFD), petrol/gasoline, etc.	3
HNBR	Hydraulic/machine oil, ester-based bio-oils	9

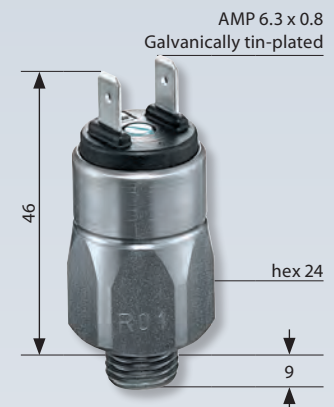
Refer to page 41 for the temperature range and application thresholds of sealing materials.



Your order number: 0166 – XXX XX – X – XXX

M.3

hex 24



M



¹⁾ Static value. Dynamic value is 30-50% lower. Values pertain to the hydraulic/pneumatic part of the pressure switch.

M.3

hex 24

0168

Diaphragm pressure switches up to 42 V

- Made of zinc-plated steel (CrVI-free)
- Spade or M3 screw terminal
- Overpressure safety up to 300 bar¹⁾
- With female thread for compression-type fitting to DIN 2353

Adjustment range tolerance at room temperature	Female thread	Order number NO → :	Order number NC → :
---	------------------	-------------------------	------------------------

0168 Diaphragm pressure switches with M3 screw terminal

0.1 – 1 (±0.2) bar	M 12x1.5 female DIN 2353	0168 – 401 16 – X – 001	0168 – 402 16 – X – 002
0.5 – 3 (±0.3) bar		0168 – 421 16 – X – 070	0168 – 422 16 – X – 070
1 – 10 (±0.5) bar		0168 – 405 16 – X – 005	0168 – 406 16 – X – 006
10 – 20 (±1) bar		0168 – 409 16 – X – 009	0168 – 410 16 – X – 010
20 – 50 (±2) bar		0168 – 413 16 – X – 013	0168 – 414 16 – X – 014

0168 Diaphragm pressure switches with spade terminal

0.1 – 1 (±0.2) bar	M 12x1.5 female DIN 2353	0168 – 403 16 – X – 003	0168 – 404 16 – X – 004
0.5 – 3 (±0.3) bar		0168 – 423 16 – X – 070	0168 – 424 16 – X – 070
1 – 10 (±0.5) bar		0168 – 407 16 – X – 007	0168 – 408 16 – X – 008
10 – 20 (±1) bar		0168 – 411 16 – X – 011	0168 – 412 16 – X – 012
20 – 50 (±2) bar		0168 – 415 16 – X – 015	0168 – 416 16 – X – 016

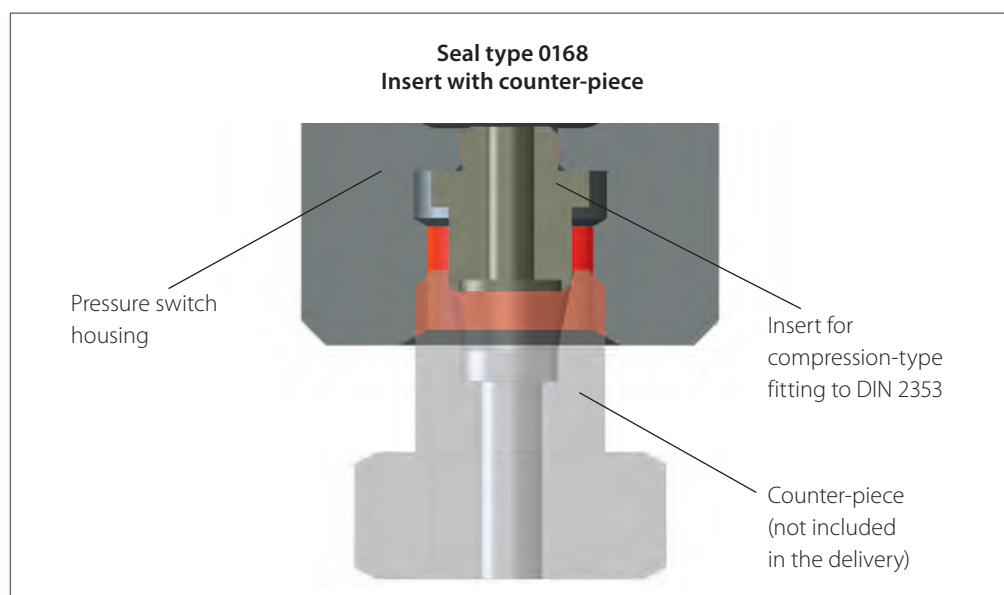


Seal material – Application areas

NBR	Hydraulic/machine oil, heating oil, air, nitrogen, etc.	1
EPDM	Brake fluid, hydrogen, oxygen, acetylene, etc.	2
FKM	Hydraulic fluids (HFA, HFB, HFD), petrol/gasoline, etc.	3
HNBR	Hydraulic/machine oil, ester-based bio-oils	9

Refer to page 41 for the temperature range and application thresholds of sealing materials.

Your order number: 0168 – XXX XX – X – XXX



¹⁾ Static value. Dynamic value is 30-50 % lower. Values pertain to the hydraulic/pneumatic part of the pressure switch.

0169

Piston pressure switches up to 42 V

- Made of zinc-plated steel (CrVI-free)
- Spade or M3 screw terminal
- Overpressure safety up to 600 bar¹⁾

Adjustment range tolerance at room temperature	Male thread	Order number NO → :	Order number NC → :
---	----------------	--------------------------------	-------------------------------

0169 Piston pressure switches with M3 screw terminal

50 – 150 (±5) bar	G 1/4	0169 – 417 03 – X – 003	0169 – 418 03 – X – 007
	G 1/8	0169 – 417 28 – X – 601	0169 – 418 28 – X – 602
	M 10x1 cyl.	0169 – 417 13 – X – 001	0169 – 418 13 – X – 002
	M 10x1 con.	0169 – 417 01 – X – 001	0169 – 418 01 – X – 005
	M 12x1.5 cyl.	0169 – 417 02 – X – 002	0169 – 418 02 – X – 006
	NPT 1/8	0169 – 417 04 – X – 004	0169 – 418 04 – X – 008

0169 Piston pressure switches with spade terminal

50 – 150 (±5) bar	G 1/4	0169 – 419 03 – X – 011	0169 – 420 03 – X – 015
	G 1/8	0169 – 419 28 – X – 603	0169 – 420 28 – X – 604
	M 10x1 cyl.	0169 – 419 13 – X – 003	0169 – 420 13 – X – 004
	M 10x1 con.	0169 – 419 01 – X – 009	0169 – 420 01 – X – 013
	M 12x1.5 cyl.	0169 – 419 02 – X – 010	0169 – 420 02 – X – 014
	NPT 1/8	0169 – 419 04 – X – 012	0169 – 420 04 – X – 016

Seal material – Application areas

NBR	Hydraulic/machine oil, heating oil, air, nitrogen, etc.	1
EPDM	Brake fluid, hydrogen, oxygen, acetylene, etc.	2
FKM	Hydraulic fluids (HFA, HFB, HFD), petrol/gasoline, etc.	3
HNBR	Hydraulic/machine oil, ester-based bio-oils	9

Refer to page 41 for the temperature range and application thresholds of sealing materials.

Your order number: **0169 – XXX XX – X – XXX**

M.3

hex 24



¹⁾ Static value. Dynamic value is 30-50 % lower. Values pertain to the hydraulic/pneumatic part of the pressure switch.





0164

Diaphragm pressure switches up to 42 V with stainless steel housing

- Stainless steel housing (1.4305 / AISI 303)
- Spade or M3 screw terminal
- Overpressure safety up to 600 bar¹⁾
(EPDM-W270 and silicone diaphragm up to 35 bar²⁾)

Adjustment range tolerance at room temperature	Male thread	Order number NO → :	Order number NC → :
---	----------------	-------------------------	------------------------

0164 Diaphragm pressure switches with M3 screw terminal

Adjustment range	Male thread	Order number NO → :	Order number NC → :
0.1 – 1 (±0.2) bar	G 1/4-E	0164 – 401 41 – X – 001	0164 – 402 41 – X – 002
	R 1/8	0164 – 401 12 – X – 001	0164 – 402 12 – X – 002
	R 1/4	0164 – 401 46 – X – 001	0164 – 402 46 – X – 002
0.5 – 3 (±0.3) bar	G 1/4-E	0164 – 421 41 – X – 070	0164 – 422 41 – X – 070
	R 1/8	0164 – 421 12 – X – 070	0164 – 422 12 – X – 070
	R 1/4	0164 – 421 46 – X – 070	0164 – 422 46 – X – 070
1 – 10 (±0.5) bar	G 1/4-E	0164 – 405 41 – X – 005	0164 – 406 41 – X – 006
	R 1/8	0164 – 405 12 – X – 005	0164 – 406 12 – X – 006
	R 1/4	0164 – 405 46 – X – 005	0164 – 406 46 – X – 006
10 – 20 (±1) bar	G 1/4-E	0164 – 409 41 – X – 009	0164 – 410 41 – X – 010
	R 1/8	0164 – 409 12 – X – 009	0164 – 410 12 – X – 010
	R 1/4	0164 – 409 46 – X – 009	0164 – 410 46 – X – 010
20 – 50 (±2) bar	G 1/4-E	0164 – 413 41 – X – 013	0164 – 414 41 – X – 014
	R 1/8	0164 – 413 12 – X – 013	0164 – 414 12 – X – 014
	R 1/4	0164 – 413 46 – X – 013	0164 – 414 46 – X – 014

Seal material – Application areas

NBR	Hydraulic/machine oil, heating oil, air, nitrogen, etc.	1
EPDM	Water, Brake fluid, hydrogen, oxygen, acetylene, etc.	2
EPDM-W270	Drinking water ($p_{max} \leq 35$ bar)	5
FKM	Hydraulic fluids (HFA, HFB, HFD), petrol/gasoline, etc.	3
Silicone	Water, food products, air, etc. ($p_{max} \leq 35$ bar)	8
HNBR	Hydraulic/machine oil, ester-based bio-oils	9

Refer to page 41 for the temperature range and application thresholds of sealing materials.



Your order number: 0164 – XXX XX – X – XXX

¹⁾ Static value. Dynamic value is 30-50 % lower. Values pertain to the hydraulic/pneumatic part of the pressure switch.

²⁾ Overpressure safety of pressure switch up to 600 bar. Functional reliability only up to 35 bar with diaphragm materials EPDM-W270 and silicone.

0164

Diaphragm pressure switches up to 42 V with stainless steel housing

- Stainless steel housing (1.4305 / AISI 303)
- Spade or M3 screw terminal
- Overpressure safety up to 600 bar¹⁾
(EPDM-W270 and silicone diaphragm up to 35 bar²⁾)

Adjustment range tolerance at room temperature	Male thread	Order number NO → :	Order number NC → :
---	----------------	-------------------------	------------------------

0164 Diaphragm pressure switches with spade terminal

0.1 – 1 (±0.2) bar	G 1/4-E	0164 – 403 41 – X – 003	0164 – 404 41 – X – 004
	R 1/8	0164 – 403 12 – X – 003	0164 – 404 12 – X – 004
	R 1/4	0164 – 403 46 – X – 003	0164 – 404 46 – X – 004
0.5 – 3 (±0.3) bar	G 1/4-E	0164 – 423 41 – X – 070	0164 – 424 41 – X – 070
	R 1/8	0164 – 423 12 – X – 070	0164 – 424 12 – X – 070
	R 1/4	0164 – 423 46 – X – 070	0164 – 424 46 – X – 070
1 – 10 (±0.5) bar	G 1/4-E	0164 – 407 41 – X – 007	0164 – 408 41 – X – 008
	R 1/8	0164 – 407 12 – X – 007	0164 – 408 12 – X – 008
	R 1/4	0164 – 407 46 – X – 007	0164 – 408 46 – X – 008
10 – 20 (±1) bar	G 1/4-E	0164 – 411 41 – X – 011	0164 – 412 41 – X – 012
	R 1/8	0164 – 411 12 – X – 011	0164 – 412 12 – X – 012
	R 1/4	0164 – 411 46 – X – 011	0164 – 412 46 – X – 012
20 – 50 (±2) bar	G 1/4-E	0164 – 415 41 – X – 015	0164 – 416 41 – X – 016
	R 1/8	0164 – 415 12 – X – 015	0164 – 416 12 – X – 016
	R 1/4	0164 – 415 46 – X – 015	0164 – 416 46 – X – 016

Seal material – Application areas

NBR	Hydraulic/machine oil, heating oil, air, nitrogen, etc.	1
EPDM	Water, Brake fluid, hydrogen, oxygen, acetylene, etc.	2
EPDM-W270	Drinking water ($p_{max} \leq 35$ bar)	5
FKM	Hydraulic fluids (HFA, HFB, HFD), petrol/gasoline, etc.	3
Silicone	Water, food products, air, etc. ($p_{max} \leq 35$ bar)	8
HNBR	Hydraulic/machine oil, ester-based bio-oils	9

Refer to page 41 for the temperature range and application thresholds of sealing materials.

Your order number: 0164 – XXX XX – X – XXX

M.3

hex 24



¹⁾ Static value. Dynamic value is 30-50% lower. Values pertain to the hydraulic/pneumatic part of the pressure switch.

²⁾ Overpressure safety of pressure switch up to 600 bar. Functional reliability only up to 35 bar with diaphragm materials EPDM-W270 and silicone.

M.3

hex 24



0167

Diaphragm pressure switches up to 42 V with brass housing

- Brass housing
- M3 screw terminal
- Overpressure safety up to 35 bar¹⁾

Adjustment range tolerance at room temperature	Male thread	Order number NO → :	Order number NC → :
---	----------------	-------------------------	------------------------

0167 Diaphragm pressure switches with M3 screw terminal

0.1 – 1 (±0.2) bar	G 1/4	0167 – 401 03 – X – 037	0167 – 402 03 – X – 038
	G 1/8	0167 – 401 28 – X – 001	0167 – 402 28 – X – 002
	R 1/8	0167 – 401 12 – X – 002	0167 – 402 12 – X – 005
	R 1/2	0167 – 401 07 – X – 003	0167 – 402 07 – X – 006
	M 10x1 con.	0167 – 401 01 – X – 001	0167 – 402 01 – X – 004
	NPT 1/8	0167 – 401 04 – X – 004	0167 – 402 04 – X – 008
0.5 – 3 (±0.3) bar	G 1/4	0167 – 421 03 – X – 070	0167 – 422 03 – X – 070
	G 1/8	0167 – 421 28 – X – 070	0167 – 422 28 – X – 070
	R 1/8	0167 – 421 12 – X – 070	0167 – 422 12 – X – 070
	R 1/2	0167 – 421 07 – X – 070	0167 – 422 07 – X – 070
	M 10x1 con.	0167 – 421 01 – X – 070	0167 – 422 01 – X – 070
	NPT 1/8	0167 – 421 04 – X – 070	0167 – 422 04 – X – 070
1 – 10 (±0.5) bar	G 1/4	0167 – 405 03 – X – 041	0167 – 406 03 – X – 042
	G 1/8	0167 – 405 28 – X – 005	0167 – 406 28 – X – 006
	R 1/8	0167 – 405 12 – X – 014	0167 – 406 12 – X – 017
	R 1/2	0167 – 405 07 – X – 015	0167 – 406 07 – X – 018
	M 10x1 con.	0167 – 405 01 – X – 013	0167 – 406 01 – X – 016
	NPT 1/8	0167 – 405 04 – X – 020	0167 – 406 04 – X – 024
10 – 20 (±1) bar	G 1/4	0167 – 409 03 – X – 045	0167 – 410 03 – X – 046
	G 1/8	0167 – 409 28 – X – 009	0167 – 410 28 – X – 010
	R 1/8	0167 – 409 12 – X – 026	0167 – 410 12 – X – 029
	R 1/2	0167 – 409 07 – X – 027	0167 – 410 07 – X – 030
	M 10x1 con.	0167 – 409 01 – X – 025	0167 – 410 01 – X – 028
	NPT 1/8	0167 – 409 04 – X – 036	0167 – 410 04 – X – 040

Seal material – Application areas

NBR	Hydraulic/machine oil, heating oil, air, nitrogen, etc.	1
EPDM	Water, Brake fluid, hydrogen, oxygen, acetylene, etc.	2
EPDM-W270	Drinking water	5
FKM	Hydraulic fluids (HFA, HFB, HFD), petrol/gasoline, etc.	5
Silicone	Water, food products, air, etc.	8

Refer to page 41 for the temperature range and application thresholds of sealing materials.



Your order number:

0167 – XXX XX – X – XXX



¹⁾ Static value. Dynamic value is 30-50 % lower. Values pertain to the hydraulic/pneumatic part of the pressure switch.

0167

Diaphragm pressure switches up to 42 V with brass housing

- Brass housing
- Spade terminal
- Overpressure safety up to 35 bar¹⁾

Adjustment range tolerance at room temperature	Male thread	Order number NO → :	Order number NC → :
---	----------------	-------------------------	------------------------

0167 Diaphragm pressure switches with spade terminal

0.1 – 1 (±0.2) bar	G 1/4	0167 – 403 03 – X – 039	0167 – 404 03 – X – 040
	G 1/8	0167 – 403 28 – X – 003	0167 – 404 28 – X – 004
	R 1/8	0167 – 403 12 – X – 008	0167 – 404 12 – X – 011
	R 1/2	0167 – 403 07 – X – 009	0167 – 404 07 – X – 012
	M 10x1 con.	0167 – 403 01 – X – 007	0167 – 404 01 – X – 010
	NPT 1/8	0167 – 403 04 – X – 012	0167 – 404 04 – X – 016
0.5 – 3 (±0.3) bar	G 1/4	0167 – 423 03 – X – 070	0167 – 424 03 – X – 070
	G 1/8	0167 – 423 28 – X – 070	0167 – 424 28 – X – 070
	R 1/8	0167 – 423 12 – X – 070	0167 – 424 12 – X – 070
	R 1/2	0167 – 423 07 – X – 070	0167 – 424 07 – X – 070
	M 10x1 con.	0167 – 423 01 – X – 070	0167 – 424 01 – X – 070
	NPT 1/8	0167 – 423 04 – X – 070	0167 – 424 04 – X – 070
1 – 10 (±0.5) bar	G 1/4	0167 – 407 03 – X – 043	0167 – 408 03 – X – 044
	G 1/8	0167 – 407 28 – X – 007	0167 – 408 28 – X – 008
	R 1/8	0167 – 407 12 – X – 020	0167 – 408 12 – X – 023
	R 1/2	0167 – 407 07 – X – 021	0167 – 408 07 – X – 024
	M 10x1 con.	0167 – 407 01 – X – 019	0167 – 408 01 – X – 022
	NPT 1/8	0167 – 407 04 – X – 028	0167 – 408 04 – X – 032
10 – 20 (±1) bar	G 1/4	0167 – 411 03 – X – 047	0167 – 412 03 – X – 048
	G 1/8	0167 – 411 28 – X – 011	0167 – 412 28 – X – 012
	R 1/8	0167 – 411 12 – X – 032	0167 – 412 12 – X – 035
	R 1/2	0167 – 411 07 – X – 033	0167 – 412 07 – X – 036
	M 10x1 con.	0167 – 411 01 – X – 031	0167 – 412 01 – X – 034
	NPT 1/8	0167 – 411 04 – X – 044	0167 – 412 04 – X – 048

Seal material – Application areas

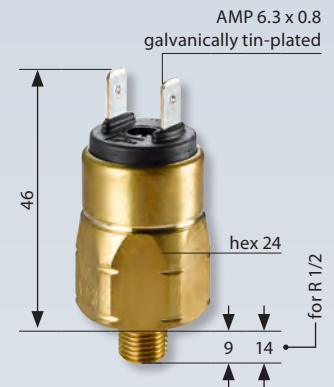
NBR	Hydraulic/machine oil, heating oil, air, nitrogen, etc.	1
EPDM	Water, Brake fluid, hydrogen, oxygen, acetylene, etc.	2
EPDM-W270	Drinking water	5
FKM	Hydraulic fluids (HFA, HFB, HFD), petrol/gasoline, etc.	5
Silicone	Water, food products, air, etc.	8

Refer to page 41 for the temperature range and application thresholds of sealing materials.

Your order number: 0167 – XXX XX – X – XXX

M.3

hex 24



¹⁾ Static value. Dynamic value is 30-50% lower. Values pertain to the hydraulic/pneumatic part of the pressure switch.

Pressure switches hex 27

Changeover with silver or gold contacts



- Switching point can be adjusted when fitted on site ¹⁾
- Factory adjustable hysteresis (except types 0140 and 0141)
- High overpressure safety and long service life under harsh conditions
- Operating voltage up to 250 V
- Series 0140 / 0141 with protective insulation
- For ready-wired customized versions refer to chapter M.5, starting at page 62
- For pressure switches with integrated connectors refer to chapter M.2, starting at page 32

¹⁾ Pressure switches can also be supplied preset at factory. Our preset switches are sealed with lacquer paint, set points are embossed on the housing.

Pressure switches hex 27

Technical data

M.4

hex 27



Temperature resistance of sealing materials:	NBR (max. overpressure up to 100 bar)	-30 °C ... +100 °C
	NBR (max. overpressure up to 300 bar)	-40 °C ... +100 °C
	EPDM	-30 °C ... +120 °C
	EPDM-W270 (in diaphragm pressure switch)	-20 °C ... +100 °C
	FKM (in diaphragm pressure switch)	-5 °C ... +120 °C
	FKM (in piston pressure switch)	-15 °C ... +120 °C
	Silicone (in diaphragm pressure switch)	-40 °C ... +120 °C
	HNBR	-30 °C ... +120 °C
Switching frequency:	200/min.	
Mechanical life expectancy:	1,000,000 cycles (for diaphragm pressure switches, life expectancy value only applies for switching pressures to max. 50 bar)	
Pressure rise rate:	≤ 1 bar/ms	
Hysteresis (only adjustable at factory):	Adjustable average value 10 ... 30 % depending on type Types 0140 and 0141 cannot be adjusted	
Vibration resistance:	10g; 5 ... 200Hz sine wave; DIN EN 60068-2-6	
Shock resistance:	294 m/s ² ; 14 ms half sine wave; DIN EN 60068-2-6, DIN EN 60068-2-29	
Protection class:	IP65 with socket device, terminals IP00	
Weight:	approx. 100g	

Switching performance and materials overview

Type	0140	0141	0170	0171	0180	0181	0183	0186	0187	0190	0191	0196	0197
5 ... 24 VDC										●	●	●	●
10 ... 42 VAC/DC			●	●									
10 ... 250 VAC/DC	●	●			●	●	●	●	●				
3 ... 50 mA										●	●	●	●
10 mA ... 2 A	●	●											
10 mA ... 4 A			●	●	●	●	●	●	●				
Gold contacts										●	●	●	●
Silver contacts	●	●	●	●	●	●	●	●	●				
Adjustable hysteresis			●	●	●	●	●	●	●	●	●	●	●
Zinc-plated steel (CrVI-free)	●	●	●	●	●	●	●			●	●		
Stainless steel 1.4305								●	●			●	●

M

Pressure switches hex 27

Electrical values

0140 / 0141		
Rated working voltage U_e	Rated working current I_e	Usage category ¹⁾
250 VAC 50 / 60 Hz	2 A	AC 12
24 VDC	2 / 1 A	DC 12 / DC 13
50 VDC	1 / 0.5 A	DC 12 / DC 13
75 VDC	0.5 / 0.25 A	DC 12 / DC 13
125 VDC	0.2 / 0.1 A	DC 12 / DC 13
250 VDC	0.15 / 0.1 A	DC 12 / DC 13
Rated insulation voltage U_i :	300 V	
Rated impulse withstand voltage U_{imp} :	4 kV	
Conventional thermal current I_{the} :	5 A	
Switching overvoltage:	< 2.5 kV	
Rated frequency:	DC and 50/60Hz	
Nominal current of short-circuit mechanism:	to 3.5 A	
Rated short-circuit current:	< 350 A	
IP class of protection according to EN60529:1991+A1:1999:	IP65 with connector	
Tightening torque of terminal screws:	< 0.35 Nm	
Connector cross-section:	0.5 – 1.5 mm ²	

0170 / 0171 / 0180 / 0181 / 0183 / 0186 / 0187 / 0190 / 0191 / 0196 / 0197		
Rated working voltage U_e	Rated working current I_e	Usage category ¹⁾
250 VAC 50 / 60 Hz	4 A	AC 12
250 VAC 50 / 60 Hz	1 A	AC 14
24 VDC	4 / 2 A	DC 12 / DC 13
50 VDC	2 / 1 A	DC 12 / DC 13
75 VDC	1 / 0.5 A	DC 12 / DC 13
125 VDC	0.3 / 0.2 A	DC 12 / DC 13
250 VDC	0.25 / 0.2 A	DC 12 / DC 13
Rated insulation voltage U_i :	300 V	
Rated impulse withstand voltage U_{imp} :	2.5 kV	
Conventional thermal current I_{the} :	5 A	
Switching overvoltage:	< 2.5 kV	
Rated frequency:	DC and 50/60Hz	
Nominal current of short-circuit mechanism:	to 5 A	
Rated short-circuit current:	< 350 A	
IP-Protection class nach EN60529:1991+A1:1999:	IP65 with connector	

¹⁾ For technical explanations refer to page 9

0140 / 0141

Diaphragm / piston pressure switches 250 V

- Protection class 2, protective insulation
- Zinc-plated steel (CrVI-free)
- Changeover with silver contacts
- Overpressure safety up to 300 / 600 bar¹⁾
- Includes polyamide cap, protection class IP65

p _{max.} in bar	Adjustment range in bar	Tolerance in bar at room temperature	Male thread	Order number
-----------------------------	----------------------------	---	-------------	--------------

0140 Diaphragm pressure switches with screw terminals

p _{max.} in bar	Adjustment range in bar	Tolerance in bar at room temperature	Male thread	Order number
			G 1/4	0140 - 457 03 - X - 003
			NPT 1/8	0140 - 457 04 - X - 300
			NPT 1/4	0140 - 457 09 - X - 305
			7/16-20 UNF	0140 - 457 20 - X - 310
			9/16-18 UNF	0140 - 457 21 - X - 315
300 ¹⁾	0.3 - 1.5	± 0.2	G 1/4	0140 - 458 03 - X - 006
			NPT 1/8	0140 - 458 04 - X - 301
			NPT 1/4	0140 - 458 09 - X - 306
			7/16-20 UNF	0140 - 458 20 - X - 311
			9/16-18 UNF	0140 - 458 21 - X - 316
1 - 10	± 0.5	± 0.5	G 1/4	0140 - 459 03 - X - 009
			NPT 1/8	0140 - 459 04 - X - 302
			NPT 1/4	0140 - 459 09 - X - 307
			7/16-20 UNF	0140 - 459 20 - X - 312
			9/16-18 UNF	0140 - 459 21 - X - 317
10 - 20	± 1.0	± 1.0	G 1/4	0140 - 461 03 - X - 012
			NPT 1/8	0140 - 461 04 - X - 303
			NPT 1/4	0140 - 461 09 - X - 308
			7/16-20 UNF	0140 - 461 20 - X - 313
			9/16-18 UNF	0140 - 461 21 - X - 318
20 - 50	± 2.0	± 2.0	G 1/4	0141 - 460 03 - X - 003
			NPT 1/8	0141 - 460 04 - X - 304
			NPT 1/4	0141 - 460 09 - X - 309
			7/16-20 UNF	0141 - 460 20 - X - 314
			9/16-18 UNF	0141 - 460 21 - X - 319

0141 Piston pressure switches with screw terminals

p _{max.} in bar	Adjustment range in bar	Tolerance in bar at room temperature	Male thread	Order number
			G 1/4	0141 - 460 03 - X - 003
			NPT 1/8	0141 - 460 04 - X - 304
			NPT 1/4	0141 - 460 09 - X - 309
			7/16-20 UNF	0141 - 460 20 - X - 314
			9/16-18 UNF	0141 - 460 21 - X - 319

Seal material – Application areas

Seal material	Application areas	Code
NBR	Hydraulic/machine oil, heating oil, air, nitrogen, etc.	1
EPDM	Brake fluid, hydrogen, oxygen, acetylene, etc.	2
FKM	Hydraulic fluids (HFA, HFB, HFD), petrol/gasoline, etc.	3
HNBR	Hydraulic/machine oil, ester-based bio-oils	9

Refer to page 53 for the temperature range and application thresholds of sealing materials.

Your order number: **014X - XXX XX - X - XXX**

M.4

hex 27



¹⁾ Static value. Dynamic value is 30-50% lower. Values pertain to the hydraulic/pneumatic part of the pressure switch.

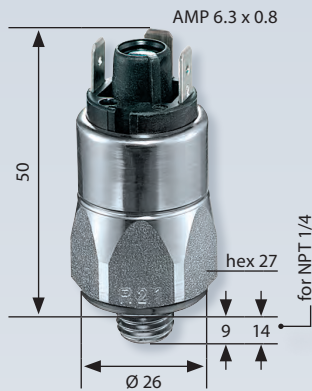
M.4

hex 27

0170 / 0171

Diaphragm / piston pressure switches up to 42 V

- Zinc-plated steel (CrVI-free)
- Changeover with silver contacts
- Overpressure safety up to 100/300/600 bar¹⁾
- Hysteresis adjustable at factory



p_{max} in bar	Adjustment range in bar	Tolerance in bar at room temperature	Male thread	Order number
------------------	-------------------------	--------------------------------------	-------------	--------------

0170 Diaphragm pressure switches with spade terminal

100 ¹⁾	0.3 – 1.5	± 0.2	G 1/4	0170 – 457 03 – X – 003
			M 10x1 con.	0170 – 457 01 – X – 001
			M 12x1.5 cyl.	0170 – 457 02 – X – 002
			NPT 1/8	0170 – 457 04 – X – 318
			NPT 1/4	0170 – 457 09 – X – 314
			7/16-20 UNF	0170 – 457 20 – X – 301
9/16-18 UNF	0170 – 457 21 – X – 302			
	1 – 10	± 0.5	G 1/4	0170 – 458 03 – X – 042
			M 10x1 con.	0170 – 458 01 – X – 040
			M 12x1.5 cyl.	0170 – 458 02 – X – 041
			NPT 1/8	0170 – 458 04 – X – 343
			NPT 1/4	0170 – 458 09 – X – 340
			7/16-20 UNF	0170 – 458 20 – X – 341
9/16-18 UNF	0170 – 458 21 – X – 342			
300 ¹⁾	10 – 50	± 3.0	G 1/4	0170 – 459 03 – X – 009
			M 10x1 con.	0170 – 459 01 – X – 007
			M 12x1.5 cyl.	0170 – 459 02 – X – 008
			NPT 1/8	0170 – 459 04 – X – 320
			NPT 1/4	0170 – 459 09 – X – 316
			7/16-20 UNF	0170 – 459 20 – X – 305
9/16-18 UNF	0170 – 459 21 – X – 306			
	10 – 100	± 3.0 – 5.0	G 1/4	0170 – 461 03 – X – 012
			M 10x1 con.	0170 – 461 01 – X – 010
			M 12x1.5 cyl.	0170 – 461 02 – X – 011
			NPT 1/8	0170 – 461 04 – X – 321
			NPT 1/4	0170 – 461 09 – X – 317
			7/16-20 UNF	0170 – 461 20 – X – 307
9/16-18 UNF	0170 – 461 21 – X – 308			

0171 Piston pressure switches with spade terminal

600 ¹⁾	50 – 200	± 5.0	G 1/4	0171 – 460 03 – X – 003
			M 10x1 con.	0171 – 460 01 – X – 001
			M 12x1.5 cyl.	0171 – 460 02 – X – 002
			NPT 1/8	0171 – 460 04 – X – 304
			NPT 1/4	0171 – 460 09 – X – 303
			7/16-20 UNF	0171 – 460 20 – X – 301
9/16-18 UNF	0171 – 460 21 – X – 302			

Seal material – Application areas

NBR	Hydraulic/machine oil, heating oil, air, nitrogen, etc.	1
EPDM	Brake fluid, hydrogen, oxygen, acetylene, etc.	2
FKM	Hydraulic fluids (HFA, HFB, HFD), petrol/gasoline, etc.	3
HNBR	Hydraulic/machine oil, ester-based bio-oils	9

Refer to page 53 for the temperature range and application thresholds of sealing materials.



Your order number:

017X – XXX XX – X – XXX



¹⁾ Static value. Dynamic value is 30-50 % lower. Values pertain to the hydraulic/pneumatic part of the pressure switch.

0180 / 0181

Diaphragm / piston pressure switches up to 250 V

- Zinc-plated steel (CrVI-free)
- Changeover with silver contacts
- Overpressure safety up to 100/300/600 bar¹⁾
- Hysteresis adjustable at factory

p _{max.} in bar	Adjustment range in bar	Tolerance in bar at room temperature	Male thread	Order number
-----------------------------	----------------------------	---	-------------	--------------

0180 Diaphragm pressure switches with spade terminal

p _{max.} in bar	Adjustment range in bar	Tolerance in bar at room temperature	Male thread	Order number	
100 ¹⁾	0.3 – 1.5	± 0.2	G 1/4	0180 – 457 03 – X – 003	
			M 10x1 con.	0180 – 457 01 – X – 001	
			M 12x1.5 cyl.	0180 – 457 02 – X – 002	
			NPT 1/8	0180 – 457 04 – X – 318	
			NPT 1/4	0180 – 457 09 – X – 314	
			7/16-20 UNF	0180 – 457 20 – X – 301	
			9/16-18 UNF	0180 – 457 21 – X – 302	
300 ¹⁾	1 – 10	± 0.5	G 1/4	0180 – 458 03 – X – 042	
			M 10x1 con.	0180 – 458 01 – X – 040	
			M 12x1.5 cyl.	0180 – 458 02 – X – 041	
			NPT 1/8	0180 – 458 04 – X – 343	
			NPT 1/4	0180 – 458 09 – X – 340	
			7/16-20 UNF	0180 – 458 20 – X – 341	
				9/16-18 UNF	0180 – 458 21 – X – 342
	10 – 50	± 3.0	G 1/4	0180 – 459 03 – X – 009	
			M 10x1 con.	0180 – 459 01 – X – 007	
			M 12x1.5 cyl.	0180 – 459 02 – X – 008	
			NPT 1/8	0180 – 459 04 – X – 320	
			NPT 1/4	0180 – 459 09 – X – 311	
7/16-20 UNF			0180 – 459 20 – X – 305		
			9/16-18 UNF	0180 – 459 21 – X – 306	
10 – 100	± 3.0 – 5.0	G 1/4	0180 – 461 03 – X – 012		
		M 10x1 con.	0180 – 461 01 – X – 010		
		M 12x1.5 cyl.	0180 – 461 02 – X – 011		
		NPT 1/8	0180 – 461 04 – X – 321		
		NPT 1/4	0180 – 461 09 – X – 317		
		7/16-20 UNF	0180 – 461 20 – X – 307		
			9/16-18 UNF	0180 – 461 21 – X – 308	

0181 Piston pressure switches with spade terminal

p _{max.} in bar	Adjustment range in bar	Tolerance in bar at room temperature	Male thread	Order number
600 ¹⁾	50 – 200	± 5.0	G 1/4	0181 – 460 03 – X – 003
			M 10x1 con.	0181 – 460 01 – X – 001
			M 12x1.5 cyl.	0181 – 460 02 – X – 002
			NPT 1/8	0181 – 460 04 – X – 304
			NPT 1/4	0181 – 460 09 – X – 303
			7/16-20 UNF	0181 – 460 20 – X – 301
			9/16-18 UNF	0181 – 460 21 – X – 302

Seal material – Application areas

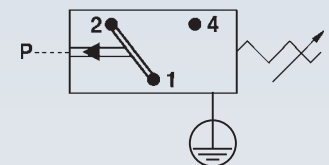
NBR	Hydraulic/machine oil, heating oil, air, nitrogen, etc.	1
EPDM	Brake fluid, hydrogen, oxygen, acetylene, etc.	2
FKM	Hydraulic fluids (HFA, HFB, HFD), petrol/gasoline, etc.	3
HNBR	Hydraulic/machine oil, ester-based bio-oils	9

Refer to page 53 for the temperature range and application thresholds of sealing materials.

Your order number: **018X – XXX XX – X – XXX**

M.4

hex 27

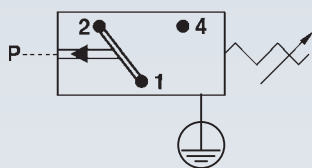


¹⁾ Static value. Dynamic value is 30-50% lower. Values pertain to the hydraulic/pneumatic part of the pressure switch.

M.4

hex 27

Thread similar to ISO 6149-3
(including O-ring for sealing)



0183

Piston pressure switches up to 250 V

- Zinc-plated steel (CrVI-free)
- Changeover with silver contacts
- Overpressure safety up to 600 bar¹⁾, Hysteresis adjustable at factory
- Adjustment range: 100 – 400 bar
- Height only 51 mm

p _{max.} in bar	Adjustment range in bar	Tolerance in bar at room temperature	Male thread	Order number
-----------------------------	----------------------------	---	-------------	--------------

0183 Piston pressure switches with spade terminal

600 ¹⁾	100 – 300	± 10.0	M 14x1.5 DIN 6149-3	0183 – 462 45 – X – 051
	200 – 400			0183 – 462 45 – X – 061

Seal material – Application areas

NBR	Hydraulic/machine oil, heating oil, air, nitrogen, etc.	1
EPDM	Brake fluid, hydrogen, oxygen, acetylene, etc.	2
FKM	Hydraulic fluids (HFA, HFB, HFD), petrol/gasoline, etc.	3
HNBR	Hydraulic/machine oil, ester-based bio-oils	9

Refer to page 53 for the temperature range and application thresholds of sealing materials.



Your order number: 0183 – 462 45 – X – XXX

¹⁾ Static value. Dynamic value is 30-50 % lower. Values pertain to the hydraulic/pneumatic part of the pressure switch.

Accessory ▶

Not included in the delivery.
Please order separately.

Order number ▶

Thread adapters

from M 14 x 1.5		
to G 1/4	to M12 x 1.5	to NPT 1/8
1-1-83-420-006	1-1-83-420-007	1-1-83-420-008

0186 / 0187

Diaphragm / piston pressure switches up to 250 V with stainless steel housing

- Stainless steel housing (1.4305 / AISI 303)
- Changeover with silver contacts
- Overpressure safety up to 300 / 600 bar¹⁾ (EPDM-W270 and silicone diaphragm up to 35 bar²⁾)
- Hysteresis adjustable at factory

p _{max.} in bar	Adjustment range in bar	Tolerance in bar at room temperature	Male thread	Order number
--------------------------	-------------------------	--------------------------------------	-------------	--------------

0186 Diaphragm pressure switches with spade terminal

300 ¹⁾⁺²⁾	0.5 – 5	± 0.3	G 1/4	0186 – 457 03 – X – 003
	1 – 10	± 0.5		0186 – 458 03 – X – 006
	10 – 50	± 3.0		0186 – 459 03 – X – 009
	10 – 100	± 3.0 – 5.0		0186 – 461 03 – X – 012

0187 Piston pressure switch with spade terminal

600 ¹⁾	50 – 200	± 5.0	G 1/4	0187 – 460 03 – X – 003
-------------------	----------	-------	-------	-------------------------

Seal material – Application areas

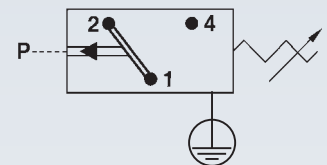
NBR	Hydraulic/machine oil, heating oil, air, nitrogen, etc.	1
EPDM	Brake fluid, hydrogen, oxygen, acetylene, etc.	2
EPDM-W270	Drinking water (only in diaphragm, p _{max} ≤ 35 bar)	5
FKM	Hydraulic fluids (HFA, HFB, HFD), petrol/gasoline, etc.	3
Silicone	Water, food products, air, etc. (only in diaphragm, p _{max} ≤ 35 bar)	8
HNBR	Hydraulic/machine oil, ester-based bio-oils	9

Refer to page 53 for the temperature range and application thresholds of sealing materials.

Your order number: 018X – XXX 03 – X – XXX

M.4

hex 27



¹⁾ Static value. Dynamic value is 30-50% lower. Values pertain to the hydraulic/pneumatic part of the pressure switch.

²⁾ Overpressure safety of diaphragm pressure switch up to 300 bar. Functional reliability only up to 35 bar with diaphragm materials EPDM-W270 and silicone.



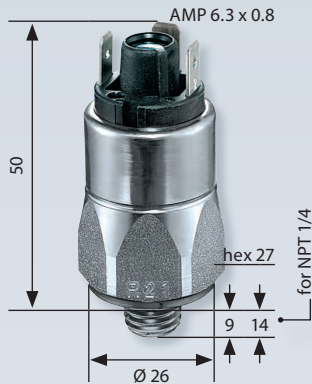
M.4

hex 27

0190 / 0191

Diaphragm / piston pressure switches up to 24 V with gold contacts

- Zinc-plated steel (CrVI-free), with spade terminal
- Changeover with gold contacts
- Overpressure safety up to 100/300/600 bar¹⁾
- Hysteresis adjustable at factory



$p_{max.}$ in bar	Adjustment range in bar	Tolerance in bar at room temperature	Male thread	Order number
----------------------	----------------------------	---	-------------	--------------

0190 Diaphragm pressure switches with spade terminal

100 ¹⁾	0.3 – 1.5	± 0.2	G 1/4	0190 – 457 03 – X – 003
			M 10x1 con.	0190 – 457 01 – X – 001
			M 12x1.5 cyl.	0190 – 457 02 – X – 002
			NPT 1/8	0190 – 457 04 – X – 318
			NPT 1/4	0190 – 457 09 – X – 314
			7/16-20 UNF	0190 – 457 20 – X – 301
			9/16-18 UNF	0190 – 457 21 – X – 302
	1 – 10	± 0.5	G 1/4	0190 – 458 03 – X – 042
			M 10x1 con.	0190 – 458 01 – X – 040
			M 12x1.5 cyl.	0190 – 458 02 – X – 041
			NPT 1/8	0190 – 458 04 – X – 343
			NPT 1/4	0190 – 458 09 – X – 340
			7/16-20 UNF	0190 – 458 20 – X – 341
			9/16-18 UNF	0190 – 458 21 – X – 342
300 ¹⁾	10 – 50	± 3.0	G 1/4	0190 – 459 03 – X – 009
			M 10x1 con.	0190 – 459 01 – X – 007
			M 12x1.5 cyl.	0190 – 459 02 – X – 008
			NPT 1/8	0190 – 459 04 – X – 320
			NPT 1/4	0190 – 459 09 – X – 316
			7/16-20 UNF	0190 – 459 20 – X – 305
			9/16-18 UNF	0190 – 459 21 – X – 306
	10 – 100	± 3.0 – 5.0	G 1/4	0190 – 461 03 – X – 012
			M 10x1 con.	0190 – 461 01 – X – 010
			M 12x1.5 cyl.	0190 – 461 02 – X – 011
			NPT 1/8	0190 – 461 04 – X – 321
			NPT 1/4	0190 – 461 09 – X – 317
			7/16-20 UNF	0190 – 461 20 – X – 307
			9/16-18 UNF	0190 – 461 21 – X – 308

0191 Piston pressure switches with spade terminal

600 ¹⁾	50 – 200	± 5.0	G 1/4	0191 – 460 03 – X – 003
			M 10x1 con.	0191 – 460 01 – X – 001
			M 12x1.5 cyl.	0191 – 460 02 – X – 002
			NPT 1/8	0191 – 460 04 – X – 304
			NPT 1/4	0191 – 460 09 – X – 303
			7/16-20 UNF	0191 – 460 20 – X – 301
			9/16-18 UNF	0191 – 460 21 – X – 302

Seal material – Application areas

NBR	Hydraulic/machine oil, heating oil, air, nitrogen, etc.	1
EPDM	Brake fluid, hydrogen, oxygen, acetylene, etc.	2
FKM	Hydraulic fluids (HFA, HFB, HFD), petrol/gasoline, etc.	3
HNBR	Hydraulic/machine oil, ester-based bio-oils	9

Refer to page 53 for the temperature range and application thresholds of sealing materials.



Your order number:

019X – XXX XX – X – XXX



¹⁾ Static value. Dynamic value is 30-50 % lower. Values pertain to the hydraulic/pneumatic part of the pressure switch.

0196 / 0197

Diaphragm / piston pressure switches up to 24 V with stainless steel housing

- Stainless steel housing (1.4305 / AISI 303)
- Fitted with changeover contact and gold contacts
- Overpressure safety up to 300 / 600 bar¹⁾ (EPDM-W270 and silicone diaphragm up to 35 bar²⁾)
- Hysteresis adjustable at factory

p _{max.} in bar	Adjustment range in bar	Tolerance in bar at room temperature	Male thread	Order number
-----------------------------	----------------------------	---	-------------	--------------

0196 Diaphragm pressure switches with spade terminal

300 ¹⁾⁺²⁾	0.5 – 5	± 0.3	G 1/4	0196 – 457 03 – X – 003
	1 – 10	± 0.5		0196 – 458 03 – X – 006
	10 – 50	± 3.0		0196 – 459 03 – X – 009
	10 – 100	± 3.0 – 5.0		0196 – 461 03 – X – 012

0197 Piston pressure switches with spade terminal

600 ¹⁾	50 – 200	± 5.0	G 1/4	0197 – 460 03 – X – 003
-------------------	----------	-------	-------	-------------------------

Seal material – Application areas

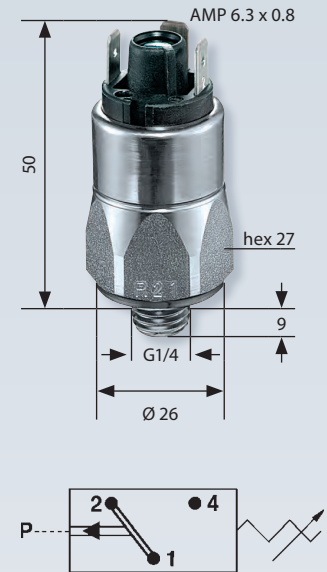
NBR	Hydraulic/machine oil, heating oil, air, nitrogen, etc.	1
EPDM	Brake fluid, hydrogen, oxygen, acetylene, etc.	2
EPDM-W270	Drinking water (only in diaphragm, p _{max} ≤ 35 bar)	5
FKM	Hydraulic fluids (HFA, HFB, HFD), petrol/gasoline, etc.	3
Silicone	Water, food products, air, etc. (only in diaphragm, p _{max} ≤ 35 bar)	8
HNBR	Hydraulic/machine oil, ester-based bio-oils	9

Refer to page 53 for the temperature range and application thresholds of sealing materials.

Your order number: **019X – XXX 03 – X – XXX**

M.4

hex 27



¹⁾ Static value. Dynamic value is 30-50 % lower. Values pertain to the hydraulic/pneumatic part of the pressure switch.

²⁾ Overpressure safety of diaphragm pressure switch up to 300 bar. Functional reliability only up to 35 bar with diaphragm materials EPDM-W270 and silicone.



M.5

hex 24 / 27
Ready-wired

hex 24 / hex 27 ready-wired pressure switches

Custom designs



- Ready-wired pressure switches hex 24 and hex 27, available with all commercial plug-in types and individual cable length.
- The technical details of ready-wired pressure switch types correspond to those of the same standard pressure switch types. Different technical details will be agreed with the customer.
- Pressure switches usually have protection class IP65. Our ready-wired pressure switches attain IP67 or IP6K9K. This is a requirement particularly in commercial vehicle construction, mobile hydraulics and similarly demanding applications.
- Ready-wired pressure switches enable plug connectors to be moved in climatically non-critical and low-vibration areas.
- The modular layout also enables the production of lower volumes.
- The switching point for ready-wired pressure switches is factory-set to a fixed value.
Exception: The switching point of the 0240/0241 can be adjusted on site even after the sealing process.

hex 24 / 27

Custom designs

All hex 24 and hex 27 pressure switches can be individually wired according to customer needs.

M.5

hex 24 / 27
Ready-wired



Standard types suitable for ready-wiring

<p>0163 / 0166 0164 0167 0169</p>	<p>0168</p>	<p>0170 / 0171 0180 / 0181 0190 / 0191 0196 / 0197</p>	<p>0140 / 0141</p>
			
<p>Technical details page 41</p>	<p>Technical details page 41</p>	<p>Technical details page 53</p>	<p>Technical details page 53</p>
<p>The switching point is factory preset and cannot be changed subsequently, so please state the switching point when ordering.</p>			<p>The switching point is adjustable even after sealing.</p>

Please note our detailed information on

- CE marking
- protection class
- custom applications

in the general technical explanations on page 14, and the technical explanations on mechanical pressure switches on page 17.

A selection from the wide variety of connectors we can supply

<p>Connector to DIN 72585-A1-4.1</p>	
<p>AMP Junior Timer®</p>	
<p>Cannon connector</p>	
<p>AMP Superseal 1.5®</p>	
<p>Packard connector (Weather Pack® 2-wire)</p>	
<p>Packard connector (Weather Pack® 3-wire)</p>	
<p>Deutsch connector (DT 06 - 2S)</p>	
<p>Deutsch connector (DT 04 - 2P)</p>	
<p>Deutsch connector (DT 04 - 3P)</p>	



Technical data

Refer to page 54 for electrical values

Rated working voltage:	max. 42 V / 250 V depending on connection
Rated working current:	max. 2 A
Protection class:	2, protective insulation <input type="checkbox"/>
Temperature resistance of sealing materials:	NBR -40°C ... +100°C
	EPDM -30°C ... +120°C
	FKM (in diaphragm pressure switch) -5°C ... +120°C
	FKM (in piston pressure switch) -15°C ... +120°C
	Silicone -40°C ... +120°C
	HNBR -30°C ... +120°C
Switching frequency:	200 / min.
Mechanical life expectancy:	1,000,000 cycles (for diaphragm pressure switches, life expectancy value only applies for switching pressures to max. 50 bar)
Pressure rise rate:	≤ 1 bar/ms
Hysteresis:	Average value 10 – 20 % (not adjustable)
Vibration resistance:	10 g / 5 – 200 Hz sine wave, DIN EN 60068-2-6
Shock resistance:	294 m/s ² ; 14 ms half sine wave, DIN EN 60068-2-6
Materials:	Housing material: zinc-plated steel Protective cap: anodised aluminium
Protection class:	IP67
Cable:	Standard length 2 m with wire end sleeves
Weight:	approx. 120 g

Options for 0240 / 0241

- Other cable lengths and plug-in systems
- Fixed switching point, factory-set, set point embossed on housing
- Alternative housing materials and connection threads
- Other sealing materials, such as silicone for diaphragm pressure switches

0240 / 0241

Diaphragm / piston pressure switches, hex 27

- Zinc-plated steel (CrVI-free)
- Overpressure safety up to 300 / 600 bar ¹⁾
- Switching point can also be adjusted during use
- Protection class 2, protective insulation

p _{max.} in bar	Adjustment range in bar	Tolerance in bar at room temperature	Male thread	Order number
-----------------------------	----------------------------	---	-------------	--------------

0240 Diaphragm pressure switches

p _{max.} in bar	Adjustment range in bar	Tolerance in bar at room temperature	Male thread	Order number
			G 1/4	0240 - 457 03 - X - 003
			NPT 1/8	0240 - 457 04 - X - 300
			NPT 1/4	0240 - 457 09 - X - 305
			7/16-20 UNF	0240 - 457 20 - X - 310
			9/16-18 UNF	0240 - 457 21 - X - 315
300 ¹⁾	0.3 - 1.5	± 0.2	G 1/4	0240 - 458 03 - X - 006
			NPT 1/8	0240 - 458 04 - X - 301
			NPT 1/4	0240 - 458 09 - X - 306
			7/16-20 UNF	0240 - 458 20 - X - 311
			9/16-18 UNF	0240 - 458 21 - X - 316
	1 - 10	± 0.5	G 1/4	0240 - 459 03 - X - 009
			NPT 1/8	0240 - 459 04 - X - 302
			NPT 1/4	0240 - 459 09 - X - 307
			7/16-20 UNF	0240 - 459 20 - X - 312
			9/16-18 UNF	0240 - 459 21 - X - 317
	10 - 20	± 1.0	G 1/4	0240 - 461 03 - X - 012
			NPT 1/8	0240 - 461 04 - X - 303
			NPT 1/4	0240 - 461 09 - X - 308
			7/16-20 UNF	0240 - 461 20 - X - 313
			9/16-18 UNF	0240 - 461 21 - X - 318
	20 - 50	± 2.0	G 1/4	
			NPT 1/8	
			NPT 1/4	
			7/16-20 UNF	
			9/16-18 UNF	

0241 Piston pressure switches

p _{max.} in bar	Adjustment range in bar	Tolerance in bar at room temperature	Male thread	Order number
			G 1/4	0241 - 460 03 - X - 003
			NPT 1/8	0241 - 460 04 - X - 304
			NPT 1/4	0241 - 460 09 - X - 309
			7/16-20 UNF	0241 - 460 20 - X - 314
			9/16-18 UNF	0241 - 460 21 - X - 319

Seal material – Application areas

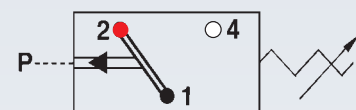
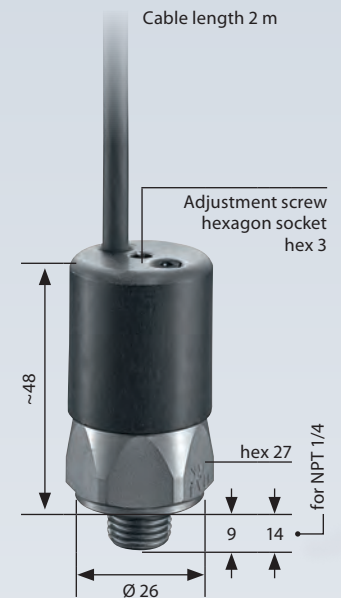
Seal material	Application areas	Order number
NBR	Hydraulic/machine oil, heating oil, air, nitrogen, etc.	1
EPDM	Brake fluid, hydrogen, oxygen, acetylene, etc.	2
FKM	Hydraulic fluids (HFA, HFB, HFD), petrol/gasoline, etc.	3
HNBR	Hydraulic/machine oil, ester-based bio-oils	9

Refer to page 64 for the temperature range and application thresholds of sealing materials.

Your order number: **024X - XXX XX - X - XXX**

M.5

hex 24 / 27
Ready-wired



Contact assignment:

- 1 = Black
- 2 = Red
- 4 = White

¹⁾ Static value. Dynamic value is 30-50% lower. Values pertain to the hydraulic/pneumatic part of the pressure switch.



Pressure switches **PLUS** with integrated connector and supplementary functions

Hex 24, NC or NO, voltage up to 42 V



Intelligent, supplementary electronic functions broaden the capabilities of mechanical pressure switches by adding numerous features:

- Diagnostic function (fail-safe) with short-circuit and cable break detection
- Overvoltage protection for prolonging the contact service life
- Active reduction of EMC emissions
- Temperature-controlled switching function (e.g. cold start, i.e. switching function does not become active until from a certain temperature)
- In-rush current limitation (overload limitation of switching contacts from too high a switch loading, e.g. lamp load, motor start-up)
- Display of the switching status with LED
- Overload protection with self-resetting electrical fuse
- High protection class to IP67 and IP6K9K
- Large selection of electrical plug-in types for quick installation and reliable connection
- Switching point can be set on site with adjusting screw in the connector¹⁾

Overview of possible supplementary functions

Circuit	Switch symbol	Function	Application	Code for order number
Resistor Resistor circuit to NAMUR, refer to page 68		<ul style="list-style-type: none"> Diagnostic function (fail-safe) with short-circuit and cable break detection 	Safety systems such as brake systems, hydrostatic steering systems and fire extinguisher systems	04XX - R
Varistor Circuit with varistor for overvoltage limitation, refer to page 69		<ul style="list-style-type: none"> Overvoltage protection for the prolonging of contact service life under conditions of inductive load and long connection length Active reduction of EMC emissions on switching of the pressure switch 	The flyback voltage is effectively limited if the pressure switch interrupts the current in circuits with magnetic valves, relays or motors	04XX - V
NTC thermistor		<ul style="list-style-type: none"> Temperature-controlled switch behaviour (e.g. filter monitoring) In-rush current limitation, e.g. for motors ("soft start") and in PSUs On-delay (in series) and dropout delay (in parallel) for relays 	For a cold start in a mobile hydraulic application, a pressure switch used for filter monitoring may activate due to the high viscosity of the oil at low temperatures, and signals a blocked filter. The NTC thermistor integrated in the pressure switch means the circuit remains interrupted until the pressure switch, and so also the thermistor, have warmed up; not until then does the circuit become low impedance.	04XX - N
PTC thermistor		<ul style="list-style-type: none"> Protection against overcurrent In-rush current limitation, such as for filament lamps and condenser load 	E.g. brake light monitoring in mobile hydraulics: The in-rush current can be up to 8 times the nominal current of a filament lamp. This high current is only reduced at the moment of switch-on, thereby protecting the contact system of the pressure switch from overload.	04XX - P
LED		<ul style="list-style-type: none"> Displays the switching status of the integrated LED 	Direct switching status display for applications in which the controller is physically remote; e.g. in an automation system or permanently installed extinguishing or gas systems.	04XX - L
Multifuse, PPTC		<ul style="list-style-type: none"> Displays the switching status of the integrated LED Protection against overcurrent Self-resetting: After removing the short-circuit (cooling the MF) the fuse resets 	In applications which need to be protected against overcurrent e.g. electronic applications	04XX - M

¹⁾ Pressure switches can also be supplied preset at factory.
The switching point is embossed onto pressure switches preset at factory.

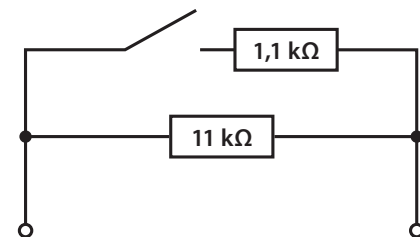
M.6 Pressure switches *PLUS*

PS *PLUS*
hex 24

Resistor circuit to NAMUR
(pressure switches with part numbers 04XX-R)

The additional circuitry of the switching contact of the pressure switch enables not only the states to be shown enabled and disabled, it also enables interrogation for line breaks (standby current principle) and short-circuits in the electric circuit.

The resistor circuitry is designed such that the NAMUR specifications can be satisfied. An operating voltage of 8.2 V must be provided for NAMUR-compliant operation. A resistance of 11 kΩ is present in the circuit when the switch contact is open. The resistance is 1 kΩ when the switch contact is closed. Other resistance values can also be realised.



Switching status	Closed	Open	Short-circuit SC	Line break LB
Contact				
Resistor				
Current				

Technical data	
Rated working voltage U_{cc} :	8.2 VDC ... 30 VDC
Maximum rated operating current:	≤ 30 mA
Switching capacity:	< 1 W
Switching frequency:	200 / min.
Mechanical and electrical service life:	1,000,000 cycles
Permitted pressure rise rate:	≤ 1 bar / ms
Vibration resistance:	10 g; 5 – 200 Hz sine wave; DIN EN 60068-2-6
Shock resistance:	294 m/s ² ; 14 ms half sine wave; DIN EN 60068-2-27
Protection class:	Refer to the table on the following pages: According to manufacturer specifications for the respective plug-in system (but only when plugged in), otherwise IP00.

Circuit with varistor for overvoltage limitation (pressure switches with part numbers 04XX-V)

The switching off of inductive consumers such as valves, relays and motors by a mechanical pressure switch generates a high voltage peak. The cause for this is the energy stored in the magnetic field of inductance, which entails an induction voltage when the current is changed.

The induction voltage (or flyback voltage) is defined as follows:

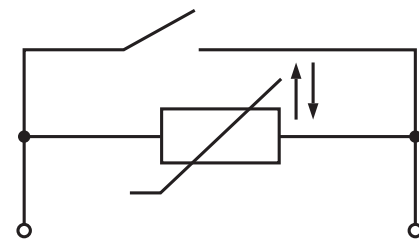
$$U_L = -L \frac{di}{dt}$$

where L inductance
 di/dt change of current over time

This induction voltage can result in discharge effects and the occurrence of arcs at the opening contacts. This gives rise to localised, very hot places on the contact surfaces which are able to fuse the contact material. Increasing load damages the contact surface and the contact transition resistance rises. This can result in sporadic interruption, adhesion and welding of the contacts, and so lead to complete failure of the pressure switch.

The effect of induction voltage is countered by means of a varistor – a resistor which reduces its ohmic resistance with increasing connection voltage. The induction voltage is limited to the responding value of the varistor, and the energy is converted to heat in the varistor.

Varistors are suitable for DC and AC in equal measure. In DC circuits, the response voltage of the varistor must be greater than the highest value of the supply voltage. In AC circuits, it must be 1.5 times the peak-peak value of the supply voltage.



Technical data	
Rated operating voltage U _{cc} :	10 V ... 24 ... 30 VDC / 10 V ... 21 VAC
Rated operating current, ohmic load DC12 / AC12:	10 mA ... 4 A
Rated operating current, inductive load DC13 / AC13:	10 mA ... 1 A
AC / DC switching capacity:	< 100 W / 100 VA
Switching frequency:	200 / min.
Varistor response voltage:	41 VDC ± 10 % @ 1 mA
Maximum varistor energy:	0.4 J (10/1000 µs); 0.3 J (2 ms)
Maximum varistor peak current:	120 A (8/20 µs, one-off loading), 60 A (8/20 µs, dual loading)
Mechanical service life:	1,000,000 cycles
Permitted pressure rise rate:	≤ 1 bar / ms
Vibration resistance:	10 g; 5 – 200 Hz sine wave; DIN EN 60068-2-6
Shock resistance:	294 m/s ² ; 14 ms half sine wave; DIN EN 60068-2-27
Protection class:	Refer to the table on the following pages: According to manufacturer specifications for the respective plug-in system (but only when plugged in), otherwise IP00.

M.6

PS PLUS hex 24

0410 / 0412 / 0414 / 0416 / 0418 / 0424

Diaphragm pressure switches, up to 42 V
with supplementary functions

- Zinc-plated steel (CrVI-free)
- Overpressure safety up to 300 bar¹⁾ (footnote see next page)

Plug-in types for diaphragm pressure switches

	0410/0411 Deutsch DT04-2P IP67, IP6K9K
	0412/0413 AMP Superseal 1.5° IP67
	0414/0415 Packard MetriPack 280° IP67
	0416/0417 Deutsch DT04-3P IP67, IP6K9K
	0418/0419 AMP Junior Timer® IP65, IPx4K
	0424/0425 M12x1 DIN EN 61076-2-101-1 IP67

Deutsch DT04-2P	0410 - XXX XX - X - 001	0410 - XXX XX - X - 002
AMP Superseal 1.5°	0412 - XXX XX - X - 001	0412 - XXX XX - X - 002
Packard MetriPack 280°	0414 - XXX XX - X - 001	0414 - XXX XX - X - 002
Deutsch DT04-3P	0416 - XXX XX - X - 001	0416 - XXX XX - X - 002
AMP Junior Timer®	0418 - XXX XX - X - 001	0418 - XXX XX - X - 002
M12x1 DIN EN 61076-2-101-1	0424 - XXX XX - X - 001	0424 - XXX XX - X - 002

Adjustment range (tolerance at room temperature)	Male thread	Order number NO → :	Order number NC → :
---	-------------	-------------------------	------------------------

04XX Diaphragm pressure switches

0.1 – 1 (±0.2) bar	G 1/4	04XX - X 03 03 - X - 001	04XX - X 04 03 - X - 002
	G 1/8	04XX - X 03 28 - X - 001	04XX - X 04 28 - X - 002
	M 10x1 cyl.	04XX - X 03 13 - X - 001	04XX - X 04 13 - X - 002
	M 10x1 con.	04XX - X 03 01 - X - 001	04XX - X 04 01 - X - 002
	M 12x1.5 cyl.	04XX - X 03 02 - X - 001	04XX - X 04 02 - X - 002
0.5 – 3 (±0.3) bar	NPT 1/8	04XX - X 03 04 - X - 001	04XX - X 04 04 - X - 002
	G 1/4	04XX - X 23 03 - X - 001	04XX - X 24 03 - X - 002
	G 1/8	04XX - X 23 28 - X - 001	04XX - X 24 28 - X - 002
	M 10x1 cyl.	04XX - X 23 13 - X - 001	04XX - X 24 13 - X - 002
	M 10x1 con.	04XX - X 23 01 - X - 001	04XX - X 24 01 - X - 002
1 – 10 (±0.5) bar	M 12x1.5 cyl.	04XX - X 23 02 - X - 001	04XX - X 24 02 - X - 002
	NPT 1/8	04XX - X 23 04 - X - 001	04XX - X 24 04 - X - 002
	G 1/4	04XX - X 07 03 - X - 001	04XX - X 08 03 - X - 002
	G 1/8	04XX - X 07 28 - X - 001	04XX - X 08 28 - X - 002
	M 10x1 cyl.	04XX - X 07 13 - X - 001	04XX - X 08 13 - X - 002
	M 10x1 con.	04XX - X 07 01 - X - 001	04XX - X 08 01 - X - 002
	M 12x1.5 cyl.	04XX - X 07 02 - X - 001	04XX - X 08 02 - X - 002
	NPT 1/8	04XX - X 07 04 - X - 001	04XX - X 08 04 - X - 002

Supplementary functions

Resistor	Diagnostics function	R XX XX
Varistor	Overvoltage protection	V XX XX
NTC thermistor	Filter monitoring	N XX XX
PTC thermistor	Overcurrent protection	P XX XX
LED	Display	L XX XX
Multifuse, PPTC	Overcurrent protection	M XX XX

Seal material – Application areas

NBR	Hydraulic/machine oil, heating oil, air, nitrogen, etc.	1
EPDM	Brake fluid, hydrogen, oxygen, acetylene, etc.	2
FKM	Hydraulic fluids (HFA, HFB, HFD), petrol/gasoline, etc.	3
HNBR	Hydraulic/machine oil, ester-based bio-oils	9

Refer to page 41 for the temperature range and application thresholds of sealing materials.

Your order number:

04XX - XXX XX - X - 00X



PS PLUS

Plug-in types for diaphragm and piston pressure switches

M.6

PS PLUS hex 24



Technical data of plug-in types

0410 / 0411	0412 / 0413	0414 / 0415
Deutsch DT04-2P	AMP Superseal 1.5®	Packard MetriPack 280®
IP67, IP6K9K	IP67	IP67
H ≈ 61 mm	H ≈ 61 mm	H ≈ 62 mm

0416 / 0417	0418 / 0419	0424 / 0425
Deutsch DT04-3P	AMP Junior Timer®	M12x1 DIN EN 61076-2-101-1
IP67, IP6K9K	IP65, IPx4K	IP67
H ≈ 63 mm	H ≈ 54 mm	H ≈ 51 mm

◀ Model / type

◀ Connector

◀ Protection class

◀ Overall height

◀ Contact assignment

◀ Model / type

◀ Connector

◀ Protection class

◀ Overall height

◀ Contact assignment



Pressure switches 30 A/F

Changeover with silver contacts



- Attachment options for wall fitting and block style enable clearly structured, accessible, easy-maintenance installation
- Switching pressure can be adjusted easily by user
- High overpressure safety
- Socket devices enable simple installation on the machine

Pressure switches 30 A/F

Technical data

M.7

30 A/F

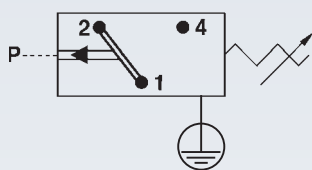
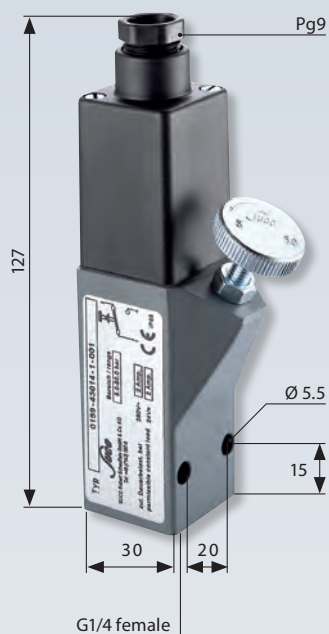


Temperature resistance of sealing materials:	NBR	-40 °C ... +100 °C
	EPDM	-30 °C ... +120 °C
	FKM (in diaphragm pressure switch)	-5 °C ... +120 °C
	FKM (in piston pressure switch)	-15 °C ... +120 °C
Switching frequency:	200 / min.	
Mechanical life expectancy:	1,000,000 cycles (for diaphragm pressure switches, life expectancy value only applies for switching pressures up to 50 bar)	
Pressure rise rate:	≤ 1 bar / ms	
Hysteresis:	Typ 0159:	approx. 10 ... 30 % (not adjustable)
	Typ 0161, 0162, 0175:	approx. 10 ... 30 % (factory adjustable)
Vibration resistance:	10 g; 5 ... 200 Hz sine wave; DIN EN 60068-2-6	
Shock resistance:	294 m/s ² ; 14 ms half sine wave; DIN EN 60068-2-27	
Housing material:	Aluminium	
Protection class:	IP65 with Socket device fitted	
Weight:	Typ 0159, 0161, 0162:	approx. 240 g
	Typ 0175:	approx. 310 g

Electrical values	0159	0161 / 0162 / 0175
Rated working voltage U_e	Rated working current I_e	
250 VAC 50 / 60 Hz, AC 12	2.5 A	5 A
250 VAC 50 / 60 Hz, AC 14	1 A	1 A
24 VDC, DC 12/DC 13	2/2 A	3.5/3.5 A
50 VDC, DC 12/DC 13	1/0.5 A	2/1 A
75 VDC, DC 12/DC 13	0.75/0.4 A	1/0.5 A
125 VDC, DC 12/DC 13	0.3/0.2 A	0.3/0.2 A
250 VDC, DC 12/DC 13	0.3/0.2 A	0.25/0.2 A
Rated insulation voltage U_i :	300 V	
Rated impulse withstand voltage U_{imp} :	2.5 kV	
Conventional thermal current I_{the} :	6 A	
Switching overvoltage:	< 2.5 kV	
Rated frequency:	DC and 50/60 Hz	
Nominal current of short-circuit mechanism:	to 2.5 A	to 6.3 A
Conditional short-circuit current:	< 350 A	
Tightening torque of terminal screws:	< 0.35 Nm	
Connector cross-section:	0.5 – 1.5 mm ²	



M



0159

Diaphragm / piston pressure switch up to 250 V

- Aluminium housing
- Changeover with silver contacts
- Overpressure safety up to 200 / 600 bar¹⁾
- Switching point continuously adjustable by turning knurled screw whilst system in operation

p _{max.} in bar	Adjustment range in bar	Tolerance in bar at room temperature	Thread	Order number:
-----------------------------	----------------------------	---	--------	---------------

With female thread

0159 Diaphragm pressure switches

200 ¹⁾	0.2 – 2	± 0.2 – 0.3	G 1/4 female	0159 – 426 14 – X – 001
	0.5 – 5	± 0.2 – 0.5		0159 – 427 14 – X – 001
	1 – 10	± 0.5		0159 – 428 14 – X – 001
	2 – 20	± 1.0		0159 – 429 14 – X – 001
	5 – 50	± 3.0		0159 – 430 14 – X – 001
	10 – 100	± 3.0 – 5.0		0159 – 431 14 – X – 001

0159 Piston pressure switches

600 ¹⁾	10 – 100	± 3.0 – 5.0	G 1/4 female	0159 – 432 14 – X – 001
	25 – 250	± 5.0 – 7.0		0159 – 433 14 – X – 001
	40 – 400	± 5.0 – 9.0		0159 – 434 14 – X – 001

Seal material – Application areas

NBR	Hydraulic/machine oil, heating oil, air, nitrogen, etc.	1
EPDM	Brake fluid, hydrogen, oxygen, acetylene, etc.	2
FKM	Hydraulic fluids (HFA, HFB, HFD), petrol/gasoline, etc.	3

Refer to page 75 for the temperature range and application thresholds of sealing materials



Your order number: **0159 – XXX 14 – X – XXX**

¹⁾ Static value. Dynamic value is 30-50 % lower. Values pertain to the hydraulic/pneumatic part of the pressure switch.

0161 / 0162

Diaphragm / piston pressure switches up to 250 V

- Aluminium housing
- Changeover with silver contacts
- Overpressure safety up to 200 / 600 bar¹⁾
- Socket device similar to DIN EN 175301 (DIN 43650)
- Hysteresis adjustable at factory

P _{max.} in bar	Adjustment range in bar	Tolerance in bar at room temperature	Dimension A in mm	Order number:
-----------------------------	----------------------------	---	----------------------	---------------

With female G 1/4 thread

0161 Diaphragm pressure switches

200 ¹⁾	0.5 – 1	±0.2	15	0161 – 436 14 – X – 001
	0.5 – 5	±0.2 – 0.5		0161 – 437 14 – X – 001
	1 – 10	±0.5		0161 – 438 14 – X – 001
	10 – 50	±3.0		0161 – 439 14 – X – 001
	50 – 100	±3.0 – 5.0		0161 – 440 14 – X – 001

0161 Piston pressure switches

600 ¹⁾	100 – 400	±5.0 – 9.0	0161 – 441 14 – X – 001
-------------------	-----------	------------	-------------------------

Block style (with O-ring NBR 5 x 1.5 mm)

0162 Diaphragm pressure switches

200 ¹⁾	0.5 – 1	±0.2	15	0162 – 436 14 – X – 001
	0.5 – 5	±0.2 – 0.5		0162 – 437 14 – X – 001
	1 – 10	±0.5		0162 – 438 14 – X – 001
	10 – 50	±3.0		0162 – 439 14 – X – 001
	50 – 100	±3.0 – 5.0		0162 – 440 14 – X – 001

0162 Piston pressure switches

600 ¹⁾	100 – 400	±5.0 – 9.0	19.5	0162 – 441 14 – X – 001
-------------------	-----------	------------	------	-------------------------

Seal material – Application areas

NBR	Hydraulic/machine oil, heating oil, air, nitrogen, etc.	1
EPDM	Brake fluid, hydrogen, oxygen, acetylene, etc.	2
FKM	Hydraulic fluids (HFA, HFB, HFD), petrol/gasoline, etc.	3

Refer to page 75 for the temperature range and application thresholds of sealing materials

Your order number: **016X – XXX 14 – X – XXX**

1 Adjusting the set point

To adjust the set point, undo the locknut and adjust the set screw using a screwdriver. Clockwise screwing increases the switching pressure. After adjusting, tighten the locknut again.

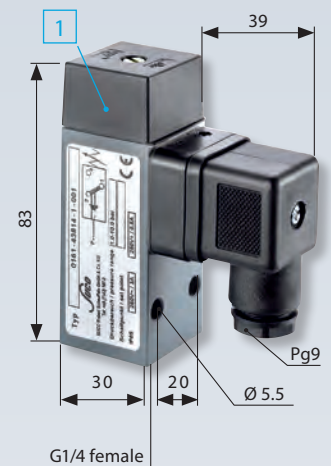
¹⁾ Static value. Dynamic value is 30-50% lower. Values pertain to the hydraulic/pneumatic part of the pressure switch.

M.7

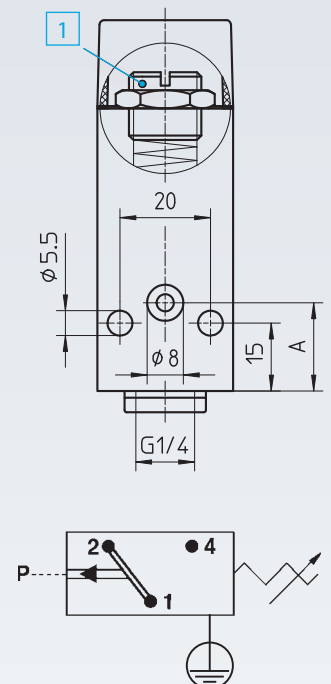
30 A/F

suco

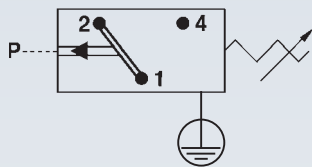
0161 with female thread



0162 Block style



M



0175

Diaphragm pressure switches up to 250 V

- For low pressure, high accuracy
- Aluminium housing
- Changeover with silver contacts
- Overpressure safety up to 25 bar¹⁾
- Socket device similar to DIN EN 175301 (DIN 43650)
- Hysteresis adjustable at factory

$P_{max.}$ in bar	Adjustment range in bar	Tolerance in bar at room temperature	Thread	Order number
----------------------	----------------------------	---	--------	--------------

With female thread

0175 Diaphragm pressure switches

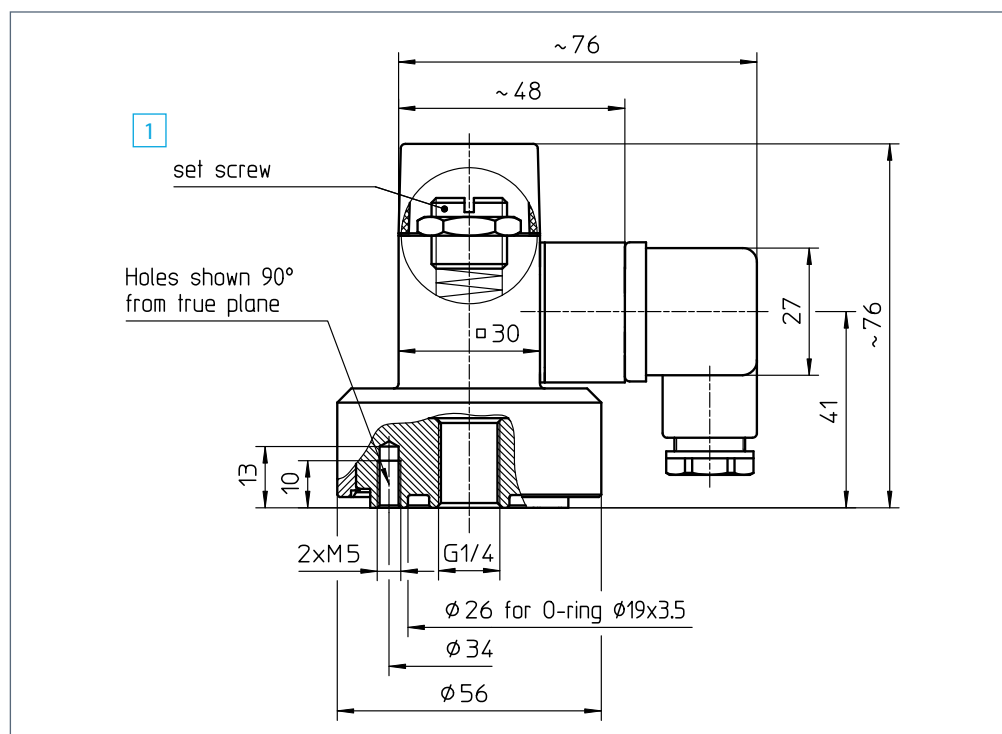
25 ¹⁾	0.1 – 1	± 0.1 – 0.2	G 1/4 female	0175 – 435 14 – 1 – 001
------------------	---------	-------------	--------------	-------------------------

Seal material – Application areas

NBR	Hydraulic/machine oil, heating oil, air, nitrogen, etc.
	Temperature resistance: -30°C ... +100°C

Your order number:

0175 – 435 14 – 1 – 001



1 Adjusting the set point

To adjust the set point, undo the locknut and adjust the set screw using a screwdriver. Clockwise screwing increases the switching pressure. After adjusting, tighten the locknut again.

¹⁾ Static value. Dynamic value is 30-50 % lower. Values pertain to the hydraulic/pneumatic part of the pressure switch.

M.8

ATEX

Explosion-protected pressure switches

To ATEX standard



- ATEX-certification for use in potentially explosive areas
- Switching point can be easily adjusted by the user whilst system is in operation
- Compact design
- Excellent price/performance ratio

Explosion-protected pressure switches

Technical data

M.8

ATEX



Technical explanations

Explosion-protected pressure switches are classified according to the respective combustible material type. This division is:

Gases and vapours 0165	Dusts 0340/0341	Methane dust not suitable
----------------------------------	---------------------------	-------------------------------------

Our pressure switches are generally designed for use with gases, vapours or dust.

Our explosion-protected pressure switches are not approved for use with methane dust (mining applications).

The table provides an overview of the zone divisions, equipment groups and equipment categories.

Conditions in potentially explosive atmosphere

Com- bustible materials	Temporary behaviour of combustible materials in potentially explosive area	Categori- sation of potentially explosive areas	Marking required on equipment to be used	
			Equipment group	Equipment category
Gases Vapours	are present continually, frequently or for long periods	Zone 0	II	1G
	occur occasionally	Zone 1	II	2G or 1G
	are unlikely to occur, and if so, are then only seldom or for short periods	Zone 2	II	3G or 2G or 1G
Dusts	are present continually, frequently or for long periods	Zone 20	II	1D
	occur occasionally	Zone 21	II	2D or 1D
	occur if accumulated dust is whirled up, and then only seldom or for short periods	Zone 22	II	3D or 2D or 1D
Methane dust	-	Mining industry	I	M1
	-	Mining industry	I	M1 or M2



Explosion-protected pressure switches

Technical data

Type:	0165	0340 / 0341	
ATEX protection zone:	1 and 2	22	
Combustible Material:	Gases and vapours	Dusts	
Rated working voltage:	10 ... 250 VAC	10 ... 250 VDC	10 ... 250 VAC
Rated working current:	10 mA ... 1 A	10 mA ... 250 mA	10 mA ... 2 A
Temperature resistance:	NBR	-20 °C ... +80 °C	
	EPDM	-20 °C ... +80 °C	
	FKM (in diaphragm pressure switch)	-5 °C ... +80 °C	
	FKM (in piston pressure switch)	-15 °C ... +80 °C	
Switching frequency:	200 / min.		
Mechanical life expectancy:	1,000,000 cycles		
Pressure rise rate:	≤ 1 bar/ms		
Hysteresis:	10 ... 30 % (depending on type, non-adjustable)		
Vibration resistance:	10 g; 5 ... 200 Hz sine wave; DIN EN 60068-2-6		
Shock resistance:	294 m/s ² ; 14 ms half sine wave; DIN EN 60068-2-27		
Cable length:	Standard length approx. 2m with wire end sleeve, also available in lengths of approx. 5m.		
Cable cross-section:	3 x 0.75 mm ²		3 x 0.5 mm ²
Housing material:	Aluminium		Zinc-plated steel (CrVI-free) anodised aluminium
Protection class:	IP65		
Weight:	approx. 380 g		approx. 230 g

0165

Diaphragm / piston pressure switches up to 250 V

ATEX 0102 CE II 2G Ex d II C T6 / T5 X (gas-protected zones 1 and 2)

- Aluminium housing
- Changeover with silver contacts
- Operating voltage up to 250 V
- Overpressure safety up to 200 / 600 bar¹⁾

p _{max.} in bar	Adjustment range in bar	Tolerance in bar at room temperature	Thread	Order number
-----------------------------	----------------------------	---	--------	--------------

0165 Diaphragm pressure switches

200 ¹⁾	1 – 6	± 0.5	G 1/4 female	0165 – 448 14 – X – 001
	5 – 50	± 3.0		0165 – 449 14 – X – 001

0165 Piston pressure switches

600 ¹⁾	20 – 100	± 3.0 – 5.0	G 1/4 female	0165 – 450 14 – X – 001
	25 – 250	± 5.0 – 7.0		0165 – 452 14 – X – 001
	100 – 400	± 5.0 – 9.0		0165 – 451 14 – X – 001

Seal material – Application areas

NBR	Hydraulic/machine oil, heating oil, air, nitrogen, etc.	1
EPDM	Brake fluid, hydrogen, oxygen, acetylene, etc.	2
FKM	Hydraulic fluids (HFA, HFB, HFD), petrol/gasoline, etc.	3

Refer to page 82 for the temperature range and application thresholds of sealing materials

Your order number: 0165 – XXX 14 – X – 001

Piston pressure switches only have limited suitability for use with gases (refer to Page 14 for explanations).

M.8

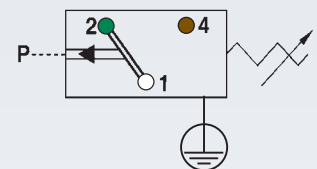
ATEX

Suco



Contact assignment:

- 1 = white
- 2 = green
- 4 = brown



¹⁾ Static value. Dynamic value is 30-50% lower. Values pertain to the hydraulic/pneumatic part of the pressure switch.



M

M.8

ATEX

0340 / 0341

Diaphragm / piston pressure switches up to 250 V

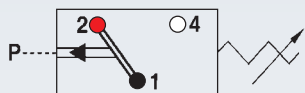
ATEX CE (dust protection zone 22)

- Zinc-plated steel housing (CrVI-free), with anodised aluminium protective cap
- Changeover with silver contacts
- Operation voltage up to 250 V, protection class 2, protective insulation
- Overpressure safety up to 300 / 600 bar¹⁾



Contact assignment:

- 1 = black
- 2 = red
- 4 = white



$p_{max.}$ in bar	Adjustment range in bar	Tolerance in bar at room temperature	Thread	Order number
----------------------	----------------------------	---	--------	--------------

0340 Diaphragm pressure switches

$p_{max.}$ in bar	Adjustment range in bar	Tolerance in bar at room temperature	Thread	Order number
300 ¹⁾	0.3 – 1.5	± 0.2	G 1/4	0340 – 457 03 – X – 003
	1 – 10	± 0.5 – 1.0		0340 – 458 03 – X – 006
	10 – 20	± 1.0		0340 – 459 03 – X – 009
	20 – 50	± 2.0		0340 – 461 03 – X – 012

0341 Piston pressure switches

$p_{max.}$ in bar	Adjustment range in bar	Tolerance in bar at room temperature	Thread	Order number
600 ¹⁾	50 – 150	± 5.0	G 1/4	0341 – 460 03 – X – 003

Seal material – Application areas

Seal material	Application areas	Order number
NBR	Hydraulic/machine oil, heating oil, air, nitrogen, etc.	1
EPDM	Brake fluid, hydrogen, oxygen, acetylene, etc.	2
FKM	Hydraulic fluids (HFA, HFB, HFD), petrol/gasoline, etc.	3

Refer to page 82 for the temperature range and application thresholds of sealing materials



Your order number: **034X – XXX 03 – X – XXX**

Piston pressure switches only have limited suitability for use with gases (refer to Page 14 for explanations).



¹⁾ Static value. Dynamic value is 30-50 % lower. Values pertain to the hydraulic/pneumatic part of the pressure switch.

Vacuum switches



- Switching point can be adjusted when fitted on site ¹⁾
- High overpressure resistance
- Long service life even under harsh conditions
- 0150 series available as changeover contacts up to 250 V
- 0151 series available as NC or NO up to 42 V

¹⁾ Pressure switches can also be supplied preset at factory.
Our preset switches are sealed with lacquer paint, set points are embossed on the housing.

Vacuum switches

Technical data

M.9

Vacuum



Type:	0150	0151
Operating voltage:	10 ... 250 VAC/DC	10 ... 42 VAC/DC
Rated current (resistive load):	Refer to electrical values below	10 mA ... 4 A
Switching power:	Refer to electrical values below	100 VA
Temperature resistance of sealing materials:	-20 °C ... +100 °C	-15 °C ... +120 °C
Switching frequency:	200 / min.	
Mechanical life expectancy:	1,000,000 cycles	
Pressure rise rate:	≤ 1 bar / ms	
Vibration resistance:	10 g; 5 ... 200 Hz sine wave; DIN EN 60068-2-6	
Shock resistance:	294 m/s ² ; 14 ms half sine wave; DIN EN 60068-2-27	
Housing material:	Aluminium	Brass
Protection class:	IP65 with socket device	IP65, terminals IP00
Weight:	approx. 270 g	approx. 140 g

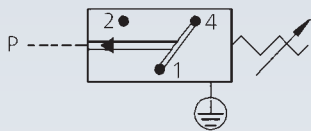
0150 Electrical values (also refer to page 14 for technical explanations)

Rated working voltage U_e	Rated working current I_e (usage category)
250 VAC 50 / 60 Hz	5 A (AC 12)
250 VAC 50 / 60 Hz	1 A (AC 14)
24 VDC	3.5 / 3.5 A (DC 12 / DC 13)
50 VDC	2 / 1 A (DC 12 / DC 13)
75 VDC	1 / 0.5 A (DC 12 / DC 13)
125 VDC	0.3 / 0.2 A (DC 12 / DC 13)
250 VDC	0.25 / 0.2 A (DC 12 / DC 13)
Rated insulation voltage U_i :	300 V
Rated impulse withstand voltage U_{imp} :	2.5 kV
Conventional thermal current I_{the} :	6 A
Switching overvoltage:	< 2.5 kV
Rated frequency:	DC and 50 / 60 Hz
Nominal current of short-circuit mechanism:	up to 6.3 A
Conditional short-circuit current:	< 350 A
Tightening torque of terminal screws:	< 0.35 Nm
Connector cross-section:	0.5 ... 1.5 mm ²

0150

Vacuum switch up to 250 V with changeover contact

- Aluminium housing
- Operating voltage up to 250 V
- Changeover with silver contacts
- Overpressure safety up to 20 bar¹⁾
- Socket device similar to DIN EN 175301 (DIN 43650)
- Hysteresis approx. 50 – 150 mbar (cannot be changed)



P _{max.} in bar	Adjustment range in mbar (relative)	Tolerance in mbar at room temperature	Thread	Order number
-----------------------------	--	--	--------	--------------

0150 Vacuum switch

20 ¹⁾	100 – 950	± 50	G 1/8 female	0150 – 456 15 – 4 – 001
------------------	-----------	------	--------------	-------------------------

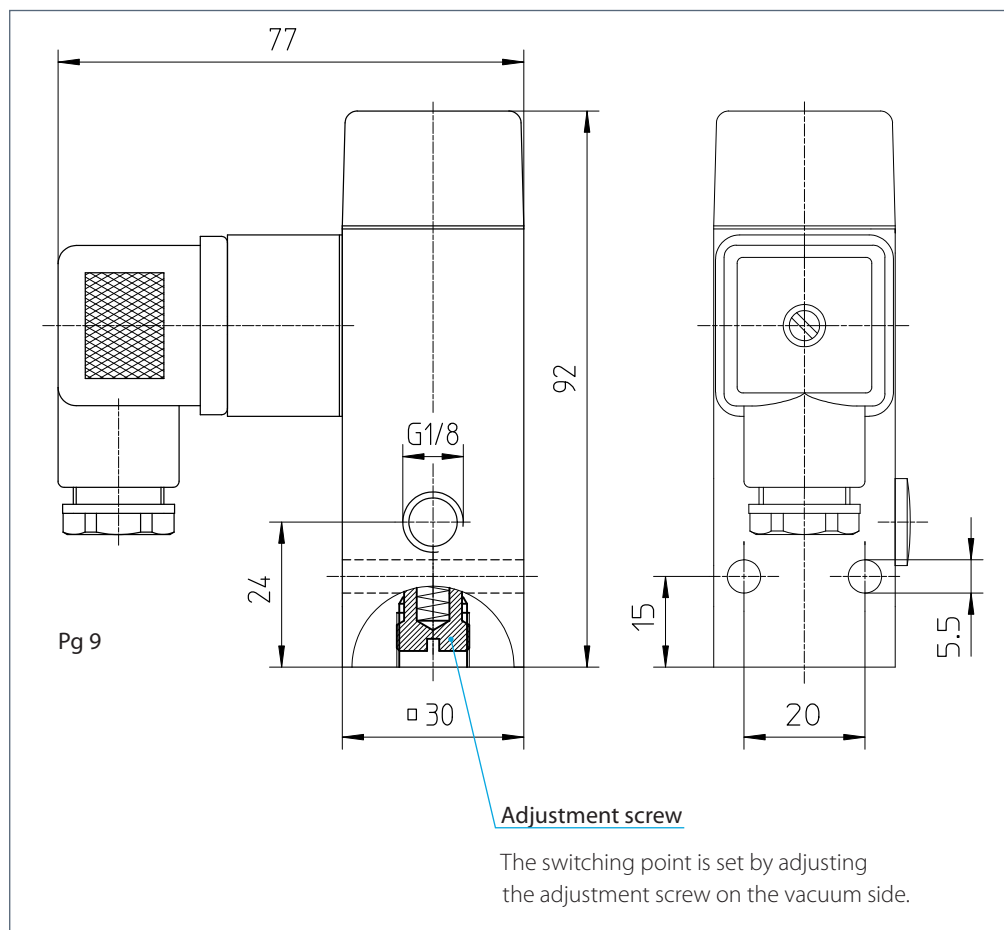
Seal material – Application areas

ECO	Air, oils, greases, fuel/gasoline	4
-----	-----------------------------------	---

Temperature resistance: -20°C ... +100°C

Your order number:

0150 – 456 15 – 4 – 001



¹⁾ Static value. Dynamic value is 30-50 % lower. Values pertain to the hydraulic/pneumatic part of the pressure switch.

0151

Vacuum switch up to 42 V, NO or NC

- Brass housing
- Spade or M3 screw terminal
- Operating voltage up to 42 V
- Overpressure safety up to 35 bar¹⁾

$p_{max.}$ in bar	Adjustment range in mbar (relative)	Tolerance in mbar at room temperature	Thread	Order number
----------------------	--	--	--------	--------------

0151 Vacuum switches with M3 screw terminal

35 ¹⁾	200 – 950	± 100	G 1/8 female	0151 – 452 15 – 3 – 001
------------------	-----------	-------	--------------	-------------------------

NO → |:

0151 – 452 15 – 3 – 001

NC → :|

0151 – 453 15 – 3 – 001

0151 Vacuum switches with spade terminal

35 ¹⁾	200 – 950	± 100	G 1/8 female	0151 – 454 15 – 3 – 001
------------------	-----------	-------	--------------	-------------------------

NO → |:

0151 – 454 15 – 3 – 001

NC → :|

0151 – 455 15 – 3 – 001

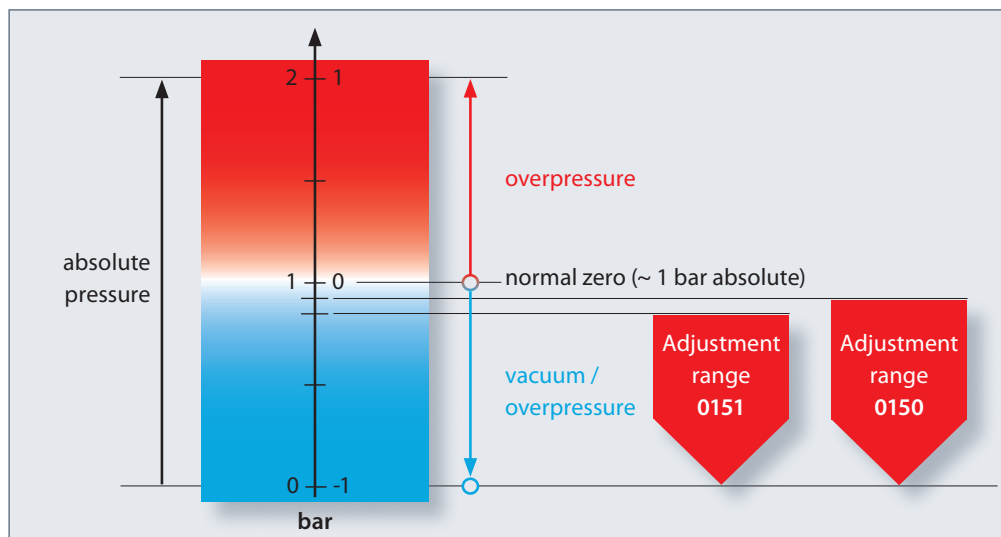
Seal material – Application areas

FKM	Air, oils, greases, fuel/gasoline	3
-----	-----------------------------------	---

Temperature resistance: -15 °C ... +120 °C

Your order number: 0151 – XXX 15 – 3 – 001

Comparison of absolute/relative pressures

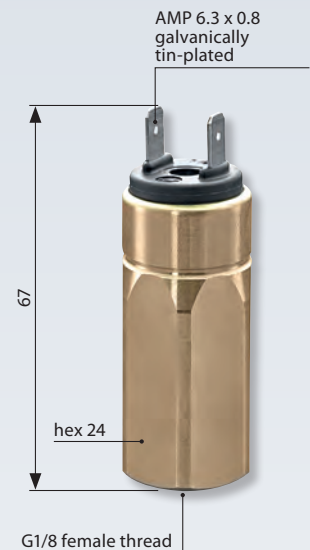


Note: Required set points in the vacuum range must be specified relative to atmospheric pressure (normal pressure) in the ordering process.

¹⁾ Static value. Dynamic value is 30-50 % lower. Values pertain to the hydraulic/pneumatic part of the pressure switch.

M.9

Vacuum



Switches are also available on request with outer thread or integrated connector.





- High-quality accessories
- Developed for our products
- Aligned to our products
- Originals from the manufacturer

Mating plugs

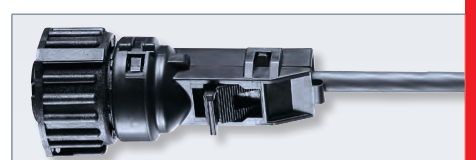
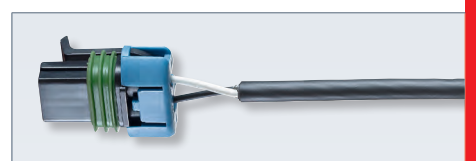
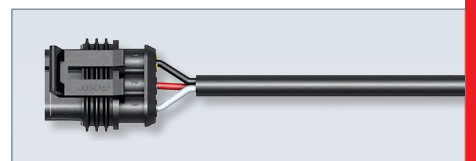
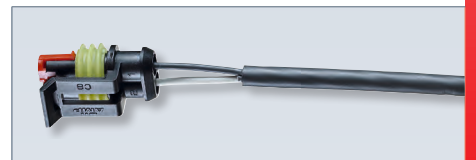
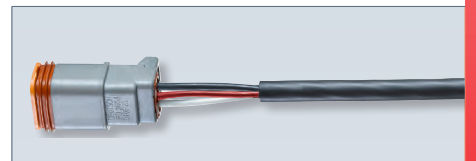
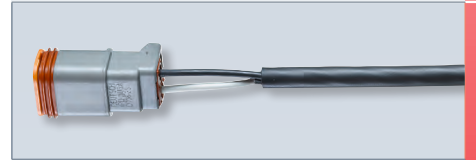
For pressure switches with integrated connector

M.10

Accessories



<p>Deutsch DT06-2S (for DT04-2P) 2 x 0.5 mm² Radox cable, IP65</p>	<p>suitable for series 0110 / 0111 0410 / 0411</p>	<p>Order number: 1-1-10-653-118</p>
<p>Deutsch DT06-3S (for DT04-3P) 3 x 0.5 mm² PUR cable, IP67</p>	<p>suitable for series 0116 / 0117 / 0136 / 0137 0416 / 0417</p>	<p>Order number: 1-1-36-653-160</p>
<p>TE AMP Superseal 1.5[®], 2-pin 2 x 0.5 mm² Radox cable, IP65</p>	<p>suitable for series 0112 / 0113 0412 / 0413</p>	<p>Order number: 1-1-12-653-113</p>
<p>TE AMP Superseal 1.5[®], 3-pin 3 x 0.5 mm² Radox cable, IP65</p>	<p>suitable for series 0132 / 0133</p>	<p>Order number: 1-1-32-653-158</p>
<p>TE AMP Junior Timer, 2-pin 2 x 0.5 mm² Radox cable, IP65</p>	<p>suitable for series 0118 / 0119 0418 / 0419</p>	<p>Order number: 1-1-18-653-116</p>
<p>Packard MetriPack 280, 2-pin 2 x 0.5 mm² Radox cable, IP65</p>	<p>suitable for series 0114 / 0115 0414 / 0415</p>	<p>Order number: 1-1-14-653-114</p>
<p>Bayonet DIN 72585 A1-2.1 2 x 0.5 mm² Radox cable, IP65</p>	<p>suitable for series 0120 / 0121</p>	<p>Order number: 1-1-20-653-112</p>
<p>M12 DIN EN 61076-2-LF, 4-pin 4 x 0.34 mm² PUR cable, IP65</p>	<p>suitable for series 0122 / 0123 / 0124 / 0125 0134 / 0135 / 0424 / 0425</p>	<p>Order number: 1-1-00-653-162</p>



All mating plugs with 2 m cable

M

Socket devices and protective caps

- IP65 socket devices or IP54 rubber protective caps for increased protection
- Simple installation with plug-in socket devices


 <p>60 Ø 28</p>	 <p>46 Ø 28</p>	 <p>55 Ø 31</p>	 <p>~ 54 45 Ø 34</p>
<p>Rubber protective cap</p> <p>With central cable feed-through for 1.5 – 5 mm cable diameter</p> <p>With rubber protective cap fitted: IP54</p> <p>Suitable for voltages up to 42 V</p>	<p>Rubber protective cap</p> <p>With two cable feed-throughs for 1.7 – 2.2 mm cable diameter</p> <p>With rubber protective cap fitted: IP54</p> <p>Suitable for voltages up to 42 V</p>	<p>Rubber protective cap</p> <p>With two cable feed-throughs for 1.7 – 2.3 mm cable diameter</p> <p>With rubber protective cap fitted: IP54</p> <p>Suitable for voltages up to 42 V</p>	<p>Socket device</p> <p>Pg9 screw fitting (tightening range 6 – 9 mm)</p> <p>With socket device fitted: IP65</p> <p>Suitable for voltages up to 250 V</p>
<p>suitable for series 0151 / 0163 / 0164 / 0166 0167 / 0168 / 0169</p>	<p>suitable for series 0151 / 0163 / 0164 / 0166 0167 / 0168 / 0169</p>	<p>suitable for series 0170 / 0171 / 0180* / 0181* 0183* / 0186* / 0187* 0190 / 0191 / 0196 / 0197 (*up to 42V)</p>	<p>suitable for series 0170 / 0171 / 0180 / 0181 0183 / 0186 / 0187 0190 / 0191 / 0196 / 0197</p>
<p>Order number: 1-1-66-621-010</p>	<p>Order number: 1-1-66-621-003</p>	<p>Order number: 1-1-70-621-007</p>	<p>Order number: 1-1-80-652-002</p>

<p>Socket device</p> <p>to DIN EN 175301-803-A (DIN 43650)</p> <p>Pg9 screw fitting (tightening range 6 – 9 mm) terminals for wire cross-sections: 0.34 ... 1.5 mm² (AWG 22 ... AWG 16), tightening torque for terminal screw 0.4 Nm</p> <p>With socket device fitted: IP65</p> <p>Suitable for voltages up to 250 V</p>	<p>Socket device</p> <p>With indicator lamp to DIN EN 175301-803-A (DIN 43650)</p> <p>Pg9 screw fitting (tightening range 6 – 9 mm) terminals for wire cross-sections: 0.34 ... 1.5 mm² (AWG 22 ... AWG 16), tightening torque for terminal screw 0.4 Nm</p> <p>With socket device fitted: IP65</p> <p>Suitable for voltage 24 or 250 V</p>	<p>Socket device</p> <p>M 12x1 DIN EN 61071-2-101 D Straight 4-pin</p> <p>Terminals for wire cross-section 0.75 mm² (AWG 18), tightening torque for terminal screw 0.4 Nm</p> <p>With socket device fitted: IP65</p> <p>Suitable for voltages up to 48 V</p>	<p>Socket device</p> <p>M 12x1 DIN EN 61071-2-101 D Angled 4-pin</p> <p>Terminals for wire cross-section 0.75 mm² (AWG 18), tightening torque for terminal screw 0.4 Nm</p> <p>With socket device fitted: IP65</p> <p>Suitable for voltages up to 48 V</p>
<p>suitable for series 0150 / 0161 / 0162 / 0175 0184 / 0185 / 0194 / 0195</p>	<p>suitable for series 0150 / 0161 / 0162 / 0175 0184 / 0185 / 0194 / 0195</p>	<p>suitable for series 0122 / 0123 / 0124 / 0125 0134 / 0135 / 0424 / 0425 and for all transmitters and electronic pressure switches with an M12 connector</p>	<p>suitable for series 0122 / 0123 / 0124 / 0125 0134 / 0135 / 0424 / 0425 and for all transmitters and electronic pressure switches with an M12 connector</p>
<p>Order number: 1-1-84-652-009</p>	<p>Order number: for 24 VDC: 1-1-84-652-011 for 250 VAC: 1-1-84-652-010</p>	<p>Order number: 1-6-00-652-016</p>	<p>Order number: 1-6-00-652-017</p>

Thread adapters

For requirements at short notice and for realising custom solutions

- The materials and shapes of thread adapters are aligned perfectly to our switches and transmitters
- Thread adapters are supplied with seals



For G 1/8 female
Vacuum switch
with SUCO thread code 15



For G1/4 DIN EN ISO 1179-1 (DIN 3852-E)
All pressure switches and transmitters
with SUCO thread code 41


Dual nipple brass		Thread adapters stainless steel (1.4305 / AISI 303)			
G 1/8 Shape E DIN EN ISO 1179-2 includes sealing ring NBR	G 1/8 Shape A includes sealing ring OL-1/8	G 1/4 DIN EN ISO 1179-1 (DIN 3852-E) female thread			
					
NPT 1/8-27	NPT 1/4-18	M10 x 1 Shape A DIN 3852-1	M14 x 1.5 Shape E DIN 3852-E includes sealing ring FKM	NPT 1/4-18	9/16-18UNF includes O-ring FKM
Order number:	Order number:	Order number:	Order number:	Order number:	Order number:
1-1-00-420-014	1-1-00-420-029	1-1-00-420-020	1-1-00-420-028	1-1-00-420-021	1-1-00-420-027





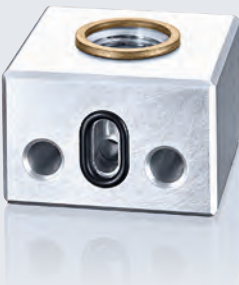
For G1/4
All hex 24 and hex 27 pressure switches with SUCO thread code 03



For M14x1.5 DIN ISO 6149-3
Pressure switch series 0183 with SUCO thread code 45



For G1/4
All hex 24 and hex 27 pressure switches with SUCO thread code 03

Thread adapters zinc-plated steel (CrVI-free)					Adapter Aluminium
G 1/4 female thread includes sealing ring FKM		M 14x1.5 DIN ISO 6149-1 female thread			G 1/4 female thread includes copper sealing ring
					
R 1/4	3/8-24 UNF-2A	G 1/4	M12x1.5	NPT 1/8-27	Flange design includes NBR O-ring
Order number:	Order number:	Order number:	Order number:	Order number:	Order number:
1-1-00-420-009	1-1-00-420-013	1-1-83-420-006	1-1-83-420-007	1-1-83-420-008	1-1-00-420-025

E. Electronic Pressure Switches





E. Overview of electronic pressure switches

Technical explanations from page 100
Electronic pressure

Selection matrix from page 105
A guide to choosing the correct pressure switch

Electronic pressure switches with ceramic measuring cell



E.1. Electronic pressure switches, Performance series, hex 24, adjustable at factory from page 106

Switching point: 0 – 100 bar
Overpressure protection: Up to 2 x
Transistor outputs: Qty: 1, maximum output current 0.5 A
Variant: PNP
Housing materials: Stainless steel 1.4305 (AISI 303)
Sealing materials: NBR, FKM
Thread: G1/4, NPT1/4
Types: 0500, 0501, 0502, 0503



E.2. Electronic pressure switches, Performance series, hex 24, adjustable by user from page 110

Switching point: 0 – 100 bar
Overpressure protection: Up to 2 x
Transistor outputs: Qty: 1, output current: max. 0.5 A
Variant: PNP
Housing materials: Stainless steel 1.4305 (AISI 303)
Sealing materials: NBR, FKM
Thread: G1/4, NPT1/4
Special feature: **Switching status display (LED)**
Types: 0510, 0511, 0512, 0513



E.3. Electronic pressure switches hex 27 / A/F 30, adjustable by user from page 114

Switching point: 0 – 250 bar
Overpressure protection: Up to 2 x
Transistor outputs: Qty: 1, output current: **max. 1.4 A**
Variant: PNP
Housing materials: Zinc-plated steel (CrVI-free)
Sealing materials: NBR, FKM, EPDM
Thread: G1/4 male or female thread
Types: 0520

E.4. Menu-controlled electronic pressure switches with display from page 118

Special feature:	All functions programmable from menu Switching state LEDs, display, coding, etc.
Switching point:	0 – 400 bar
Overpressure protection:	Up to 2 x
Transistor outputs:	Qty: 2, output current: max. 1.4 A
Variant:	PNP
Additional analogue output:	4 – 20 mA
Housing materials:	Anodised aluminium and die-casted zinc
Sealing materials:	NBR, FKM, EPDM
Thread:	Female thread
Types:	0570



Electronic pressure switches with SoS technology

E.5. Electronic pressure switches, High-Performance series, hex 22 with 1 switch output from page 122

Special feature:	Highest accuracy and long-term stability
Switching point:	0 – 600 bar
Overpressure protection:	Up to 4 x
Transistor outputs:	Qty: 1, maximum output current 0.5 A
Variant:	PNP or NPN
Housing materials:	Stainless steel 1.4305 (AISI 303)
Sealing materials:	All welded, without elastomer seal
Thread:	Different male threads
Types:	0530, 0531, 0532, 0533



E.6. Electronic pressure switches, High-Performance series, hex 22 with 2 switching outputs from page 126

Special feature:	Highest accuracy and long-term stability
Switching point:	0 – 600 bar
Overpressure protection:	Up to 4 x
Transistor outputs:	Qty: 2, maximum output current 0.5 A
Variant:	PNP or NPN
Housing materials:	Stainless steel 1.4305 (AISI 303)
Sealing materials:	All welded, without elastomer seal
Thread:	Different male threads
Types:	0540, 0541, 0542, 0544, 0545, 0546



E.7. Accessories from page 130

- Mating plugs
- Thread adapters
- Programming tools



Technical explanations for electronic pressure switches

What is an electronic pressure switch?

An electronic pressure switch converts the medium pressure which is present at the measuring cell into a digital, electrical switch signal (ON/OFF).

An electronic pressure switch is more complex than a mechanical pressure switch, and thus generally more expensive. As an electronic pressure switch has no moving parts (relative to each other), it usually has a much prolonged service life and provides a higher level of precision (depending on application). The hysteresis can be set over a wide range and virtually independently of the switching point.

Electronic pressure switches can also be equipped with additional functions, such as optical displays and menu control.

How does an electronic pressure switch work?

The pressure measuring cell fitted (1) has a membrane that is exposed to the pressure to be measured. Affixed to this membrane is a bridge circuit consisting of four ohmic resistors in the form of a Wheatstone bridge. The values of these resistors change proportionally to the pressure load present at the measuring cell or membrane. The bridge voltage of the measuring cell is amplified in the evaluation electronics (2) and processed digitally by a microcontroller (3).

Once the switching point or switch-back point is reached, the output transistor (4) closes or opens depending on the output function (normally open/closed contact).

SoS technology

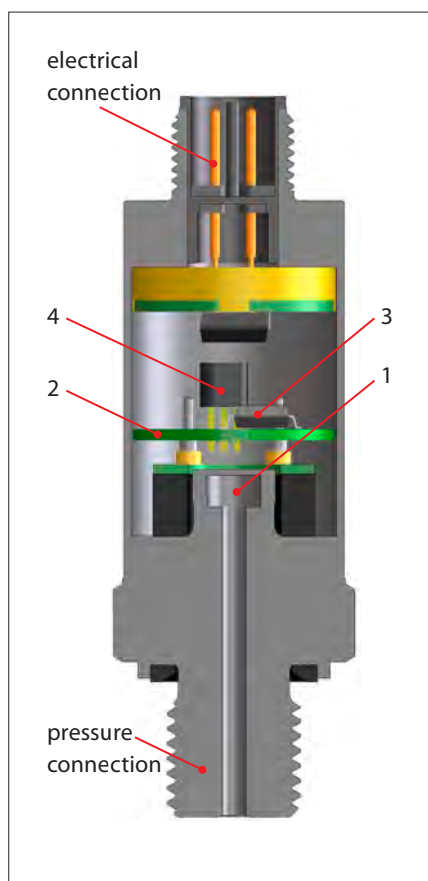
In the silicone-on-sapphire technology, the substrate of the thin film measuring cell is synthetic sapphire. This has excellent mechanical and temperature stable properties and prevents undesired parasitic effects, thereby having a positive effect on accuracy and stability. In conjunction with a titanium membrane, this results in virtually unique coaction between the temperature coefficients of sapphire and titanium. This is because, unlike silicon and stainless steel, they are more closely matched and thus require only a low level of compensation. This also has a favourable effect on long-term stability.

"Oil-filled" stainless steel measuring cell"

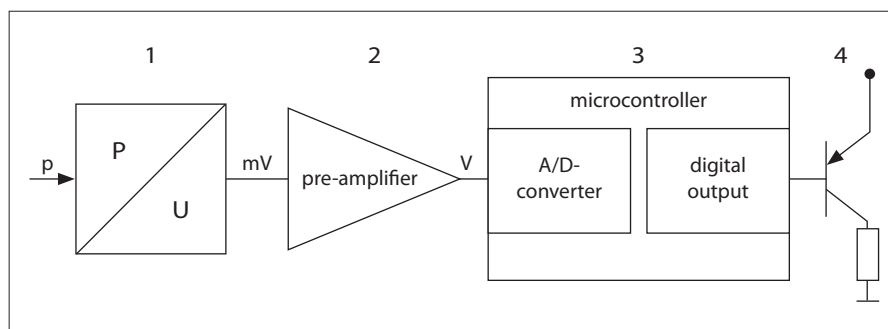
In this measuring cell technology, the piezo-resistive measuring cell is packaged within a metallic housing filled with fluorine oil. This means the measuring cell is virtually free of external mechanical stress. Fluorine oil has excellent characteristics in regards to temperature and ageing behaviour, and is not flammable and so fits perfectly for oxygen applications. It is not recommended for food applications.

Ceramic measuring cell / thick film technology

Ceramic thick film pressure measuring cells are made up of a sintered ceramic body. The ceramic body sleeve already has the key geometries for the subsequent pressure range. The membrane thickness required and thus, the pressure range required is established with grinding and lapping. The resistors are imprinted with thick film technology and interconnect to form a measuring bridge.



Block diagram



Adjustment range of switching point

The pressure range within which the switching point of an electronic pressure switch can be set is called adjustment range. The switching point corresponds to the pressure value at which the electric circuit of the output is opened or closed.

Switching point accuracy and tolerances

The switching point accuracy of electronic pressure switches is specified by SUCO and relates to the full scale value (FS). The switching point tolerances specified by us are valid at room temperature (RT) and new state. The values can change as a result of temperature, ageing and application specific conditions. Switching points can either be set at the factory or by the customer on site (depending on model).

Hysteresis

Rising/falling switching point

The difference between the rising (upper) and falling (lower) switching points (refer to the figure) is known as hysteresis (switch-back difference).

Our electronic pressure switches are a perfect fit to extremely low or high hysteresis.

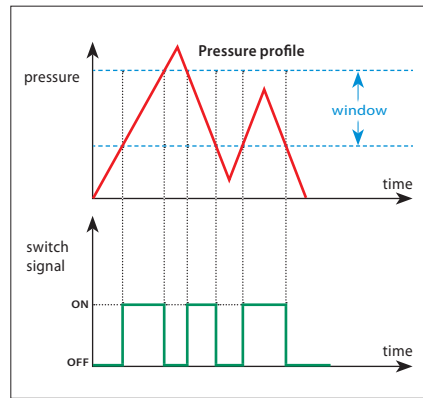
Hysteresis is either set at the factory or by the customer on site (only the 0570 series). The hysteresis or switch-back point of all pressure switches can be set over almost the entire adjustment range.

Please ask about the possible setting ranges you may require.

The hysteresis specified in the data sheet is set if nothing is specified in the order.

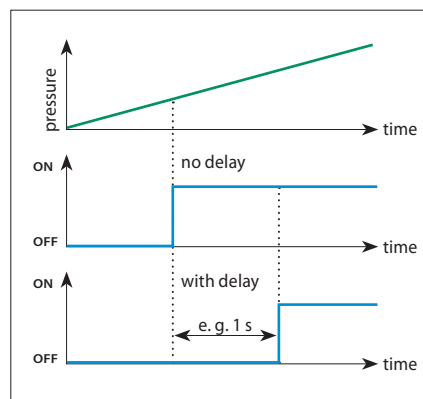
Window function

In the window function, the switch signal is programmed such that it remains ON or OFF between two values. This means a defined pressure range can be monitored. This function is only possible on the 053X series.

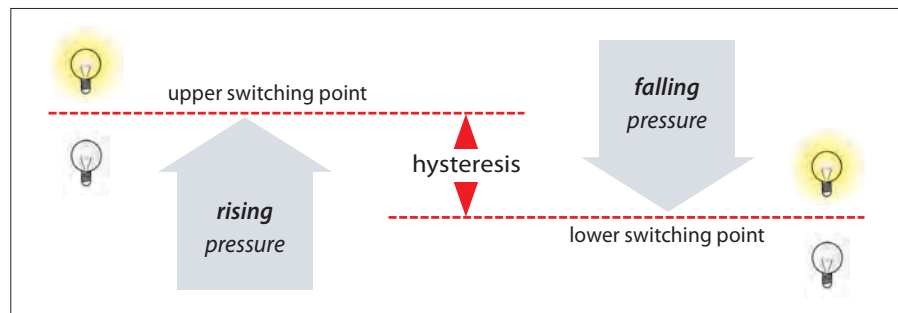


Switching delay

Switch outputs can be programmed with a delay separately for switch-on and switch-off (depending on model). Delays of up to several seconds are possible.



Hysteresis



Operating/supply voltage

All electronic pressure switches work with DC voltage and have no galvanic isolation. Within the thresholds specified in the relevant data sheet, the supply voltage may change without influencing the output signal. In order to guarantee the functionality of an electronic pressure switch, the minimum operating voltage must be respected. The maximum operating voltage may not be exceeded to avoid damage on the electronics.

Output current

Depending on the model, electronic pressure switches have a maximum output current of 0.5 A to 1.4 A and therefore are also suitable for applications requiring relatively high control and switching currents.

Load

The output transistor is an open collector, i.e. the output must be wired with a load. The load limits the switching current and is selected according to the application.

Electronic pressure switches have protection from voltage peaks at the output, and are short-circuit proof. When inductive loads are switched (relays, motors, etc.), provision may have to be made for an additional electronic snubber to eliminate high voltage peaks. This is realised e.g. with flyback diodes, or even better with suppressor diodes or varistors.

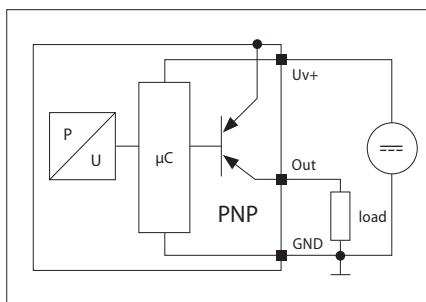
Technical explanations for electronic pressure switches

Connection types and output functions

There are essentially two different ways to connect the load or apparent ohmic resistance to electronic pressure switches:

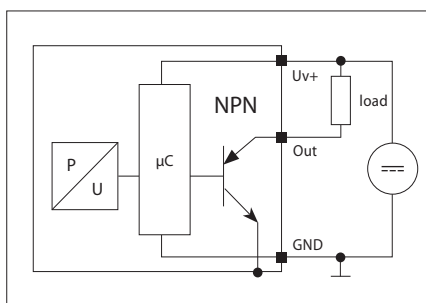
PNP output / high-side / plus-switching

PNP output (plus-switching) is the most popular variant in Europe. Here the load is connected to the output of the switch and ground (GND as reference potential).



NPN output / low-side / minus-switching

For an NPN output (minus-switching), the load is connected to the switching output and to the positive line of the supply voltage (Uv+ as reference potential).

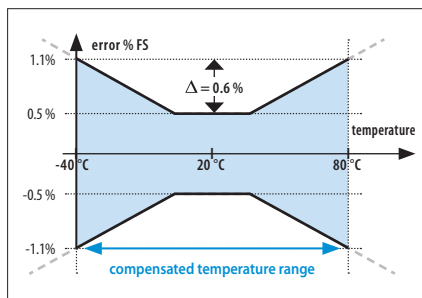


NO/NC

Electronic pressure switches are available as normally open (NO) or normally closed (NC) versions. Also refer to section M.0, page 14.

Temperature errors and ranges

The temperature (both of the medium and environment) generally has a significant influence on the accuracy of an electronic pressure switch. Electronic pressure switches are temperature compensated over a particular range corresponding to the typical application. This means that temperature errors within this temperature range are minimised by means of circuitry design and algorithms. The temperature error is added to the accuracy, and shown in the total error band of the electronic pressure switch, also called "butterfly graph". Outside the compensated temperature range, the maximum error is not defined, however the electronic pressure switch still functions. To prevent mechanical and electrical damage, electronic pressure switches may not be used beyond the threshold temperature ranges specified in the data sheet.

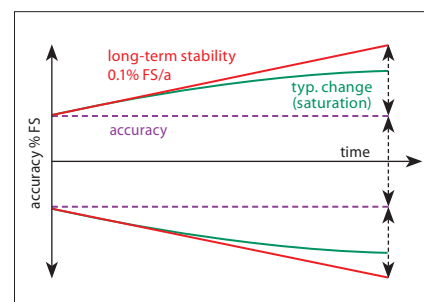


Service life and long-term stability

Service life information pertains to nominal conditions specified in the data sheet, and can vary considerably when a product is operated mechanically or electrically outside the specifications. Service life essentially depends on the used measuring cell technology.

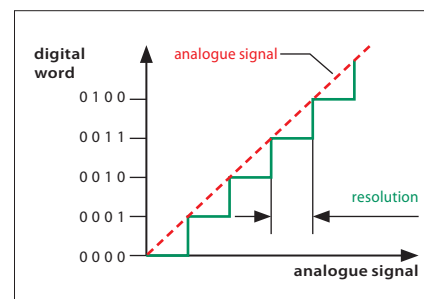
Ageing is accelerated (or slowed) due to different factors - such as temperature, temperature change and reduction of mechanical forces. The occurrence of ageing does effect the total accuracy.

SUCO specifies long-term stability in accordance with DIN 16086 in relation to one year. Typically the influence of aging on the accuracy reduces with increasing operating duration. The information in the data sheet corresponds to the worst case scenario.



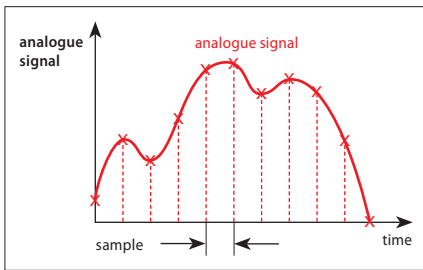
Resolution

The A/D resolution (analogue - digital) of an electronic pressure switch defines the smallest change of the analogue - digital - analogue conversion which takes place by the signal processing of an electronic pressure switch. If for example 13-bit resolution is used for an electronic pressure switch with a 100 bar setting range, the smallest signal change is 8192 steps (2^{13}). As state of the art a resolution of 12 bits and hence 4096 steps (2^{12}) is typical. Therefore pressure changes of 100 bar / 4096 = 0.024 bar can be recorded.



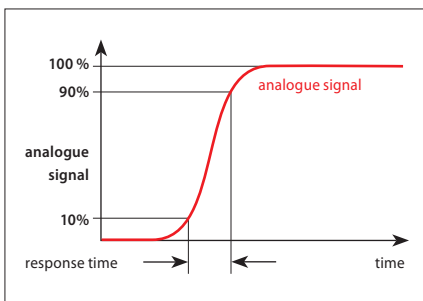
Sampling rate

The sampling rate (or sampling frequency) defines the number of samples per time unit (typically in seconds or milliseconds) taken from an analogue signal and converted to a digital signal. The sampling rate is an indicator of how fast the output signal of an electronic pressure switch responds to the pressure change at the input.



Response time

The response or circuit time is shorter than 2 to 4 milliseconds (depending on model). The sum of A/D and D/A conversions, and the analogue and digital filters in the signal chain from the measuring bridge to the output, make up the response time. Filtering is used to suppress unwanted pressure peaks and electrical interference signals, and for good EMC characteristics.



CE mark

Electronic pressure switches from SUCO fall under the 2014/30/EU EMC Directive. EC declarations of conformity have been issued for the electronic pressure switches are available on request or can be downloaded from our website. The relevant devices are denoted by a CE mark in our catalogue.

The Machinery Directive 2006/42/EC is not applicable, because our products are classed as components.

Our products are designed for Group 2 fluids based upon good engineering practise in line with Pressure Equipment Directive 2014/68/EU, meaning neither a declaration of conformation may be issued nor a CE mark affixed.

Electromagnetic compatibility (EMC)

Electronic pressure switches from SUCO do comply to all important industrial EMC standards. The basis for the standards are the stricter thresholds for transient emissions in residential environments (EN 61000-6-3) and immunity for industrial environments (EN 61000-6-2).

Generic standard	Test standard	Parameter(s)
Radio disturbance and immunity	EN 55016-2-1 EN 55016-2-3	60 dBuV
Radiated, high-frequency electromagnetic field immunity test	EN 61000-4-3	10 V/m; 80-2700 MHz, 3 V/m; 1400-2000 MHz, 1 V/m; 2000-2700 MHz
Immunity to conducted disturbances, induced by radio-frequency fields	EN 61000-4-6	10 V; 0.15-80 MHz
Electrical fast transient / burst immunity test	EN 61000-4-4	±2 KV
Surge immunity test	EN 61000-4-5	±0.5 KV (common) ±0.5 KV (differential)
Electrostatic discharge (ESD) immunity test	EN 61000-4-2	air: 8 KV with contact: 4 KV



Technical explanations for electronic pressure switches

Conversion chart for pressure units

Abbreviation for unit	Name of unit	Pa= N/m ²	bar	Torr	lbf/in ² . PSI
1 Pa = N/m ²	Pascal	1	0.00001	0.0075	0.00014
1 bar	Bar	100 000	1	750.062	14.5
1 Torr = 1 mm Hg	Millimeters of mercury	133.322	0.00133	1	0.01934
1 lbf/in ² = 1 PSI	Pound-force per square inch	6894	0.06894	51.71	1

Conversion chart for temperature units

	K	°C	F
K	1	K-273.15	9/5 K-459.67
°C	°C + 273.15	1	9/5 °C + 32
F	5/9 (F+459.67)	5/9 (F-32)	1

Insulation strength

According to the latest specifications for immunity to surges and lightning protection, the following must be taken into account when testing insulation strength: With insulation test devices having an inner resistance exceeding 42 Ohm, the insulation strength of electronic pressure switches can be tested up to 500 VDC. All contacts must be tested short-circuited against the housing. For a specific threshold value of test voltage, the protective circuit for surge protection is activated without any defects arising within the circuit. In the process, the current may rise to a point at which an insulation strength fault is indicated. The recommendation therefore is to conduct the insulation test of the electronic pressure switch when it is removed, or independently of the overall system.

Medium compatibility

The specifications on medium compatibility in this catalogue pertain to the specific seal and housing materials as well as the used measuring cell technology and so cannot be generalised.

Titanium

Its high levels of mechanical resistance and the wide media compatibility – in particular to corrosive media – do make titanium the ideal material for measuring cells and membranes. It is not recommended for oxygen or hydrogen applications.

Stainless steel (1.4305 / AISI 303)

Stainless steel with broad level of media compatibility. Also suitable for oxygen and hydrogen applications.

Stainless steel (1.4404 / AISI 316L)

Stainless steel with broad level of media compatibility. Also suitable for chemical industry and sea water applications.

Oxygen and hydrogen

Country-specific safety requirements and application guidelines must be observed if the medium to be monitored is oxygen or hydrogen, such as DGUV accident prevention regulations (DGUV 500, Section 2.32 and BGI 617).

**Please specify when ordering
"for oxygen, oil and grease-free".**

Pressure peak dampening

If required, our electronic pressure switches can also be fitted with a pressure snubber (pressure peak orifice) to protect the measuring cell against transient pressure loads such as pressure peaks due to the switching of valves, cavitation effects, etc. which can shorten life expectancy.

For liquid media, the hole of a pressure snubber cannot be chosen to be any small size. At low temperatures the viscosity of the media will increase. In a case of dropping pressure the media might remain in the cavity behind the snubber which might affect the functionality of the electronic pressure switch. Thus a bore diameter of 0.8 mm has been established.

Product information

The technical information in this catalogue is based upon fundamental testing during product development, as well as upon empirical values. The information cannot be used for all application scenarios.

Testing of the suitability of our products for a specific application (e.g. also the checking of material compatibilities) falls under the responsibility of the user. It may be the case that suitability can only be guaranteed with appropriate field testing.

Subject to technical changes.

Selection matrix for electronic pressure switches

Type / series		0500	0501	0510	0511	0520	0570	0530	0531	0532	0533	0540	0541	0542	0544	0545	0546
Page		109	109	113	113	117	120	125	125	125	125	129	129	129	129	129	129
Technology	ceramic / thick-film	■	■	■	■	■	■										
	titanium / SoS							■	■	■	■	■	■	■	■	■	■
Variants	NO	■	■	■	■	■	■	■		■		■		■	■		■
	NC	■	■	■	■				■		■		■	■			■
	1 switching output	■	■	■	■	■		■	■	■	■						
	2 switching outputs						■					■	■	■	■	■	■
	PNP (High Side)	■	■	■	■	■	■	■	■	■		■	■	■			
	NPN (Low Side)										■	■				■	■
	analogue output 4 - 20 mA						■										
Supply voltage	9.6 – 32 V	■	■	■	■			■	■	■	■	■	■	■	■	■	■
	12 – 30 V						■										
	15 – 36 V					■											
Adjustment range	0 – 2 bar	■	■	■	■												
	0 – 4 bar	■	■	■	■												
	0 – 10 bar	■	■	■	■	■	■	■	■	■	■	■	■	■	■	■	■
	0 – 16 bar	■	■	■	■			■	■	■	■	■	■	■	■	■	■
	0 – 25 bar							■	■	■	■	■	■	■	■	■	■
	0 – 40 bar	■	■	■	■												
	0 – 100 bar	■	■	■	■	■	■	■	■	■	■	■	■	■	■	■	■
	0 – 250 bar					■		■	■	■	■	■	■	■	■	■	■
	0 – 400 bar						■	■	■	■	■	■	■	■	■	■	■
	0 – 600 bar							■	■	■	■	■	■	■	■	■	■
Switch point adjustability	at factory	■	■	■	■	■	■	■	■	■	■	■	■	■	■	■	■
	by customer (on site)			■	■	■	■										
Hysteresis adjustability	at factory	■	■	■	■	■	■	■	■	■	■	■	■	■	■	■	■
	by customer (on site)						■										
	window mode (settable at factory)							■	■	■	■						
Max. overpressure	up to 2 x	■	■	■	■	■	■										
	up to 4 x							■	■	■	■	■	■	■	■	■	■
Size	hex 22							■	■	■	■	■	■	■	■	■	■
	hex 24	■	■	■	■												
	A/F 30					■											
	A/F 32						■										
Housing material	zinc-plated steel					■											
	stainless steel 1.4305 / AISI 303	■	■	■	■			■	■	■	■	■	■	■	■	■	■
	aluminium / die-casted zinc						■										
Additional functions	7-segment and menu control						■										
	LED switching state indicator	■	■	■	■	■	■	■	■	■	■	■	■	■	■	■	■

■ M12x1 DIN EN 61076-2 101 A connector only

E.1

hex 24
Performance
adjustable at factory

Electronic pressure switches, Performance series

hex 24, adjustable at factory



- Very attractively priced electronic pressure switches, particularly for high volume deployment
- High overpressure protection (up to 2 x)
- Small, compact electronic switches
- Broad diversity of electronic and mechanical connection options
- High level of adaptability to your requirements (custom solutions)
- Ceramic sensor in thick film technology
- Housing made of stainless steel (1.4305), others on request
- Hysteresis adjustable within a wide range (1 % – 98 %, set at factory)

Technical details

Type:	0500 NO 0501 NC					
Transistor output:	PNP output (High-Side N-channel)					
Supply voltage:	9.6 – 32 VDC with reverse voltage protection					
Output current:	0.5 A with short-circuit and overvoltage protection					
Idle power consumption:	< 30 mA					
Adjustment range p_{nom} :	0 – 2 bar	0 – 4 bar	0 – 10 bar	0 – 16 bar	0 – 40 bar	0 – 100 bar
Max. overpressure ¹⁾ :	4 bar	10 bar	20 bar	40 bar	100 bar	200 bar
Burst pressure ¹⁾ :	8 bar	20 bar	35 bar	60 bar	140 bar	300 bar
Mechanical life expectancy:	5,000,000 pulsations at rise rates to 1 bar/ms at p_{nom}					
Pressure rise:	≤ 1 bar/ms					
Accuracy:	±0.5 % of adjustment range p_{nom} (full scale (FS)) at room temperature					
Switching point adjustment range:	2 ... 100 % of adjustment range p_{nom} (FS), set at factory					
Hysteresis:	1 ... 98 % FS, programmable at factory (max. tolerance ±1.0% of adjustment range p_{nom})					
Resolution:	0.1 % of adjustment range p_{nom} (FS)					
Long term stability:	±0.1 % of adjustment range p_{nom} (FS) per year					
Repeatability ²⁾ :	±0.1 % of adjustment range p_{nom} (FS)					
Switching time:	< 4 ms					
Temperature error ²⁾ :	±0.04 % of adjustment range p_{nom} (FS) / °C					
Compensated temperature range:	0 °C ... +70 °C (32 °F ... 158 °F), total error ≤ 2 %					
Temperature range ambient:	-30 °C ... +100 °C (-22 °F ... 212 °F)					
Temperature range media:	with NBR seal: -30 °C ... +100 °C (-22 °F ... +212 °F)					
	with EPDM seal: -30 °C ... +125 °C (-22 °F ... +257 °F)					
	with FKM seal: -20 °C ... +125 °C (-4 °F ... +257 °F)					
Wetted parts material	Housing:	Stainless steel (1.4305 / AISI 303)				
	Messuring cell:	Ceramic				
	Seal material:	NBR, EPDM or FKM				
Insulation resistance:	> 100 MΩ (500 VDC, $R_i > 42 \Omega$)					
Vibration resistance:	20 g; at 4...2000 Hz sine wave, DIN EN 60068-2-6					
Shock resistance:	500 m/s ² , 11 ms half sine wave; DIN EN 60068-2-27					
Protection class:	IP65: DIN EN 175301-803-A IP67: M12x1, AMP-Superseal®, cable connector IP67 and IP6K9K: Bayonet ISO 15170-A1-4.1, Deutsch DT04-3P					
Electromagnetic compatibility:	EMV 2014/30/EU, EN 61000-6-2:2005, EN 61000-6-3:2007					
Cable output thread size:	For DIN EN 175301: Pg9 (outside diameter of cable 6 to 9 mm)					
Weight:	approx. 80 g (DIN EN 175301 approx. 110 g)					

¹⁾ Static pressure, dynamic pressure 30 to 50% lower. Values refer to the hydraulic or pneumatic part of the electronic pressure switch.

²⁾ Within the compensated temperature range

E.1

hex 24
Performance
adjustable at factory



hex 24

	no / nc	
○ 1	(+)	
○ 2	(GND)	
○ 3	(OUT)	

0500 / 0501

Electrical connectors and threads

DIN EN 175301-803-A

Pin	Assignment
1	U _{v+}
2	Gnd
3	U _{out}
PE	PE

IP65

x ~ 60 mm without coupler socket
x ~ 77 mm with coupler socket

Order number: 013

M 12 – DIN EN 61076-2-101 A

Pin	Assignment
1	U _{v+}
2	nc
3	Gnd
4	U _{out}

IP67

x ~ 54 mm

Order number: 002

ISO 15170-A1-4.1

Pin	Assignment
1	U _{v+}
2	nc
3	Gnd
4	U _{out}

IP67, IP6K9K

x ~ 56 mm

Order number: 004

AMP Superseal 1.5®

Pin	Assignment
1	U _{out}
2	Gnd
3	U _{v+}

IP67

x ~ 61 mm

Order number: 007

Deutsch DT04-3P

Pin	Assignment
A	U _{v+}
B	Gnd
C	U _{out}

IP67, IP6K9K

x ~ 61 mm

Order number: 010

Cabel connection

Pin	Assignment
red	U _{v+}
white	U _{out}
black	Gnd

IP67

x ~ 47 mm
(+ 25 mm bend relief)
Cable length ~ 2 m

Order number: 011

G 1/4 DIN
EN ISO 1179-2
(DIN 3852-11)
form E

Sealing ring

Thread code: 41

NPT 1/4

Thread code: 09



0500 / 0501

Order matrix for electronic pressure switches

E.1

hex 24
Performance
adjustable at factory



	Type	Adjustment range	Pressure connection	Seal material	Electrical connection
--	-------------	-------------------------	----------------------------	----------------------	------------------------------

Type

Normally open (NO), PNP, switching points programmed at factory ¹⁾	0500
Normally closed (NC), PNP, switching points programmed at factory ¹⁾	0501

Max. overpressure ²⁾	Burst pressure	Adjustment range ¹⁾	
4 bar	8 bar	0 – 2 bar (approx. 29 PSI)	200
10 bar	20 bar	0 – 4 bar (approx. 58 PSI)	400
20 bar	35 bar	0 – 10 bar (approx. 145 PSI)	101
40 bar	60 bar	0 – 16 bar (approx. 230 PSI)	161
100 bar	140 bar	0 – 40 bar (approx. 580 PSI)	401
200 bar	300 bar	0 – 100 bar (approx. 1,450 PSI)	102

Pressure connection

G 1/4 – ISO 1179-2 (DIN 3852), form E, male thread	41
NPT 1/4	09

Seal material – Application areas

NBR	Hydraulic/machine oil, heating oil, air, nitrogen, etc.	1
EPDM	Brake fluid, water, acetylene, hydrogen, etc.	2
FKM	Hydraulic fluids (HFA, HFB, HFD), petrol/gasoline, etc.	3

Electrical connection

DIN EN 175301-803-A (DIN 43650-A); socket device included	013
M 12x1 - DIN EN 61076-2-101-A	002
Bayonet ISO 15170-A1-4.1 (DIN 72585-A1-4.1)	004
AMP Superseal 1.5®	007
Deutsch DT04-3P	010
Cable connection (length of cable 2 m standard)	011

Order number:	05XX	XXX	XX	X	XXX
----------------------	-------------	------------	-----------	----------	------------

¹⁾ Please state switching point and hysteresis when ordering.

²⁾ Static pressure, dynamic pressure 30 to 50% lower. Values refer to the hydraulic or pneumatic part of the electronic pressure switch.



E

E.2

hex 24
Performance
adjustable by user

Electronic pressure switches, Performance series

hex 24, adjustable by user



- Very competitively priced electronic pressure switches
- High overpressure protection (up to 2 x)
- Small, compact electronic switches
- Broad diversity of electronic and mechanical connection options
- High level of adaptability to your requirements (custom solutions)
- Ceramic sensor in thick film technology
- Housing made of stainless steel (1.4305), others on request
- Easy adjustment of switching point from the outside using set screw
- Hysteresis adjustable within broad range (1 % – 98 %, set at factory)

Technical details

Type:	0510 NO 0511 NC					
Transistor output:	PNP output (High-Side N-channel)					
Supply voltage:	9.6 – 32 VDC with reverse voltage protection					
Output current:	0.5 A with short-circuit and overvoltage protection					
Idle power consumption:	< 30 mA					
Adjustment range p_{nom} :	0 – 2 bar	0 – 4 bar	0 – 10 bar	0 – 16 bar	0 – 40 bar	0 – 100 bar
Max. overpressure ¹⁾ :	4 bar	10 bar	20 bar	40 bar	100 bar	200 bar
Burst pressure ¹⁾ :	8 bar	20 bar	35 bar	60 bar	140 bar	300 bar
Mechanical life expectancy:	5,000,000 pulsations at rise rates to 1 bar/ms at p_{nom}					
Pressure rise:	≤ 1 bar/ms					
Accuracy:	± 0.5 % of adjustment range p_{nom} (full scale (FS)) at room temperature					
Switching point adjustment range:	2 ... 100 % of adjustment range p_{nom} (FS), adjustable by user					
Hysteresis:	1 ... 98 % FS, programmable at factory (max. tolerance ± 1.0 % of adjustment range p_{nom})					
Resolution:	0.1 % of adjustment range p_{nom} (FS)					
Long term stability:	± 0.1 % of adjustment range p_{nom} (FS) per year					
Repeatability ²⁾ :	± 0.1 % of adjustment range p_{nom} (FS)					
Switching time:	< 4 ms					
Temperature error ²⁾ :	± 0.04 % of adjustment range p_{nom} (FS) / °C					
Compensated temperature range:	0 °C ... +70 °C (32 °F ... 158 °F), total error ≤ 2 %					
Temperature range ambient:	-30 °C ... +100 °C (-22 °F ... 212 °F)					
Temperature range media:	with NBR seal: -30 °C ... +100 °C (-22 °F ... +212 °F)					
	with EPDM seal: -30 °C ... +125 °C (-22 °F ... +257 °F)					
	with FKM seal: -20 °C ... +125 °C (-4 °F ... +257 °F)					
Wetted parts material	Housing:	Stainless steel 1.4305 (AISI 303)				
	Measuring cell:	Ceramic				
	Seal material:	NBR, EPDM or FKM				
Insulation resistance:	> 100 M Ω (500 VDC, $R_i > 42 \Omega$)					
Vibration resistance:	20 g; at 4 ... 2000 Hz sine wave; DIN EN 60068-2-6					
Shock resistance:	500 m/s ² ; 11 ms half sine wave; DIN EN 60068-2-27					
Protection class:	IP65: DIN EN 175301-803-A IP67: M12x1, AMP Superseal®, cable connector IP67 and IP6K9K: Bayonet ISO 15170-A1-4.1, Deutsch DT04-3P					
Electromagnetic compatibility:	EMC 2014/30/EU, EN 61000-6-2:2005, EN 61000-6-3:2007					
Cable output thread size:	For DIN EN 175301: Pg9 (outside diameter of cable 6 to 9 mm)					
Weight:	approx. 80 g (DIN EN 175301 approx. 110 g)					

¹⁾ Static pressure, dynamic pressure 30 to 50% lower. Values refer to the hydraulic or pneumatic part of the electronic pressure switch.

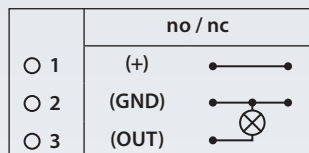
²⁾ Within the compensated temperature range

E.2

hex 24
Performance
adjustable by user



hex 24



0510 / 0511

Electrical connectors and threads

DIN EN 175301-803-A

Pin	Assignment
1	U _{v+}
2	Gnd
3	U _{out}
PE	PE

IP65

x ~ 60 mm without coupler socket
x ~ 77 mm with coupler socket

Order number: 013

M 12 – DIN EN 61076-2-101 A

Pin	Assignment
1	U _{v+}
2	nc
3	Gnd
4	U _{out}

IP67

x ~ 54 mm

Order number: 002

ISO 15170-A1-4.1

Pin	Assignment
1	U _{v+}
2	nc
3	Gnd
4	U _{out}

IP67, IP6K9K

x ~ 56 mm

Order number: 004

AMP Superseal 1.5°

Pin	Assignment
1	U _{out}
2	Gnd
3	U _{v+}

IP67

x ~ 61 mm

Order number: 007

Deutsch DT04-3P

Pin	Assignment
A	U _{v+}
B	Gnd
C	U _{out}

IP67, IP6K9K

x ~ 61 mm

Order number: 010

Thread code: 41

Thread code: 09



0510 / 0511

Order matrix for electronic pressure switches

E.2

hex 24
Performance
adjustable by user



	Type	Adjustment range	Pressure connection	Seal material	Electrical connection
--	-------------	-------------------------	----------------------------	----------------------	------------------------------

Type

EDS, NOC, PNP, with switching point adjustment by potentiometer	0510
EDS, NCC, PNP, with switching point adjustment by potentiometer	0511

Max. overpressure ¹⁾	Burst pressure	Adjustment range	
4 bar	8 bar	0 – 2 bar (approx. 29 PSI)	200
10 bar	20 bar	0 – 4 bar (approx. 58 PSI)	400
20 bar	35 bar	0 – 10 bar (approx. 145 PSI)	101
40 bar	60 bar	0 – 16 bar (approx. 230 PSI)	161
100 bar	140 bar	0 – 40 bar (approx. 580 PSI)	401
200 bar	300 bar	0 – 100 bar (approx. 1,450 PSI)	102

Pressure connection

G 1/4 – ISO 1179-2 (DIN 3852), form E, male thread	41
NPT 1/4	09

Seal material – Application areas

NBR	Hydraulic/machine oil, heating oil, air, nitrogen, etc.	1
EPDM	Brake fluid, water, acetylene, hydrogen, etc.	2
FKM	Hydraulic fluids (HFA, HFB, HFD), petrol/gasoline, etc.	3

Electrical connection

DIN EN 175301-803-A (DIN 43650-A) coupler socket included in delivery	013
M 12x1 - DIN EN 61076-2-101-A	002
Bayonet ISO 15170-A1-4.1 (DIN 72585-A1-4.1)	004
AMP Superseal 1.5®	007
Deutsch DT04-3P	010

Order number:	05XX	XXX	XX	X	XXX
----------------------	-------------	------------	-----------	----------	------------

¹⁾ Static pressure, dynamic pressure 30 to 50% lower. Values refer to the hydraulic or pneumatic part of the electronic pressure switch.



E

E.3

hex 27 / 30 A/F
adjustable by user

Electronic pressure switches

hex 27 and 30 A/F, adjustable by user



- Ceramic sensor in thick film technology
- High overpressure protection to 500 bar
- Easy adjustment of switching point from the outside using set screw
- Hysteresis available within broad range (1 % – 98 %, set at factory)
- **Very high switching currents (to 1.4 A)**

Technical details

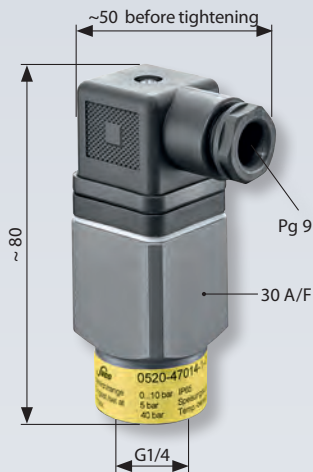
Type:	0520 NO or NC		
Transistor output:	PNP output (High-Side N-channel)		
Supply voltage:	15 – 36 VDC		
Output current:	1.4 A transistor output (PNP, DC12) with short-circuit and overvoltage protection		
Idle power consumption:	< 15 mA		
Adjustment range p _{nom} :	0 – 10 bar	0 – 100 bar	0 – 250 bar
Max. overpressure ¹⁾ :	20 bar	150 bar	500 bar
Burst pressure ¹⁾ :	25 bar	175 bar	600 bar
Mechanical life expectancy:	5,000,000 switching cycles in adjustment range at p _{nom}		
Pressure rise:	≤ 1 bar/ms		
Accuracy:	±0.5 % of adjustment range p _{nom} (full scale (FS)) at room temperature		
Switching point adjustment range:	2 ... 100 % of adjustment range p _{nom} (FS), set from outside using set screw		
Hysteresis:	2 ... 95 % FS, programmable at factory (max. tolerance ± 1.0% of adjustment range)		
Standard hysteresis without order specification:	approx. 0.5 bar	approx. 5 bar	approx. 10 bar
Resolution:	0.15 % of adjustment range p _{nom} (FS)		
Long term stability:	±0.1 % of adjustment range p _{nom} (FS) per year		
Repeatability ²⁾ :	±0.1 % of adjustment range p _{nom} (FS)		
Switching time:	< 4 ms		
Temperature error ²⁾ :	±0.04 % of adjustment range p _{nom} (FS) / °C		
Compensated temperature range:	0 °C ... +70 °C (32 °F ... 158 °F), total error ≤ 2 %		
Temperature range ambient:	-30 °C ... +80 °C (-22 °F ... 212 °F)		
Temperature range media:	with NBR seal: -30 °C ... +100 °C (-22 °F ... +212 °F)		
	with EPDM seal: -30 °C ... +125 °C (-22 °F ... +257 °F)		
	with FKM seal: -20 °C ... +125 °C (-4 °F ... +257 °F)		
Wetted parts material	Housing:	zinc-plated steel	
	Measuring cell:	Ceramic	
	Seal material:	NBR, EPDM or FKM	
Insulation resistance:	> 100 MΩ (500 VDC, Ri > 42 Ω)		
Vibration resistance:	10 g at 4 ... 2000 Hz sine wave; DIN EN 60068-2-6		
Shock resistance:	294 m/s ² ; 11 ms half sine wave; DIN EN 60068-2-27		
Protection class:	IP65: (DIN EN 175301-803-A); IP67: (M12x1)		
Electromagnetic compatibility:	EMC 2014/30/EU, EN 61000-6-2:2005, EN 61000-6-3:2007		
Weight:	approx. 240 g		

¹⁾ Static pressure, dynamic pressure 30 to 50% lower. Value refers to the hydraulic or pneumatic part of the electronic pressure switch.

²⁾ Within the compensated temperature range

E.3

hex 27 / 30 A/F
adjustable by user



no / nc	
○ 1	(+)
○ 2	(GND)
○ 3	(OUT)



0520

Electrical connectors and threads

DIN EN 175301-803-A (DIN 43650-A)

Pin	Assignment
1	Uv+
2	Gnd
3	U _{out}
PE	PE

IP65
Cable output Pg9
(outside diameter of cable 6 to 9 mm)

Order number: 001

Thread code: 14

M 12x1 - DIN EN 61076-2-101-A

Pin	Assignment
1	Uv+
2	nc
3	Gnd
4	U _{out}

IP67

Order number: 002

Thread code: 41

0520

Order matrix for electronic pressure switches

E.3

hex 27 / 30 A/F
adjustable by user



	Type	Adjustment range	Pressure connection	Seal material	Electrical connection
--	------	------------------	---------------------	---------------	-----------------------

Type

Electronic pressure switch	0520
----------------------------	------

Adjustment range¹⁾ for NO

0 – 10 bar (approx. 145 PSI)	470
0 – 100 bar (approx. 1450 PSI)	472
0 – 250 bar (approx. 3620 PSI)	474

Adjustment range¹⁾ for NC

0 – 10 bar (approx. 145 PSI)	471
0 – 100 bar (approx. 1450 PSI)	473
0 – 250 bar (approx. 3620 PSI)	475

Pressure connection

G 1/4 – female thread	14
G 1/4 – ISO 1179-2 (DIN 3852), form E, male thread	41

Seal material – Application areas

NBR	Hydraulic/machine oil, heating oil, air, nitrogen, etc.	1
EPDM	Brake fluid, water, acetylene, hydrogen, etc.	2
FKM	Hydraulic fluids (HFA, HFB, HFD), petrol/gasoline, etc.	3

Electrical connection

DIN EN 175301-803-A (DIN 43650-A) ; socket device included	001
M 12x1 - DIN EN 61076-2-101-A	002

Order number:	0520	47X	XX	X	XXX
----------------------	------	-----	----	---	-----

Also available factory adjusted. If you require factory adjustment, please state switching point and hysteresis when ordering.

¹⁾ Static pressure, dynamic pressure 30 to 50% lower. Value refers to the hydraulic or pneumatic part of the electronic pressure switch.



Menu-controlled electronic pressure switches

display



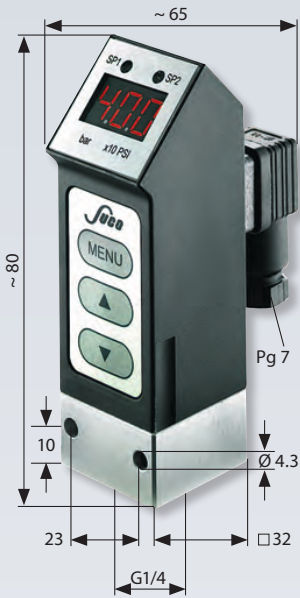
- Menu-controlled, simple programming of switching functions
- 2 switching outputs and 1 analogue output
- Numerous programming functions, such as
 - switching time delay
 - zero point reset
 - peak value memory
 - switching point counter
- Current pressure value and switching states shown on 3-digit display
- Very high switching currents up to 1.4 A

Technical details

Type:	0570 Electronic pressure switches
Switching function:	NC/NO, programmable, 2 switching points, switching time delay, zero point reset, peak value memory (within adjustment range), switching point counter
Settings:	Programmable using keypad on front
Outputs:	2 transistor outputs (each 1.4 A DC12 / PNP) 1 analogue output (4 – 20 mA)
Supply voltage U_B :	12 – 30 VDC
Switching status display:	2 LEDs (yellow)
Pressure display:	Current pressure displayable in bar or PSI on 3-digit LED (red)
Life expectancy:	5,000,000 pulsations at rise rates to 1 bar/ms at p_{nom}
Pressure rise rate:	≤ 1 bar / ms
Switching time:	< 4 ms
Switching time delay:	Adjustable between 0 and 3.0 s
Hysteresis:	1 – 99 % FS, programmable from keypad
Accuracy:	± 0.5 % (FS at room temperature)
Accuracy, display:	± 0.5 % (FS at room temperature) ± 2 digits
Temperature drift:	± 0.2 % / 1 °C
Temperature range:	NBR, EPDM: -20 °C ... $+80$ °C FKM: -5 °C ... $+80$ °C
Temperature compensation:	-20 °C ... $+80$ °C, error $\leq \pm 1.5$ % overall
Materials:	Wetted parts anodised aluminium, body made of die-casted zinc
Vibration resistance:	10 g at 5 ... 2000 Hz sine wave; DIN EN 60068-2-6
Shock resistance:	294 m/s ² ; 11 ms half sine wave; DIN EN 60068-2-27
Protection class:	IP65
EMV:	acc. to EN 50081-1, EN 50081-2, EN 50082-2
Weight:	approx. 340 g
Access pin:	The switch can be protected with a pin between 1 and 999

E.4

menu-controlled



0570

Electronic pressure switches

- Anodised aluminium and die-casted zinc
- Ceramic measuring cell in thick-film technology
- Supply voltage 12 ... 30 VDC
- Overpressure protection to 20 / 150 / 600 bar¹⁾
- Programmable using keypad on front
- Switching time delay (setting from 0 to 3 s)
- Peak value memory (within the measurement range)
- Pin protection possible to prevent misuse
- Socket device included

pmax. in bar	Burst pressure in bar	Adjustment range in bar	Thread	Order number:
--------------	-----------------------	-------------------------	--------	---------------

0570 Electronic switches

20 ¹⁾	25	0 – 10	G 1/4 female	0570 – 467 14 – X – 001
150 ¹⁾	175	0 – 100		0570 – 468 14 – X – 001
600 ¹⁾	700	0 – 400		0570 – 469 14 – X – 001

Seal material – Application areas

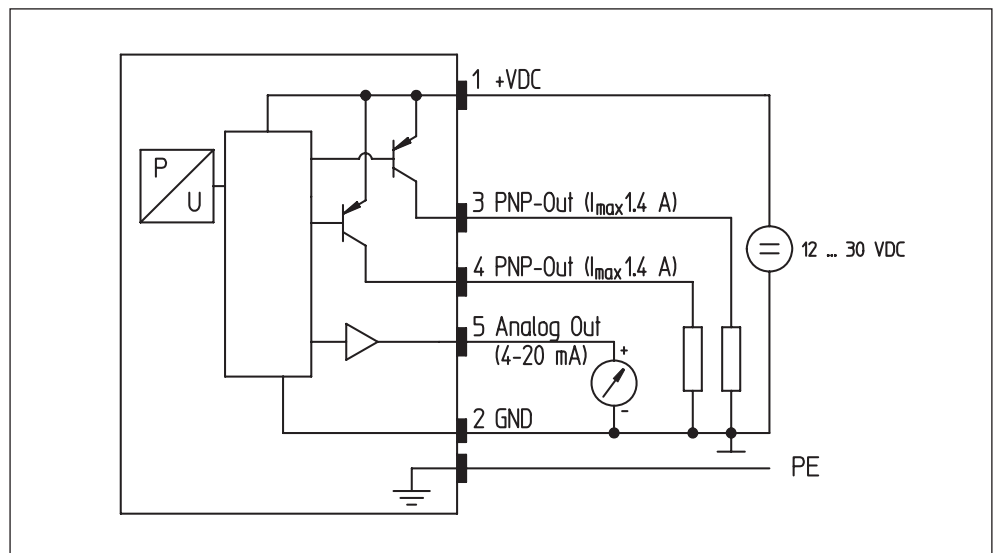
NBR	Hydraulic/machine oil, heating oil, air, nitrogen, etc.	1
EPDM	Brake fluid, water, acetylene, hydrogen, etc.	2
FKM	Hydraulic fluids (HFA, HFB, HFD), petrol/gasoline, etc.	3

Refer to page 119 for the temperature range and application thresholds of sealing materials



Order number: 0570 – XXX 14 – X – 001

Wiring chart



¹⁾ Static pressure, dynamic pressure 30 to 50% lower. Values refer to the hydraulic or pneumatic part of the electronic pressure switch.



E.5

hex 22
High Performance
1 switching output

Electronic pressure switches, High-Performance series

hex 22 with one switching output



- Outstanding overpressure protection (up to 4 x)
- Ideal choice for mobile hydraulic applications
- Long service life even under high pressure change rates
- Wetted parts made of stainless steel and titanium ensuring excellent media compatibility
- All welded design, no elastomeric seal
- Silicon-on-sapphire technology (SoS) for highest reliability, accuracy and reliable process monitoring
- Very low temperature error and very good long-term stability
- Adjustment of switching point and hysteresis at factory

For versions with 2 switching outputs,
please refer to chapter E.6, page 126

Technical details

Type	0530 NO 0531 NC		0532 NO 0533 NC		
Number of transistor outputs:	1 PNP output (High Side N-channel MOSFET)		1 NPN output (Low Side N-channel MOSFET)		
Supply voltage:	9.6 – 32 VDC				
Idle power consumption:	< 15 mA				
Standard adjustment range p_{nom} :	0 – 10 bar	0 – 25 bar	0 – 100 bar	0 – 250 bar	0 – 600 bar
Overpressure protection $p_u^{1)}$:	40 bar	100 bar	400 bar	1,000 bar	1,650 bar
Burst pressure ¹⁾ :	80 bar	200 bar	800 bar	2,000 bar	2,000 bar
Mechanical life expectancy:	10,000,000 pulsations at rise rates to 5 bar/ms at p_{nom}				
Permitted pressure change rate:	≤ 5 bar / ms				
Switching point adjustment range:	2 ... 100 % of the nominal pressure range (Full Scale, FS), programmable at factory				
Hysteresis:	0.2 ... 99.8 % of the nominal pressure range (FS), programmable at factory (set to 5% of the switching point as standard)				
Accuracy:	± 0.5 % of the nominal pressure range (FS) at room temperature, ± 0.25 % BFSL				
Resolution:	0.1 % of the nominal pressure range (FS)				
Switching delay:	ON (0 ... 0.5 s) / OFF (0 ... 2 s) delay in increments of 1 ms, irrespective of switching point, programmable at factory (specify value when ordering, otherwise default value of 0 s is set)				
Output:	0.5 A transistor output with short-circuit and overvoltage protection				
Operating mode:	With hysteresis or window mode, programmable at factory				
Long term stability:	± 0.1 % FS p. a.				
Repeatability ¹⁾ :	± 0.1 % FS				
Temperature error ¹⁾ :	± 0.02 % / 1 K FS				
Compensated temperature range:	-20 °C ... +80 °C (-4 °F ... +176 °F)				
Temperature range media:	-40 °C ... +125 °C (-40 °F ... +257 °F)				
Temperature range ambient:	-40 °C ... +100 °C (-40 °F ... +212 °F)				
Wetted parts material:	Stainless steel 1.4305 (AISI 303) and titanium				
Housing material:	Stainless steel 1.4305 (AISI 303)				
Insulation resistance:	> 100 M Ω (500 VDC, $R_i > 42 \Omega$)				
Switching time:	< 2 ms				
Vibration resistance:	20 g at 4 ... 2000 Hz sine wave; DIN EN 60068-2-6				
Shock resistance:	half sine wave 500 m/s ² ; 11 ms; DIN EN 60068-2-27				
Protection class:	Refer to the electrical connections				
EMC:	EMC 2014/30/EU, EN 61000-6-2:2005, EN 61000-6-3:2007				
Protection against reverse polarity, short-circuit and over voltage surges:	built-in				
Weight:	approx. 80 g (DIN 175301 approx. 110 g, cable version approx. 135 g)				

¹⁾ Within the compensated temperature range.

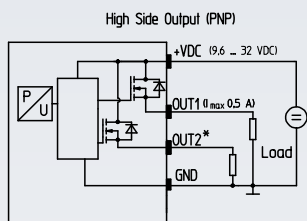
²⁾ Static pressure. Dynamic value is 30 to 50 % lower. Values refer to the hydraulic/pneumatic part of the electronic pressure switch.

E.5

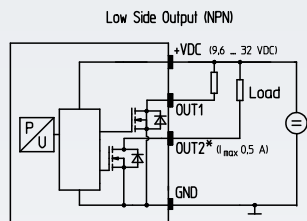
hex 22
High Performance
1 switching output



Connection diagrams



Pin assignment depending on electr. connection
*OUT2 only for 054x



Pin assignment depending on electr. connection
*OUT2 only for 054x

Technical modifications and errors excepted.



0530 / 0531 / 0532 / 0533

Electrical connectors and threads

DIN EN 175301-803-A

Pin	Assignment
1	Uv+
2	Out
3	Gnd
PE	

IP65
x ~ 60 / 76 mm*
d ~ Ø 30 mm
Order number: 001

M 12 – DIN EN 61076-2-101 A

Pin	Assignment
1	Uv+
2	nc
3	Gnd
4	Out

IP67
x ~ 54 mm
d ~ Ø 22 mm
Order number: 002

ISO 15170-A1-4.1

Pin	Assignment
1	Uv+
2	nc
3	Gnd
4	Out

IP67, IP6K9K
x ~ 65 mm mm
d ~ Ø 27 mm
Order number: 004

AMP Superseal

Pin	Assignment
1	Out
2	Gnd
3	Uv+

IP67
x ~ 73 mm
d ~ Ø 26 mm
Order number: 007

* without coupler socket x ~ 60 mm, with coupler socket x ~ 76 mm

DEUTSCH DT04-4P

Pin	Assignment
1	Gnd
2	Uv+
3	nc
4	Out

IP67, IP6K9K
x ~ 74 mm
d ~ Ø 23 mm
Order number: 008

DEUTSCH DT04-3P

Pin	Assignment
A	Uv+
B	Gnd
C	Out

IP67, IP6K9K
x ~ 74 mm
d ~ Ø 23 mm
Order number: 010

Cable connection

Cable	Assignment
red	Uv+
white	Out
black	Gnd

IP67
x ~ 44 mm (+ 20 mm bend relief)
cable length ~ 2 m
d ~ Ø 22 mm
Order number: 011

Thread code: 41

Thread code: 03

Thread code: 04

Thread code: 09

Thread code: 30

Thread code: 20

Thread code: 21

Thread code: 42

0530 / 0531 / 0532 / 0533

Order matrix for electronic pressure switches

E.5

hex 22
High Performance
1 switching output



	Type	Pressure range	Pressure connection	Pressure unit	Electrical connection
Type	↓	↓	↓	↓	↓
PNP output (High Side), NO	0530				
PNP output (High Side), NC	0531				
NPN output (Low Side), NO	0532				
NPN output (Low Side), NC	0533				

Max. overpressure ²⁾	Burst pressure	Adjustment range ¹⁾	
40 bar	80 bar	0 – 10 bar (approx. 145 PSI)	101
100 bar	200 bar	0 – 25 bar (approx. 362 PSI)	251
400 bar	800 bar	0 – 100 bar (approx. 1,450 PSI)	102
1,000 bar	2,000 bar	0 – 250 bar (approx. 3,620 PSI)	252
1,650 bar	2,000 bar	0 – 600 bar (approx. 8,700 PSI)	602

Pressure connection	
G 1/4 – DIN EN ISO 1179-2 (DIN 3852-11) form E	41
G 1/4 – DIN 3852-A	03
NPT 1/8	04
NPT 1/4	09
M 10x1 cyl. DIN 3852-A	30
7/16-20 UNF	20
9/16-18 UNF	21
M 14x1.5 – DIN EN ISO 9974-2 (DIN 3852-11) form E	42

Pressure unit	
bar	B

Electrical connection	
DIN EN 175301-803-A (DIN 43650-A); socket device included	001
M 12 – DIN EN 61076-2-101 A	002
Bayonet ISO 15170-A1-4.1 (DIN 72585-A1-4.1)	004
AMP Superseal 1.5®	007
Deutsch DT04-4P	008
Deutsch DT04-3P	010
Cable connection (length of cable 2 m standard)	011

Order number:	05XX	XXX	XX	B	XXX
----------------------	------	-----	----	---	-----

¹⁾ Please state switching point and hysteresis when ordering.

²⁾ Static pressure, dynamic pressure 30 to 50% lower. Value refers to the hydraulic or pneumatic part of the electronic pressure switch.



E

E.6

hex 22
High Performance
2 switching outputs

Electronic pressure switches, High-Performance series

hex 22 with two switching outputs



- Outstanding overpressure protection (up to 4 x)
- Ideal choice for mobile hydraulic applications
- Long service life even under high pressure change rates
- Wetted parts made of stainless steel and titanium ensuring excellent media compatibility
- All welded design, no elastomeric seal
- Silicon-on-sapphire technology (SoS) for highest reliability, accuracy and reliable process monitoring
- Very low temperature error and very good long-term stability
- Adjustment of switching point and hysteresis at factory

Technical details

Type	0540 NO / NO 0541 NC / NC 0542 NO / NC		0544 NO / NO 0545 NC / NC 0546 NO / NC		
Number of transistor outputs:	2 PNP outputs (High Side N-channel MOSFET)		2 NPN outputs (Low Side N-channel MOSFET)		
Supply voltage:	9.6 – 32 VDC				
Idle power consumption:	< 15 mA				
Standard-Adjustment range p_{nom} :	0 – 10 bar	0 – 25 bar	0 – 100 bar	0 – 250 bar	0 – 600 bar
Overpressure protection $p_u^{1)}$:	40 bar	100 bar	400 bar	1,000 bar	1,650 bar
Burst pressure ¹⁾ :	80 bar	200 bar	800 bar	2,000 bar	2,000 bar
Mechanical life expectancy:	10,000,000 pulsations at rise rates to 5 bar/ms at p_{nom}				
Permitted pressure change rate:	≤ 5 bar / ms				
Switching point adjustment range:	2 ... 100 % of the nominal pressure range (Full Scale, FS), programmable at factory				
Hysteresis:	0.2 ... 99.8 % of the nominal pressure range (Full Scale, FS), programmable at factory (5 % of the switching point is set as standard)				
Accuracy:	± 0.5 % of the nominal pressure range (FS) at room temperature, ± 0.25 % BFSL				
Resolution:	0.1 % of the nominal pressure range (FS)				
Switching delay:	ON (0 ... 0.5 s) / OFF (0 ... 2 s) delay in increments of 1 ms, irrespective of switching point, programmable at factory (specify value when ordering, otherwise default value of 0 s is set)				
Output:	0.5 A transistor output with short-circuit and overvoltage protection				
Long term stability:	± 0.1 % FS p. a.				
Repeatability ¹⁾ :	± 0.1 % FS				
Temperature error ¹⁾ :	± 0.02 % / 1 K FS				
Compensated temperature range:	-20 °C ... +80 °C (-4 °F ... +176 °F)				
Temperature range media:	-40 °C ... +125 °C (-40 °F ... +257 °F)				
Temperature range ambient:	-40 °C ... +100 °C (-40 °F ... +212 °F)				
Wetted parts material:	Stainless steel 1.4305 (AISI 303) and titanium				
Housing material:	Stainless steel 1.4305 (AISI 303)				
Insulation resistance:	> 100 M Ω (500 VDC, $R_i > 42 \Omega$)				
Switching time:	< 2 ms				
Vibration resistance:	20 g at 4 ... 2000 Hz sine wave; DIN EN 60068-2-6				
Shock resistance:	half sine wave 500 m/s ² ; 11 ms; DIN EN 60068-2-27				
Protection class:	Refer to the electrical connections				
EMC:	EMC 2014/30/EU, EN 61000-6-2:2005, EN 61000-6-3:2007				
Short-circuit, overvoltage and reverse polarity protection	Built-in				
Weight:	approx. 80 g (DIN 175301 approx. 110 g, cable version approx. 135 g)				

¹⁾ Within the compensated temperature range.

²⁾ Static pressure. Dynamic value is 30 to 50 % lower. Values refer to the hydraulic/pneumatic part of the electronic pressure switch.

E.6

hex 22
High Performance
2 switching outputs

0540 / 0541 / 0542 / 0544 / 0545 / 0546

Electrical connectors and threads



M 12 – DIN EN 61076-2-101 A

Pin	Assignment
1	Uv+
2	Out 2
3	Gnd
4	Out 1

IP67
x ~ 54 mm
d ~ Ø 22 mm
Order number: 002

ISO 15170-A1-4.1

Pin	Assignment
1	Uv+
2	Out 2
3	Gnd
4	Out 1

IP67, IP6K9K
x ~ 65 mm
d ~ Ø 27 mm
Order number: 004

DEUTSCH DT04-4P

Pin	Assignment
1	Gnd
2	Uv+
3	Out 2
4	Out 1

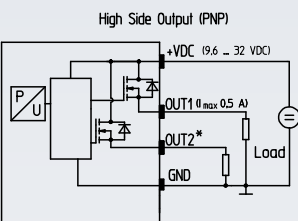
IP67, IP6K9K
x ~ 74 mm
d ~ Ø 23 mm
Order number: 008

Cable connection

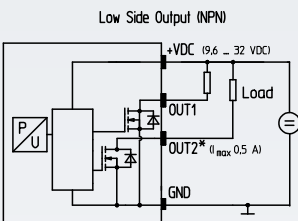
Cable	Assignment
brown	Uv+
white	Out 2
black	Out 1
blue	Gnd

IP67
x ~ 44 mm (+ 20 mm bend relief)
Cable length ~ 2 m
d ~ Ø 22 mm
Order number: 011

Connection diagrams



Pin assignment depending on electr. connection
*OUT2 only for 054x



Pin assignment depending on electr. connection
*OUT2 only for 054x

Technical modifications and errors excepted.

Thread code: 41

Thread code: 03

Thread code: 04

Thread code: 09

Thread code: 30

Thread code: 20

Thread code: 21

Thread code: 42



0540 / 0541 / 0542 / 0544 / 0545 / 0546

Order matrix for electronic pressure switches

E.6

hex 22
High Performance
2 switching outputs



	Type	Pressure range	Pressure connection	Pressure unit	Electrical connection
--	------	----------------	---------------------	---------------	-----------------------

Type

PNP output (High Side), NO / NO (NO/NO)	0540
PNP output (High Side), NC / NC (NC/NC)	0541
PNP output (High Side), NO / NC (NO/NC)	0542
NPN output (Low Side), NO / NO (NO/NO)	0544
NPN output (Low Side), NC / NC (NC/NC)	0545
NPN output (Low Side), NO / NC (NO/NC)	0546

Max. overpressure ²⁾	Burst pressure	Adjustment range ¹⁾	
40 bar	80 bar	0 – 10 bar (approx. 145 PSI)	101
100 bar	200 bar	0 – 25 bar (approx. 362 PSI)	251
400 bar	800 bar	0 – 100 bar (approx. 1,450 PSI)	102
1,000 bar	2,000 bar	0 – 250 bar (approx. 3,620 PSI)	252
1,650 bar	2,000 bar	0 – 600 bar (approx. 8,700 PSI)	602

Pressure connection

G 1/4 – DIN EN ISO 1179-2 (DIN 3852-11) form E	41
G 1/4 – DIN 3852-A	03
NPT 1/8	04
NPT 1/4	09
M 10x1 cyl. DIN 3852-A	30
7/16-20 UNF	20
9/16-18 UNF	21
M 14x1,5 – DIN EN ISO 9974-2 (DIN 3852-11) form E	42

Pressure unit

bar	B
-----	---

Electrical connection

M 12 – DIN EN 61076-2-101 A	002
Bayonet ISO 15170-A1-4.1 (DIN 72585-A1-4.1)	004
Deutsch DT04-4P	008
Cable connection (length of cable 2 m standard)	011

Order number:	05XX	XXX	XX	B	XXX
----------------------	------	-----	----	---	-----

¹⁾ Please state switching point and hysteresis when ordering.

²⁾ Static pressure, dynamic pressure 30 to 50% lower. Values refer to the hydraulic or pneumatic part of the electronic pressure switch.



E



- High-quality accessories
- Developed for our products
- Aligned to our products
- Direct from the manufacturer

Accessories

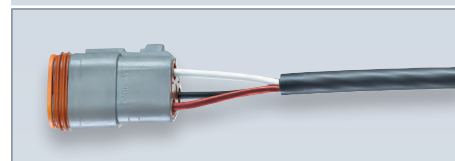
Mating plugs

E.7

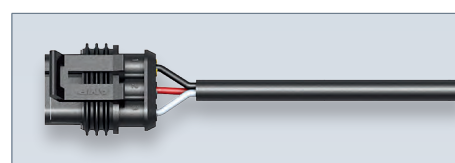
Accessories



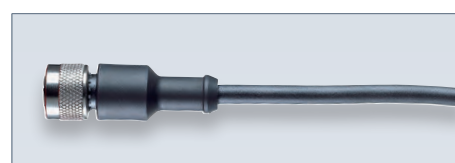
<p>Deutsch DT06-3S (for DT04-3P) 3 x 0.5 mm² PUR cable (2 m), IP67</p>	<p>Suitable for connector code 010 Deutsch DT04-3P</p>	<p>Order number: 1-1-36-653-160</p>
--	--	--



<p>TE AMP Superseal 1.5[®], 3-pin 3 x 0.5 mm² Radox cable (2 m), IP65</p>	<p>Suitable for connector code 007 AMP Superseal 1.5[®]</p>	<p>Order number: 1-1-32-653-158</p>
--	--	--



<p>M12 DIN EN 61076-2-LF, 4-pin 4 x 0.34 mm² PUR cable (2 m), IP65</p>	<p>Suitable for connector code 002 M12 DIN EN 61076-2-101 A</p>	<p>Order number: 1-1-00-653-162</p>
--	---	--



<p>M 12x1 DIN EN 61071-2-101 D straight, 4-pin Terminals for wire diameter 0.75 mm² (AWG 18)</p>	<p>Suitable for connector code 002 M12 DIN EN 61076-2-101 A</p>	<p>Order number: 1-6-00-652-016</p>
--	---	--



<p>Coupler socket M 12x1 DIN EN 61071-2-101 D Angled, 4-pin Terminals for wire diameter 0.75 mm² (AWG 18)</p>	<p>Suitable for connector code 002 M12 DIN EN 61076-2-101 A</p>	<p>Order number: 1-6-00-652-017</p>
---	---	--



Thread adapters

For requirements at short notice and for realising custom solutions

- The materials and shapes of thread adapters are aligned perfectly to our electronic pressure switches and transmitters
- Thread adapters are provided together with seals to ensure safe and easy installation of our electronic pressure switches and transmitters



For G 1/4 DIN EN ISO 1179-1 (DIN 3852-E)
SUCO thread code 41, transmitters and electronic pressure switches

Stainless steel 1.4305 / AISI 303 thread adapters

**G 1/4
DIN EN ISO 1179-1 (DIN 3852-E)
female thread**

M10 x 1 form A DIN 3852-1	M14 x 1.5 form E DIN 3852-E incl. sealing ring FKM	NPT 1/ 4-18	9/16 -18UNF incl. O-ring FKM
Order number:	Order number:	Order number:	Order number:
1-1-00-420-020	1-1-00-420-028	1-1-00-420-021	1-1-00-420-027

T • Pressure Transmitters





T. Overview of pressure transmitters

Technical explanations for pressure transmitters

from page 138

Selection matrix

A guide to choosing the correct pressure transmitter

from page 143

Pressure transmitters with ceramic measuring cell



T.1. Pressure transmitters, Performance series, hex 24

from page 144

Standard pressure ranges: 0 – 2 bar, 0 – 4 bar, 0 – 10 bar, 0 – 16 bar,
0 – 40 bar, 0 – 100 bar

Overpressure protection: 2 x

Output signal (alternative): 0 – 10 V or
4 – 20 mA

Housing materials: Stainless steel 1.4305 (AISI 303)

Sealing materials: NBR, EPDM, FKM

Thread: G 1/4 E, NPT 1/4

Types: 0601, 0602

Pressure transmitters with oil-filled measuring cell



T.2. Robust pressure transmitter, hex 22, stainless steel „303“

from page 148

Standard pressure ranges: -1 – 0 bar (vacuum),
0 – 1 bar, 0 – 4 bar, 0 – 6 bar, 0 – 10 bar,
0 – 16 bar, 0 – 40 bar, 0 – 100 bar

Overpressure protection: 2 x

Output signal (alternative): 0.5 – 4.5 V ratiometric or
0 – 10 V or
4 – 20 mA

Housing materials: Stainless steel 1.4305 (AISI 303)

Sealing materials: NBR, FKM

Thread: G 1/4 E

Types: 0645, 0650, 0660

T.3. Robust pressure transmitter, hex 22, stainless steel „316 L“

from page 152

Standard pressure ranges: -1 – 0 bar (vacuum),
0 – 1 bar, 0 – 4 bar, 0 – 6 bar, 0 – 10 bar,
0 – 16 bar, 0 – 40 bar, 0 – 100 bar

Overpressure protection: 2 x

Output signal (alternative): 0.5 – 4.5 V ratiometric or
0 – 10 V or
4 – 20 mA

Housing materials: Stainless steel 1.4404 (AISI 316 L)

Sealing materials: NBR, FKM

Thread: G 1/4 E

Types: 0675, 0680, 0690



Pressure transmitters with SoS technology



T.4. Pressure transmitters, High-Performance series, hex 22

from page 156

Standard pressure ranges: 0 – 10 bar, 0 – 16 bar, 0 – 25 bar, 0 – 40 bar,
0 – 60 bar, 0 – 100 bar, 0 – 160 bar,
0 – 250 bar, 0 – 400 bar, 0 – 600 bar

Overpressure protection: Up to 4 x

Output signal (alternative): 0.5 – 4.5 V ratiometric or
0 – 10 V or
4 – 20 mA

Housing materials: Stainless steel 1.4305 (AISI 303)

Sealing materials: All welded, without elastomeric seal

Thread: different male threads

Types: 0705, 0710, 0720



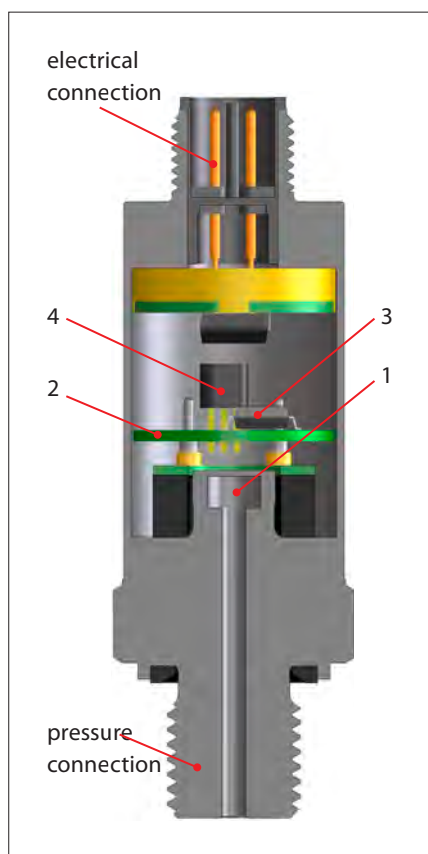
T.5. Accessories

from page 160

- Mating plugs
- Thread-Adapters
- Display



Technical explanations for pressure transmitters



What is a pressure transmitter?

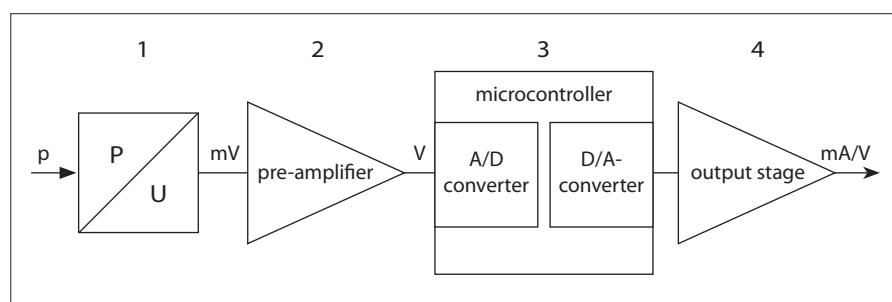
A pressure transmitter (also called pressure transducer or pressure converter) is a component used to convert a pneumatic or hydraulic pressure to an electric (usually analogue and linear) output signal, such as a current or voltage.

How does a pressure transmitter work?

The pressure measuring cell fitted has a membrane (1) that is exposed to the pressure to be measured. Affixed on this membrane is a bridge circuit consisting of four ohmic resistors in the form of a Wheatstone bridge. The values of these resistors change proportionally to the pressure load present at the measuring cell or membrane. The bridge voltage of the measuring cell is amplified in the evaluation electronics (2) and processed digitally by a microcontroller (3).

The downstream output stage (4) converts this signal to the output signal required (such as 4 - 20 mA or 0 - 10 V).

Block diagram:



SoS technology

In the silicone-on-sapphire technology, the substrate of the thin film measuring cell is synthetic sapphire. This has excellent mechanical and temperature stable properties and prevents undesired parasitic effects, thereby having a positive effect on accuracy and stability. In conjunction with a titanium membrane, this results in virtually unique coaction between the temperature coefficients of sapphire and titanium.

This is because, unlike silicon and stainless steel, they are more closely matched and so only require a low level of compensation overhead. This also has a favourable effect on long-term stability.

"Oil-filled" stainless steel measuring cell

In this measuring cell technology, the piezo-resistive measuring cell is packaged within a metallic housing filled with fluorine oil. This means the measuring cell is virtually free of external mechanical stress. Fluorine oil has excellent characteristics in regards to temperature and ageing behaviour, and is not flammable and so fits perfectly to oxygen applications. It is not recommended for food applications.

Ceramic measuring cell / thick film technology

Ceramic thick film pressure measuring cells are made up of a sintered ceramic body. The ceramic body sleeve already has the key geometries for the subsequent pressure range. The membrane thickness required and thus, the pressure range required is established with grinding and lapping. The resistors are imprinted with thick film technology and interconnect to form a measuring bridge.

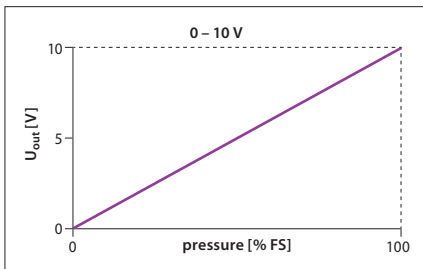
Standard signals

Output signals 4 - 20 mA, 0 - 10 V and 0.5 - 4.5 V ratiometric in particular have established themselves in the industry. SUCO also offers transmitters with customer-specific output signals (such as 1 - 5 V).

Voltage output 0 - 10 V

Transmitters with an output signal of 0 to 10 V are a commonly used variant due to their simple initial operation and straightforward scaling of the signal (0 V for 0 bar). The output load must be selected as highly resistive (with typical minimum value 4.7 kΩ). SUCO transmitters with voltage output have a 3-wire design.

The maximum connection length should not exceed 30 m to prevent significant voltage drops in the signal line.



Conversion formula for pressure and voltage:

$$U_{\text{out}} = \frac{\text{pressure applied}}{\text{pressure range}} \times 10 \text{ V}$$

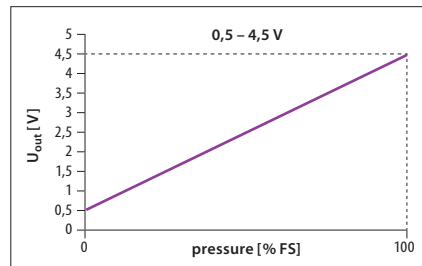
Voltage output 0.5 – 4.5 V ratiometric

SUCO transmitters with ratiometric output are operated with a 5 V supply voltage as a 3-wire configuration.

The output signal is directly proportional/dependent to/on the supply voltage; this is known as a ratiometric dependency.

0.5 – 4.5 V is established as an output voltage because many A/D converters work with reference voltage U_{V+} of 5 V. The output voltage 0.5 V equals to 10% and 4.5 V corresponds to 90% of the supply voltage. The span is therefore 80% of the supply voltage.

This variant is used for example when a transmitter and a downstream A/D converter as an evaluation unit are to be powered with the same reference / operating voltage.



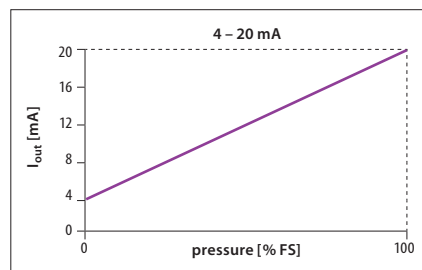
Conversion formula for pressure and voltage:

$$U_{\text{out}} = 0,1 \times U_{V+} + \frac{\text{pressure applied}}{\text{pressure range}} \times 0,8 \text{ V} \times U_{V+}$$

where U_{V+} = operating voltage

Current output 4 – 20 mA

The most common analogue output signal of sensors is 4 – 20 mA current output (as 2-wire configuration). The advantage of a 4 – 20 mA output signal is the 4 mA offset which allows the monitoring of potential wire break and short-circuit (life zero signal). The signal can also be transmitted over long distances with no loss in accuracy. This variant is also the least sensitive to EMC factors. 2-wire technology also means wiring overhead is reduced.



Conversion formula for pressure and current:

$$I_{\text{out}} = 4 \text{ mA} + \frac{\text{pressure applied}}{\text{pressure range}} \times 16 \text{ mA}$$

Load / apparent ohmic resistance for pressure transmitters

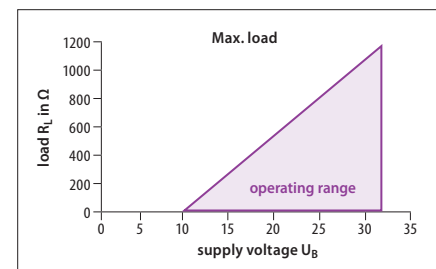
An appropriate ohmic load must be connected to guarantee perfect functioning of a pressure transmitter.

For transmitters with a voltage output (V), the load should be at least 4.7 kΩ.

For transmitters with a current output (4 - 20 mA), the maximum load is calculated using the following formula:

$$R_L = \frac{U_{V+} - U_{V+(\text{min})}}{20 \text{ mA}}$$

$U_{V+(\text{min})}$ is the minimum supply voltage - to be taken from the data sheet. $U_{V+(\text{min})} = 10 \text{ V}$ gives the following operating range for example:



Supply / operating voltage U_B

All pressure transmitters work with DC voltage and have no galvanic isolation. Within the thresholds specified in the relevant data sheet, the supply voltage may change without influencing the output signal. (the ratiometric variant is an exception).

To guarantee the functionality of a transmitter, the minimum supply voltage may not fall below. The maximum operating voltage may not be exceeded to avoid damage on the electronics.

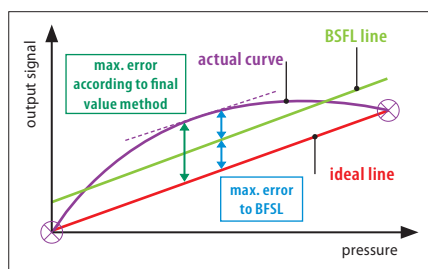
Technical explanations for pressure transmitters

Accuracy (to DIN EN 61298)

The (measuring) accuracy of pressure transmitters is specified by SUCO as $\pm 0.5\%$ or $\pm 1\%$ of the span (also called full scale). Accuracy includes zero point offset, non-linearity, hysteresis and non-repeatability, and is defined at room temperature and new state. This method defines the maximum deviation from the ideal line (in contrast to the BSFL method in which the average deviation is given). Other factors influencing the total accuracy, such as temperature and ageing, are specified separately.

Non-linearity (to DIN EN 61298)

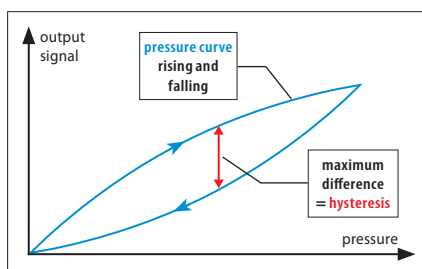
Non-linearity (also linearity) defines the deviation of the actual output curve from the theoretical ideal line. SUCO specifies the maximum error in relation to the overall span or full scale (FS) of the pressure range.



Non-linearity is also shown as BSFL (Best Fit Straight Line) as a reference value in the technical specifications. Non-linearity generally has the biggest influence on the overall error rate. Typically, non-linearity as per BSFL corresponds to half of non-linearity as per the full scale method ($1\% \text{ FS} \sim 0.5\% \text{ BSFL}$).

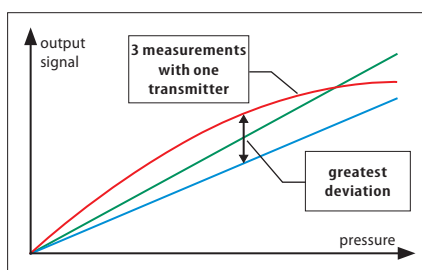
Hysteresis (to DIN EN 61298)

For a pressure transmitter, hysteresis specifies the difference of output signal between a rising and falling pressure, and is typically very low and negligible for SUCO pressure transmitters.



Non-repeatability (to DIN EN 61298)

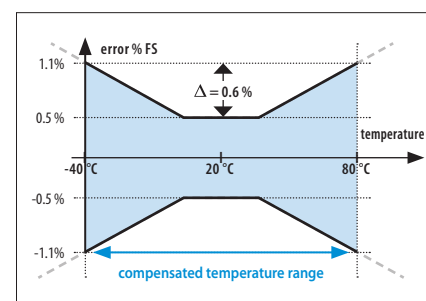
Non-repeatability defines reproducibility of the output signal. The pressure is attained three times for example - the maximum variance between these three values gives the non-repeatability.



Temperature errors and ranges

The temperature (both of the medium and ambience) generally has a significant influence on the accuracy of a pressure transmitter. Pressure transmitters are temperature compensated over a particular range corresponding to the typical application. This means that temperature errors within this temperature range are minimised by means of circuitry design and algorithms. The temperature error is added to the accuracy, and shown in the total error band of the pressure transmitter, also called *butterfly graph*. Outside the compensated temperature range, the maximum error is not defined, however the pressure transmitter still functions.

To prevent mechanical and electrical damage, pressure transmitters may not be deployed beyond the threshold temperature ranges specified in the data sheet.

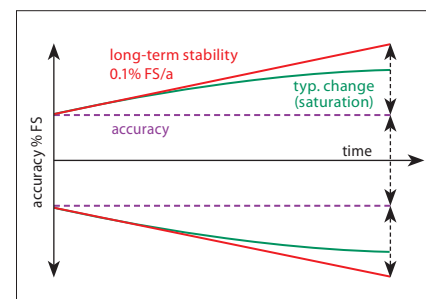


Service life and long-term stability

Service life information pertains to nominal conditions specified in the data sheet, and can vary considerably when a product is operated mechanically or electrically outside the specifications. Service life essentially depends on the used measuring cell technology.

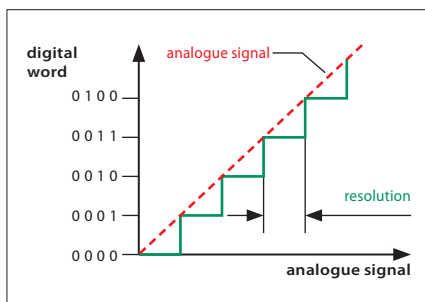
Ageing is accelerated (or slowed) due to different factors - such as temperature, temperature change and reduction of mechanical forces. The occurrence of ageing does effect the total accuracy.

SUCO specifies long-term stability in accordance with DIN 16086 in relation to one year. Typically the influence of aging on the accuracy reduces with increasing operating duration. The information in the data sheet corresponds to the worst case scenario.



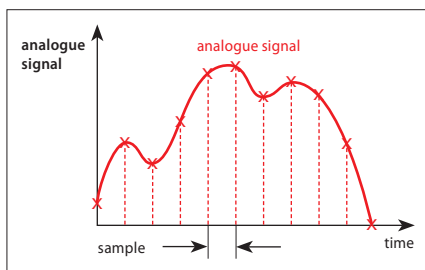
Resolution

The A/D resolution (analogue - digital) of an pressure transmitter defines the smallest change of the analogue – digital – analogue conversion which takes places by the signal processing of an pressure transmitter. If for example 13-bit resolution is used for an pressure transmitter with a 100 bar setting range, the smallest signal change is 8192 steps (2^{13}). As state of the art a resolution of 12 bits and hence 4096 steps (2^{12}) is typical. Therefore pressure changes of 100 bar / 4096 = 0.024 bar can be recorded.



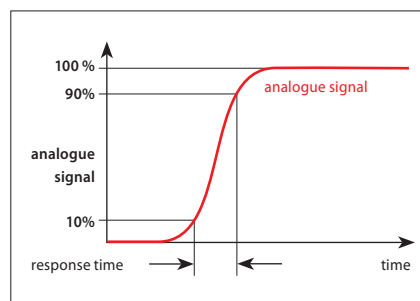
Sampling rate

The sampling rate (or sampling frequency) defines the number of samples per time unit (typically in seconds or milliseconds) taken from an analogue signal and converted to a digital signal. The sampling rate is an indicator of how fast the output signal of a pressure transmitter responds to the pressure change at the input.



Response time

The response or circuit time is shorter than 2 to 4 milliseconds (depending on model). The sum of A/D and D/A conversions, and the analogue and digital filters in the signal chain from the measuring bridge to the output, make up the response time. Filtering is used to suppress unwanted pressure peaks and electrical interference signals, and for good EMC characteristics.



CE mark

Pressure transmitters from SUCO fall under the 2014/30/EU EMC Directive. EC declarations of conformity have been issued for the pressure transmitters are available on request or can be downloaded from our website. The relevant devices are denoted by a CE mark in our catalogue.

The Machinery Directive 2006/42/EC is not applicable, because our products are classed as components.

Our products are designed for Group 2 fluids based upon good engineering practise in line with Pressure Equipment Directive 2014/68/EU, meaning neither a declaration of conformation may be issued nor a CE mark affixed.

Generic standard	Test standard	Parameter(s)
Radio disturbance and immunity	EN 55016-2-1 EN 55016-2-3	60 dBuV
Radiated, high-frequency electromagnetic field immunity test	EN 61000-4-3	10 V/m; 80-2700 MHz, 3 V/m; 1400-2000 MHz, 1 V/m; 2000-2700 MHz
Immunity to conducted disturbances, induced by radio-frequency fields	EN 61000-4-6	10 V; 0.15-80 MHz
Electrical fast transient / burst immunity test	EN 61000-4-4	±2 kV
Surge immunity test	EN 61000-4-5	±0.5 kV (common) ±0.5 kV (differential)
Electrostatic discharge (ESD) immunity test	EN 61000-4-2	air: 8 kV with contact: 4 kV

Electromagnetic compatibility (EMC)

Pressure transmitters from SUCO do comply to all important industrial EMC standards. The basis for the standards are the stricter thresholds for transient emissions in residential environments (EN 61000-6-3) and immunity for industrial environments (EN 61000-6-2).

Technical explanations for pressure transmitters

Conversion chart for pressure units

Abbreviation for unit	Name of unit	Pa= N/m ²	bar	Torr	lbf/in ² . PSI
1 Pa = N/m ²	Pascal	1	0.00001	0.0075	0.00014
1 bar	Bar	100 000	1	750.062	14.5
1 Torr = 1 mm Hg	Millimeters of mercury	133.322	0.00133	1	0.01934
1 lbf/in ² = 1 PSI	Pound-force per square inch	6894	0.06894	51.71	1

Conversion chart for temperature units

	K	°C	F
K	1	K-273.15	9/5 K-459.67
°C	°C + 273.15	1	9/5 °C + 32
F	5/9 (F+459.67)	5/9 (F-32)	1

Insulation strength

According to the latest specifications for immunity to surges and lightning protection, the following must be taken into account when testing insulation strength: With insulation test devices having an inner resistance exceeding 42 Ohm, the insulation strength of pressure transmitters can be tested up to 500 VDC. All contacts must be tested short-circuited against the housing. For a specific threshold value of test voltage, the protective circuit for surge protection is activated without any defects arising within the circuit. In the process, the current may rise to a point at which an insulation strength fault is indicated. The recommendation therefore is to conduct the insulation test of the pressure transmitter when it is removed, or independently of the overall system.

Medium compatibility

The specifications on medium compatibility in this catalogue pertain to the specific seal and housing materials as well as the used measuring cell technology and so cannot be generalised.

Titanium

Its high levels of mechanical resistance and the wide media compatibility – in particular to corrosive media – do make titanium the ideal material for measuring cells and membranes. It is not recommended for oxygen or hydrogen applications.

Stainless steel (1.4305 / AISI 303)

Stainless steel with broad level of media compatibility. Also suitable for oxygen and hydrogen applications.

Stainless steel (1.4404 / AISI 316L)

Stainless steel with broad level of media compatibility. Also suitable for chemical industry and sea water applications.

Oxygen and hydrogen

Country-specific safety requirements and application guidelines must be observed if the medium to be monitored is oxygen or hydrogen, such as DGUV accident prevention regulations (DGUV 500, Section 2.32 and BGI 617).

**Please specify when ordering
"for oxygen, oil and grease-free".**

Pressure peak dampening

If required, our pressure transmitters can also be fitted with a pressure snubber (pressure peak orifice) to protect the measuring cell against transient pressure loads such as pressure peaks due to the switching of valves, cavitation effects, etc. which can shorten life expectancy.

For liquid media, the hole of a pressure snubber cannot be chosen to be any small size. At low temperatures the viscosity of the media will increase. In a case of dropping pressure the media might remain in the cavity behind the snubber which might affect the functionality of the pressure transmitter. Thus a bore diameter of 0.8 mm has been established.

Product information

The technical information in this catalogue is based upon fundamental testing during product development, as well as upon empirical values. The information cannot be used for all application scenarios.

Testing of the suitability of our products for a specific application (e.g. also the checking of material compatibilities) falls under the responsibility of the user. It may be the case that suitability can only be guaranteed with appropriate field testing.

Subject to technical changes.

Selection matrix for pressure transmitters

Type / Serie		0601	0602	0645	0650	0660	0675	0680	0690	0705	0710	0720
Page		147	147	151	151	151	155	155	155	159	159	159
Measuring cell technology	stainless steel, oil-filled, piezo-resistive			■	■	■	■	■	■			
	ceramic / thick-film	■	■									
	SoS/titanium									■	■	■
Function	overpressure	■	■	■	■	■	■	■	■	■	■	■
	vacuum			■	■	■	■	■	■			
Output	0.5 – 4.5 V ratiometric			■			■			■		
	0 – 10 V	■			■			■			■	
	4 – 20 mA		■			■			■			■
Operating voltage	5 V DC ±10 %			■			■			■		
	(9.6 ... 12) – 32 V DC	■	■		■	■		■	■		■	■
Pressure range	-1 – 0 bar			■	■	■	■	■	■			
	0 – 1 bar			■	■	■	■	■	■			
	0 – 2 bar	■	■									
	0 – 4 bar	■	■	■	■	■	■	■	■			
	0 – 6 bar			■	■	■	■	■	■			
	0 – 10 bar	■	■	■	■	■	■	■	■	■	■	■
	0 – 16 bar	■	■	■	■	■	■	■	■	■	■	■
	0 – 25 bar									■	■	■
	0 – 40 bar	■	■	■	■	■	■	■	■	■	■	■
	0 – 60 bar									■	■	■
	0 – 100 bar	■	■	■	■	■	■	■	■	■	■	■
	0 – 160 bar									■	■	■
	0 – 250 bar									■	■	■
	0 – 400 bar									■	■	■
0 – 600 bar									■	■	■	
Overpressure protection	up to 2 x	■	■									
	up to 3 x			■	■	■	■	■	■			
	up to 4 x									■	■	■
Compensated temperature range	-10 ... +70 °C			■	■	■	■	■	■			
	0 ... +70 °C	■	■									
	-40 ... +80 °C									■	■	■
Size	hex 22			■	■	■	■	■	■	■	■	■
	hex 24	■	■									
Housing material	stainless steel 1.4305	■	■	■	■	■				■	■	■
	stainless steel 1.4404						■	■	■			
Option	suitable for oxygen			■	■	■						

Pressure transmitters, Performance series

hex 24



- Very attractively priced electronic pressure transmitters
- High overpressure protection (up to 2 x)
- Small, compact transmitters
- Broad diversity of electronic and mechanical connection options
- High level of adaptability to your requirements (custom solutions)
- Ceramic sensor in thick film technology
- Housing made of stainless steel (1.4305), others on request

Technical details

Type:	0601	0602
Output signal:	0 – 10 V (3-wire)	4 – 20 mA (2-wire)
Supply voltage U_B :	11 – 32 VDC	9.6 – 32 VDC
Permissible load apparent ohmic resistance:	$\geq 4.7 \text{ k}\Omega$	$\leq (U_B - 10 \text{ V}) 20 \text{ mA}$
Idle power consumption:	approx. 5 mA	< 4 mA

Type:	0601 / 0602					
Standard pressure ranges p_{nom} :	0 – 2 bar	0 – 4 bar	0 – 10 bar	0 – 16 bar	0 – 40 bar	0 – 100 bar
Overpressure protection $p_u^{1)}$:	4 bar	10 bar	20 bar	40 bar	100 bar	200 bar
Burst pressure ¹⁾ :	8 bar	20 bar	35 bar	60 bar	140 bar	300 bar
Mechanical life expectancy:	5,000,000 pulsations at rise rates to 1 bar/ms at p_{nom}					
Pressure rise:	$\leq 1 \text{ bar/ms}$					
Accuracy:	$\leq \pm 1 \%$ full scale (FS) at room temperature, $\pm 0.5 \%$ BFSL					
Long term stability:	$\pm 0.3 \%$ FS p. a.					
Repeatability ²⁾ :	$\pm 0.1 \%$ FS					
Temperature error ²⁾ :	$\leq \pm 0.04 \%$ of full scale (FS) / °C					
Compensated temperature range:	0 °C ... +70 °C (32 °F ... 158 °F)					
Temperature range ambient:	-30 °C ... +100 °C (-22 °F ... 212 °F)					
Temperature range media:	with NBR seal: -30 °C ... +100 °C (-22 °F ... +212 °F)					
	with EPDM seal: -30 °C ... +125 °C (-22 °F ... +257 °F)					
	with FKM seal: -20 °C ... +125 °C (-4 °F ... +257 °F)					
Wetted parts material	Housing:	Stainless steel 1.4305 (AISI 303)				
	Measuring cell:	Ceramic				
	Seal material:	NBR, EPDM or FKM				
Insulation resistance:	> 100 M Ω (500 VDC, $R_i > 42 \Omega$)					
Response time 10 – 90 %:	$\leq 2 \text{ ms}$					
Vibration resistance:	20 g; at 4 ... 2000 Hz sine wave; DIN EN 60068-2-6					
Shock resistance:	half sine wave 500 m/s ² ; 11 ms; DIN EN 60068-2-27					
Protection class	IP65: DIN EN 175301-803-A, IP67: M12x1, AMP Superseal 1.5°, cable connector IP67 and IP6K9K: Bayonet ISO 15170-A1-4.1, Deutsch DT04-3P					
Electromagnetic compatibility:	EMC 2014/30/EU, EN 61000-6-2:2005, EN 61000-6-3:2007					
Max. length of connection cable:	30 m					
Protection against reverse polarity, short-circuit and overvoltage:	Built-in					
Cable output thread size:	For DIN EN 175301: Pg9 (outside diameter of cable 6 to 9 mm)					
Weight:	approx. 80 g (DIN EN 175301 approx. 110 g)					

¹⁾ Static pressure, dynamic pressure 30 to 50% lower. Values refer to the hydraulic or pneumatic part of the pressure transmitter.

²⁾ Within the compensated temperature range



hex 24

DIN EN 175301-803-A



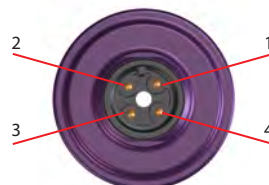
Pin	0601	0602
1	Uv+	Uv+
2	Gnd	I _{out}
3	U _{out}	nc*

IP65

x ~ 60 mm without coupler socket
x ~ 77 mm with coupler socket

Order number: 013

M 12 – DIN EN 61076-2-101 A



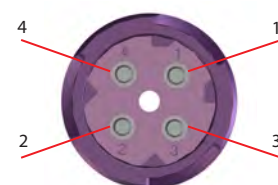
Pin	0601	0602
1	Uv+	Uv+
2	U _{out}	nc*
3	Gnd	I _{out}
4	nc*	nc*

IP67

x ~ 54 mm

Order number: 002

ISO 15170-A1-4.1



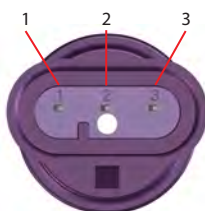
Pin	0601	0602
1	Uv+	Uv+
2	Gnd	nc*
3	U _{out}	I _{out}
4	nc*	nc*

IP67, IP6K9K

x ~ 56 mm

Order number: 004

AMP Superseal 1.5®



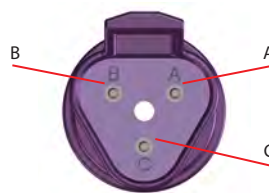
Pin	0601	0602
1	U _{out}	nc*
2	Gnd	I _{out}
3	Uv+	Uv+

IP67

x ~ 61 mm

Order number: 007

Deutsch DT04-3P

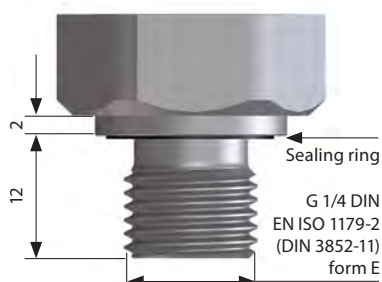


Pin	0601	0602
A	Uv+	Uv+
B	Gnd	nc*
C	U _{out}	I _{out}

IP67, IP6K9K

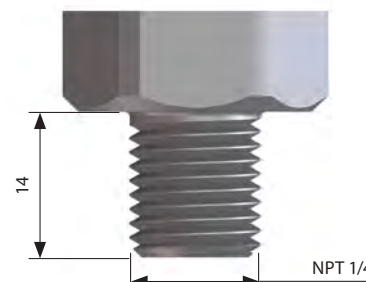
x ~ 61 mm

Order number: 010



G 1/4 DIN
EN ISO 1179-2
(DIN 3852-11)
form E

Thread code: 41



NPT 1/4

Thread code: 09



0601 / 0602

Order matrix for pressure transmitters

T.1

hex 24 Performance



	Type	Pressure range	Pressure connection	Seal material	Electrical connection
--	------	----------------	---------------------	---------------	-----------------------



0 – 10 V, 3-wire	0601
4 – 20 mA, 2-wire	0602

Max. overpressure ¹⁾	Burst pressure	Pressure range	
4 bar	8 bar	0 – 2 bar (approx. 29 PSI)	200
10 bar	20 bar	0 – 4 bar (approx. 58 PSI)	400
20 bar	35 bar	0 – 10 bar (approx. 145 PSI)	101
40 bar	60 bar	0 – 16 bar (approx. 230 PSI)	161
100 bar	140 bar	0 – 40 bar (approx. 580 PSI)	401
200 bar	300 bar	0 – 100 bar (approx. 1,450 PSI)	102



Pressure connection

G 1/4 – (DIN 3852), form E, male thread	41
NPT 1/4	09



Seal material – Application areas

NBR	Hydraulic/machine oil, heating oil, air, nitrogen, etc.	1
EPDM	Brake fluid, water, acetylene, hydrogen, etc.	2
FKM	Hydraulic fluids (HFA, HFB, HFD), petrol/gasoline, etc.	3



Electrical connection

DIN EN 175301-803-A (DIN 43650-A) ; socket device included	013
M 12x1 - DIN EN 61076-2-101-A	002
Bayonet ISO 15170-A1-4.1 (DIN 72585-A1-4.1)	004
AMP Superseal 1.5®	007
Deutsch DT04-3P	010



Order number:	06XX	XXX	XX	X	XXX
----------------------	-------------	------------	-----------	----------	------------



¹⁾ Static pressure, dynamic pressure 30 to 50% lower. Values refer to the hydraulic or pneumatic part of the pressure transmitter.

T.2

hex 22
Stainless steel
1.4305 / AISI 303

Robust pressure transmitters

Stainless steel housing (1.4305 / AISI 303, SW22)



- Pressure transmitters specially for low pressures, including vacuum applications
- High overpressure protection (up to 3 x)
- Long life time even under high pressure change rates
- Housing and wetted parts are made of stainless steel providing excellent media compatibility
- Suitable for hydrogen and oxygen applications
- The highly-sensitive piezo-resistive sensor in the measuring cell filled with oil guarantees high level of accuracy, repeatability and long-term stability
- The availability of different sealing materials enables deployment in a broad temperature range and with a diverse array of media
- Custom variants (e.g. cleaned for oxygen applications) are available on request

Technical details

Type:	0645	0650	0660
Output signal:	0.5 – 4.5 V ratiometric	0 – 10 V (3-wire)	4 – 20 mA (2-wire)
Supply voltage U_B :	5 VDC \pm 10 % max. 6.5 VDC	12 – 32 VDC	10 – 32 VDC
Permissible load apparent ohmic resistance:	$\geq 4,7 \text{ k}\Omega$	$\geq 4,7 \text{ k}\Omega$	$\leq (U_B - 10 \text{ V}) / 20 \text{ mA}$
Idle power consumption:	approx. 5 mA		< 4 mA

Type:	0645 / 0650 / 0660							
Standard pressure ranges p_{nom} :	-1 – 0 bar (vacuum)	0 – 1 bar	0 – 4 bar	0 – 6 bar	0 – 10 bar	0 – 16 bar	0 – 40 bar	0 – 100 bar
Overpressure protection $p_U^{1)}$:	3 bar	3 bar	8 bar	12 bar	20 bar	32 bar	80 bar	200 bar
Burst pressure ¹⁾ :	10 bar	10 bar	20 bar	30 bar	35 bar	40 bar	100 bar	250 bar
Mechanical life expectancy:	10,000,000 pulsations at rise rates to 1 bar/ms at p_{nom}							
Permitted pressure change rate:	$\leq 1 \text{ bar/ms}$							
Accuracy:	$\pm 0.5 \%$ full scale (FS) at room temperature, $\pm 0.25 \%$ BFSL							
Long term stability:	< $\pm 0.2 \%$ of full scale (FS) per year							
Repeatability ²⁾ :	$\pm 0.1 \%$ FS							
Temperature error ²⁾ :	$\pm 0.02 \%$ of full scale (FS) / °C; -1 ... 1 bar $\pm 0.03 \%$ of full scale (FS) / °C							
Compensated temperature range:	-10 °C ... +70 °C (14 °F ... 158 °F)							
Temperature range ambient:	-40 °C ... +100 °C (-40 °F ... 212 °F)							
Temperature range media:	with NBR seal: -40 °C ... +100 °C (-40 °F ... +212 °F) with FKM seal: -20 °C ... +125 °C (-4 °F ... +257 °F)							
Wetted parts material	Housing:	Stainless steel 1.4305 / AISI 303						
	Measuring cell:	Stainless steel 1.4404 / AISI 316L						
	Seal material:	NBR or FKM						
Standard sensor oil:	Fluorine oil (not suitable for food applications)							
Insulation resistance:	> 100 M Ω (500 VDC, $R_i > 42\Omega$)							
Response time 10 – 90%:	< 2 ms							
Vibration resistance:	20 g at 4 – 2000 Hz sine wave; DIN EN 60068-2-6							
Shock resistance:	half sine wave 500 m/s ² ; 11ms; DIN EN 60068-2-27							
Protection class	Refer to the electrical connections							
Electromagnetic compatibility:	EMC 2014/30/EU, EN 61000-6-2:2005, EN 61000-6-3:2007							
Max. length of connection cable:	30 m							
Protection against reverse polarity, short-circuit and overvoltage:	Built-in							
Weight:	approx. 80 g (DIN EN 175301 approx. 110 g, cable output approx. 135 g)							

¹⁾ Static pressure. Dynamic value is 30 to 50% lower. Values refer to the hydraulic/pneumatic part of the pressure transmitter.

²⁾ Within the compensated temperature range.

T.2

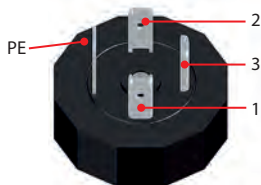
hex 22
Stainless steel
1.4305 / AISI 303



0645 / 0650 / 0660

Electrical connectors and threads

DIN EN 175301-803-A



0645 + 0650	0660
1: Uv+	1: Uv+
2: Gnd	2: I _{out}
3: U _{out}	3: nc
PE	⊕

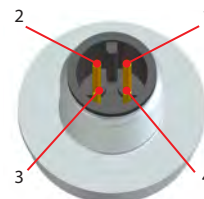
IP65

x ~ 60 mm (without coupler socket)
x ~ 76 mm (with coupler socket)

d ~ Ø 30 mm

Order number: 013

M 12 – DIN EN 61076-2-101 A



0645 + 0650	0660
1: Uv+	1: Uv+
2: U _{out}	2: nc
3: Gnd	3: I _{out}
4: nc	4: nc

IP67

x ~ 54 mm

d ~ Ø 22 mm

Order number: 002

ISO 15170-A1-4.1



0645 + 0650	0660
1: Uv+	1: Uv+
2: Gnd	2: nc
3: U _{out}	3: I _{out}
4: nc	4: nc

IP67

x ~ 65 mm

d ~ Ø 27 mm

Order number: 004

Cable connection



1: red
2: white
3: black

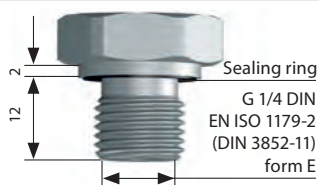
0645 + 0650	0660
1: Uv+	1: Uv+
2: U _{out}	2: nc
3: Gnd	3: I _{out}

IP67

x ~ 44 mm (+ 20 mm Bend relief)
Cable length ~ 2 m

d ~ Ø 22 mm

Order number: 011



Thread code: 41

0645 / 0650 / 0660

Order matrix for pressure transmitters

T.2

hex 22

Stainless steel

1.4305 / AISI 303



	Type	Pressure range	Pressure connection	Seal material	Electrical connection
	↓	↓	↓	↓	↓
0.5 – 4.5 V, ratiometric	0645				
0 – 10 V, 3-wire	0650				
4 – 20 mA, 2-wire	0660				

Pressure range	Max. overpressure ¹⁾	
-1 – 0 bar (vacuum, approx. -29.6 inHg)	3 bar	000
0 – 1 bar (approx. 14.5 PSI)	3 bar	100
0 – 4 bar (approx. 58 PSI)	8 bar	400
0 – 6 bar (approx. 87 PSI)	12 bar	600
0 – 10 bar (approx. 145 PSI)	20 bar	101
0 – 16 bar (approx. 232 PSI)	32 bar	161
0 – 40 bar (approx. 580 PSI)	80 bar	401
0 – 100 bar (approx. 1,450 PSI)	200 bar	102

Pressure connection

G 1/4 – DIN EN ISO 1179-2 (DIN 3852-11), form E	41
---	-----------

Seal material – Application areas

NBR	Hydraulic/machine oil, heating oil, air, nitrogen, water, etc.	-40 °C ... 100 °C (-40 °F ... 212 °F)	1
FKM	Hydraulic fluids (HFA, HFB, HFD), petrol/gasoline, etc.	-20 °C ... 125 °C (-4 °F ... 257 °F)	3

Electrical connection

DIN EN 175301-803-A (DIN 43650-A); socket device included	013
M 12x1 – DIN EN 61076-2-101 A	002
Bayonet ISO 15170-A1-4.1 (DIN 72585-A1-4.1)	004
Cable connection (length of cable 2 m standard)	011

Order number:	06XX	XXX	41	X	XXX
----------------------	-------------	------------	-----------	----------	------------

¹⁾ Static pressure, dynamic pressure 30 to 50% lower. Values refer to the hydraulic or pneumatic part of the pressure transmitter.



T.3

hex 22
Stainless steel

1.4404 / AISI 316L

Robust pressure transmitters

Stainless steel housing 1.4404 / AISI 316L, hex 22



- Pressure transmitters specially for low pressures, including vacuum applications
- Long life time even under high pressure change rates
- Housing and wetted parts are made of stainless steel 1.4404 providing excellent media compatibility when used in seawater, chemical and process technology applications
- The highly-sensitive piezo-resistive sensor in the measuring cell filled with oil guarantees high level of accuracy, repeatability and long-term stability
- The availability of different sealing materials enables deployment in a broad temperature range and with a diverse array of media

Technical details

Type:	0675	0680	0690
Output signal:	0.5 – 4.5 V ratiometric	0 – 10 V (3-wire)	4 – 20 mA (2-wire)
Supply voltage U_B :	5 VDC \pm 10% max. 6.5 VDC	12 – 32 VDC	10 – 32 VDC
Permissible load apparent ohmic resistance:	$\geq 4.7 \text{ k}\Omega$	$\geq 4.7 \text{ k}\Omega$	$\leq (U_b - 10 \text{ V}) / 20 \text{ mA}$
Idle power consumption:	approx. 5 mA		–

Type:	0675 / 0680 / 0690							
Standard pressure ranges p_{nom} :	-1 – 0 bar (vacuum)	0 – 1 bar	0 – 4 bar	0 – 6 bar	0 – 10 bar	0 – 16 bar	0 – 40 bar	0 – 100 bar
Overpressure protection p_u ¹⁾ :	3 bar	3 bar	8 bar	12 bar	20 bar	32 bar	80 bar	200 bar
Burst pressure ¹⁾ :	10 bar	10 bar	20 bar	30 bar	35 bar	40 bar	100 bar	250 bar
Mechanical life expectancy:	10,000,000 pulsations at rise rates to 1 bar/ms at p_{nom}							
Permitted pressure change rate:	$\leq 1 \text{ bar/ms}$							
Accuracy:	$\pm 0.5 \%$ full scale (FS) at room temperature, $\pm 0.25 \%$ BFSL							
Long term stability:	$< \pm 0.2 \%$ of full scale (FS) per year							
Repeatability ²⁾ :	$\pm 0.1 \%$ FS							
Temperature error ²⁾ :	$\pm 0.02 \%$ of full scale (FS) / °C; -1 ... 1 bar $\pm 0.03 \%$ of full scale (FS) / °C							
Compensated temperature range:	-10 °C ... +70 °C (14 °F ... 158 °F)							
Temperature range ambient:	-40 °C ... +100 °C (-40 °F ... 212 °F)							
Temperature range media:	with NBR seal: -40 °C ... +100 °C (-40 °F ... +212 °F)							
	with FKM seal: -20 °C ... +125 °C (-4 °F ... +257 °F)							
Wetted parts material	Housing:	Stainless steel 1.4404 / AISI 316L						
	Measuring cell:	Stainless steel 1.4404 / AISI 316L						
	Seal material:	NBR or FKM						
Standard sensor oil:	Fluorine oil (not suitable for food applications)							
Insulation resistance:	$> 100 \text{ M}\Omega$ (500 VDC, $R_i > 42\Omega$)							
Response time 10 – 90%:	$< 2 \text{ ms}$							
Vibration resistance:	20 g at 4 – 2000 Hz sine wave; DIN EN 60068-2-6							
Shock resistance:	half sine wave 500 m/s ² ; 11ms; DIN EN 60068-2-27							
Protection class	Refer to the electrical connections							
Electromagnetic compatibility:	EMC 2014/30/EU, EN 61000-6-2:2005, EN 61000-6-3:2007							
Max. length of connection cable:	30 m							
Protection against reverse polarity, short-circuit and overvoltage:	Built-in							
Weight:	approx. 80 g (DIN EN 175301 approx. 110 g, cable output approx. 135 g)							

¹⁾ Static pressure. Dynamic value is 30 to 50% lower. Values refer to the hydraulic/pneumatic part of the pressure transmitter.

²⁾ Within the compensated temperature range.

T.3

hex 22
Stainless steel

1.4404 / AISI 316L



0675 / 0680 / 0690

Electrical connectors and threads

DIN EN 175301-803-A

0675 + 0680	0690
1: Uv+	1: Uv+
2: Gnd	2: I _{out}
3: U _{out}	3: nc
PE	

IP65

x ~ 60 mm (without coupler socket)
x ~ 76 mm (with coupler socket)

d ~ Ø 30 mm

Order number: 013

M 12 – DIN EN 61076-2-101 A

0675 + 0680	0690
1: Uv+	1: Uv+
2: U _{out}	2: nc
3: Gnd	3: I _{out}
4: nc	4: nc

IP67

x ~ 54 mm

d ~ Ø 22 mm

Order number: 002

ISO 15170-A1-4.1

0675 + 0680	0690
1: Uv+	1: Uv+
2: Gnd	2: nc
3: U _{out}	3: I _{out}
4: nc	4: nc

IP67

x ~ 65 mm

d ~ Ø 27 mm

Order number: 004

Cable connection

1: red
2: white
3: black

0675 + 0680	0690
1: Uv+	1: Uv+
2: U _{out}	2: nc
3: Gnd	3: I _{out}

IP67

x ~ 44 mm (+ 20 mm bend relief)
Cable length ~ 2 m

d ~ Ø 22 mm

Order number: 011

Sealing ring
G 1/4 DIN
EN ISO 1179-2
(DIN 3852-11)
form E

Thread code: 41

0675 / 0680 / 0690

Order matrix for pressure transmitters

T.3

hex 22
Stainless steel

1.4404 / AISI 316L



	Type	Pressure range	Pressure connection	Seal material	Electrical connection
--	------	----------------	---------------------	---------------	-----------------------



0.5 – 4.5 V, ratiometric	0675
0 – 10 V, 3-wire	0680
4 – 20 mA, 2-wire	0690

Pressure range	Max. overpressure ¹⁾	
-1 – 0 bar (vacuum approx. -29.6 inHg)	3 bar	000
0 – 1 bar (approx. 14.5 PSI)	3 bar	100
0 – 4 bar (approx. 58 PSI)	8 bar	400
0 – 6 bar (approx. 87 PSI)	12 bar	600
0 – 10 bar (approx. 145 PSI)	20 bar	101
0 – 16 bar (approx. 232 PSI)	32 bar	161
0 – 40 bar (approx. 580 PSI)	80 bar	401
0 – 100 bar (approx. 1,450 PSI)	200 bar	102



Pressure connection	
G 1/4 – DIN EN ISO 1179-2 (DIN 3852-11), form E	41



Seal material – Application areas			
NBR	Hydraulic/machine oil, heating oil, air, nitrogen, water, etc.	-40 °C ... 100 °C (-40 °F ... 212 °F)	1
FKM	Hydraulic fluids (HFA, HFB, HFD), petrol/gasoline, etc.	-20 °C ... 125 °C (-4 °F ... 257 °F)	3



Electrical connection	
DIN EN 175301-803-A (DIN 43650-A); socket device included	013
M 12x1 – DIN EN 61076-2-101 A	002
Bayonet ISO 15170-A1-4.1 (DIN 72585-A1-4.1)	004
Cable connection (length of cable 2 m standard)	011



Order number:	06XX	XXX	41	X	XXX
----------------------	-------------	------------	-----------	----------	------------

¹⁾ Static pressure, dynamic pressure 30 to 50% lower. Values refer to the hydraulic or pneumatic part of the pressure transmitter.



Pressure transmitters, High-Performance series

hex 22



- Outstanding overpressure protection (up to 4 x)
- Ideal choice for mobile hydraulic applications
- Long service life even under high pressure change rates
- Wetted parts made of stainless steel and titanium ensuring excellent media compatibility
- All welded design, no elastomeric seal
- Silicon-on-sapphire technology (SoS) for highest reliability, accuracy and reliable process monitoring
- Very low temperature error and very good long-term stability
- Customer specific solutions available on request

Technical details

Type:	0705	0710	0720
Output signal:	0.5 – 4.5 V ratiometric	0 – 10 V (3-wire)	4 – 20 mA (2-wire)
Supply voltage U_b :	5 VDC \pm 10 % max. 6.5 VDC	12 – 32 VDC	10 – 32 VDC
Permissible load apparent ohmic resistance:	$\geq 4.7 \text{ k}\Omega$	$\geq 4.7 \text{ k}\Omega$	$\leq (U_b - 10 \text{ V}) / 20 \text{ mA}$
Idle power consumption:	approx. 5 mA		

Type:	0705 / 0710 / 0720									
Standard pressure ranges p_{nom} in bar:	0–10	0–16	0–25	0–40	0–60	0–100	0–160	0–250	0–400	0–600
Overpressure protection $p_u^{1)}$ in bar:	40	64	100	160	240	400	640	1,000	1,600	1,650
Burst pressure ¹⁾ in bar:	80	128	200	320	480	800	1,280	2,000	2,000	2,000
Mechanical life expectancy:	10,000,000 pulsations at rise rates to 5 bar/ms at p_{nom}									
Permitted pressure change rate:	$\leq 5 \text{ bar/ms}$									
Accuracy:	$\pm 0.5 \%$ full scale (FS) at room temperature, $\pm 0.25 \%$ BFSL									
Long term stability:	$\pm 0.1 \%$ FS p. a.									
Repeatability ²⁾ :	$\pm 0.1 \%$ FS									
Temperature error ²⁾ :	$\pm 0.01 \%$ FS / °C									
Compensated temperature range:	-40 °C ... +80 °C (-40 °F ... 176 °F)									
Temperature range ambient:	-40 °C ... +100 °C (-40 °F ... 212 °F)									
Temperature range media:	-40 °C ... +125 °C (-40 °F ... 257 °F)									
Wetted parts material:	stainless steel 1.4305 / SAE Grade 303, titanium									
Insulation resistance:	$> 100 \text{ M}\Omega$ (500 VDC, $R_i > 42 \Omega$)									
Response time 10 – 90%:	$< 2 \text{ ms}$									
Vibration resistance:	20 g at 4 – 2000 Hz sine wave; DIN EN 60068-2-6									
Shock resistance:	half sine wave 500 m/s ² ; 11ms; DIN EN 60068-2-27									
Protection class	IP67 for M 12x1, DIN 72585 (bayonet) and cable connector IP65 for DIN EN 175301-803									
Electromagnetic compatibility:	EMC 2014/30/EU, EN 61000-6-2, EN 61000-6-3									
Max. length of connection cable:	30 m									
Protection against reverse polarity, short-circuit and overvoltage:	Built-in									
Weight:	approx. 80 g (DIN 175301 approx. 110 g, cable outlet approx. 135 g)									

¹⁾ Static value. Dynamic value is 30 to 50% lower. Values refer to the hydraulic/pneumatic part of the pressure transmitter / transducer.

²⁾ Within the compensated temperature range.

T.4

hex 22
High-Performance

0705 / 0710 / 0720

Electrical connectors and threads



DIN EN 175301-803-A

0705 + 0710	0720
1: U _{out}	1: nc
2: Gnd	2: I _{out}
3: Uv+	3: Uv+
IP65	
x ~ 60 / 76 mm*	
d ~ Ø 30 mm	
Order number: 001	

M 12 – DIN EN 61076-2-101 A

0705 + 0710	0720
1: Uv+	1: Uv+
2: U _{out}	2: nc
3: Gnd	3: I _{out}
4: nc	4: nc
IP67	
x ~ 54 mm	
d ~ Ø 22 mm	
Order number: 002	

ISO 15170-A1-4.1

0705 + 0710	0720
1: Uv+	1: Uv+
2: Gnd	2: nc
3: U _{out}	3: I _{out}
4: nc	4: nc
IP67, IP6K9K	
x ~ 65 mm	
d ~ Ø 27 mm	
Order number: 004	

AMP Superseal

0705 + 0710	0720
1: U _{out}	1: nc
2: Gnd	2: I _{out}
3: Uv+	3: Uv+
IP67	
x ~ 73 mm	
d ~ Ø 26 mm	
Order number: 007	

* without coupler socket x ~ 60 mm, with coupler socket x ~ 76 mm

DEUTSCH DT04-4P

0705 + 0710	0720
1: GND	1: I _{out}
2: Uv+	2: Uv+
3: nc	3: nc
4: U _{out}	4: nc
IP67, IP6K9K	
x ~ 74 mm	
d ~ Ø 23 mm	
Order number: 008	

DEUTSCH DT04-3P

0705 + 0710	0720
A: Uv+	A: Uv+
B: GND	B: nc
C: U _{out}	C: I _{out}
IP67, IP6K9K	
x ~ 74 mm	
d ~ Ø 23 mm	
Order number: 010	

Cable connection

0705 + 0710	0720
1: Uv+	1: Uv+
2: Gnd	2: nc
3: U _{out}	3: I _{out}
IP67	
x ~ 44 mm (+ 20 mm bend relief) Cable length ~ 2 m	
d ~ Ø 22 mm	
Order number: 011	

G 1/4 DIN EN ISO 1179-2 (DIN 3852-11) form E

Thread code: 41

G1/4 DIN 3852-A

Thread code: 03

NPT 1/8

Thread code: 04

NPT 1/4

Thread code: 09

M 10x1 DIN 3852-A

Thread code: 30

7/16-20 UNF

Thread code: 20

9/16-18 UNF

Thread code: 21

M14x1,5 DIN 3852 form E

Thread code: 42

0705 / 0710 / 0720

Order matrix for pressure transmitters

T.4

hex 22
High-Performance



	Type	Pressure range	Pressure connection	Seal material	Electrical connection
	↓	↓	↓	↓	↓
0.5 – 4.5 V, ratiometric	0705				
0 – 10 V, 3-wire	0710				
4 – 20 mA, 2-wire	0720				

Pressure range	Max. overpressure ¹⁾	
0 – 10 bar (approx. 145 PSI)	40 bar	101
0 – 16 bar (approx. 232 PSI)	64 bar	161
0 – 25 bar (approx. 362 PSI)	100 bar	251
0 – 40 bar (approx. 580 PSI)	160 bar	401
0 – 60 bar (approx. 870 PSI)	240 bar	601
0 – 100 bar (approx. 1,450 PSI)	400 bar	102
0 – 160 bar (approx. 2,320 PSI)	640 bar	162
0 – 250 bar (approx. 3,620 PSI)	1000 bar	252
0 – 400 bar (approx. 5,800 PSI)	1600 bar	402
0 – 600 bar (approx. 8,700 PSI)	1650 bar	602

Pressure connection	
G 1/4 – DIN 3852-E	41
G 1/4 – DIN 3852-A	03
NPT 1/8 (max. to 250 bar)	04
NPT 1/4	09
M 10 x 1 tap. DIN 3852-A (max. to 250 bar)	30
7 / 16 – 20 UNF (max. to 250 bar)	20
9 / 16 – 18 UNF	21
M 14 x 1.5 – DIN 3852-E	42

Pressure unit	
bar	B
PSI	P

Electrical connection	
DIN EN 175301-803-A (DIN 43 650-A) ; socket device included	001
M 12 – DIN EN 61071-2-101 D	002
Bayonet ISO 15170-A1-4.1 (DIN 72585-A1-4.1)	004
AMP Superseal 1,5*	007
Deutsch DT04-4P	008
Deutsch DT04-3P	010
Cable connection (length of cable 2 m standard)	011

Order number:	07XX	XXX	XX	X	XXX
----------------------	-------------	------------	-----------	----------	------------

¹⁾ Static pressure, dynamic pressure 30 to 50% lower. Values refer to the hydraulic or pneumatic part of the pressure transmitter.





- High-quality accessories
- Developed for our products
- Aligned to our products
- Direct from the manufacturer

Accessories

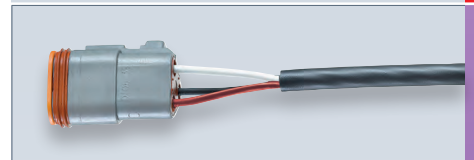
Mating plugs

T.5

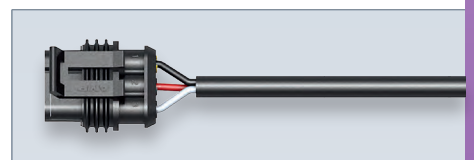
Accessories



<p>Deutsch DT06-3S (for DT04-3P) 3 x 0.5 mm² PUR cable (2 m), IP67</p>	<p>Suitable for connector code 010 Deutsch DT04-3P</p>	<p>Order number: 1-1-36-653-160</p>
--	--	--



<p>TE AMP Superseal 1.5[®], 3-pin 3 x 0.5 mm² Radox cable (2 m), IP65</p>	<p>Suitable for connector code 007 AMP Superseal 1.5[®]</p>	<p>Order number: 1-1-32-653-158</p>
--	--	--



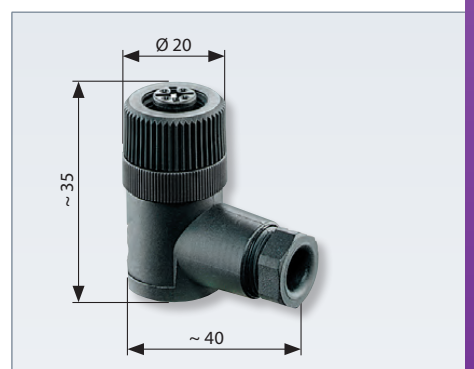
<p>M12 DIN EN 61076-2-LF, 4-pin 4 x 0.34 mm² PUR cable (2 m), IP65</p>	<p>Suitable for connector code 002 M12 DIN EN 61076-2-101 A</p>	<p>Order number: 1-1-00-653-162</p>
--	---	--



<p>M 12x1 DIN EN 61071-2-101 D straight, 4-pin Terminals for wire diameter 0.75 mm² (AWG 18)</p>	<p>Suitable for connector code 002 M12 DIN EN 61076-2-101 A</p>	<p>Order number: 1-6-00-652-016</p>
--	---	--



<p>Coupler socket M 12x1 DIN EN 61071-2-101 D Angled, 4-pin Terminals for wire diameter 0.75 mm² (AWG 18)</p>	<p>Suitable for connector code 002 M12 DIN EN 61076-2-101 A</p>	<p>Order number: 1-6-00-652-017</p>
--	---	--



Thread adapters

For requirements at short notice and for realising custom solutions

- The materials and shapes of thread adapters are aligned perfectly to our electronic pressure switches and transmitters
- Thread adapters are provided together with seals to ensure safe and easy installation of our electronic pressure switches and transmitters



Stainless steel (1.4305 / AISI 303) thread adapters			
G 1/4 DIN EN ISO 1179-1 (DIN 3852-E) female thread			
M10 x 1 shape A DIN 3852-1	M14 x 1.5 shape E DIN 3852-E incl. sealing ring FKM	NPT 1/4-18	9/16-18UNF incl. O-ring FKM
Order number:	Order number:	Order number:	Order number:
1-1-00-420-020	1-1-00-420-028	1-1-00-420-021	1-1-00-420-027

SUCO transmitter display STD

- For pressure transmitters with 4 – 20 mA current output
- Connection to DIN EN 175301-803-A (DIN 43650)
- No additional voltage supply required
- Simple installation and programming
- Switching output option available

Technical details

Display:	LED, red, 4-digits, rotatable (4x90°)
Display range:	-999 to 9999
Input signal:	4 – 20 mA, 2-wire
Standard display:	4.00 – 20.00 (pre-set at factory)
Accuracy:	0.2 % FS ±1 digit
Supply voltage:	17 – 32 V DC
Max. loop current:	60 mA
Sampling rate:	300 ms – 25.5 s (configurable with filter)
Switching output (only for 1-6-20-656-008):	PNP transistor output 90 mA (P-MOSFET) Embedded overcurrent protection
Programming:	2 programming buttons are located underneath the removable front panel
Programming options:	
Zero point setting:	-999 ... 9999
Range:	0 ... 9999
Decimal points:	3 positions or disable
Average filter:	0.3 ... 25.5 s
Overrun:	On / off
Switching point (for 1-6-20-656-008):	-999 ... 9999
Switch function (for 1-6-20-656-008):	NO/NC
Save settings:	In EEPROM
Error messages:	If the overrun function is selected, "HI" is shown on the display when 20 mA is exceeded. "LO" is displayed when the current drops below 4 mA. When the overrun function is disabled, "ErC6" is displayed as soon as the value is no longer in range -999 ... 9999.
Temperature range:	-10 °C ... +60 °C
Housing material:	ABS / acrylic (display window)
Protection class	IP65 when fitted
Electrical connection:	DIN EN 175301-803-A (DIN 43650); suitable for connector assignment with order number -001 (such as the 07xx family)
Attachment screw:	Included in the delivery

Order number:

1-6-20-656-007	Display (STD 0)
1-6-20-656-008	Display with switching output (STD 1)

T.5

Accessories



Contact assignment:

PIN	Display (STD 0):
1	nc
2	I_{out}
3	U_{v+}
\perp	Ground

PIN	Display with switching output (STD 1):
1	PNP
2	I_{out}
3	U_{v+}
\perp	Ground

S. ESI Sensor Technology







ESI Technology Ltd

The worldwide specialist for customized high precision electronic pressure sensors



For full information please ask for our brochure

For decades, ESI Technology with headquarters in Wrexham (UK) has served its customers with consistent product development, special engineered solutions and outstanding technical service and sales support.

In 2009 ESI Technology Ltd was acquired by SUCO. Since then ESI stands for Electronics, Sensors and Instruments. By forming part of a bigger organisation, yet keeping its own independence, ESI has gained the strength to expand its sales efforts and services worldwide.

ESI Technology has become one of the leading suppliers for specialised pressure sensors by offering bespoke solutions for specific applications.

With a dedicated manufacturing and engineering facility in Wrexham, ESI serves an extensive range of major industries such as Oil and Gas, Subsea, Aerospace, Process, Test and Calibration.

Being one of the key suppliers to these industries requires high performance not only of its products. From design and sourcing through to shipment and customer service, ESIs' Management System is approved to

ISO 9001:2008 and ATEX and IECEx approval is available on a wide range of products.

Throughout the product range, ESI uses a variety of state of the art sensor technologies to make each product a perfect fit to the desired application.

Though, the jewel of ESI's sensor technologies is Silicon-on-Sapphire which has redefined the performance capability of pressure monitoring products.

Additional services, such as tailoring of the existing product range to suit application requirements, product conditioning such as ESS (Environmental Stress Screening) and product documentation packaging, make ESI the perfect partner for customers who need a bespoke service.

With a wide sales network, ESI Technology is able to deliver its' special services globally.

If you can't find the suitable solution on the following pages, please do not hesitate to contact the ESI Technology sales team or one of its partners which is always near to you.

We are looking forward to supporting you!



Pressure Sensors Overview

For full information, please ask for our brochure
ESI - Electronic Pressure Sensors

S.1. High-Pressure Transmitter

Pressure Ranges:	0 – 600 bar; 0 – 1,000 bar; 0 – 1,500 bar; 0 – 2,000 bar; 0 – 3,000 bar; 0 – 4,000 bar; (other ranges possible)
Sensor Technology:	Silicon-on-Sapphire (SoS)
Accuracy:	±0.25 % FS typ. max., BFSL
Output Signal:	10 mV/V or 0 – 5 V or 0 – 10 V or 4 – 20 mA
Wetted Parts:	All titanium, machined from a single piece
Process Connection:	Autoclave F250-C female; M16 x 1.5 female
Option:	ATEX/IECEX (available only for 4 – 20mA), includes mining areas (Group I M1)
Types:	HP1000; HP1001; HP1002; HP1003; HP1011; HP1012; HP1100; HP1101; HP1102; HP1103; HP1111; HP1112



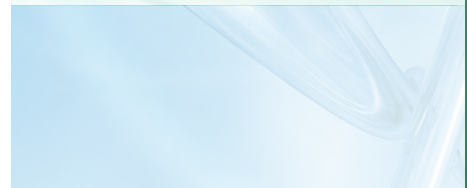
S.2. Low-Pressure Transmitter

Pressure Ranges:	0 – 50 mbar; 0 – 100 mbar; 0 – 250 mbar; 0 – 500 mbar (other ranges possible)
Sensor Technology:	Piezoresistive Silicon Sensor
Accuracy:	±0.5 % FS typ. max., BFSL
Output Signal:	10 mV/V (typ.) or 0 – 5 V or 0 – 10 V or 4 – 20 mA
Wetted Parts:	Stainless steel (316) with O-ring
Process Connection:	¼" BSP (G ¼); ½" BSP; ¼" NPT; ½" NPT; (all male) (others on request)
Types:	LP1000; LP1001; LP1002; LP1003; LP1011; LP1012



S.3. High-Precision Pressure Transducer

Pressure Ranges:	0 – 500 mbar to 0 – 1,500 bar
Sensor Technology:	Silicon-on-Sapphire (SoS)
Accuracy:	±0.1 % FS typ. max., BFSL
Temperature Effects:	±1.0 % FS max. thermal error band over -20 °C ... +70 °C
Output Signal:	10 mV/V (typ.) or 0 – 5 V or 0 – 10 V or
Wetted Parts:	All Titanium
Process Connection:	¼" BSP (G ¼); ¼" NPT; (all male)
Electrical Connection:	MIL-C-26482 6 pin Bayonet or 1 m PTFE cable
Option:	ATEX/IECEX (available only for mV output)
Types:	HI2000; HI2001; HI2002 HI2010; HI2011; HI2012





Pressure Sensors Overview



S.4. High-Temperature Pressure Transmitter

Temperature Ranges:	Media temperature up to 250 °C
Pressure Ranges:	0 – 1 bar up to 0 – 1,500 bar
Output Signal:	mV or 4 – 20 mA
Process Connection:	¼" BSP (G ¼); ¼" NPT; (all male) or ½" BSP flush diaphragm
Electrical Connection:	MIL-C-26482 6 pin Bayonet; 1 m PTFE cable; DIN EN 175301
Option:	ATEX/IECEX
Types:	HI2200; HI2210; HI2300; HI2310; PR3860; PR3861; PR3862



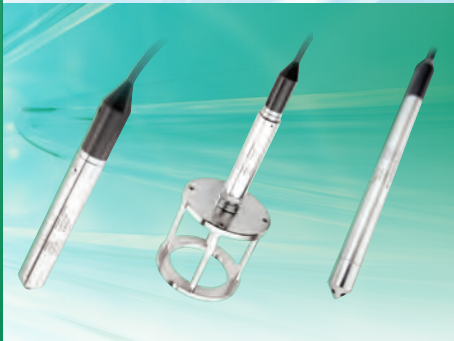
S.5. USB-Transducer

Pressure Ranges:	-1 – 2.5 bar; 0 – 16 bar; 0 – 100 bar; 0 – 400 bar; 0 – 1,500 bar; 0 – 2,000 bar; 0 – 4,000 bar;
Sensor Technology:	Silicon-on-Sapphire (SoS)
Accuracy:	±0.15 % FS typ. max., BFSL
Output Signal:	USB-Interface power supply and data transfer via USB
Wetted Parts:	All titanium
Process Connection:	¼" BSP (G ¼); ¼" NPT; (all male) or Autoclave F-250-C female;
Electrical Connection:	USB Mini B
Types:	GS4200-USB



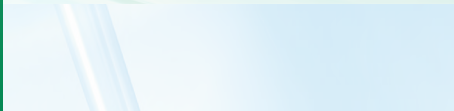
S.6. Submersible Depth / Level Pressure Transmitter

Pressure Ranges:	0 – 1 mWG up to 0 – 500 mWG
Accuracy:	±0.3 % FS typ. max., BFSL
Output Signal:	4 – 20 mA (other options on request)
Electrical Connection:	Vented Cable
Option:	ATEX/IECEX
Types:	PR3420; PR3441; PR3442



S.7. Flush Diaphragm Pressure Transmitter

Pressure Ranges:	0 – 200 mbar up to 0 – 1,000 bar
Sensor Technology:	Thick Film Ceramic Sensor
Accuracy:	±0.3 % FS typ. max., BFSL
Output Signal:	4 – 20 mA (other options on request)
Wetted Parts:	Stainless steel 316
Process Connection:	½" BSP; Pipe-clamp; DIN 11851; (other options on request)
Option:	ATEX/IECEX
Types:	PR3800; PR3801; PR3802; PR3820; PR3821; PR3822; PR3850; PR3851; PR3852; PR3860; PR3861; PR3862



S.8. Special Solutions

- Application Specific Design Solutions
- Customised Housing Design
- Choice of Output Signals and Pressure Ranges
- Specialised Process Connections
- Various Electrical Connectors
- Special Housing Materials



S.9. Oil & Gas and Subsea Solutions

- Dual Redundancy (Pressure Sensors and Electronics)
- Hyperbaric Testing to 3000 m Depth
- Environmental Stress Screening (ESS)
- Bespoke Process Connections
- Extended Service life
- Special Housing Materials
- Comprehensive Documentation Package and Certification



S.10. Differential Pressure Transmitter

- | | |
|----------------------|--------------------------------------|
| Pressure Ranges: | 0 – 5 mbar up to 0 – 200 bar |
| Accuracy: | ±0,3 % FS typ. max., BFSL |
| Output Signal: | 4 – 20 mA (other options on request) |
| Wetted Parts: | Suitable for liquids or gases |
| Option: | ATEX/IECEX |
| Types: | PR3200; PR3202; PR3203; PR3204 |



S.11. Accessories

- Panel Meter
- High Temperature Pressure Adapter
- Adapters for Process Connectors



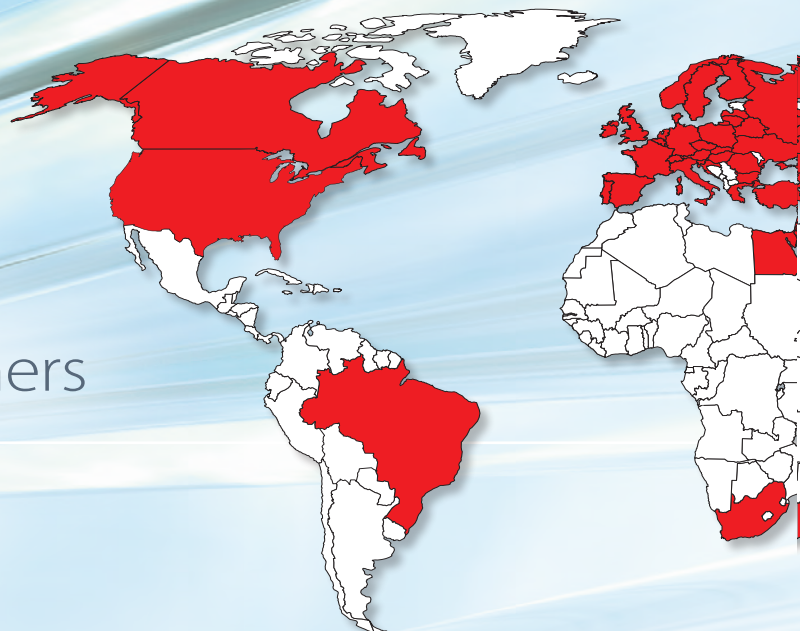
Selection Matrix

Help in selecting a suitable pressure sensor

			Silicon-on-Sapphire	Ceramic Thick Film	Isolated Piezoresistive	Piezoresistive Silicon
High Specification High Temperature Pressure Transmitters	HI2000	Silicon-on-Sapphire Pressure Transmitter, mV output, 1 m cable	■			
	HI2001	Silicon-on-Sapphire Pressure Transmitter, 5 V output, 1 m cable	■			
	HI2002	Silicon-on-Sapphire Pressure Transmitter, 10 V output, 1 m cable	■			
	HI2010	Silicon-on-Sapphire Pressure Transmitter, mV output, MIL-C-26482	■			
	HI2011	Silicon-on-Sapphire Pressure Transmitter, 5 V output, MIL-C-26482	■			
	HI2012	Silicon-on-Sapphire Pressure Transmitter, 10 V output, MIL-C-26482	■			
	HI2200	Silicon-on-Sapphire Pressure Transmitter, mV output, 1 m cable	■			
	HI2210	Silicon-on-Sapphire Pressure Transmitter, mV output, MIL-C-26482	■			
	HI2300	Silicon-on-Sapphire Pressure Transmitter, mV output, 1 m cable	■			
	HI2310	Silicon-on-Sapphire Pressure Transmitter, mV output, MIL-C-26482	■			
Digital USB	GS4200-USB	Silicon-on-Sapphire Pressure Transducer, USB connector	■			
Differential	PR3200	Differential Pressure Transmitter, 4 – 20 mA (2 wire)	■			
	PR3202	Air Differential Pressure Transmitter, 4 – 20 mA (2 wire), 0 – 5 up to 0 – 1,000 mbar DP				■
	PR3203	Air Differential Pressure Transmitter, 5 V (3 wire), 0 – 5 up to 0 – 1,000 mbar DP				■
	PR3204	Air Differential Pressure Transmitter, 10 V (3 wire), 0 – 5 up to 0 – 1,000 mbar DP				■
Submersible	PR3420	Submersible Pressure Transmitter, sludge platform, 4 – 20 mA (2 wire)			■	
	PR3441	Depth/Level Pressure Transmitter, 25 mm diameter, 4 – 20 mA (2 wire)			■	
	PR3442	Depth/Level Pressure Transmitter, 16.5 mm diameter, 4 – 20 mA (2 wire)			■	
Hygienic/ Barrier Seal	PR3800	Pressure Transmitter, pipe-clamp barrier seal, 4 – 20 mA (2 wire)		■		
	PR3801	Pressure Transmitter, pipe-clamp barrier seal, 0 – 5 V (4 wire)		■		
	PR3802	Pressure Transmitter, pipe-clamp barrier seal, 0 – 10 V (4 wire)		■		
	PR3820	Pressure Transmitter, choice of barrier seal fittings, 4 – 20 mA (2 wire)		■		
	PR3821	Pressure Transmitter, choice of barrier seal fittings, 0 – 5 V (4 wire)		■		
	PR3822	Pressure Transmitter, choice of barrier seal fittings, 0 – 10 V (4 wire)		■		
	PR3850	Pressure Transmitter, flush diaphragm, 4 – 20 mA (2 wire)		■		
	PR3851	Pressure Transmitter, flush diaphragm, 0 – 5 V (4 wire)		■		
	PR3852	Pressure Transmitter, flush diaphragm, 0 – 10 V (4 wire)		■		
	PR3860	High Temperature Pressure Transmitter, flush diaphragm, 4 – 20 mA (2 wire)		■		
	PR3861	High Temperature Pressure Transmitter, flush diaphragm, 0 – 5 V (4 wire)		■		
	PR3860	High Temperature Pressure Transmitter, flush diaphragm, 0 – 10 V (4 wire)		■		
	Oil & Gas, Subsea	PR3913	Control Valve Pressure Transmitter, 4 – 20 mA output	■		
PR3914		Subsea Pressure Transmitter, 4 – 20 mA output	■			
PR3915		Dual Redundant Control Valve Pressure Transmitter, 4 – 20 mA output	■			
PR3920		DP Control Valve Pressure Transmitter, 4 – 20 mA output	■			
High Pressure	HP1000	High Pressure Transducer, mV output, pressures to 2,000 bar	■			
	HP1001	High Pressure Transducer, 5 V (4 wire), pressures to 2,000 bar	■			
	HP1011	High Pressure Transducer, 5 V (3 wire), pressures to 2,000 bar	■			
	HP1002	High Pressure Transducer, 10 V (4 wire), pressures to 2,000 bar	■			
	HP1012	High Pressure Transducer, 10 V (3 wire), pressures to 2,000 bar	■			
	HP1003	High Pressure Transmitter, 4 – 20 mA output, pressures to 2,000 bar	■			
	HP1100	High Pressure Transducer, mV output, pressures to 4,000 bar	■			
	HP1101	High Pressure Transducer, 5 V (4 wire), pressures to 4,000 bar	■			
	HP1111	High Pressure Transducer, 5 V (3 wire), pressures to 4,000 bar	■			
	HP1102	High Pressure Transducer, 10 V (4 wire), pressures to 4,000 bar	■			
	HP1112	High Pressure Transducer, 10 V (3 wire), pressures to 4,000 bar	■			
	HP1103	High Pressure Transmitter, 4 – 20 mA output, pressures to 4,000 bar	■			
	Low Pressure	LP1000	Air, Low Pressure Transducer, mV output			■
LP1001		Air, Low Pressure Transducer, 5 V (4 wire)			■	
LP1011		Air, Low Pressure Transducer, 5 V (3 wire)			■	
LP1002		Air, Low Pressure Transducer, 10 V (4 wire)			■	
LP1012		Air, Low Pressure Transducer, 10 V (3 wire)			■	
LP1003		Air, Low Pressure Transmitter, 4 – 20 mA output			■	

	Differential	ATEX/ IECEx / M1 Option	High Accuracy	Highest Pressure	High Specification	High Temperature (>125°C)	Lowest Pressure	Wireless		Aerospace	Automotive	Clean Room	Defence	Depth & Level	Hydraulic	Hygienic	Oil & Gas	Process	Subsea	Test & Calibration
		<input type="checkbox"/>	<input checked="" type="checkbox"/>		<input checked="" type="checkbox"/>					<input checked="" type="checkbox"/>			<input checked="" type="checkbox"/>				<input checked="" type="checkbox"/>			<input checked="" type="checkbox"/>
		<input type="checkbox"/>	<input checked="" type="checkbox"/>		<input checked="" type="checkbox"/>					<input checked="" type="checkbox"/>			<input checked="" type="checkbox"/>				<input checked="" type="checkbox"/>			<input checked="" type="checkbox"/>
		<input type="checkbox"/>	<input checked="" type="checkbox"/>		<input checked="" type="checkbox"/>					<input checked="" type="checkbox"/>			<input checked="" type="checkbox"/>				<input checked="" type="checkbox"/>			<input checked="" type="checkbox"/>
			<input checked="" type="checkbox"/>		<input checked="" type="checkbox"/>					<input checked="" type="checkbox"/>			<input checked="" type="checkbox"/>				<input checked="" type="checkbox"/>			<input checked="" type="checkbox"/>
			<input checked="" type="checkbox"/>		<input checked="" type="checkbox"/>					<input checked="" type="checkbox"/>			<input checked="" type="checkbox"/>				<input checked="" type="checkbox"/>			<input checked="" type="checkbox"/>
			<input checked="" type="checkbox"/>		<input checked="" type="checkbox"/>					<input checked="" type="checkbox"/>			<input checked="" type="checkbox"/>				<input checked="" type="checkbox"/>			<input checked="" type="checkbox"/>
			<input checked="" type="checkbox"/>		<input checked="" type="checkbox"/>					<input checked="" type="checkbox"/>			<input checked="" type="checkbox"/>				<input checked="" type="checkbox"/>			<input checked="" type="checkbox"/>
			<input checked="" type="checkbox"/>		<input checked="" type="checkbox"/>					<input checked="" type="checkbox"/>			<input checked="" type="checkbox"/>				<input checked="" type="checkbox"/>			<input checked="" type="checkbox"/>
			<input checked="" type="checkbox"/>		<input checked="" type="checkbox"/>					<input checked="" type="checkbox"/>			<input checked="" type="checkbox"/>				<input checked="" type="checkbox"/>			<input checked="" type="checkbox"/>
			<input checked="" type="checkbox"/>		<input checked="" type="checkbox"/>					<input checked="" type="checkbox"/>			<input checked="" type="checkbox"/>				<input checked="" type="checkbox"/>			<input checked="" type="checkbox"/>
			<input checked="" type="checkbox"/>		<input checked="" type="checkbox"/>					<input checked="" type="checkbox"/>			<input checked="" type="checkbox"/>				<input checked="" type="checkbox"/>			<input checked="" type="checkbox"/>
			<input checked="" type="checkbox"/>		<input checked="" type="checkbox"/>					<input checked="" type="checkbox"/>			<input checked="" type="checkbox"/>				<input checked="" type="checkbox"/>			<input checked="" type="checkbox"/>
			<input checked="" type="checkbox"/>		<input checked="" type="checkbox"/>					<input checked="" type="checkbox"/>			<input checked="" type="checkbox"/>				<input checked="" type="checkbox"/>			<input checked="" type="checkbox"/>
			<input checked="" type="checkbox"/>		<input checked="" type="checkbox"/>					<input checked="" type="checkbox"/>			<input checked="" type="checkbox"/>				<input checked="" type="checkbox"/>			<input checked="" type="checkbox"/>
			<input checked="" type="checkbox"/>		<input checked="" type="checkbox"/>					<input checked="" type="checkbox"/>			<input checked="" type="checkbox"/>				<input checked="" type="checkbox"/>			<input checked="" type="checkbox"/>
			<input checked="" type="checkbox"/>		<input checked="" type="checkbox"/>					<input checked="" type="checkbox"/>			<input checked="" type="checkbox"/>				<input checked="" type="checkbox"/>			<input checked="" type="checkbox"/>
			<input checked="" type="checkbox"/>		<input checked="" type="checkbox"/>					<input checked="" type="checkbox"/>			<input checked="" type="checkbox"/>				<input checked="" type="checkbox"/>			<input checked="" type="checkbox"/>
			<input checked="" type="checkbox"/>		<input checked="" type="checkbox"/>					<input checked="" type="checkbox"/>			<input checked="" type="checkbox"/>				<input checked="" type="checkbox"/>			<input checked="" type="checkbox"/>
			<input checked="" type="checkbox"/>		<input checked="" type="checkbox"/>					<input checked="" type="checkbox"/>			<input checked="" type="checkbox"/>				<input checked="" type="checkbox"/>			<input checked="" type="checkbox"/>
			<input checked="" type="checkbox"/>		<input checked="" type="checkbox"/>					<input checked="" type="checkbox"/>			<input checked="" type="checkbox"/>				<input checked="" type="checkbox"/>			<input checked="" type="checkbox"/>
			<input checked="" type="checkbox"/>		<input checked="" type="checkbox"/>					<input checked="" type="checkbox"/>			<input checked="" type="checkbox"/>				<input checked="" type="checkbox"/>			<input checked="" type="checkbox"/>
			<input checked="" type="checkbox"/>		<input checked="" type="checkbox"/>					<input checked="" type="checkbox"/>			<input checked="" type="checkbox"/>				<input checked="" type="checkbox"/>			<input checked="" type="checkbox"/>
			<input checked="" type="checkbox"/>		<input checked="" type="checkbox"/>					<input checked="" type="checkbox"/>			<input checked="" type="checkbox"/>				<input checked="" type="checkbox"/>			<input checked="" type="checkbox"/>
			<input checked="" type="checkbox"/>		<input checked="" type="checkbox"/>					<input checked="" type="checkbox"/>			<input checked="" type="checkbox"/>				<input checked="" type="checkbox"/>			<input checked="" type="checkbox"/>
			<input checked="" type="checkbox"/>		<input checked="" type="checkbox"/>					<input checked="" type="checkbox"/>			<input checked="" type="checkbox"/>				<input checked="" type="checkbox"/>			<input checked="" type="checkbox"/>
			<input checked="" type="checkbox"/>		<input checked="" type="checkbox"/>					<input checked="" type="checkbox"/>			<input checked="" type="checkbox"/>				<input checked="" type="checkbox"/>			<input checked="" type="checkbox"/>
			<input checked="" type="checkbox"/>		<input checked="" type="checkbox"/>					<input checked="" type="checkbox"/>			<input checked="" type="checkbox"/>				<input checked="" type="checkbox"/>			<input checked="" type="checkbox"/>
			<input checked="" type="checkbox"/>		<input checked="" type="checkbox"/>					<input checked="" type="checkbox"/>			<input checked="" type="checkbox"/>				<input checked="" type="checkbox"/>			<input checked="" type="checkbox"/>
			<input checked="" type="checkbox"/>		<input checked="" type="checkbox"/>					<input checked="" type="checkbox"/>			<input checked="" type="checkbox"/>				<input checked="" type="checkbox"/>			<input checked="" type="checkbox"/>
			<input checked="" type="checkbox"/>		<input checked="" type="checkbox"/>					<input checked="" type="checkbox"/>			<input checked="" type="checkbox"/>				<input checked="" type="checkbox"/>			<input checked="" type="checkbox"/>
			<input checked="" type="checkbox"/>		<input checked="" type="checkbox"/>					<input checked="" type="checkbox"/>			<input checked="" type="checkbox"/>				<input checked="" type="checkbox"/>			<input checked="" type="checkbox"/>
			<input checked="" type="checkbox"/>		<input checked="" type="checkbox"/>					<input checked="" type="checkbox"/>			<input checked="" type="checkbox"/>				<input checked="" type="checkbox"/>			<input checked="" type="checkbox"/>
			<input checked="" type="checkbox"/>		<input checked="" type="checkbox"/>					<input checked="" type="checkbox"/>			<input checked="" type="checkbox"/>				<input checked="" type="checkbox"/>			<input checked="" type="checkbox"/>
			<input checked="" type="checkbox"/>		<input checked="" type="checkbox"/>					<input checked="" type="checkbox"/>			<input checked="" type="checkbox"/>				<input checked="" type="checkbox"/>			<input checked="" type="checkbox"/>
			<input checked="" type="checkbox"/>		<input checked="" type="checkbox"/>					<input checked="" type="checkbox"/>			<input checked="" type="checkbox"/>				<input checked="" type="checkbox"/>			<input checked="" type="checkbox"/>
			<input checked="" type="checkbox"/>		<input checked="" type="checkbox"/>					<input checked="" type="checkbox"/>			<input checked="" type="checkbox"/>				<input checked="" type="checkbox"/>			<input checked="" type="checkbox"/>
			<input checked="" type="checkbox"/>		<input checked="" type="checkbox"/>					<input checked="" type="checkbox"/>			<input checked="" type="checkbox"/>				<input checked="" type="checkbox"/>			<input checked="" type="checkbox"/>
			<input checked="" type="checkbox"/>		<input checked="" type="checkbox"/>					<input checked="" type="checkbox"/>			<input checked="" type="checkbox"/>				<input checked="" type="checkbox"/>			<input checked="" type="checkbox"/>
			<input checked="" type="checkbox"/>		<input checked="" type="checkbox"/>					<input checked="" type="checkbox"/>			<input checked="" type="checkbox"/>				<input checked="" type="checkbox"/>			<input checked="" type="checkbox"/>
			<input checked="" type="checkbox"/>		<input checked="" type="checkbox"/>					<input checked="" type="checkbox"/>			<input checked="" type="checkbox"/>				<input checked="" type="checkbox"/>			<input checked="" type="checkbox"/>
			<input checked="" type="checkbox"/>		<input checked="" type="checkbox"/>					<input checked="" type="checkbox"/>			<input checked="" type="checkbox"/>				<input checked="" type="checkbox"/>			<input checked="" type="checkbox"/>
			<input checked="" type="checkbox"/>		<input checked="" type="checkbox"/>					<input checked="" type="checkbox"/>			<input checked="" type="checkbox"/>				<input checked="" type="checkbox"/>			<input checked="" type="checkbox"/>
			<input checked="" type="checkbox"/>		<input checked="" type="checkbox"/>					<input checked="" type="checkbox"/>			<input checked="" type="checkbox"/>				<input checked="" type="checkbox"/>			<input checked="" type="checkbox"/>
			<input checked="" type="checkbox"/>		<input checked="" type="checkbox"/>					<input checked="" type="checkbox"/>			<input checked="" type="checkbox"/>				<input checked="" type="checkbox"/>			<input checked="" type="checkbox"/>
			<input checked="" type="checkbox"/>		<input checked="" type="checkbox"/>					<input checked="" type="checkbox"/>			<input checked="" type="checkbox"/>				<input checked="" type="checkbox"/>			<input checked="" type="checkbox"/>
			<input checked="" type="checkbox"/>		<input checked="" type="checkbox"/>					<input checked="" type="checkbox"/>			<input checked="" type="checkbox"/>				<input checked="" type="checkbox"/>			<input checked="" type="checkbox"/>
			<input checked="" type="checkbox"/>		<input checked="" type="checkbox"/>					<input checked="" type="checkbox"/>			<input checked="" type="checkbox"/>				<input checked="" type="checkbox"/>			<input checked="" type="checkbox"/>
			<input checked="" type="checkbox"/>		<input checked="" type="checkbox"/>					<input checked="" type="checkbox"/>			<input checked="" type="checkbox"/>				<input checked="" type="checkbox"/>			<input checked="" type="checkbox"/>
			<input checked="" type="checkbox"/>		<input checked="" type="checkbox"/>					<input checked="" type="checkbox"/>			<input checked="" type="checkbox"/>				<input checked="" type="checkbox"/>			<input checked="" type="checkbox"/>
			<input checked="" type="checkbox"/>		<input checked="" type="checkbox"/>					<input checked="" type="checkbox"/>			<input checked="" type="checkbox"/>				<input checked="" type="checkbox"/>			<input checked="" type="checkbox"/>
			<input checked="" type="checkbox"/>		<input checked="" type="checkbox"/>					<input checked="" type="checkbox"/>			<input checked="" type="checkbox"/>				<input checked="" type="checkbox"/>			<input checked="" type="checkbox"/>
			<input checked="" type="checkbox"/>		<input checked="" type="checkbox"/>					<input checked="" type="checkbox"/>			<input checked="" type="checkbox"/>				<input checked="" type="checkbox"/>			<input checked="" type="checkbox"/>
			<input checked="" type="checkbox"/>		<input checked="" type="checkbox"/>					<input checked="" type="checkbox"/>			<input checked="" type="checkbox"/>				<input checked="" type="checkbox"/>			<input checked="" type="checkbox"/>
			<input checked="" type="checkbox"/>		<input checked="" type="checkbox"/>					<input checked="" type="checkbox"/>			<input checked="" type="checkbox"/>				<input checked="" type="checkbox"/>			<input checked="" type="checkbox"/>
			<input checked="" type="checkbox"/>		<input checked="" type="checkbox"/>					<input checked="" type="checkbox"/>			<input checked="" type="checkbox"/>				<input checked="" type="checkbox"/>			<input checked="" type="checkbox"/>
			<input checked="" type="checkbox"/>		<input checked="" type="checkbox"/>					<input checked="" type="checkbox"/>			<input checked="" type="checkbox"/>				<input checked="" type="checkbox"/>			<input checked="" type="checkbox"/>
			<input checked="" type="checkbox"/>		<input checked="" type="checkbox"/>					<input checked="" type="checkbox"/>			<input checked="" type="checkbox"/>				<input checked="" type="checkbox"/>			<input checked="" type="checkbox"/>
			<input checked="" type="checkbox"/>		<input checked="" type="checkbox"/>					<input checked="" type="checkbox"/>			<input checked="" type="checkbox"/>				<input checked="" type="checkbox"/>			<input checked="" type="checkbox"/>
			<input checked="" type="checkbox"/>		<input checked="" type="checkbox"/>					<input checked="" type="checkbox"/>			<input checked="" type="checkbox"/>				<input checked="" type="checkbox"/>			<input checked="" type="checkbox"/>
			<input checked="" type="checkbox"/>		<input checked="" type="checkbox"/>					<input checked="" type="checkbox"/>			<input checked="" type="checkbox"/>				<input checked="" type="checkbox"/>			<input checked="" type="checkbox"/>
			<input checked="" type="checkbox"/>		<input checked="" type="checkbox"/>					<input checked="" type="checkbox"/>			<input checked="" type="checkbox"/>				<input checked="" type="checkbox"/>			<input checked="" type="checkbox"/>
			<input checked="" type="checkbox"/>		<input checked="" type="checkbox"/>					<input checked="" type="checkbox"/>			<input checked="" type="checkbox"/>				<input checked="" type="checkbox"/>			<input checked="" type="checkbox"/>
			<input checked="" type="checkbox"/>		<input checked="" type="checkbox"/>					<input checked="" type="checkbox"/>			<input checked="" type="checkbox"/>				<input checked="" type="checkbox"/>			<input checked="" type="checkbox"/>
			<input checked="" type="checkbox"/>		<input checked="" type="checkbox"/>					<input checked="" type="checkbox"/>			<input checked="" type="checkbox"/>				<input checked="" type="checkbox"/>			<input checked="" type="checkbox"/>
			<input checked="" type="checkbox"/>		<input checked="" type="checkbox"/>					<input checked="" type="checkbox"/>			<input checked="" type="checkbox"/>				<input checked="" type="checkbox"/>			<input checked="" type="checkbox"/>
			<input checked="" type="checkbox"/>		<input checked="" type="checkbox"/>					<input checked="" type="checkbox"/>			<input checked="" type="checkbox"/>				<input checked="" type="checkbox"/>			<input checked="" type="checkbox"/>
			<input checked="" type="checkbox"/>		<input checked="" type="checkbox"/>					<input checked="" type="checkbox"/>			<input checked="" type="checkbox"/>				<input checked="" type="checkbox"/>			<input checked="" type="checkbox"/>
			<input checked="" type="checkbox"/>		<input checked="" type="checkbox"/>					<input checked="" type="checkbox"/>			<input checked="" type="checkbox"/>				<input checked="" type="checkbox"/>			<input checked="" type="checkbox"/>
			<input checked="" type="checkbox"/>		<input checked="" type="checkbox"/>					<input checked="" type="checkbox"/>			<input checked="" type="checkbox"/>				<input checked="" type="checkbox"/>			<input checked="" type="checkbox"/>
			<input checked="" type="checkbox"/>		<input checked="" type="checkbox"/>					<input checked="" type="checkbox"/>			<input checked="" type="checkbox"/>				<input checked="" type="checkbox"/>			<input checked="" type="checkbox"/>
			<input checked="" type="checkbox"/>		<input checked="" type="checkbox"/>					<input checked="" type="checkbox"/>			<input checked="" type="checkbox"/>				<input checked="" type="checkbox"/>			<input checked="" type="checkbox"/>
			<input checked="" type="checkbox"/>		<input checked="" type="checkbox"/>					<input checked="" type="checkbox"/>			<input checked="" type="checkbox"/>				<input checked="" type="checkbox"/>			<input checked="" type="checkbox"/>
			<input checked="" type="checkbox"/>		<input checked="" type="checkbox"/>					<input checked="" type="checkbox"/>			<input checked="" type="checkbox"/>				<input checked="" type="checkbox"/>			<input checked="" type="checkbox"/>
			<input checked="" type="checkbox"/>		<input checked="" type="checkbox"/>					<input checked="" type="checkbox"/>			<input checked="" type="checkbox"/>				<input checked="" type="checkbox"/>			<input checked="" type="checkbox"/>
			<input checked="" type="checkbox"/>		<input checked="" type="checkbox"/>					<input checked="" type="checkbox"/>			<input checked="" type="checkbox"/>				<input checked="" type="checkbox"/>			<input checked="" type="checkbox"/>
			<input checked="" type="checkbox"/>		<input checked="" type="checkbox"/>					<input checked="" type="checkbox"/>			<input checked="" type="checkbox"/>				<input checked="" type="checkbox"/>			<input checked="" type="checkbox"/>
			<input checked="" type="checkbox"/>		<input checked="" type="checkbox"/>					<input checked="" type="checkbox"/>			<input checked="" type="checkbox"/>				<input checked="" type="checkbox"/>			<input checked="" type="checkbox"/>
			<input checked="" type="checkbox"/>		<input checked="" type="checkbox"/>					<input checked="" type="checkbox"/>			<input checked="" type="checkbox"/>				<input checked="" type="checkbox"/>			<input checked="" type="checkbox"/>
			<input checked="" type="checkbox"/>		<input checked="" type="checkbox"/>					<input checked="" type="checkbox"/>			<input checked="" type="checkbox"/>				<input checked="" type="checkbox"/>			<input checked="" type="checkbox"/>
			<input checked="" type="checkbox"/>		<input checked="" type="checkbox"/>					<input checked="" type="checkbox"/>			<input checked="" type="checkbox"/>				<input checked="" type="checkbox"/>			<input checked="" type="checkbox"/>
			<input checked="" type="checkbox"/>		<input checked="" type="checkbox"/>					<input checked="" type="checkbox"/>			<input checked="" type="checkbox"/>				<input checked="" type="checkbox"/>			<input checked="" type="checkbox"/>
			<input checked="" type="checkbox"/>		<input checked="" type="checkbox"/>					<input checked="" type="checkbox"/>			<input checked="" type="checkbox"/>				<input checked="" type="checkbox"/>			<input checked="" type="checkbox"/>
			<input checked="" type="checkbox"/>		<input checked="" type="checkbox"/>					<input checked="" type="checkbox"/>			<input checked="" type="checkbox"/>				<input checked="" type="checkbox"/>			<input checked="" type="checkbox"/>
			<input checked="" type="checkbox"/>		<input checked="" type="checkbox"/>					<input checked="" type="checkbox"/>			<input checked="" type="checkbox"/>				<input checked="" type="checkbox"/>			<input checked="" type="checkbox"/>
			<input checked="" type="checkbox"/>		<input checked="" type="checkbox"/>					<input checked="" type="checkbox"/>			<input checked="" type="checkbox"/>				<input checked="" type="checkbox"/>			<input checked="" type="checkbox"/>
			<input checked="" type="checkbox"/>		<input checked="" type="checkbox"/>					<input checked="" type="checkbox"/>			<input checked="" type="checkbox"/>				<input checked="" type="checkbox"/>			<input checked="" type="checkbox"/>
			<input checked="" type="checkbox"/>		<input checked="" type="checkbox"/>					<input checked="" type="checkbox"/>			<input checked="" type="checkbox"/>				<input checked="" type="checkbox"/>			<input checked="" type="checkbox"/>
			<input checked="" type="checkbox"/>		<input checked="" type="checkbox"/>					<input checked="" type="checkbox"/>			<input checked="" type="checkbox"/>				<input checked="" type="checkbox"/>			<input checked="" type="checkbox"/>
			<input checked="" type="checkbox"/>		<input checked="" type="checkbox"/>					<input checked="" type="checkbox"/>			<input checked="" type="checkbox"/>				<input checked="" type="checkbox"/>			<input checked="" type="checkbox"/>
			<input checked="" type="checkbox"/>		<input checked="" type="checkbox"/>					<input checked="" type="checkbox"/>			<input checked="" type="checkbox"/>				<input checked="" type="checkbox"/>			<input checked="" type="checkbox"/>
			<input checked="" type="checkbox"/>		<input checked="" type="checkbox"/>					<input checked="" type="checkbox"/>			<input checked="" type="checkbox"/>				<input checked="" type="checkbox"/>			<input checked="" type="checkbox"/>
			<input checked="" type="checkbox"/>		<input checked="" type="checkbox"/>					<input checked="" type="checkbox"/>			<input checked="" type="checkbox"/>				<input checked="" type="checkbox"/>			<input checked="" type="checkbox"/>
			<input checked="" type="checkbox"/>		<input checked="" type="checkbox"/>					<input checked="" type="checkbox"/>										

SUCO worldwide: International sales partners


HEAD OFFICE

SUCO Robert Scheuffele GmbH & Co. KG
Keplerstr. 12 – 14
74321 Bietigheim-Bissingen
Germany

Phone: +49-7142-597-0
Fax: +49-7142-980151
www.suco.de
info@suco.de

AUSTRALIA

ANZ Controls Pty. Ltd.
Phone: +61-7-55358700
Fax: +61-7-55358744
www.anzcontrols.com.au
sales@anzcontrols.com.au

AUSTRIA

BIBUS Austria GmbH
Phone: +43-2242-33388
Fax: +43-2242-3338810
www.bibus.at
info@bibus.at

BELARUS

UAB Lintera
Phone: +375-17-3870240
Fax: +375-17-3870250
www.lintera.info
minsk@lintera.info

BELGIUM
LUXEMBOURG

Bintz Technics NV
Phone: +32-2-7204916
Fax: +32-2-7203750
www.bintz.be
info@bintz.be

BRAZIL

Pressure Comercial Ltda.
Phone: +55-11-46882113
Fax: +55-11-42084028
www.pws.com.br
pressure@pws.com.br

BULGARIA

BIBUS Bulgaria OOD
Phone: +359-2 971 98 08
Fax: +359-2 927 32 64
www.bibus.bg
info@bibus.bg

CHINA

Mintai Hydraulics Shanghai Co., Ltd.
Phone: +86-21-68393909
Fax: +86-21-68393955
www.mintaigroup.com
sales@mintaigroup.com

CROATIA

BIBUS Zagreb d.o.o.
Phone: +385-1-3818004
Fax: +385-1-3818005
www.bibus.hr
bibus@bibus.hr

CZECH REPUBLIC

BIBUS s.r.o.
Phone: +420-547 125 300
Fax: +420-547 125 310
www.tlakovespinace.cz
bibus@bibus.cz

DENMARK

OEM Automatic Klitsø A/S
Phone: +45-70106400
Fax: +45-70106410
www.oemklitso.dk
info@oemklitso.dk

EGYPT
JORDAN
LEBANON
SAUDI ARABIA

EHE EGYPTIAN HYDRAULIC ENGINEERING
Phone: +202-24501890
Fax: +202-24501892
www.ehehydraulic.com
s.zeyada@ehehydraulic.com

FINLAND

OEM Finland Oy
Phone: +358-207-499499
Fax: +358-207-499456
www.oem.fi
info@oem.fi

FRANCE

SUCO VSE France
Phone: +33 2 43 14 14 21
Fax: +33 2 43 14 14 25
www.sucovse.fr
info@sucovse.fr

GERMANY

SUCO Robert Scheuffele GmbH & Co. KG
Phone: +49-7142-597-0
Fax: +49-7142-980151
www.suco.de
info@suco.de

Ifaug GmbH
PLZ 33, 4, 5
Phone: +49-2151-300478
Fax: +49-2151-300684
ifaug@web.de

Kania & Edinger GmbH
PLZ: 30 – 32, 34, 37, 38
Phone: +49-5235-501580
Fax: +49-5235-5015825
www.kania-antriebstechnik.de
info@kania-antriebstechnik.de

Helmut Rossmannith GmbH
PLZ: 35, 36, 6, 7, 8, 90 – 97
Phone: +49-7161-30900
Fax: +49-7161-309090
www.rossmannith.de
info@rossmannith.de

SUKU Druck- und Temperaturmesstechnik GmbH
PLZ: 0, 1, 39, 98, 99
Phone: +49-37208-2717
Fax: +49-37208-61713
www.suku.de
contact@suku.de

GREECE

NRG System
Phone: +30-25310-83366
Fax: +30-25310-83367
www.nrgsystem.gr
info@nrgsystem.gr

HUNGARY

Megawatt Villamosipari Kft
Phone: +36-33-454000
Fax: +36-33-454494
www.megawatt.hu
megawatt@megawatt.hu

INDIA

NORTH INDIA
(Maharashtra, Chhattisgarh, Orissa und nördlich)

BEDA Flow Systems Pvt. Ltd.
Phone: +91-120-432 99 90
Fax: +91-120-4 08 00 22
www.bedaflow.com
info@bedaflow.com

SOUTH INDIA

Adroit Technologies
Phone: +91-9663395186
Fax: +91-1147619422
adroittechnology@gmail.com

INDONESIA

PT Surya Sarana Dinamika
Phone: +62-21-65835077 / 78
Fax: +62-21-65835079 / 80
www.suryasarana.com
sales@suryasarana.com

ISRAEL

Ilan & Gavish Automation Service Ltd.
Phone: +972-3-9221824
Fax: +972-3-9240761
www.ilan-gavish.co.il
asaf@ilan-gavish.com



ITALY

Ma.In.A. Srl
Phone: +39-02-55300732 / 762
Fax: +39-02-55300762
www.mainasrl.it
mainami@iol.it



JAPAN

Japan Flow Controls Co., Ltd.
Phone: +81-3-5209 3393
Fax: +81-3-5256 8838
www.flow-jfc.com
yamanaka@flow-jfc.com



KOREA

CONTINENTAL GLOBAL LTD.
Phone: +82-2-4221615
Fax: +82-2-4146977
www.suco.co.kr
info@suco.co.kr



MALAYSIA

Active Control Asiatech (M) Sdn Bhd
Phone: +603-777 31 633
Fax: +603-777 31 669
www.activecontrol.com.my
gary.aca@gmail.com



NETHERLANDS

Solar Nederland BV
Phone: +31-88-7652700
Fax: +31-72-5192790
www.solarnederland.nl
industrie@solarnederland.nl



NEW ZEALAND

ANZ Controls Pty. Ltd.
Phone: +64-3-3435904
Fax: +64-3-3435906
www.anzcontrols.com.au
sales@anzcontrols.com.au



NORWAY

OEM Automatic AS
Phone: +47-32-210500
Fax: +47-32-210501
www.oem.no
post@oem.no



POLAND

BIBUS Menos Sp. z o.o.
Phone: +48-58-6609570
Fax: +48-58-6617132
www.bibusmenos.pl
info@bibusmenos.pl



PORTUGAL

BIBUS Portugal, Lda
Phone: +351-22-906-50-50
Fax: +351-22-906-50-53
www.bibus.pt
info@bibus.pt



ROMANIA

BIBUS SES srl
Phone: +40-356-446500
Fax: +40-356-446660
www.bibus.ro
office@bibus.ro



RUSSIA

BIBUS o.o.o.
Phone: +7-812-3094151
Fax: +7-812-3094151
www.bibus.ru
info@bibus.ru



SWEDEN

OEM Automatic AB
Phone: +46-75-2424100
Fax: +46-75-2424210
www.oemautomatic.se
info@aut.oem.se



SINGAPORE



PHILIPPINES

Elshin International Pte Ltd
Phone: +65-6286 7707
Fax: +65-6747 2477
www.elshin.com
elshin@singnet.com.sg



SLOVAKIA

BIBUS SK, s.r.o.
Phone: +421-37-7777-957
Fax: +421-37-7777-969
www.bibus.sk
sale@bibus.sk



SLOVENIA

INOTEH d.o.o.
Phone: +386-2-6730134
Fax: +386-2-6652081
www.inoteh.si
info@inoteh.si



SOUTH AFRICA

Remag (Pty) Ltd.
Phone: +27-11-3155672
Fax: +27-11-3155570/1
eric.rehme@remag.co.za



SPAIN

BIBUS Spain, S.L.
Phone: +34-986 24 72 86
Fax: +34-986 20 92 47
www.bibus.es
info@bibus.es



SWITZERLAND

BIBUS AG
Phone: +41-44 877 50 11
Fax: +41-44 877 58 51
www.bibus.ch
info@bibus.ch



TAIWAN

Daybreak Int'l (Taiwan) Corp.
Phone: +886-2-88661234
Fax: +886-2-88661239
www.daybreak.com.tw
day111@ms23.hinet.net



THAILAND

CNS Universal Company Limited
Phone: +662-019-5581 /-5582
Fax: +662-019-5587
www.cns-universal.co.th
wichai@cns-universal.co.th



TURKEY

Mert Teknik Fabrika Malzemeleri Tic. ve San. A.Ş.
Phone: +90-216 526 43 40
Fax: +90-216 526 43 45
www.mert.com
info@mert.com



UK



IRELAND

OEM Automatic Ltd
Phone: +44-800-7313187,
+44-116-2849900
Fax: +44-116-2841721
www.oem.co.uk
information@uk.oem.se



UKRAINE

BIBUS Ukraine TOV
Phone: +380-44-5454404
Fax: +380-44-5455483
www.bibus.ua
info@bibus.ua



BAHRAIN



UNITED ARAB EMIRATES



KUWAIT



OMAN



QATAR



YEMEN

Synergies Tech
Phone: +971-4-4275069
Fax: +971-4-4324256
www.synergies-group.com
info@synergies-group.com



USA



CANADA

SUCO Technologies Inc.
Phone: +1-561-989-8499
Fax: +1-561-989-8816
www.suco-tech.com
info@suco-tech.com



VIETNAM

QUYNH ENGINEERING CORP.
Phone: +84-8-3771 5330
Fax: +84-8-3771 5320
www.quynh.vn
info@quynh.vn





www.suco.de

